



US00D824516S

(12) **United States Design Patent**
Ohashi

(10) **Patent No.:** **US D824,516 S**
(45) **Date of Patent:** **** Jul. 31, 2018**

(54) **FINGER GRIP FOR SYRINGE**
(71) Applicant: **Terumo Kabushiki Kaisha**,
Shibuya-ku, Tokyo (JP)
(72) Inventor: **Hiroataka Ohashi**, Tokyo (JP)
(73) Assignee: **Terumo Kabushiki Kaisha**,
Shibuya-ku, Tokyo (JP)
(**) Term: **15 Years**

D660,418 S * 5/2012 Kuczek D24/130
D777,325 S * 1/2017 Aneas D24/130
D790,691 S * 6/2017 Davis D24/130
D793,552 S * 8/2017 Schiller A61M 5/3137
D24/130
D794,185 S * 8/2017 Dolk D24/130
D797,282 S * 9/2017 Dolk D24/130
D798,444 S * 9/2017 Darras D24/130
D799,034 S * 10/2017 Nguyen D24/130
D800,900 S * 10/2017 Darras D24/130
D812,223 S * 3/2018 Evans D24/130
2013/0237928 A1 * 9/2013 Fisher A61M 5/158
604/263

(21) Appl. No.: **29/597,568**

(22) Filed: **Mar. 17, 2017**

(30) **Foreign Application Priority Data**

Sep. 30, 2016 (JP) 2016-021153

(51) **LOC (11) Cl.** **24-02**

(52) **U.S. Cl.**
USPC **D24/130**

(58) **Field of Classification Search**
USPC D24/127–131, 112–114, 133, 186;
606/181, 185; 604/264, 523–528, 272,
604/187, 158, 164.01–164.11, 181, 184,
604/227; 600/101, 139, 143;
128/200.24, 207.14, 207.15
CPC A61M 25/00; A61M 39/00; A61M 27/00;
A61M 25/0043; A61M 25/0067; A61M
25/0097; A61F 2/958
See application file for complete search history.

(56) **References Cited**

U.S. PATENT DOCUMENTS

5,667,495 A * 9/1997 Bitdinger A61M 5/315
604/220
D576,276 S * 9/2008 Osypka D24/130

* cited by examiner

Primary Examiner — David Muller

(74) *Attorney, Agent, or Firm* — Banner & Witcoff, Ltd.

(57) **CLAIM**

The ornamental design for finger grip for syringe, as shown and described.

DESCRIPTION

FIG. 1 is a front perspective view of finger grip for syringe showing my new design;
FIG. 2 is a bottom perspective view thereof;
FIG. 3 is a front view thereof;
FIG. 4 is a rear view thereof;
FIG. 5 is a left side view thereof;
FIG. 6 is a right side view thereof;
FIG. 7 is a top view thereof;
FIG. 8 is a bottom view thereof; and,
FIG. 9 is a front view showing usage thereof.
The dash dot lines immediately adjacent to the claimed areas in the views represent the boundaries of the claimed design. The dashed lines in the figures illustrate the portions of the design that form no part of the claimed design. None of the broken lines form any part of the claimed design.

1 Claim, 4 Drawing Sheets

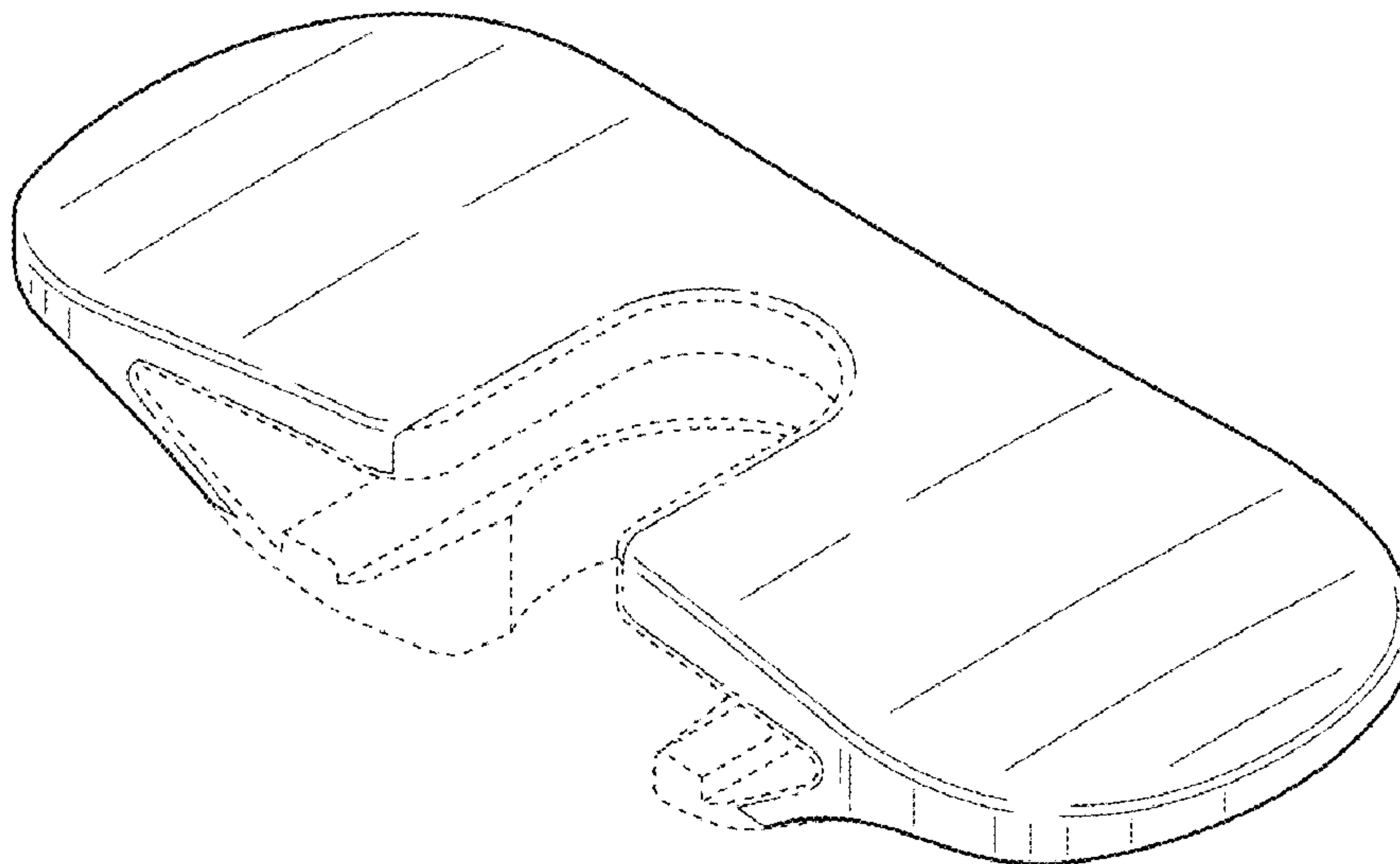


Fig. 1

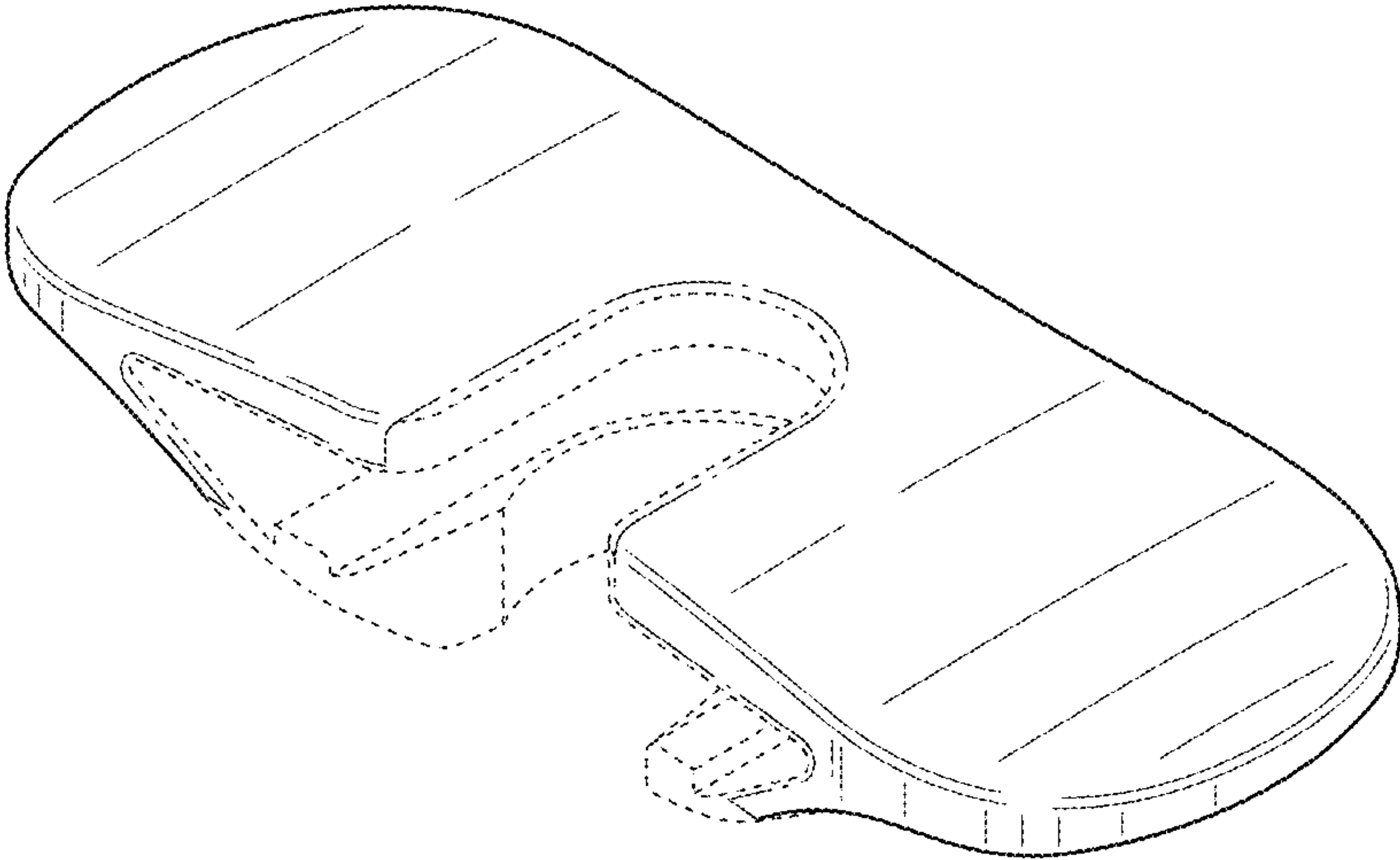


Fig. 2

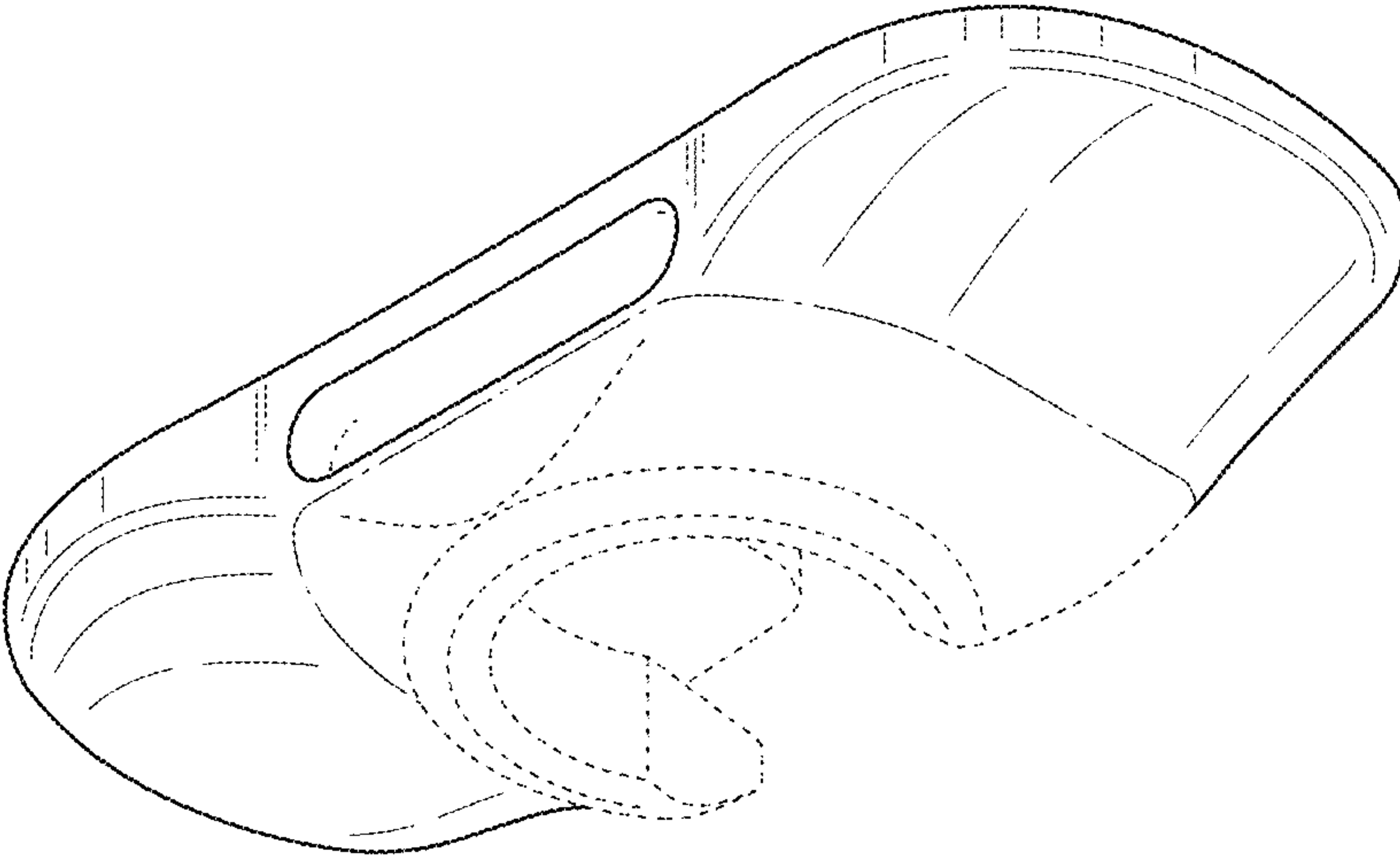


Fig. 3

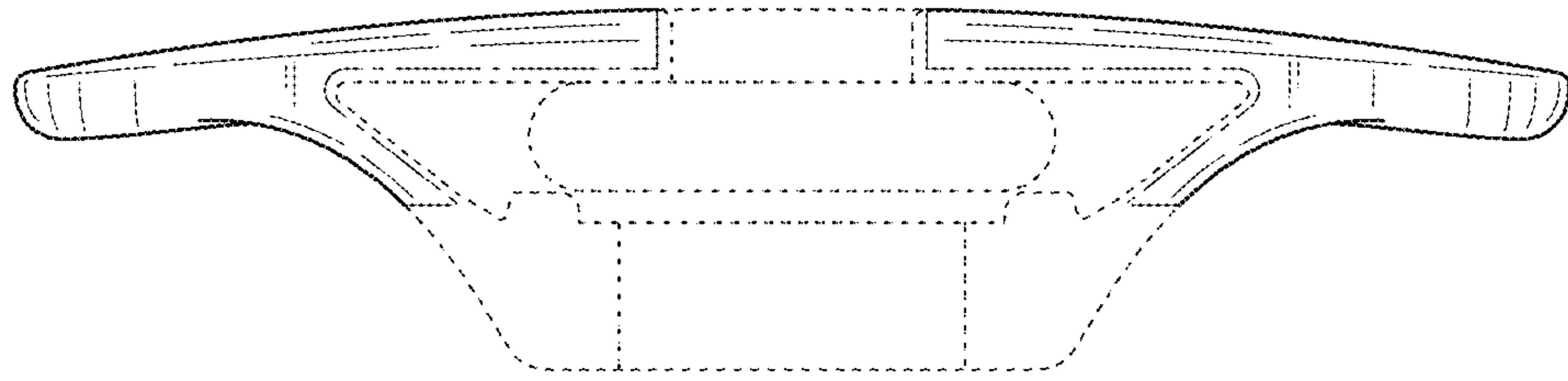


Fig. 4

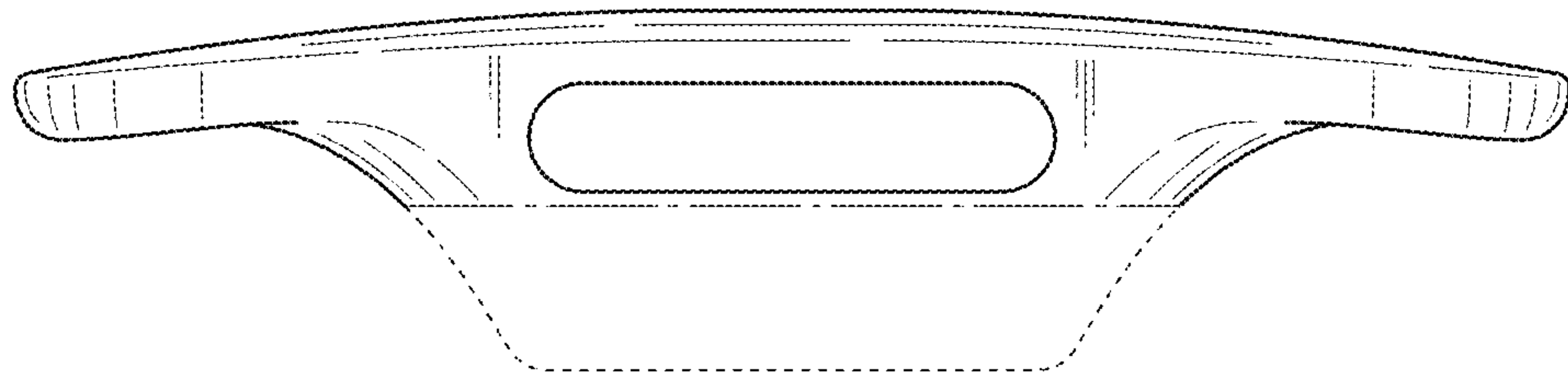


Fig. 5

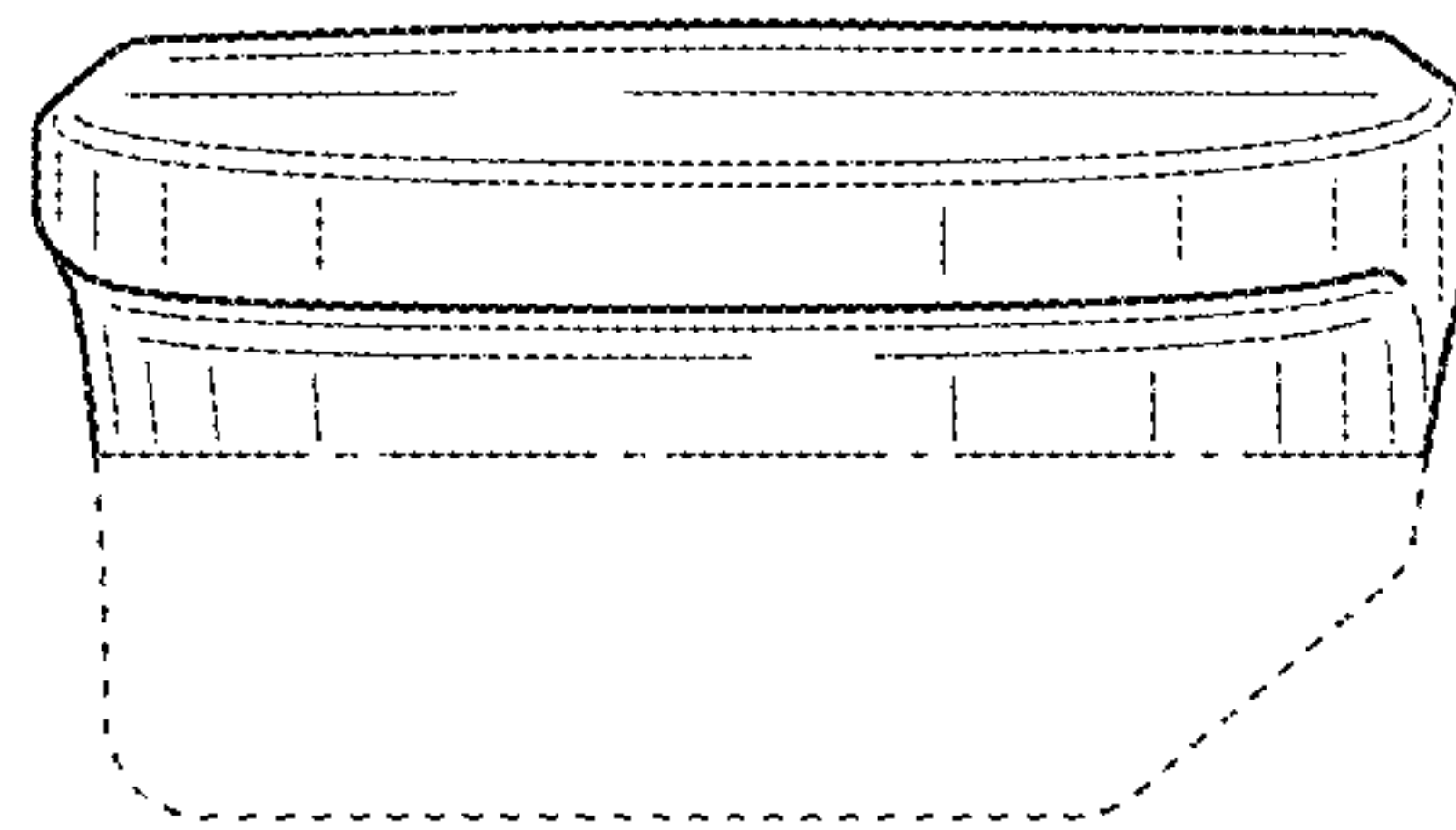


Fig. 6

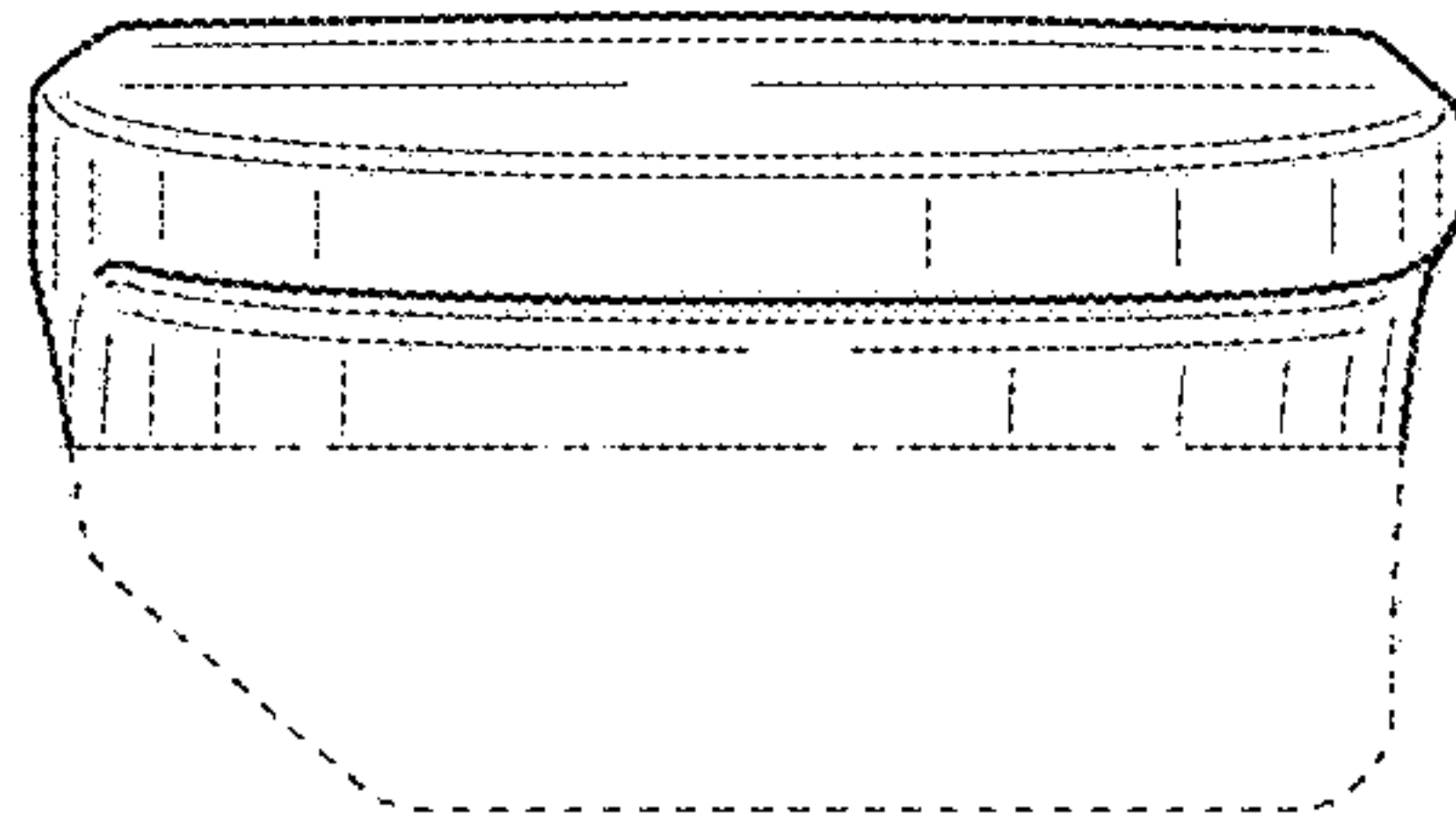


Fig. 7

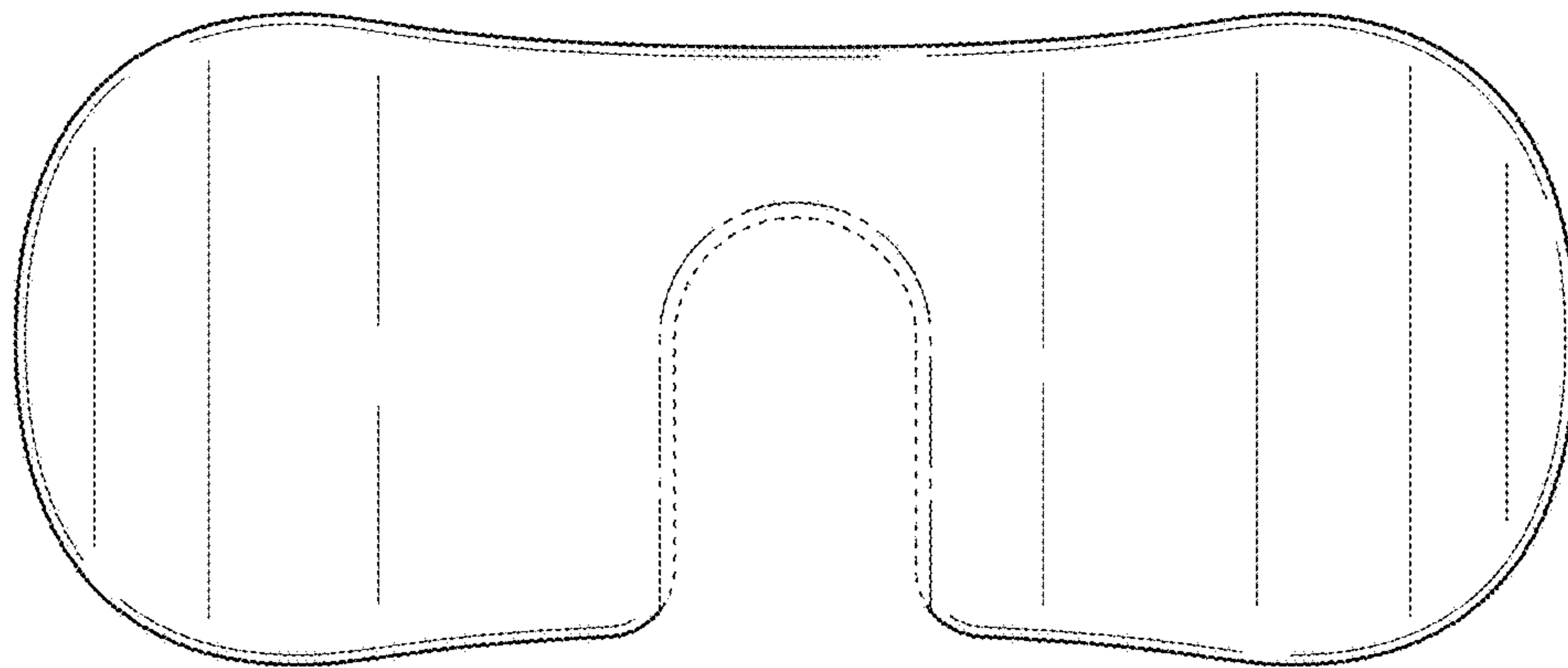


Fig. 8

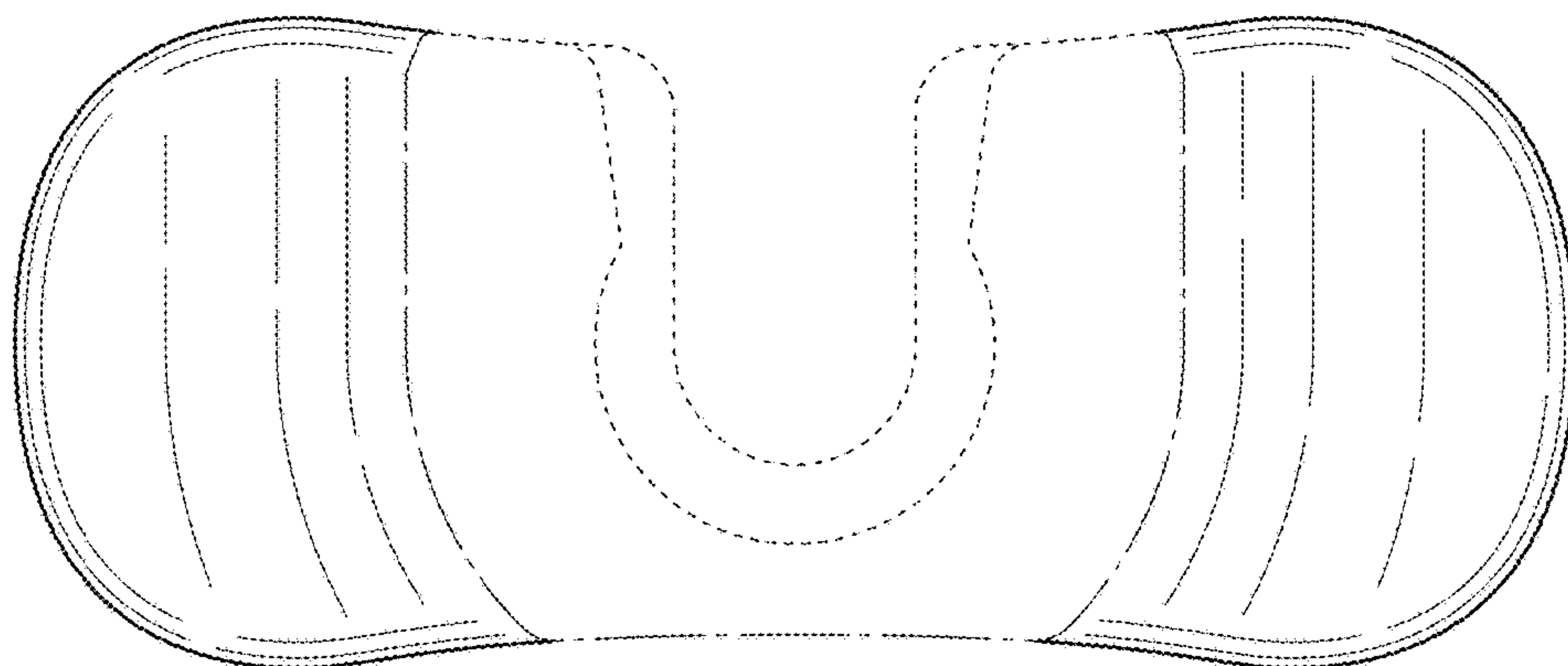


Fig. 9

