



US00D824511S

(12) **United States Design Patent** (10) **Patent No.:** **US D824,511 S**  
**Prentice et al.** (45) **Date of Patent:** **\*\* Jul. 31, 2018**

(54) **FRAME OF A PATIENT INTERFACE**

(56) **References Cited**

(71) Applicant: **Fisher & Paykel Healthcare Limited**,  
Auckland (NZ)

U.S. PATENT DOCUMENTS

(72) Inventors: **Craig Robert Prentice**, Auckland (NZ);  
**Bernard Tsz Lun Ip**, Auckland (NZ);  
**Richard Boyes**, Auckland (NZ);  
**Thomas Mark Richardson**, Auckland  
(NZ); **Gareth McDermott**, Auckland  
(NZ); **Jonathan Mark Downey**,  
Auckland (NZ); **Matthew Roger**  
**Stephenson**, Auckland (NZ)

4,167,185 A 9/1979 Lewis  
6,374,826 B1 4/2002 Gunaratnam et al.  
6,467,483 B1 10/2002 Kopacko et al.  
D476,732 S 7/2003 Smart  
6,651,663 B2 11/2003 Barnett et al.  
D486,226 S 2/2004 Guney et al.  
D549,322 S 8/2007 Stallard et al.  
D555,785 S 11/2007 McAuley et al.  
D557,411 S 12/2007 Smart et al.  
D558,334 S 12/2007 Stallard et al.

(Continued)

(73) Assignee: **Fisher & Paykel Healthcare Limited**,  
Auckland (NZ)

FOREIGN PATENT DOCUMENTS

(\*\*) Term: **15 Years**

EP 1258266 11/2002  
NZ 551715 2/2011

(Continued)

(21) Appl. No.: **29/581,830**

*Primary Examiner* — Richard E Chilcot

(22) Filed: **Oct. 21, 2016**

(74) *Attorney, Agent, or Firm* — Knobbe, Martens, Olson  
& Bear, LLP.

**Related U.S. Application Data**

(63) Continuation of application No. 29/472,124, filed on  
Nov. 8, 2013, now Pat. No. Des. 770,035, which is a  
continuation of application No. 29/401,929, filed on  
Sep. 16, 2011, now Pat. No. Des. 693,459.

(51) **LOC (11) Cl.** ..... **29-02**

(52) **U.S. Cl.**  
USPC ..... **D24/110.1**  
CPC ..... **A61M 16/06** (2013.01)

(58) **Field of Classification Search**  
USPC ..... D24/110–110.6; 128/205.25,  
128/206.12–206.28, 207.11–207.17  
CPC ..... A61M 16/06; A61M 16/0633; A61M  
16/0616; Y10T 29/49826; A62B 18/08;  
B23P 11/00

See application file for complete search history.

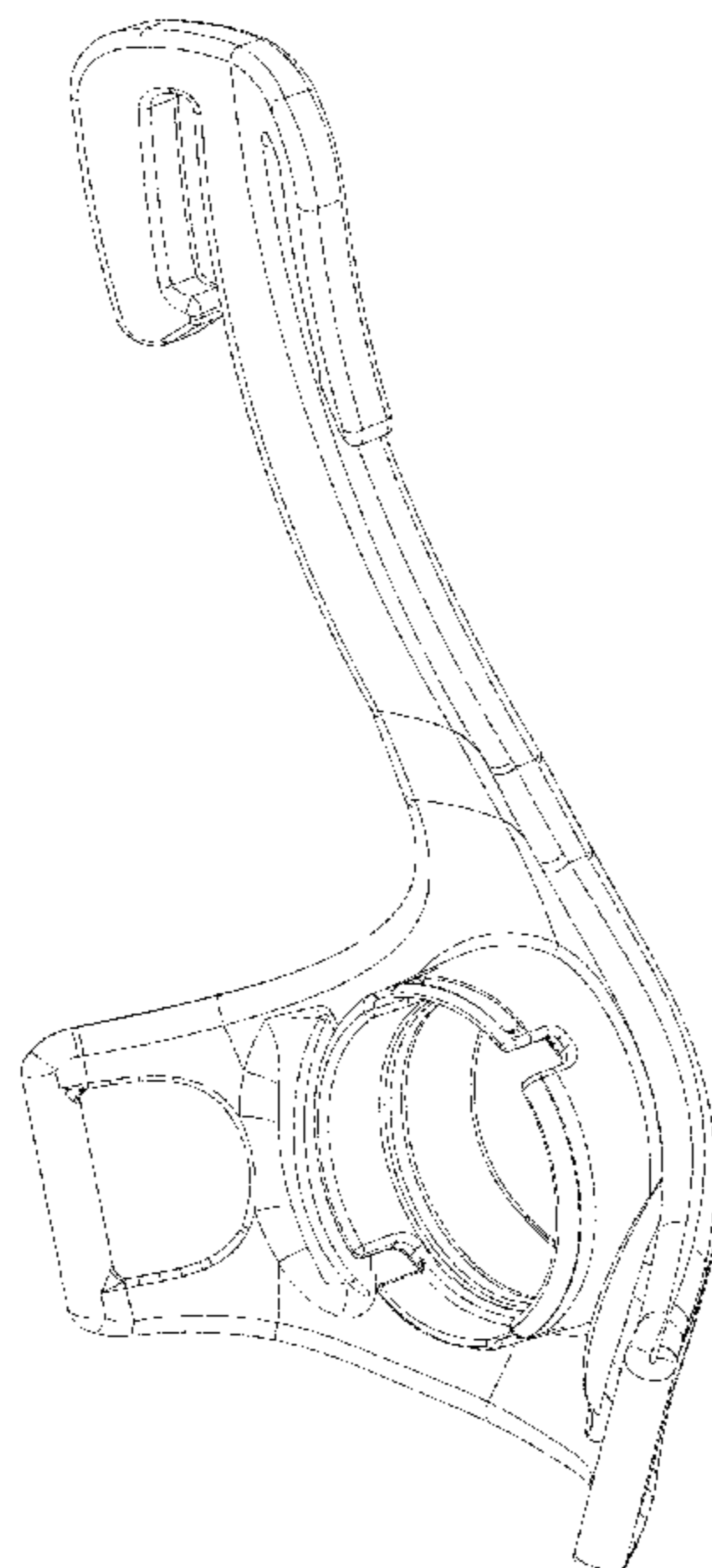
(57) **CLAIM**

The ornamental design for a frame of a patient interface, as  
shown and described.

**DESCRIPTION**

FIG. 1 is a rear perspective view of a frame;  
FIG. 2 is a left side elevational view of the frame of FIG. 1;  
FIG. 3 is a right side elevational view of the frame of FIG.  
1;  
FIG. 4 is a front elevational view of the frame of FIG. 1;  
FIG. 5 is a rear perspective view of the frame of FIG. 1;  
FIG. 6 is a top elevational view of the frame of FIG. 1; and,  
FIG. 7 is a bottom elevational view of the frame of FIG. 1.

**1 Claim, 6 Drawing Sheets**



(56)

**References Cited**

U.S. PATENT DOCUMENTS

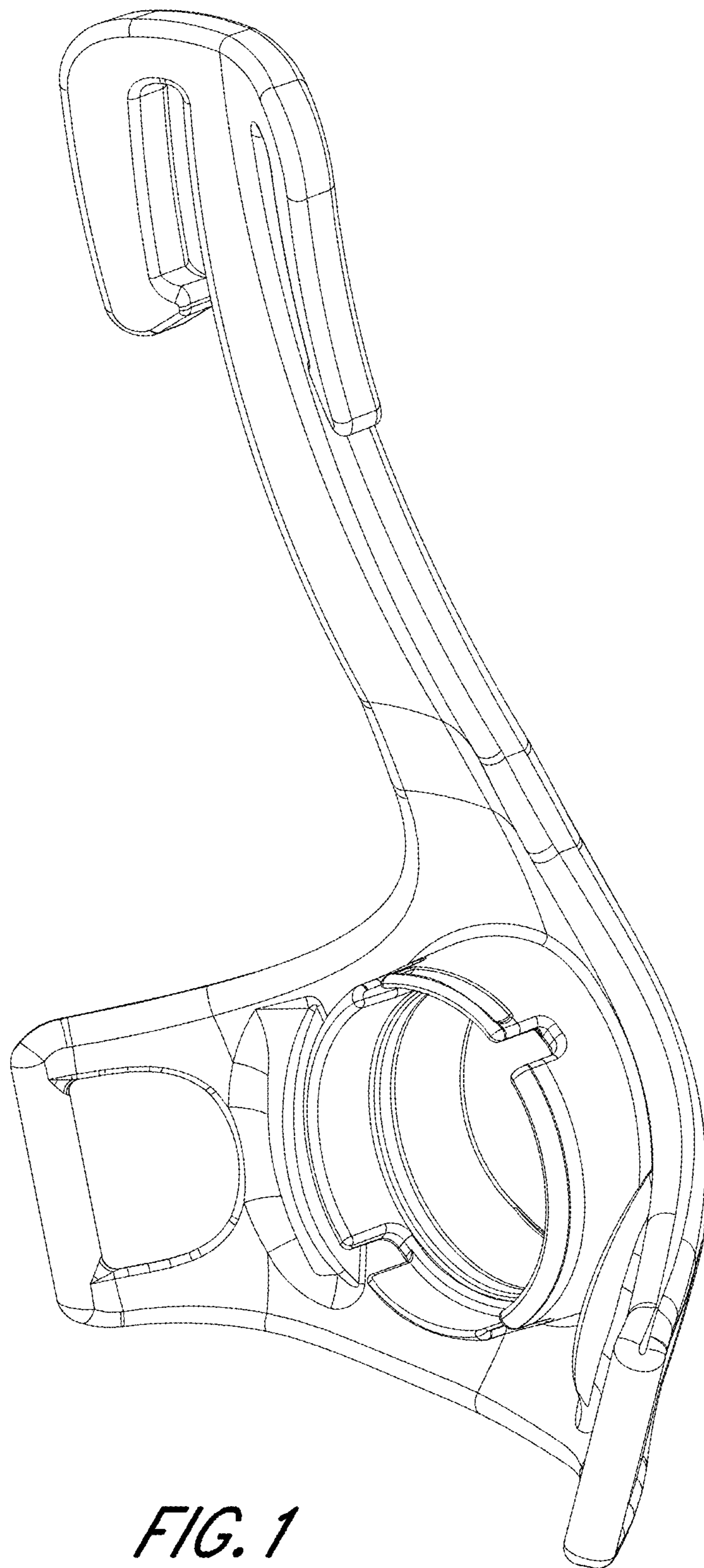
D582,546 S 12/2008 Fujiura et al.  
 D583,930 S 12/2008 McAuley et al.  
 D586,458 S 2/2009 Kooij et al.  
 D586,906 S 2/2009 Stallard et al.  
 7,523,754 B2 4/2009 Lithgow et al.  
 D595,841 S 7/2009 McAuley et al.  
 D597,661 S 8/2009 Reid et al.  
 7,665,464 B2 2/2010 Kopacko et al.  
 D612,483 S 3/2010 Chang  
 D612,932 S 3/2010 Davidson et al.  
 D614,763 S 4/2010 Maurer et al.  
 D624,642 S 9/2010 Collazo et al.  
 7,827,990 B1 11/2010 Melidis et al.  
 7,861,718 B2 1/2011 Janbakhsh et al.  
 D639,419 S 6/2011 Eves et al.  
 D639,932 S 6/2011 D'Souza et al.  
 D645,955 S 9/2011 Kooij et al.  
 D653,328 S 1/2012 Eves et al.  
 D665,494 S 8/2012 Stallard et al.

D693,459 S 11/2013 Prentice  
 D706,413 S 6/2014 Veliss  
 D716,505 S 10/2014 Wu  
 D716,506 S 10/2014 Wu  
 D740,935 S 10/2015 Cullen  
 D754,328 S \* 4/2016 Bowsher ..... D24/110.1  
 D770,035 S \* 10/2016 Prentice ..... D24/110.1  
 D794,772 S \* 8/2017 Cullen ..... D24/110.4  
 2007/0215161 A1 9/2007 Frater et al.  
 2007/0267017 A1 11/2007 McAuley et al.  
 2008/0110464 A1 5/2008 Davidson et al.  
 2010/0122701 A1 5/2010 Gunaratnam et al.

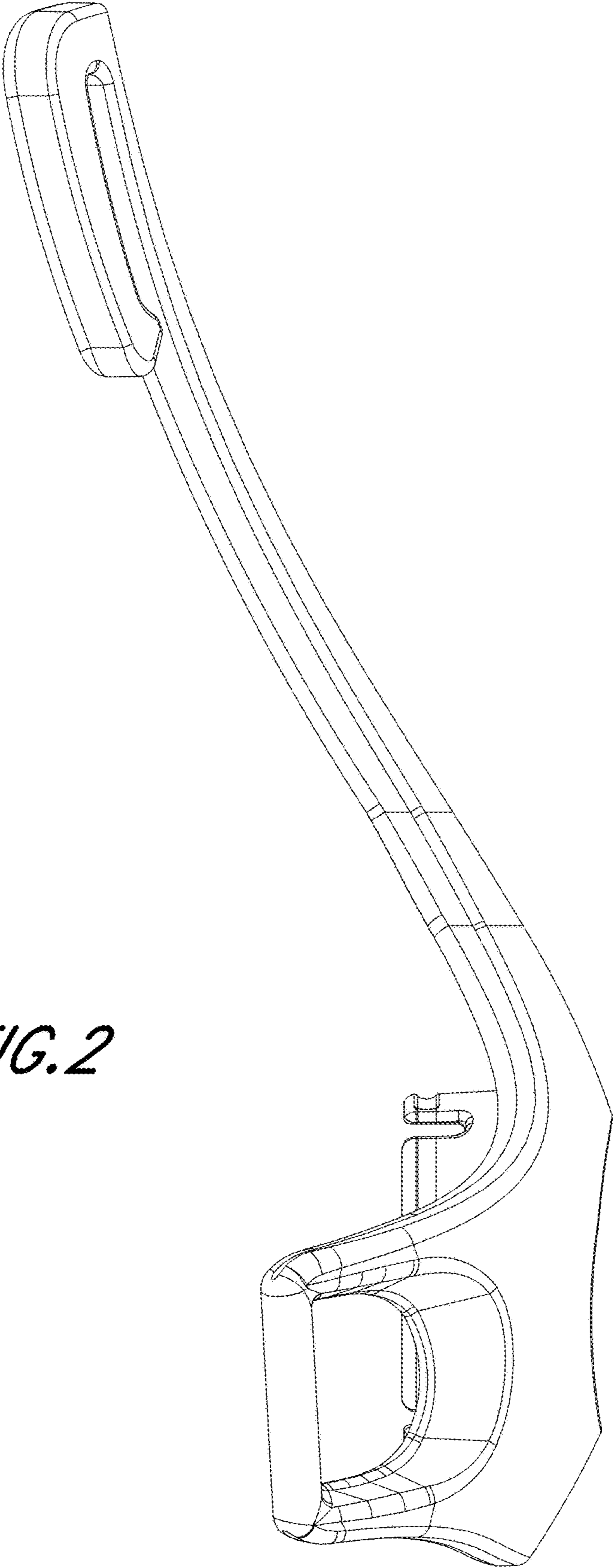
FOREIGN PATENT DOCUMENTS

WO WO 2001/32250 5/2001  
 WO WO 2005/094928 10/2005  
 WO WO 2005/123166 12/2005  
 WO WO 2006/074513 7/2006  
 WO WO 2010/009877 1/2010  
 WO WO 2010/135785 12/2010

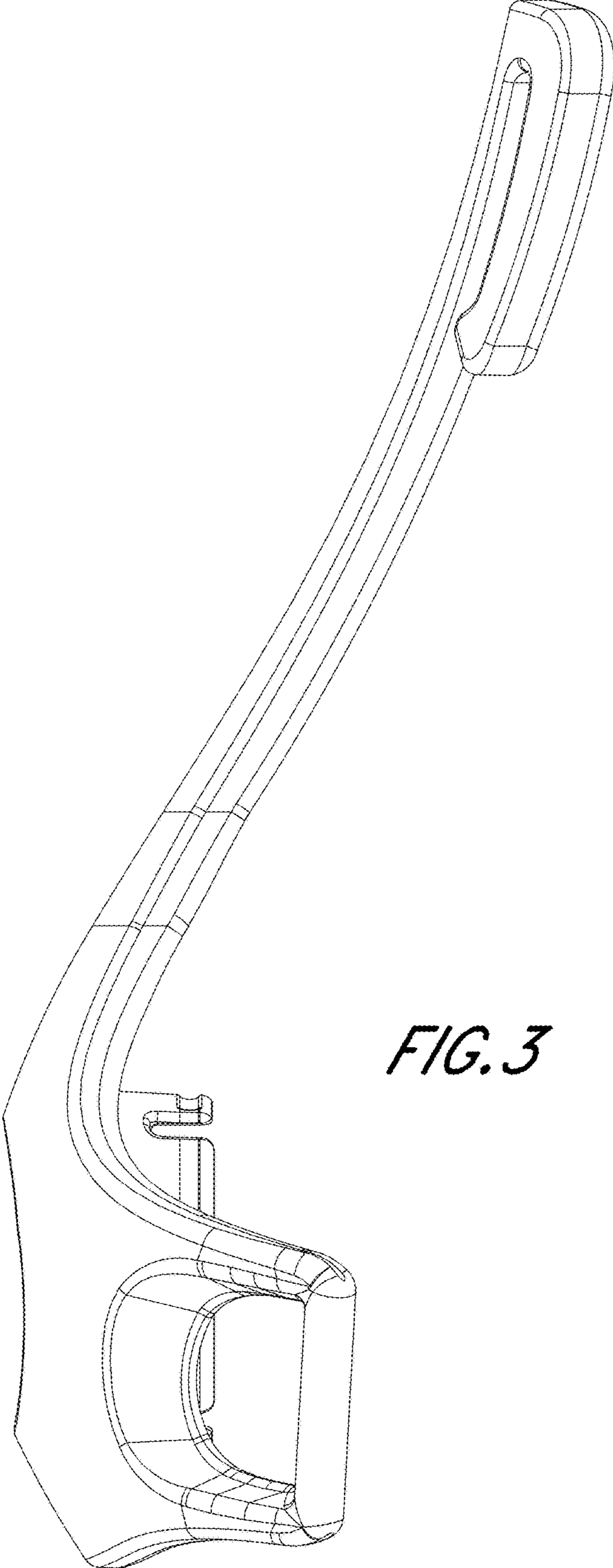
\* cited by examiner



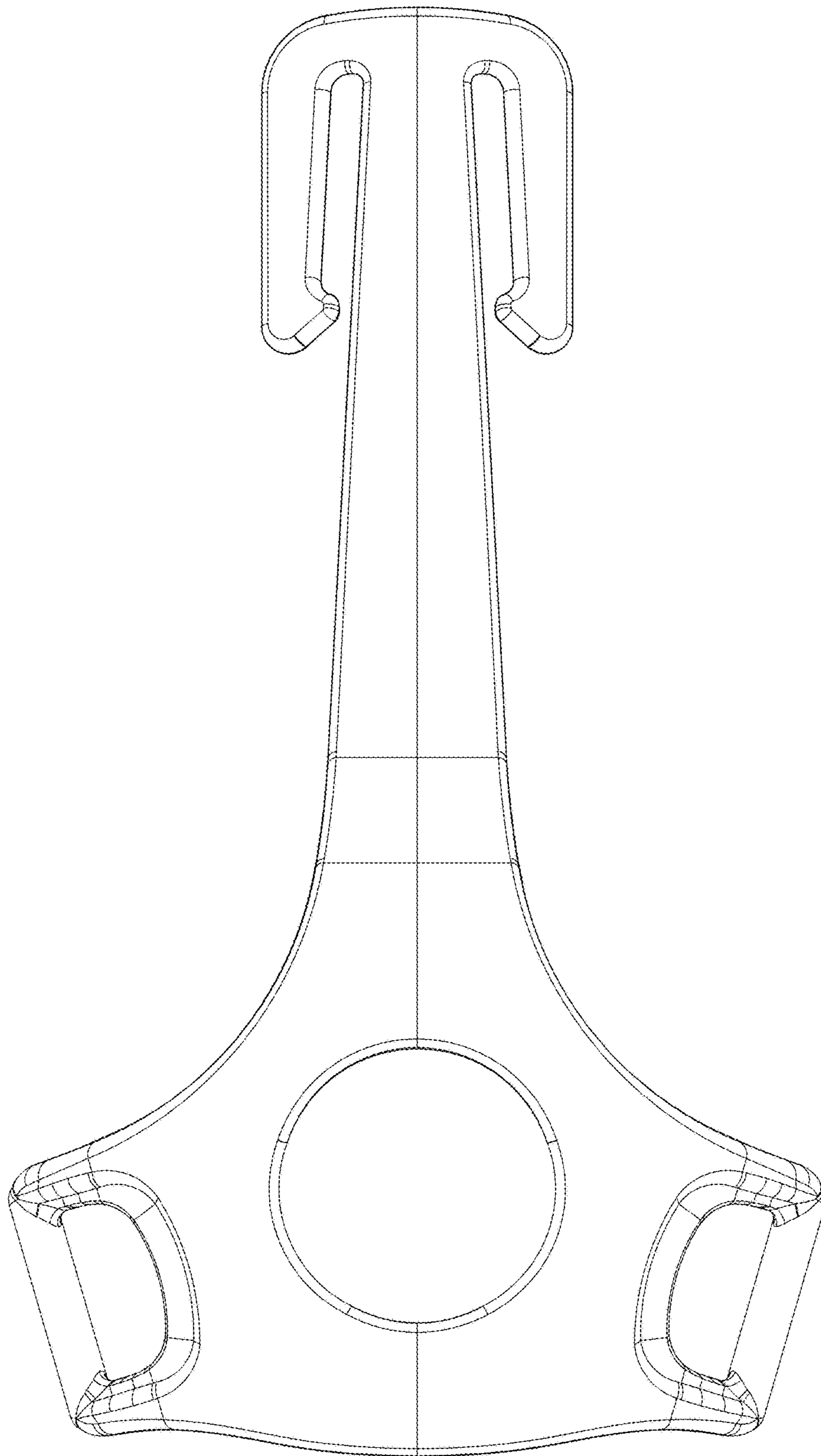
*FIG. 1*



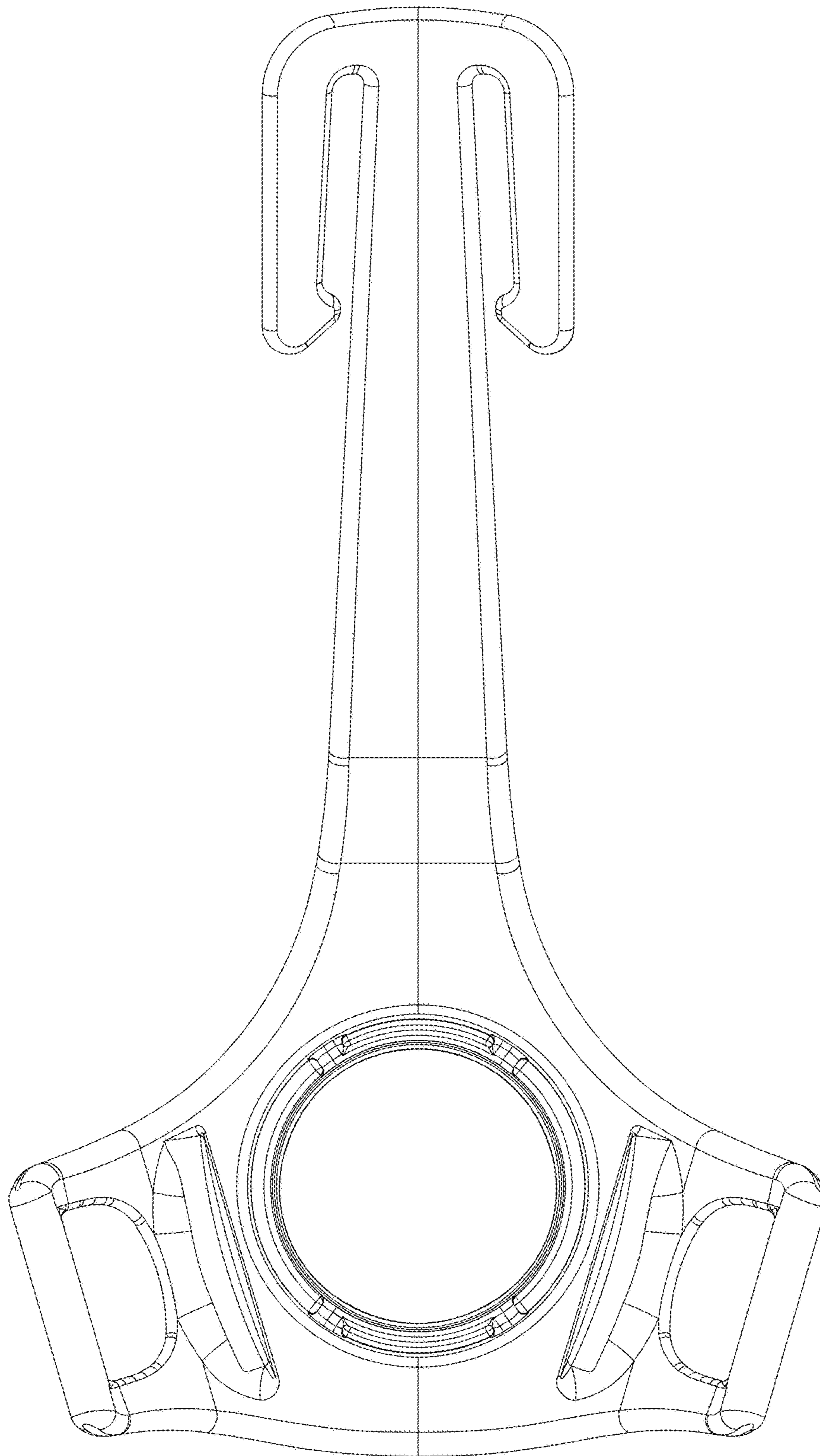
*FIG. 2*



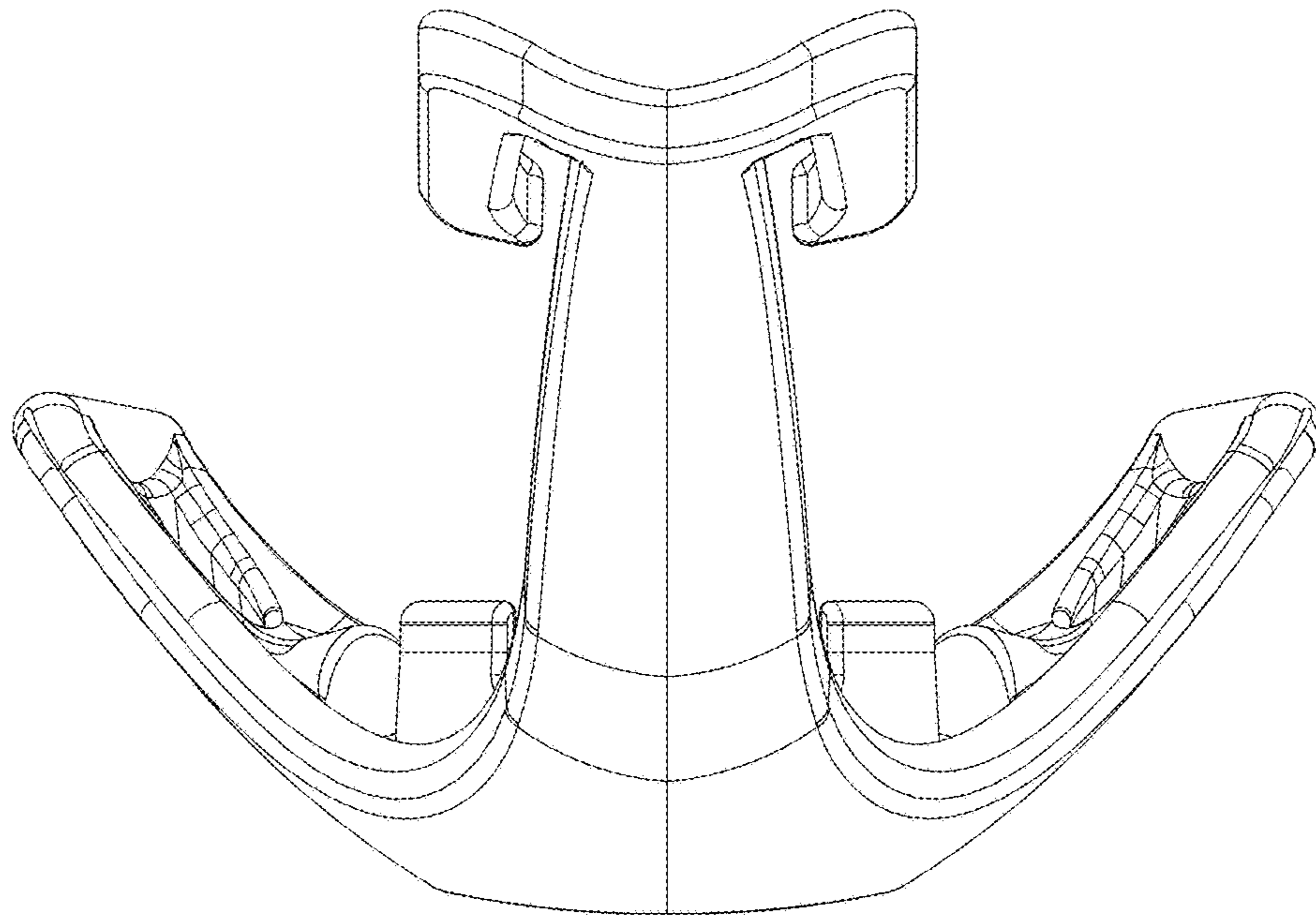
*FIG. 3*



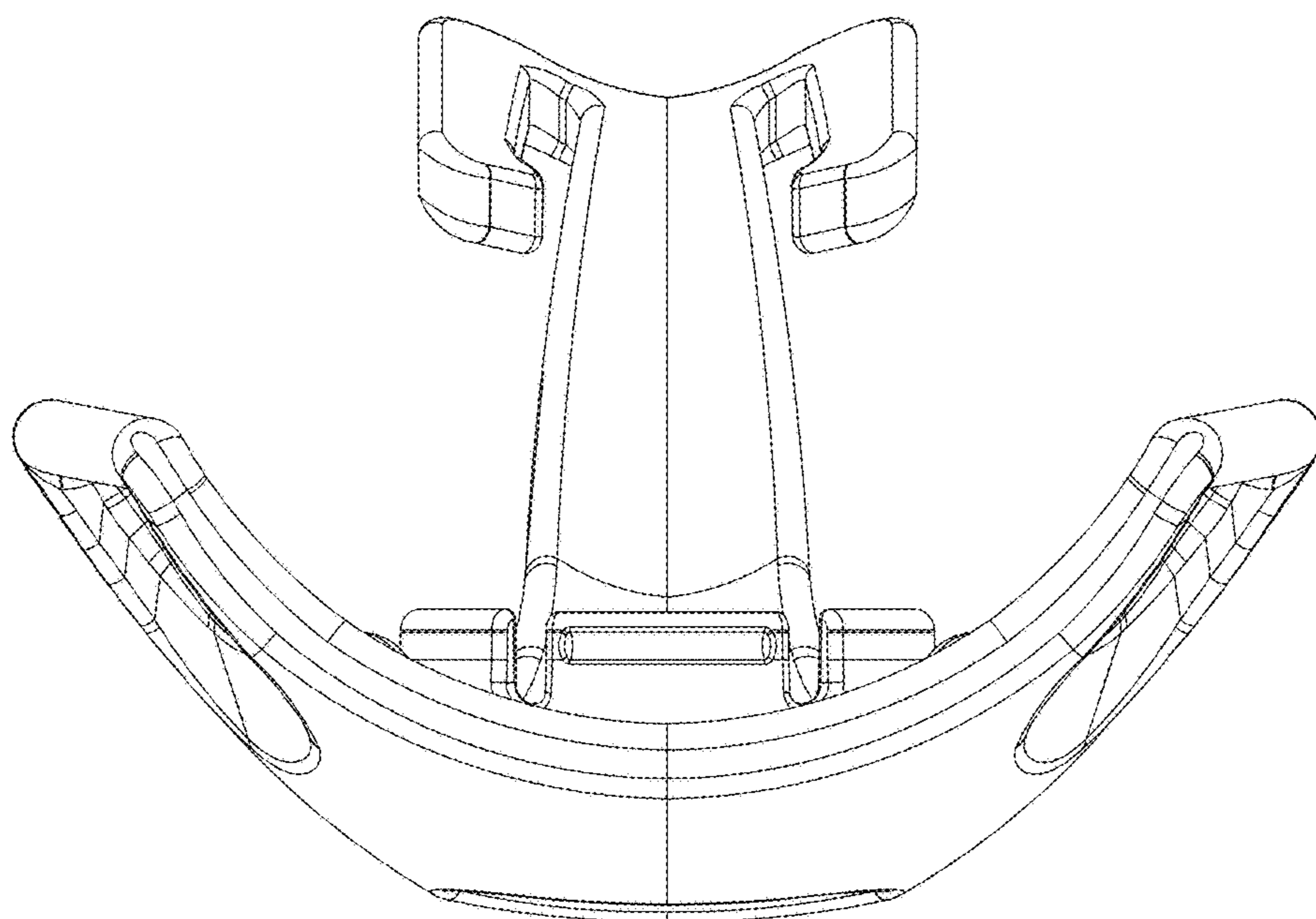
*FIG. 4*



*FIG. 5*



*FIG. 6*



*FIG. 7*