



US00D824506S

(12) **United States Design Patent** (10) **Patent No.:** **US D824,506 S**
Umholtz et al. (45) **Date of Patent:** **** Jul. 31, 2018**

(54) **FILTER HOLDER**
(71) Applicant: **Helen of Troy Limited**, Belleville, St. Michael (BB)
(72) Inventors: **Mason Umholtz**, Brooklyn, NY (US); **Noah Pentelovitch**, New York, NY (US)
(73) Assignee: **Helen of Troy Limited**, St. Michael (BB)
(**) Term: **15 Years**
(21) Appl. No.: **29/597,466**
(22) Filed: **Mar. 17, 2017**
(51) **LOC (11) Cl.** **23-04**
(52) **U.S. Cl.**
USPC **D23/365**
(58) **Field of Classification Search**
USPC D23/209, 341, 358, 363-365; D15/5
CPC F02M 35/04; F02M 35/10; F02M 35/024;
B01D 46/0002; B01D 46/10
See application file for complete search history.

(56) **References Cited**
U.S. PATENT DOCUMENTS
D325,077 S * 3/1992 Kearnes D23/366
D450,826 S * 11/2001 Song D23/365
D474,836 S * 5/2003 Chang D23/365
7,135,051 B2 * 11/2006 Baldinger A47L 5/24
55/337

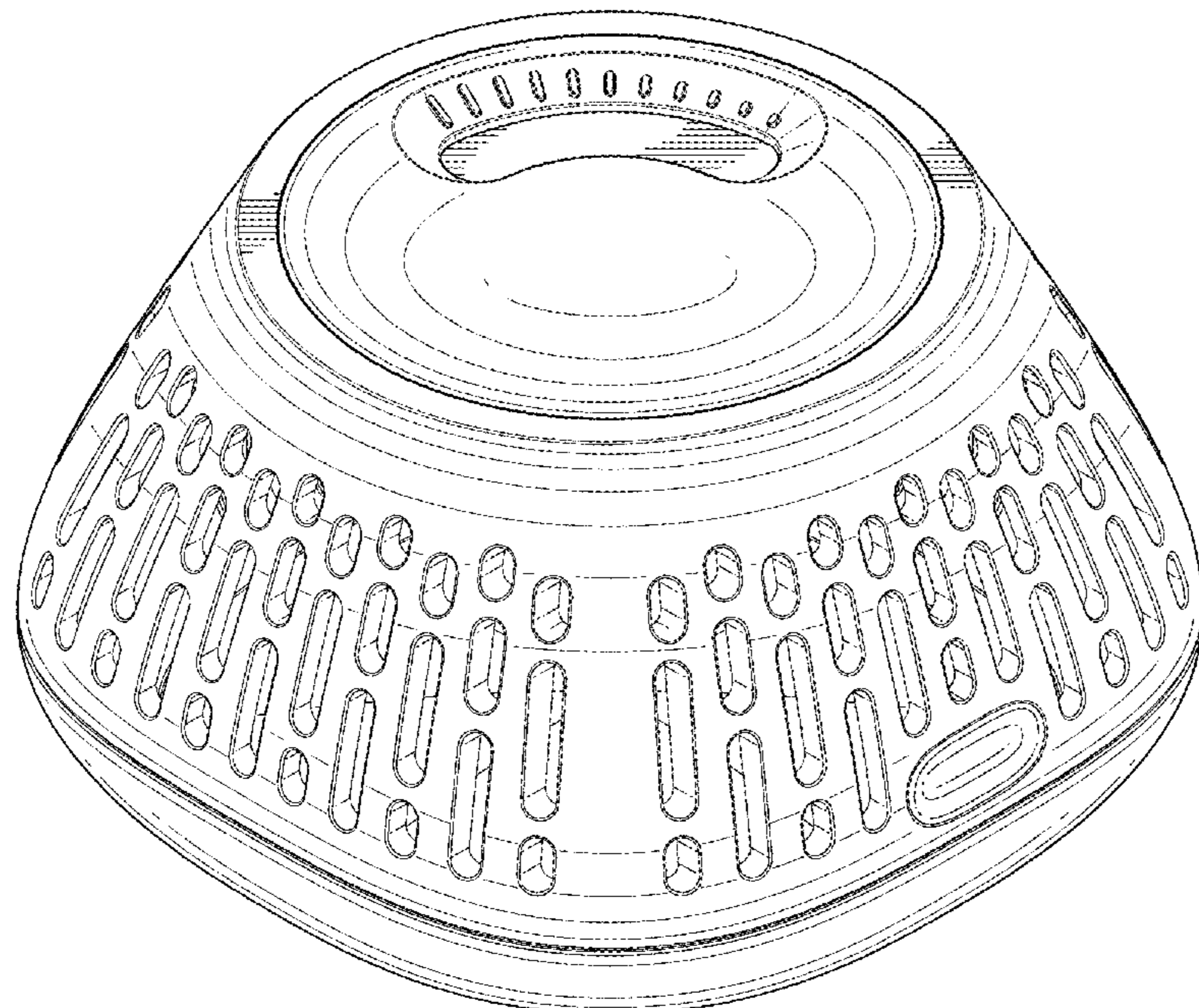
D619,620 S * 7/2010 Mayer D15/5
D624,639 S * 9/2010 Dilorenzo D23/365
D666,707 S * 9/2012 Eikhoff D23/393
D745,652 S * 12/2015 Berkman D23/411
D800,883 S * 10/2017 Trask D23/365
2015/0204282 A1 * 7/2015 Merritt B01D 46/0023
55/482
2016/0250578 A1 * 9/2016 Lee B01D 50/002
55/333

* cited by examiner
Primary Examiner — Brandon M Rosati
Assistant Examiner — John A Voytek
(74) *Attorney, Agent, or Firm* — Rankin, Hill & Clark LLP

(57) **CLAIM**
The ornamental design for a filter holder, as shown and described.

DESCRIPTION
FIG. 1 is a first upper perspective view of a filter holder; FIG. 2 is a second upper perspective view thereof; FIG. 3 is a lower perspective view thereof; FIG. 4 is a front elevation view thereof; FIG. 5 is a rear elevation view thereof; FIG. 6 is a right side elevation view thereof; FIG. 7 is a left side elevation view thereof; FIG. 8 is a top plan view thereof; and, FIG. 9 is a bottom plan view thereof.

1 Claim, 9 Drawing Sheets



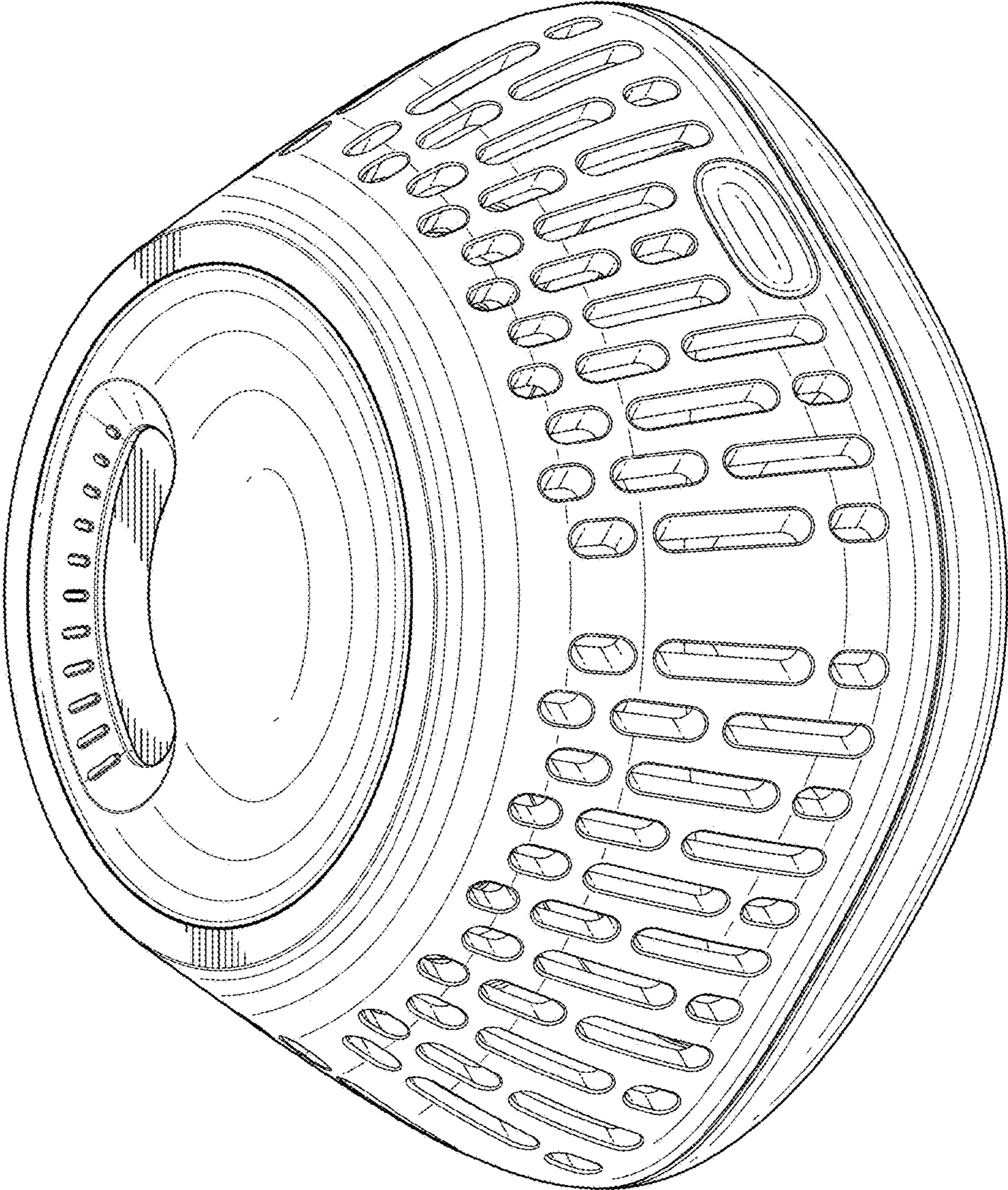


FIG. 1

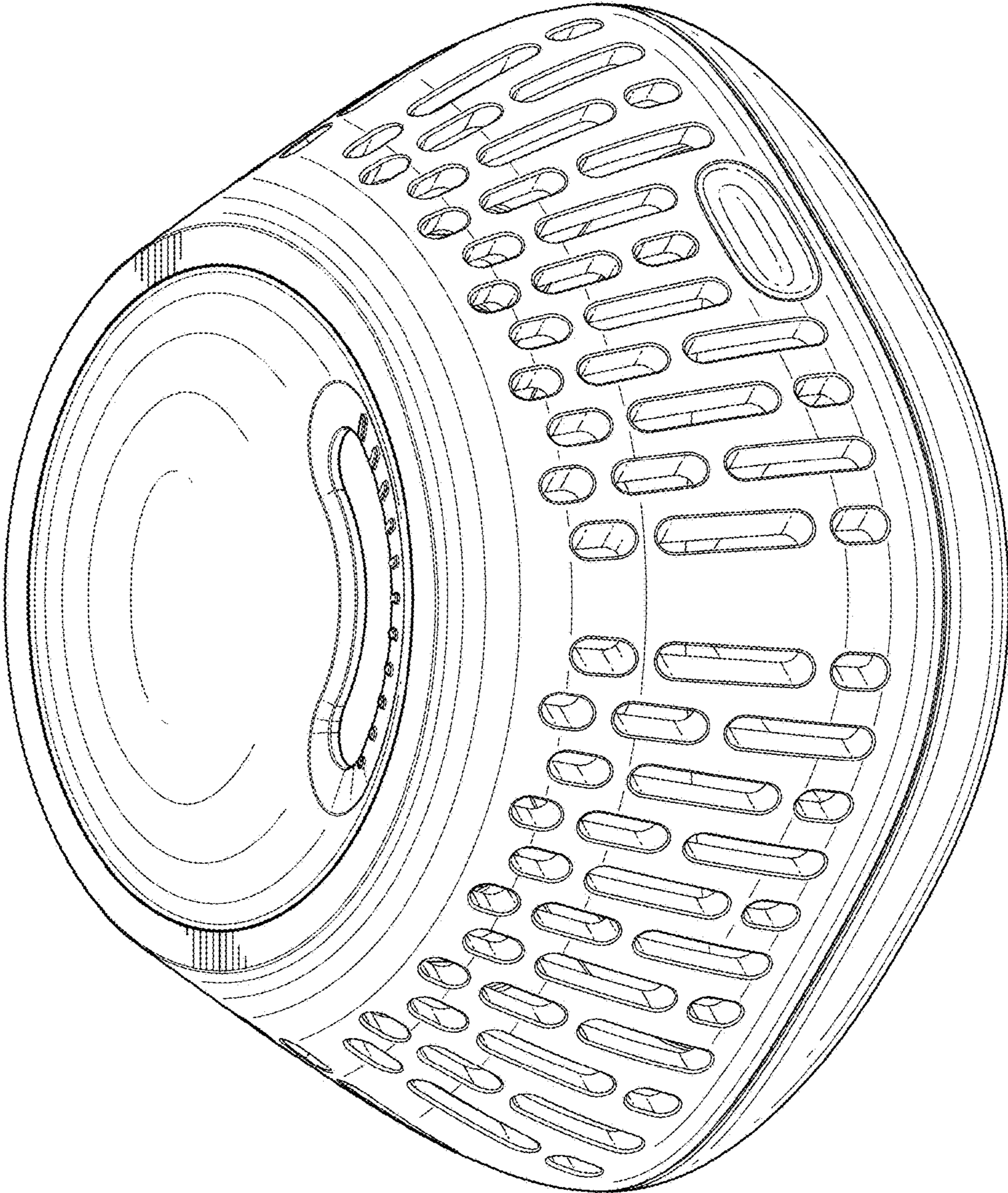


FIG. 2

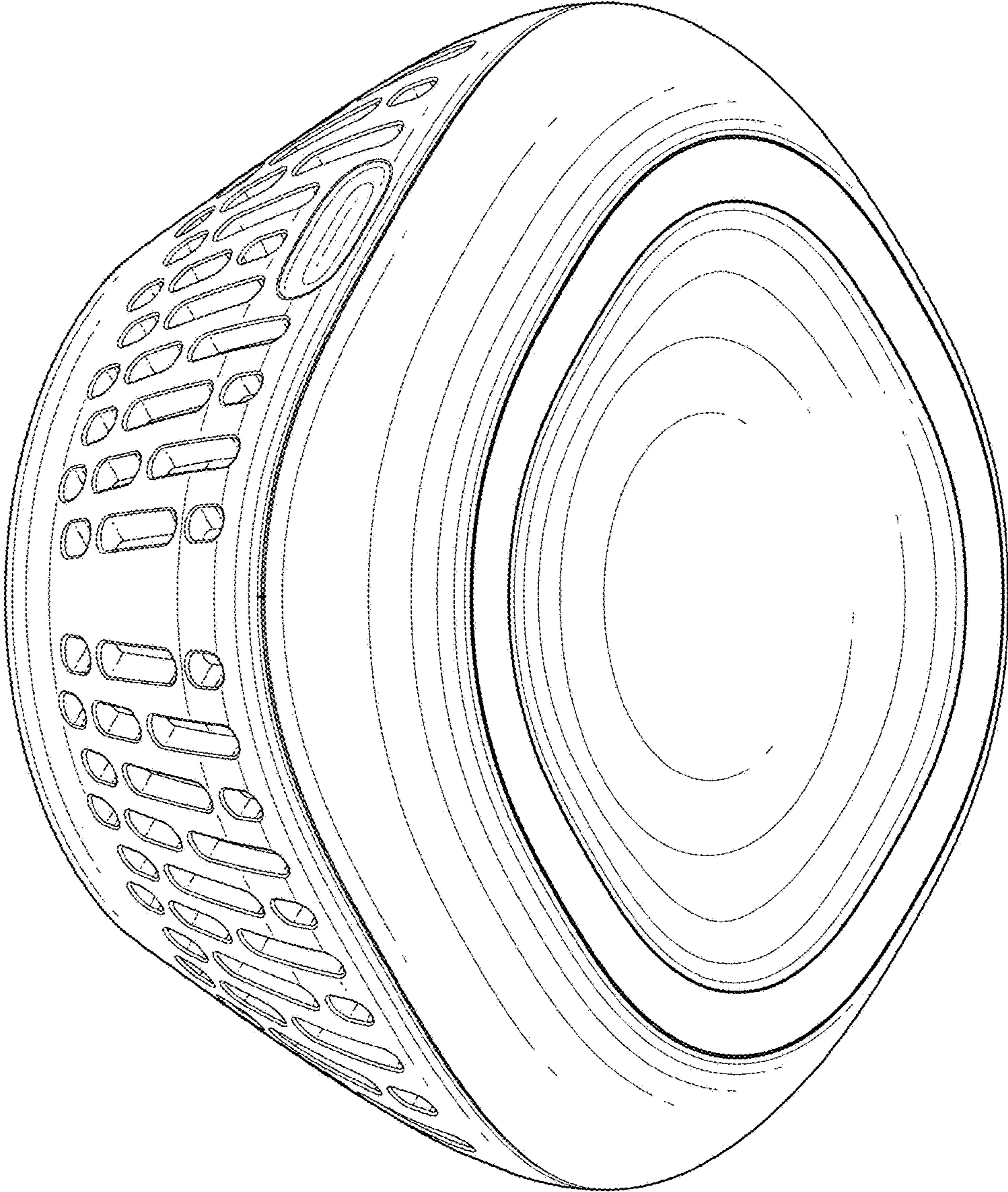


FIG.3

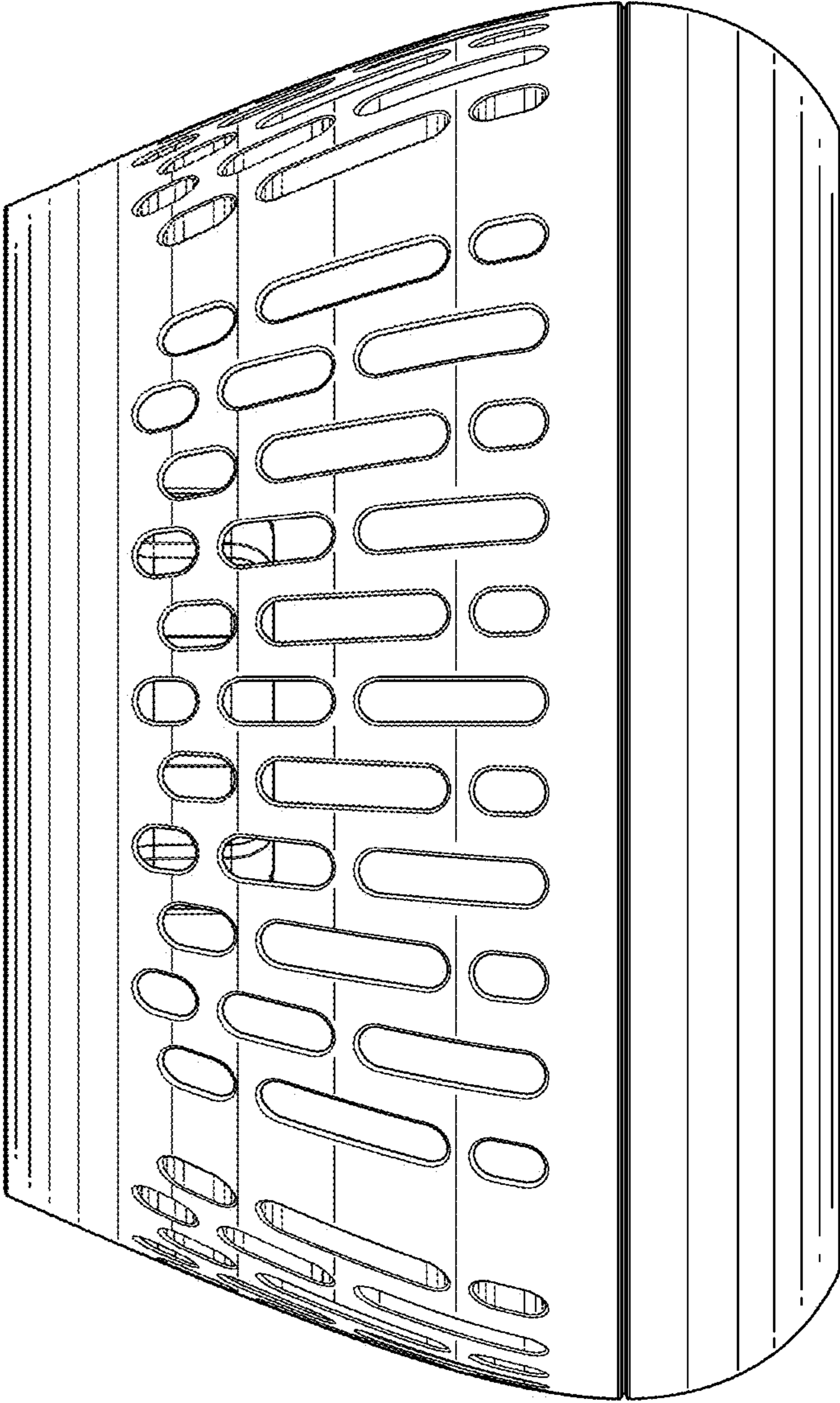


FIG. 4

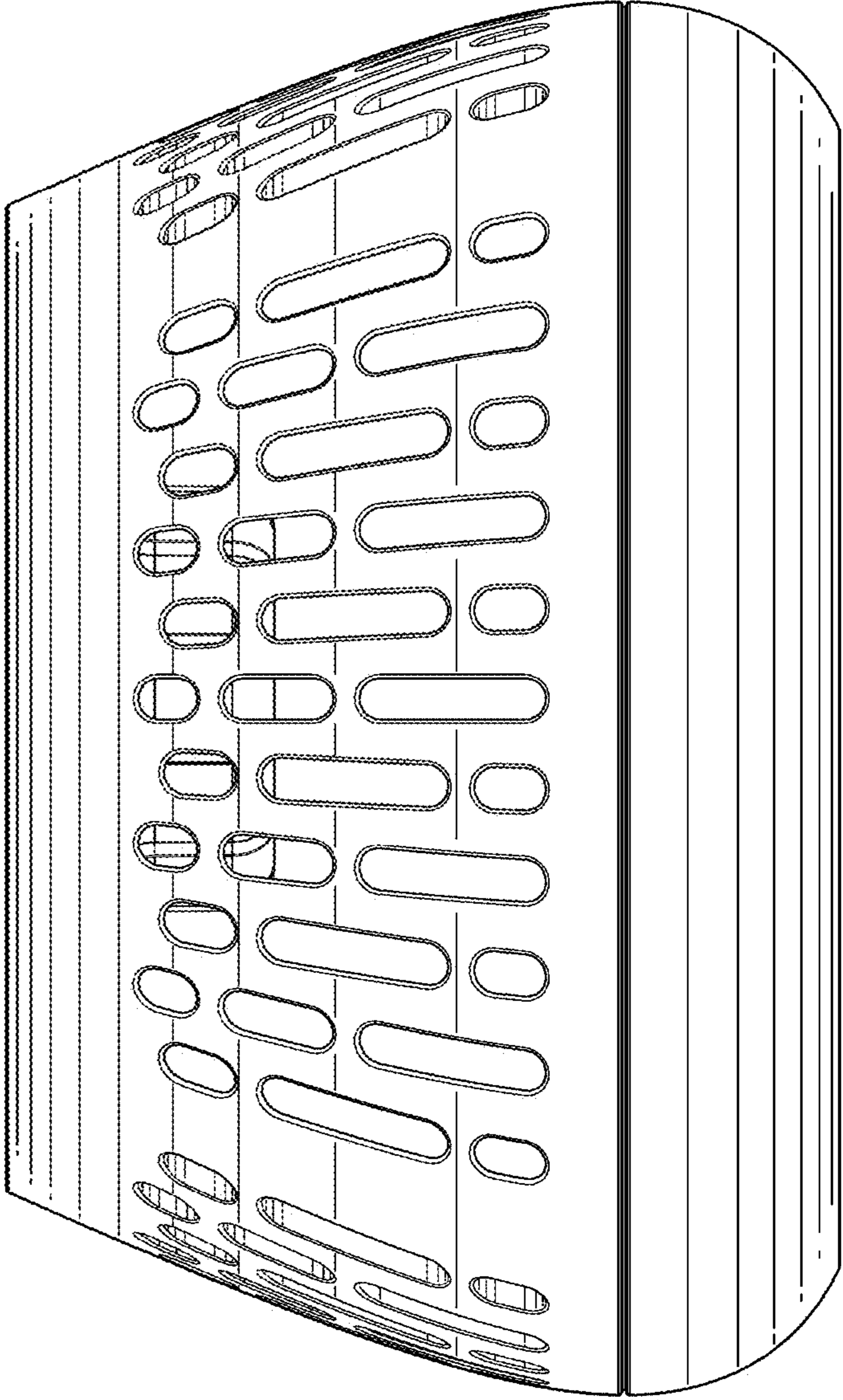


FIG. 5

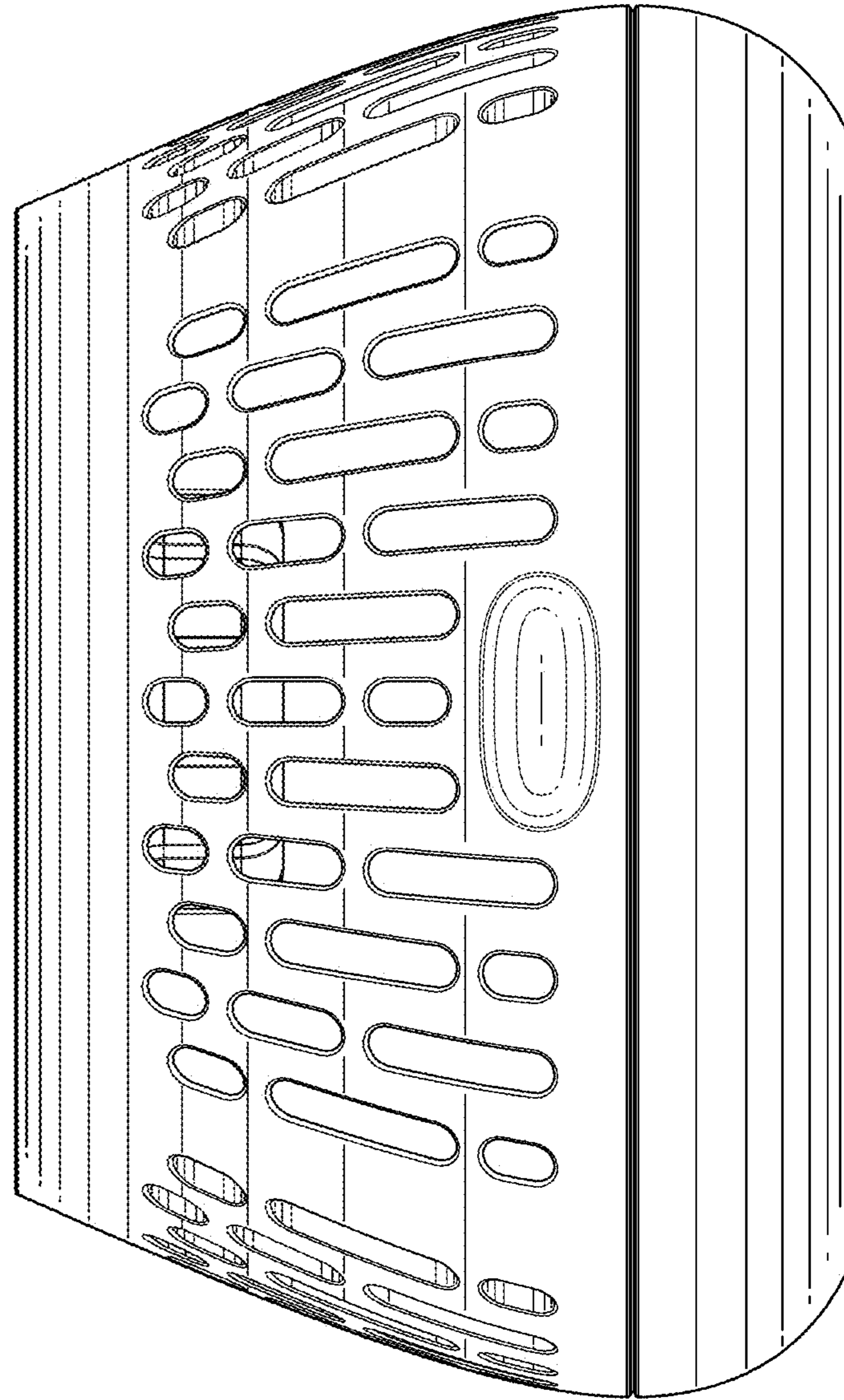


FIG. 6

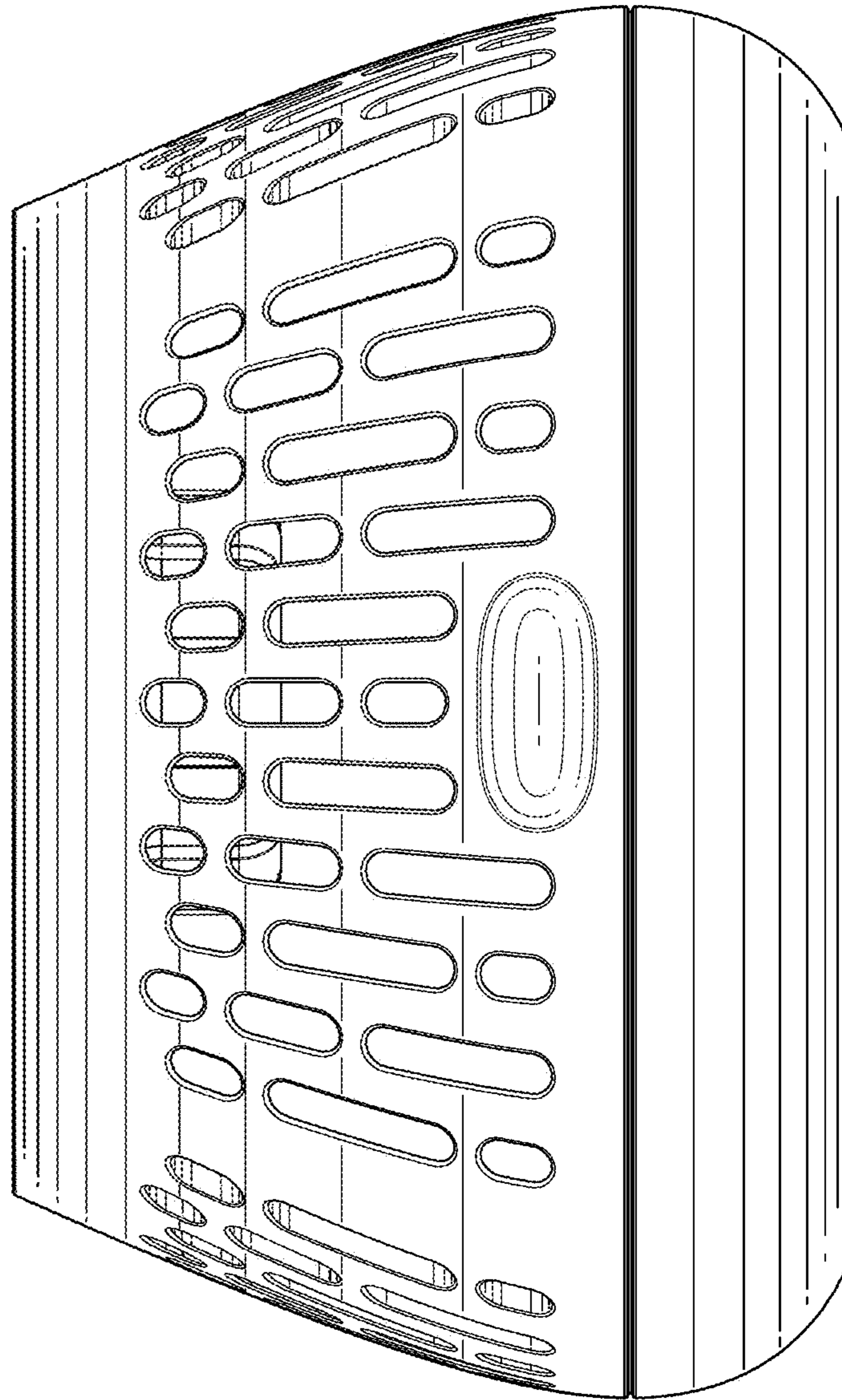


FIG. 7

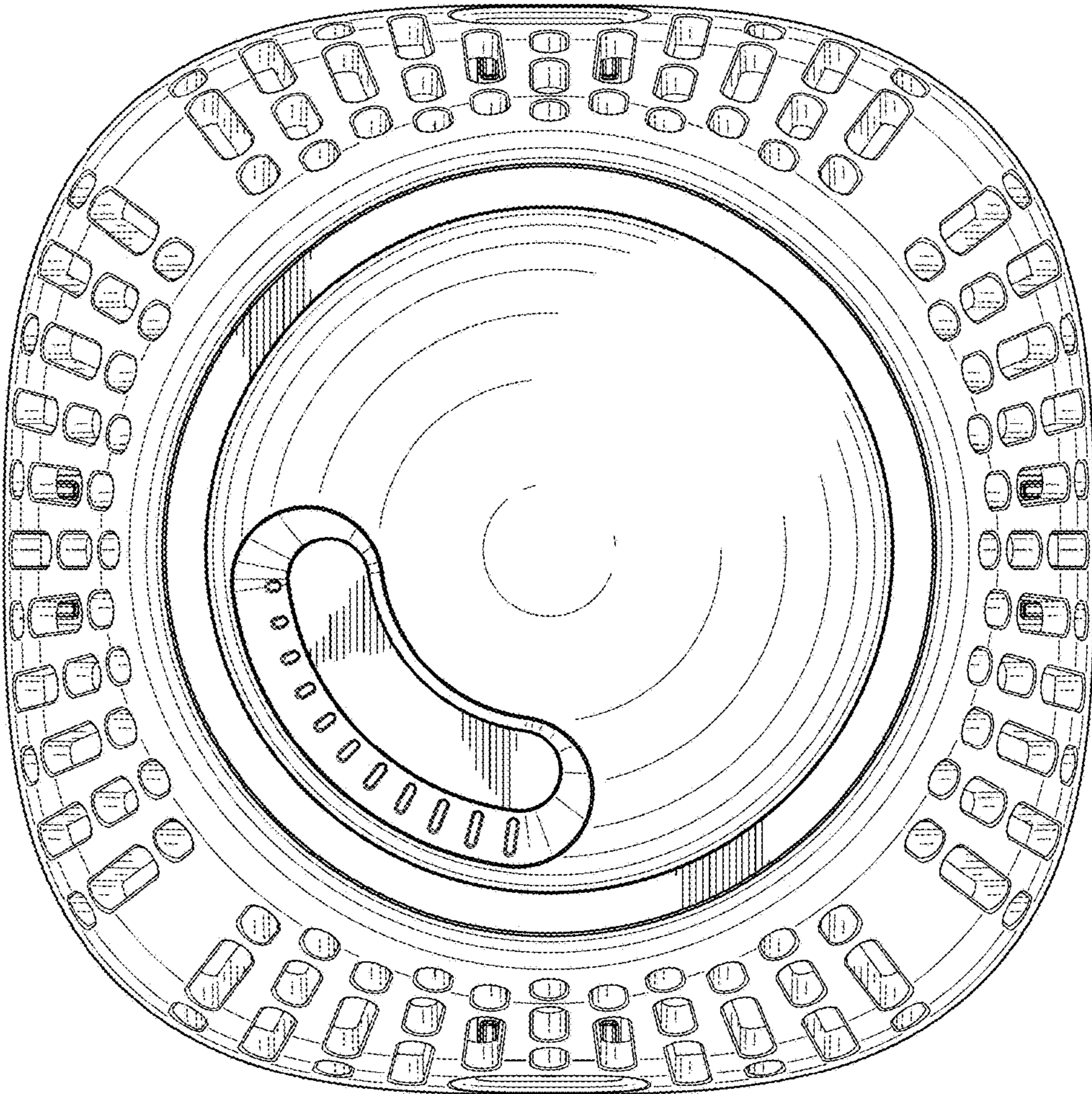


FIG. 8

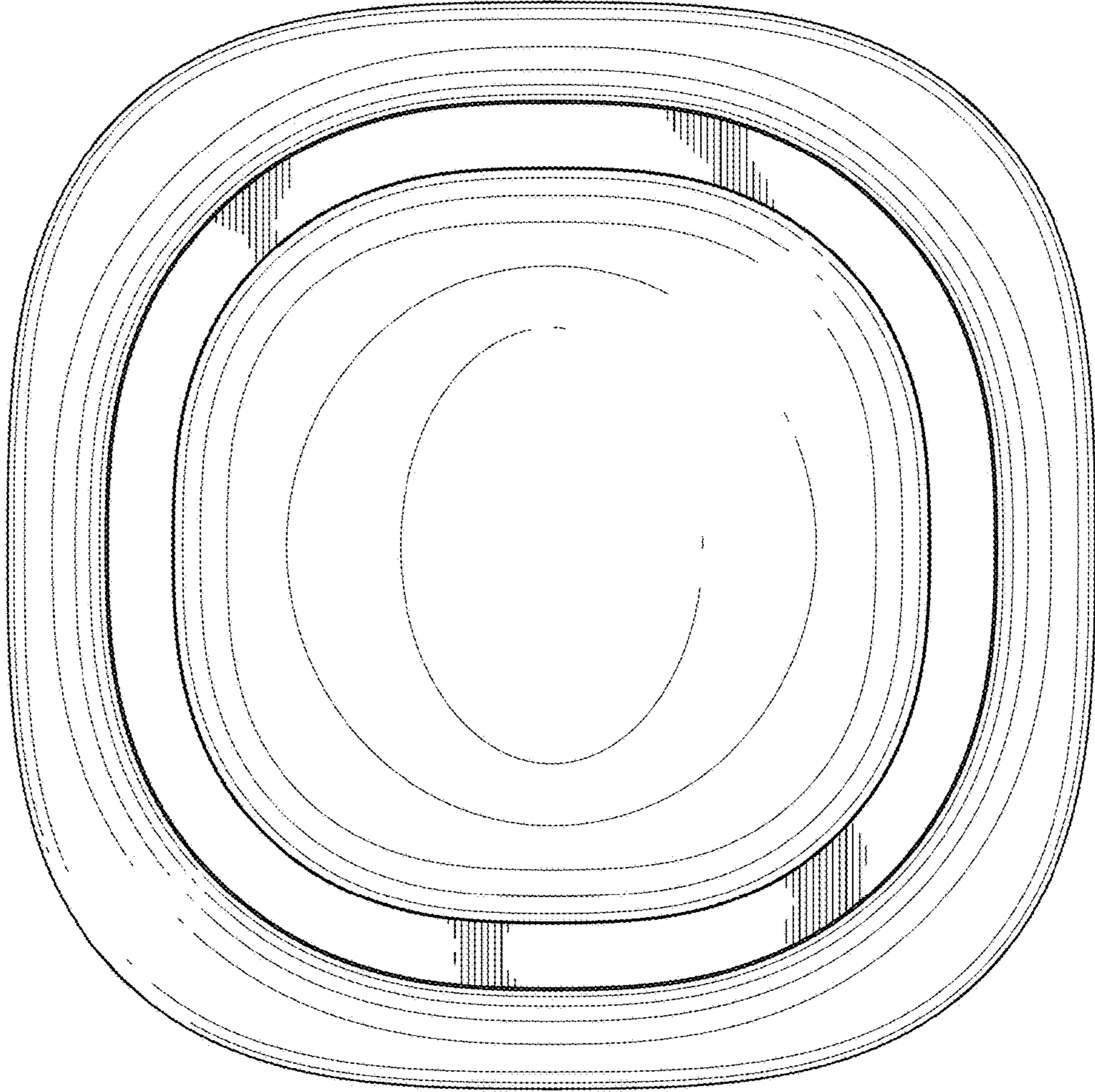


FIG. 9