



US00D824504S

(12) **United States Design Patent** (10) **Patent No.:** **US D824,504 S**  
**Williams et al.** (45) **Date of Patent:** **\*\* Jul. 31, 2018**

- (54) **REMOVABLE TOP FOR A PORTABLE VAPORIZER**
- (71) Applicant: **NWT Holdings, LLC**, Seattle, WA (US)
- (72) Inventors: **Mark Williams**, San Francisco, CA (US); **Alexander Robinson**, San Francisco, CA (US)
- (73) Assignee: **NWT HOLDINGS, LLC.**
- (\*\*) Term: **15 Years**
- (21) Appl. No.: **29/552,869**
- (22) Filed: **Jan. 26, 2016**
- (51) **LOC (11) Cl.** ..... **23-04**
- (52) **U.S. Cl.**  
USPC ..... **D23/360; D27/194**
- (58) **Field of Classification Search**  
USPC ..... D27/100, 101, 162, 163–169, 172, 175, D27/186, 189, 193, 194, 195, 136, 137, D27/138; D23/360  
CPC .. A24F 47/008; A24F 5/00; A24F 7/02; A24F 3/00; A24F 47/002; A24F 15/12; A24F 15/18  
See application file for complete search history.

6,761,164 B2 7/2004 Amirpour et al.  
6,772,756 B2 8/2004 Shayan  
D502,936 S 3/2005 Oas

(Continued)

**OTHER PUBLICATIONS**

Williams et al., co-pending Pending Design U.S. Appl. No. 29/552,868, filed Jan. 26, 2016.

*Primary Examiner* — Brandon M Rosati

*Assistant Examiner* — Marissa J Cash

(74) *Attorney, Agent, or Firm* — Steven R. Vosen

(57) **CLAIM**

We claim the ornamental design for a removable top for a portable vaporizer, as shown and described.

**DESCRIPTION**

FIG. 1 is an upper right rear perspective view of a removable top for a portable vaporizer shown on a disclaimed portable vaporizer;

FIG. 2 is a top plan view of the removable top of FIG. 1; FIG. 3 is a right side elevational view of the removable top of FIG. 1, where the left side elevational view is a mirror image thereof;

FIG. 4 is a front elevational view of the removable top of FIG. 1;

FIG. 5 is a rear elevational view of the removable top of FIG. 1;

FIG. 6 is a bottom plan view of one embodiment of the removable top of FIG. 1; and,

FIG. 7 is a bottom right front perspective view of the embodiment of FIG. 6.

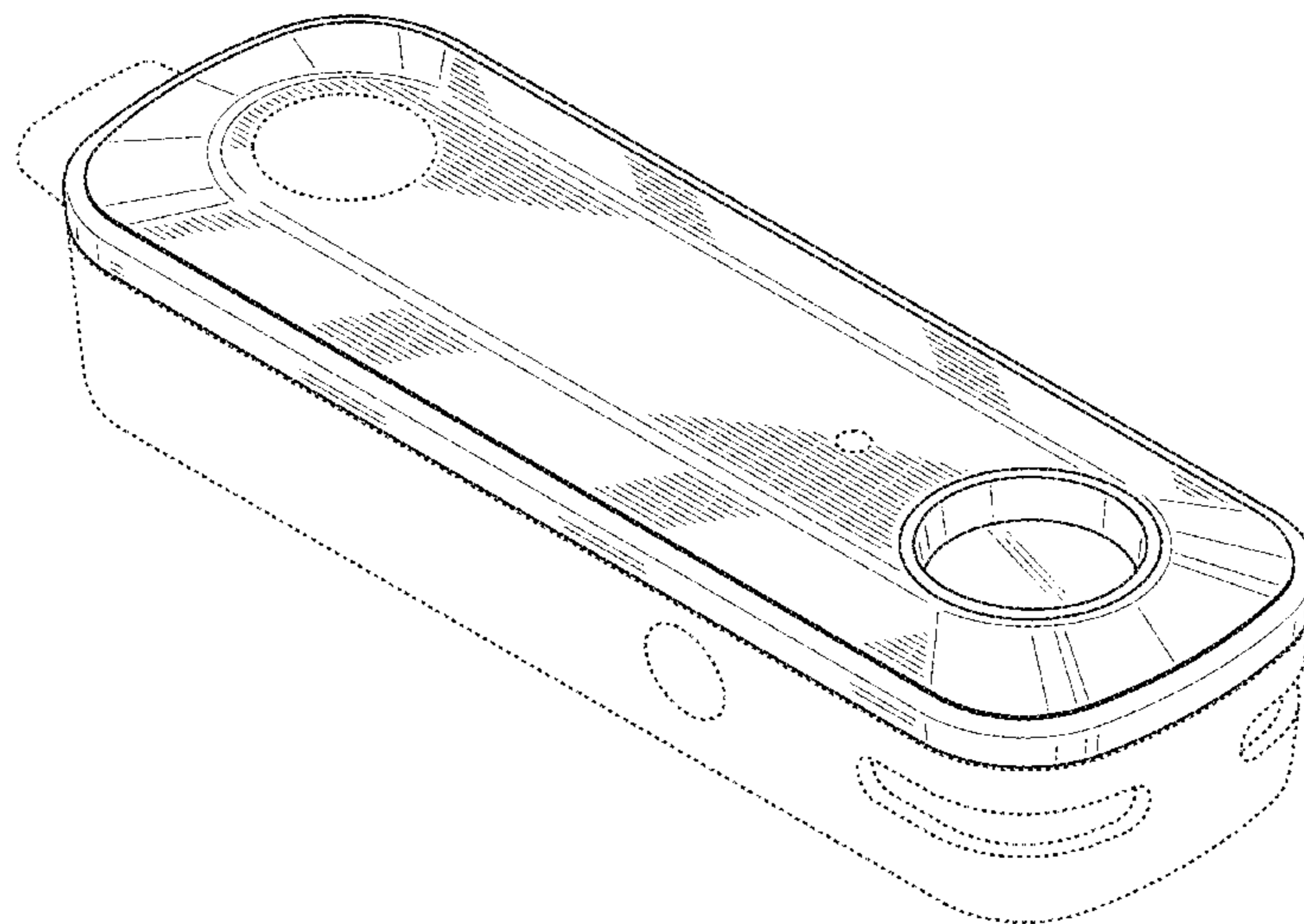
The broken line showing of the portable vaporizer in FIG. 1 is for the purpose of illustrating environmental structure and forms no part of the claimed design. The broken lines in FIGS. 6 and 7 define the bounds of the claimed design form no part thereof.

**1 Claim, 4 Drawing Sheets**

(56) **References Cited**

**U.S. PATENT DOCUMENTS**

4,303,083	A	12/1981	Burruss, Jr.	
5,388,594	A	2/1995	Counts et al.	
5,464,026	A	11/1995	Gardner et al.	
5,564,442	A	10/1996	MacDonald et al.	
D415,266	S	10/1999	Glattstein	
6,095,153	A	8/2000	Kessler et al.	
D433,532	S	* 11/2000	Higgins	D27/186
6,250,301	B1	6/2001	Pate	
D446,849	S	8/2001	Weinberg	
6,513,524	B1	2/2003	Storz	
6,598,607	B2	7/2003	Adiga et al.	
D489,448	S	5/2004	Shayan	



(56)

References Cited

U.S. PATENT DOCUMENTS

D503,467 S 3/2005 Flashinski et al.  
 D508,119 S 8/2005 Shayan  
 D512,494 S 12/2005 Haranaka  
 D513,070 S 12/2005 Haranaka  
 6,990,978 B2 1/2006 Shayan  
 D523,414 S 6/2006 Kobayashi  
 D532,406 S 11/2006 Lee  
 D536,090 S 1/2007 Nelson  
 D539,883 S 4/2007 Lee et al.  
 D575,860 S 8/2008 Wu  
 D581,506 S 11/2008 Kelnhofer  
 D583,450 S 12/2008 Choi  
 D584,281 S 1/2009 Kim et al.  
 7,490,613 B2 2/2009 Jordan  
 D593,406 S \* 6/2009 Verebelyi ..... D27/189  
 D603,033 S 10/2009 Kelnhofer  
 7,753,055 B2 \* 7/2010 Bryman ..... A24F 3/00  
 131/184.2  
 D625,398 S 10/2010 Choi  
 D630,794 S \* 1/2011 Cohen Harel ..... D27/195  
 D633,610 S 3/2011 Wu  
 7,905,236 B2 3/2011 Bryman et al.  
 D636,474 S 4/2011 Choi et al.  
 D640,649 S 6/2011 Luo  
 D640,650 S 6/2011 Luo  
 D656,230 S 3/2012 Robinson et al.  
 D657,857 S 4/2012 Choi  
 D662,578 S 6/2012 Blanking et al.  
 D664,636 S 7/2012 Robinson et al.  
 D677,774 S 3/2013 Postma  
 D687,768 S \* 8/2013 Minamikawa ..... D13/107  
 D689,999 S 9/2013 Viala  
 D705,918 S 5/2014 Robinson et al.

D716,428 S 10/2014 Farone et al.  
 8,881,738 B2 \* 11/2014 Bryman ..... A24F 3/00  
 131/184.2  
 D730,572 S \* 5/2015 Leidel ..... D27/163  
 D736,455 S \* 8/2015 Liu ..... D27/189  
 D742,492 S 11/2015 Robinson et al.  
 D748,328 S \* 1/2016 Choi ..... D27/167  
 D753,338 S \* 4/2016 Chen ..... D27/162  
 D756,563 S \* 5/2016 Joyce, III ..... D27/189  
 D758,004 S \* 5/2016 Freshwater ..... D27/163  
 D758,656 S \* 6/2016 Freshwater ..... D27/163  
 D759,302 S \* 6/2016 Gadas ..... D19/10  
 D770,678 S \* 11/2016 Shin ..... D27/163  
 D771,867 S \* 11/2016 Leidel ..... D27/163  
 D772,477 S \* 11/2016 Smith ..... D27/163  
 D775,414 S \* 5/2016 Ampolini ..... D13/108  
 D779,115 S \* 2/2017 Stoll ..... D27/153  
 D785,862 S \* 5/2017 Wu ..... D27/167  
 2004/0163643 A1 8/2004 Wesner  
 2007/0280652 A1 12/2007 Williams  
 2007/0283972 A1 12/2007 Monsees et al.  
 2008/0023003 A1 1/2008 Rosenthal  
 2008/0257367 A1 10/2008 Paterno et al.  
 2009/0260641 A1 10/2009 Monsees et al.  
 2009/0260642 A1 10/2009 Monsees et al.  
 2009/0293888 A1 12/2009 Williams et al.  
 2009/0293892 A1 12/2009 Williams et al.  
 2010/0024834 A1 2/2010 Oglesby et al.  
 2010/0163063 A1 7/2010 Fernando et al.  
 2010/0322599 A1 12/2010 Landry  
 2011/0073121 A1 3/2011 Levin et al.  
 2015/0128967 A1 \* 5/2015 Robinson ..... A24F 47/008  
 131/328  
 2017/0050798 A1 \* 2/2017 Ludewig ..... B65D 85/54  
 2017/0119044 A1 \* 5/2017 Oligschlaeger ..... A24F 15/00

\* cited by examiner

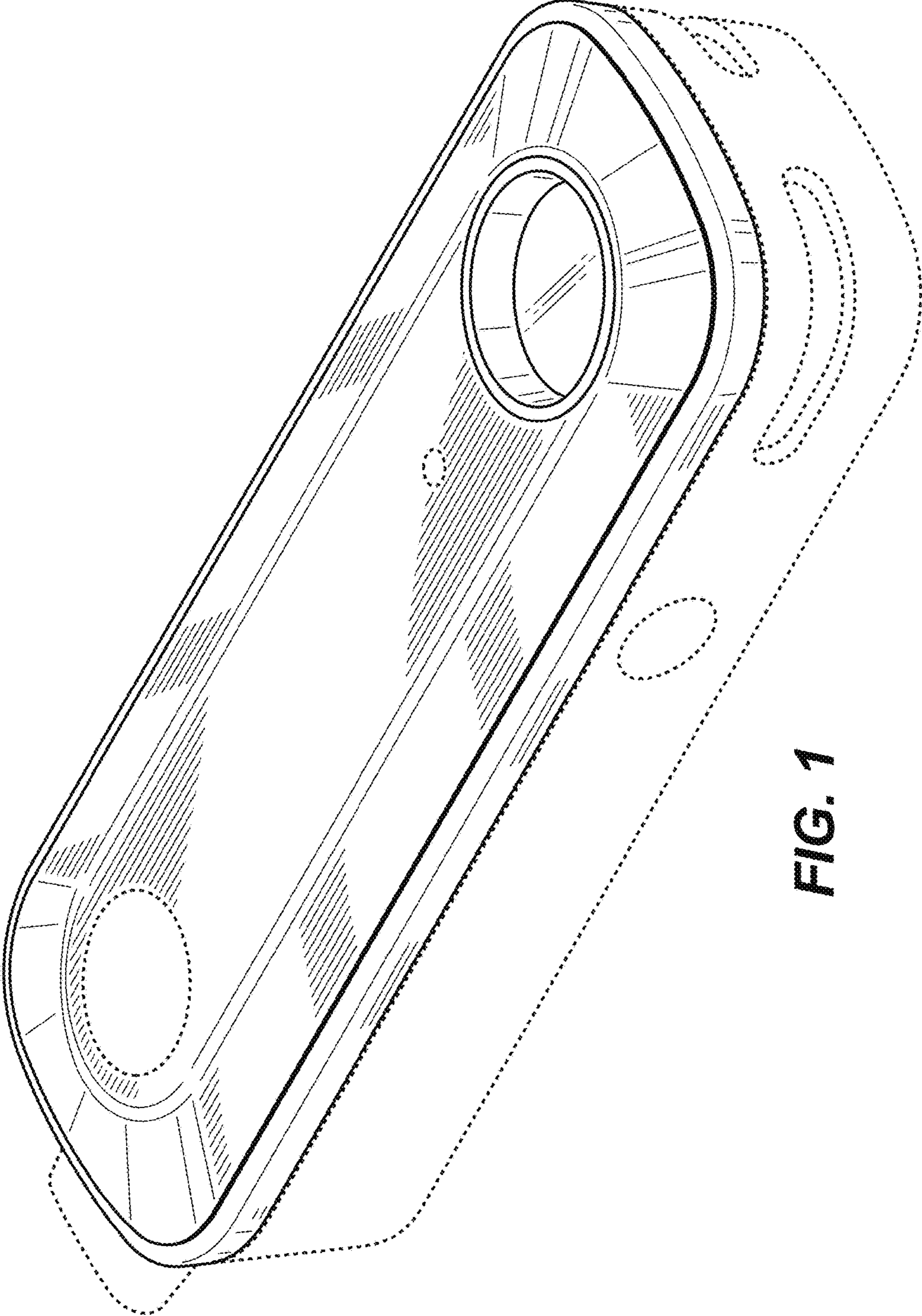
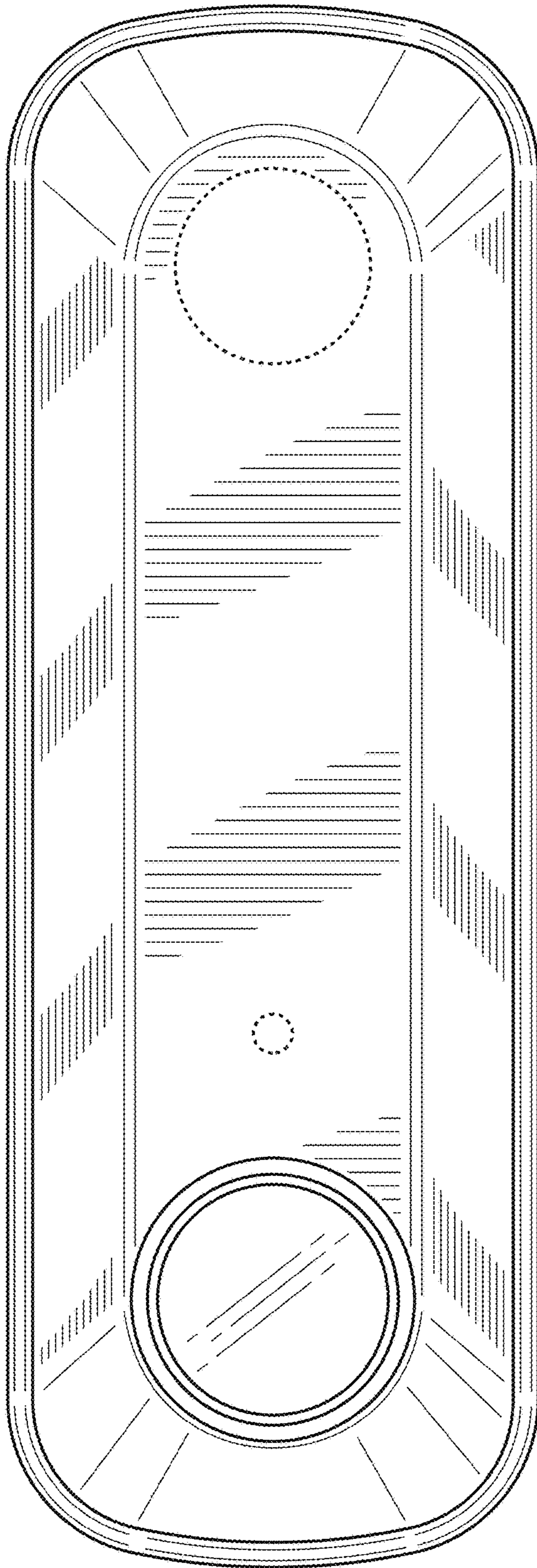
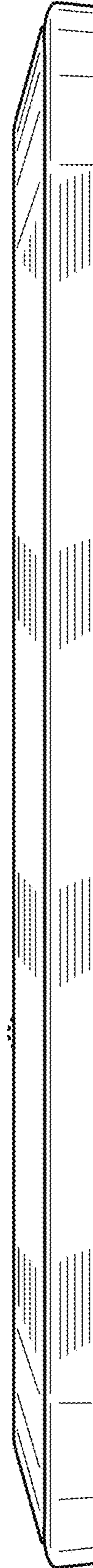


FIG. 1

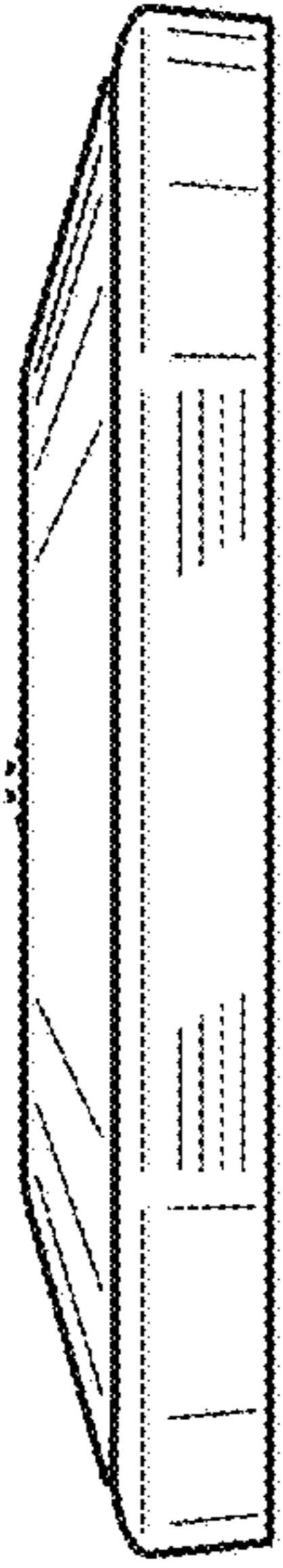




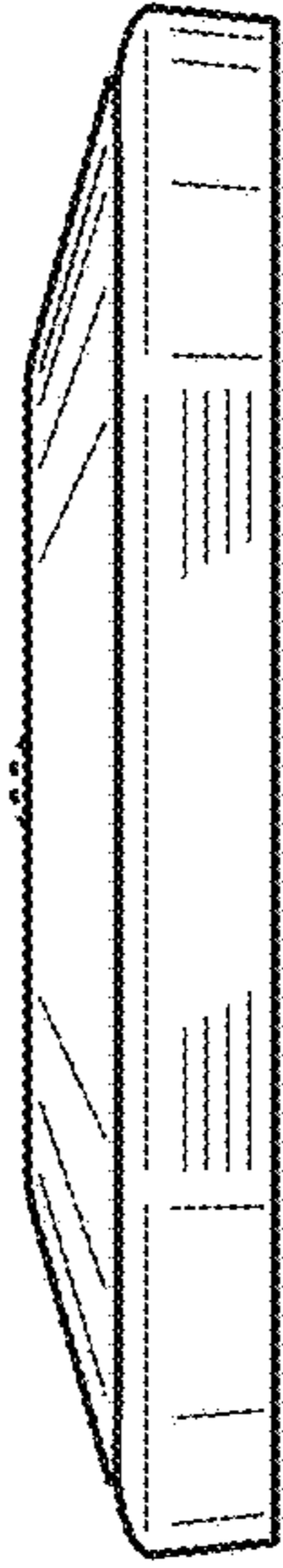
**FIG. 2**



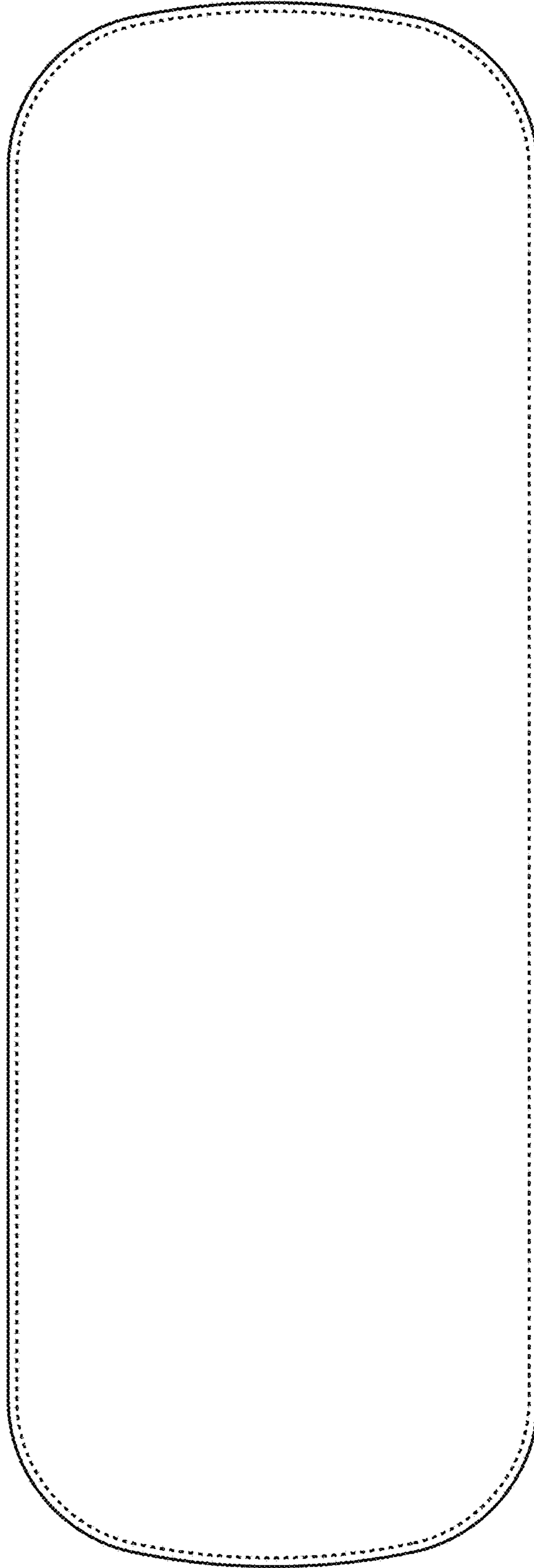
**FIG. 3**



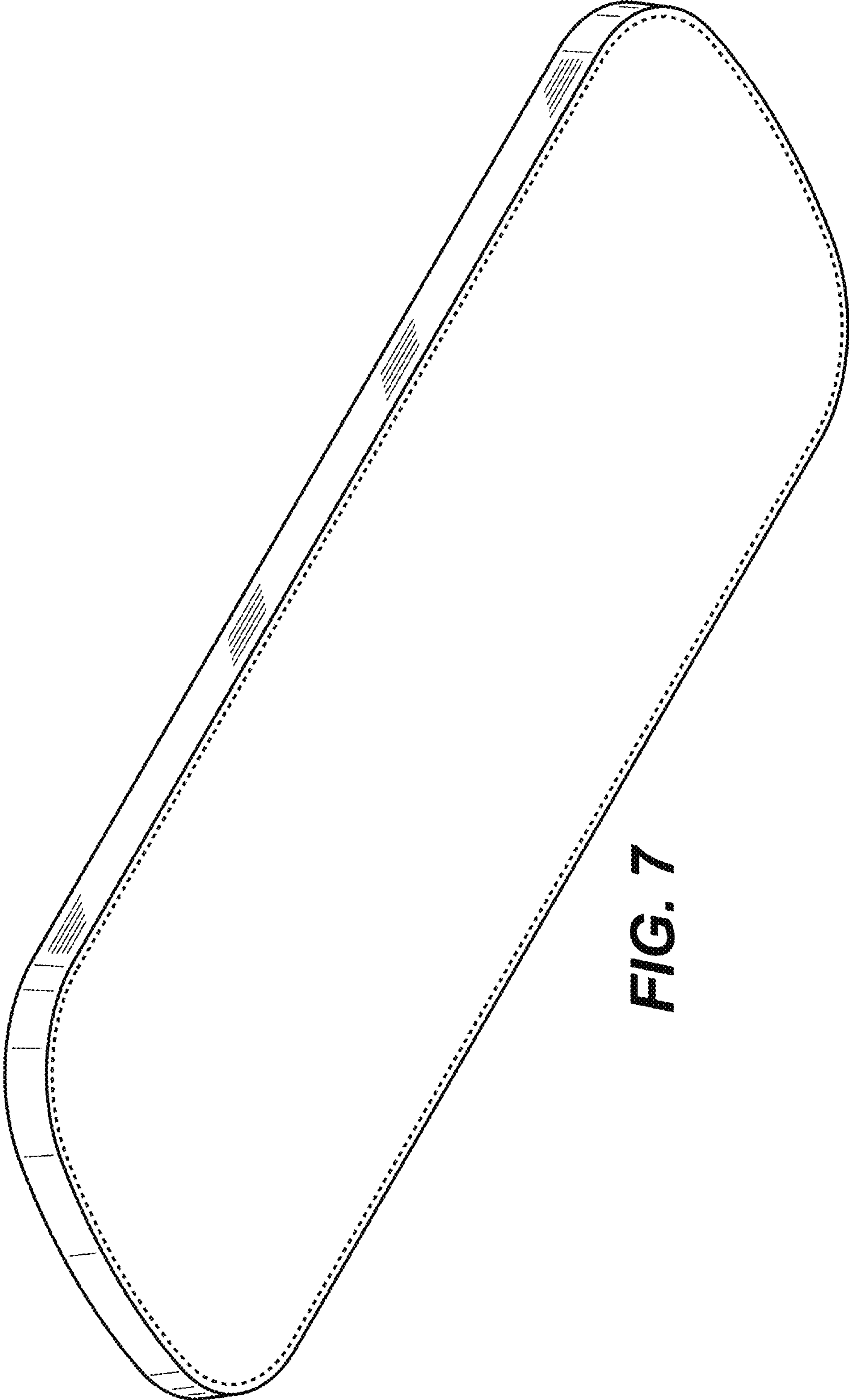
**FIG. 4**



**FIG. 5**



**FIG. 6**



**FIG. 7**