

US00D824501S

(12) **United States Design Patent** (10) **Patent No.:** **US D824,501 S**
Long et al. (45) **Date of Patent:** **** Jul. 31, 2018**

(54) **WALL MOUNTED SPLIT TYPE AIR CONDITIONER**

(56) **References Cited**

(71) Applicant: **Gree Electric Appliances, Inc. of ZHUHAI**, Zhuhai, Guangdong (CN)
(72) Inventors: **Teng Long**, Zhuhai (CN); **Fang Chen**, Zhuhai (CN); **Yubin Li**, Zhuhai (CN); **Huanlong Wu**, Zhuhai (CN); **Liang Li**, Zhuhai (CN)
(73) Assignee: **GREE ELECTRIC APPLIANCES, INC. OF ZHUHAI**, Zhuhai, Guangdong (CN)

U.S. PATENT DOCUMENTS

D276,070 S *	10/1984	Giles	D23/354
D394,901 S *	6/1998	Governale	D23/351
D558,864 S *	1/2008	Yoo	D23/351
D558,865 S *	1/2008	Yoo	D23/351
D619,236 S *	7/2010	Schlag	D23/351
D636,474 S *	4/2011	Choi	D23/351
D657,032 S *	4/2012	Chouji	D23/351
D657,033 S *	4/2012	Chouji	D23/351
D702,335 S *	4/2014	Saitou	D23/351
D726,295 S *	4/2015	Kim	D23/351
D736,363 S *	8/2015	Pereira	D23/354
D762,290 S *	7/2016	Jepson	D23/342
D790,052 S *	6/2017	Ha	D23/370

(**) Term: **15 Years**

* cited by examiner

(21) Appl. No.: **29/558,222**

Primary Examiner — George D. Kirschbaum

(22) Filed: **Mar. 16, 2016**

Assistant Examiner — Natasha Vujcic

(30) **Foreign Application Priority Data**

(74) *Attorney, Agent, or Firm* — Li & Cai Intellectual Property (USA) Office

Sep. 16, 2015 (CN) 2015 3 0356794

(51) **LOC (11) Cl.** **23-04**

(52) **U.S. Cl.**
USPC **D23/351**

(58) **Field of Classification Search**
USPC D23/333, 335, 341, 342, 351, 353, 354, D23/355, 356, 359, 364, 365, 370, 385, D23/386, 388, 393
CPC F24F 1/00; F24F 1/0007; F24F 1/02; F24F 1/08; F24F 1/42; F24F 1/56; F24F 1/60; F24F 3/044; F24F 3/048; F24F 3/16; F24F 7/00; F24F 7/04; F24F 12/001; F24F 12/006

See application file for complete search history.

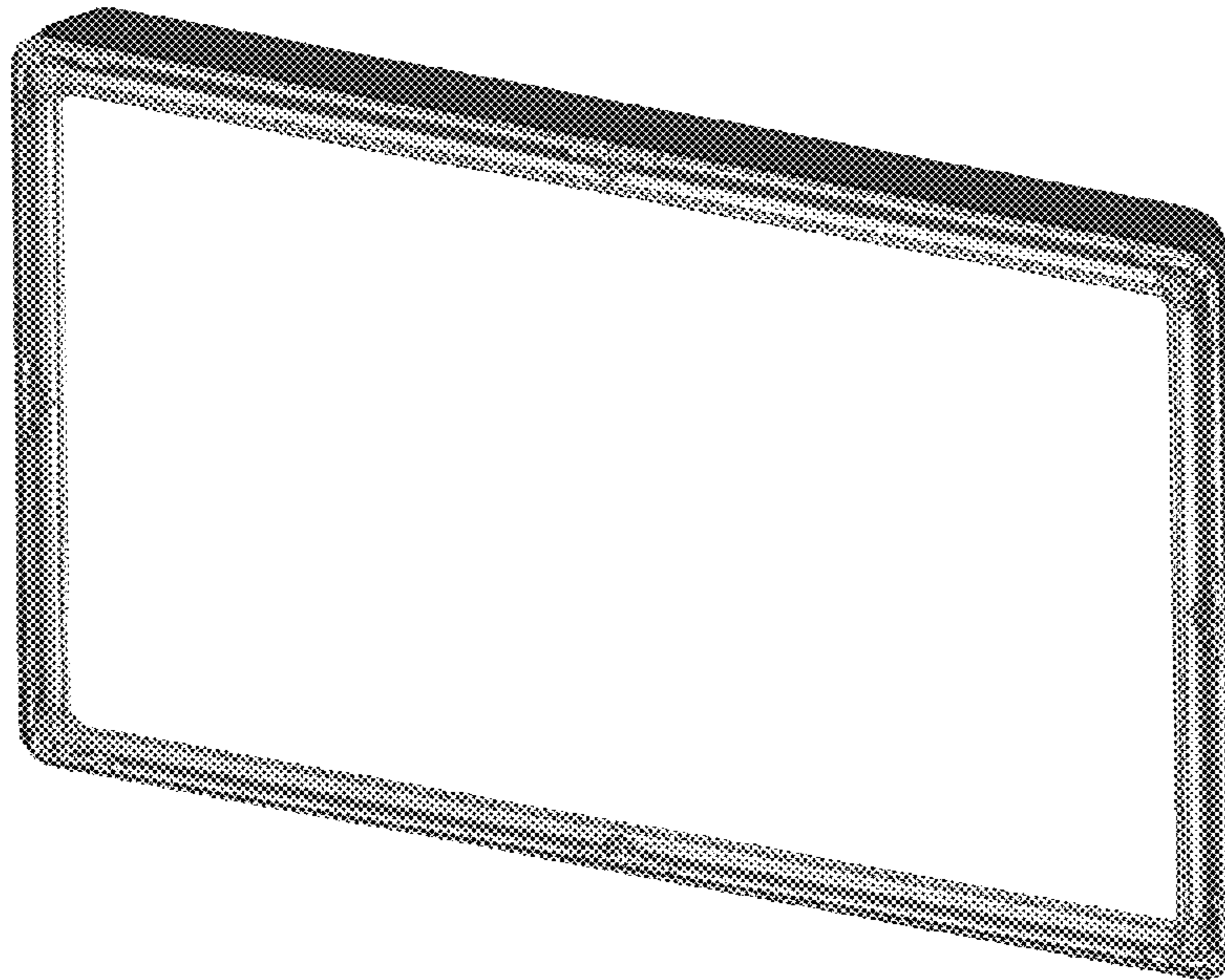
(57) **CLAIM**

The ornamental design for a “wall mounted split type air conditioner,” as shown and described.

DESCRIPTION

FIG. 1 is a perspective view of a wall mounted split type air conditioner showing our new design;
FIG. 2 is a front view thereof;
FIG. 3 is a left side view thereof;
FIG. 4 is a right side view thereof;
FIG. 5 is a top view thereof; and,
FIG. 6 is a bottom view thereof.

1 Claim, 4 Drawing Sheets



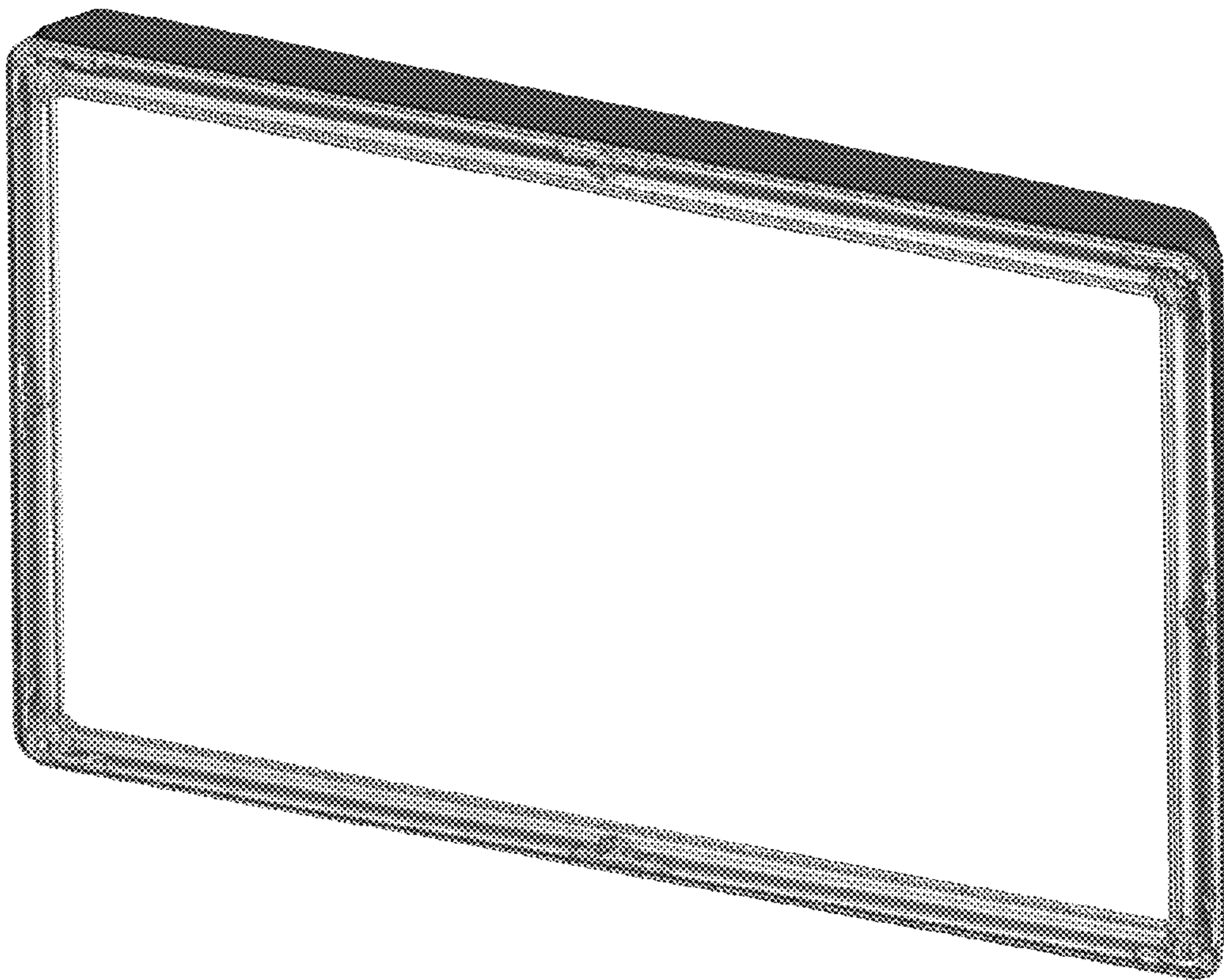


FIG.1

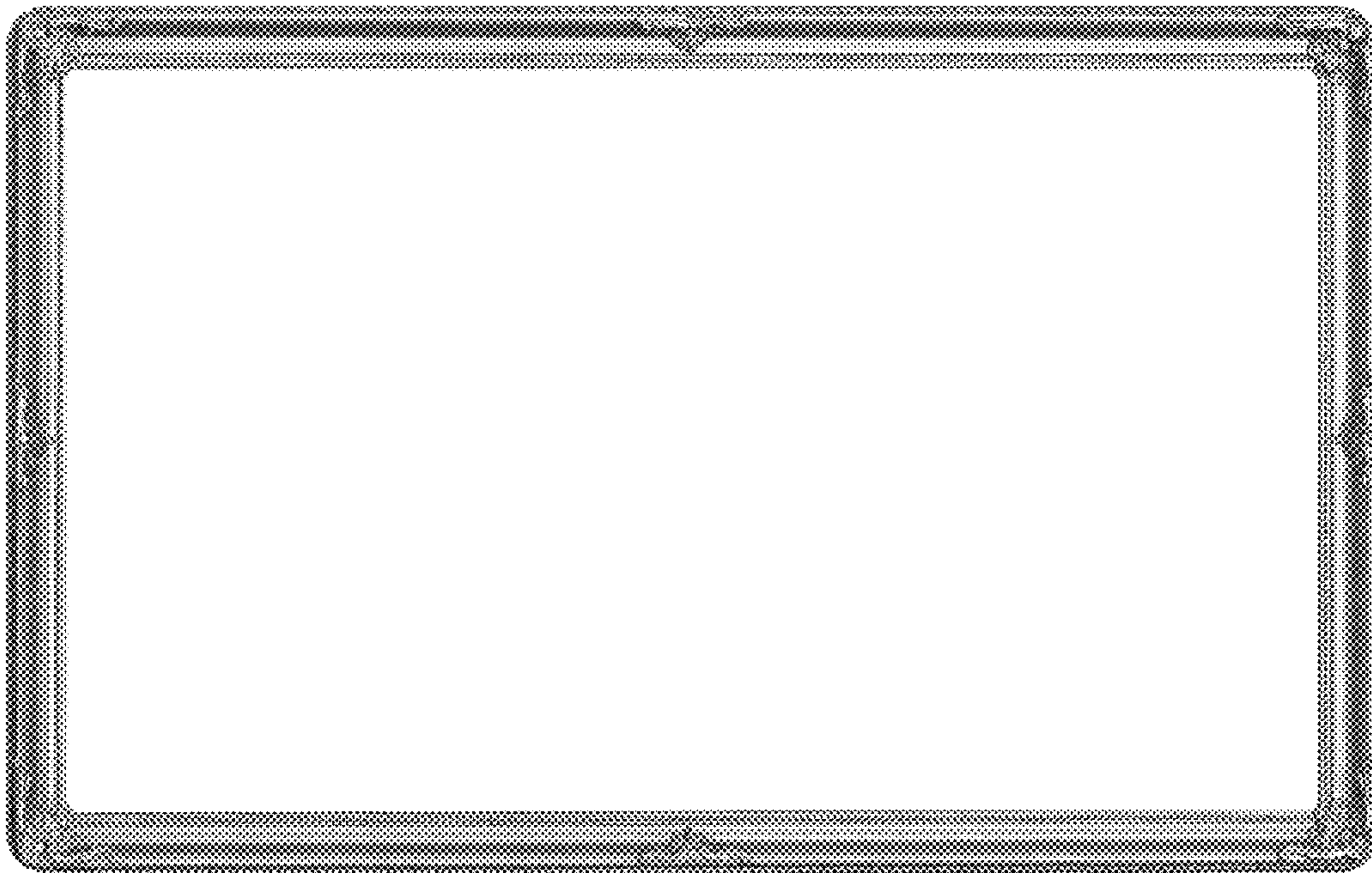


FIG.2

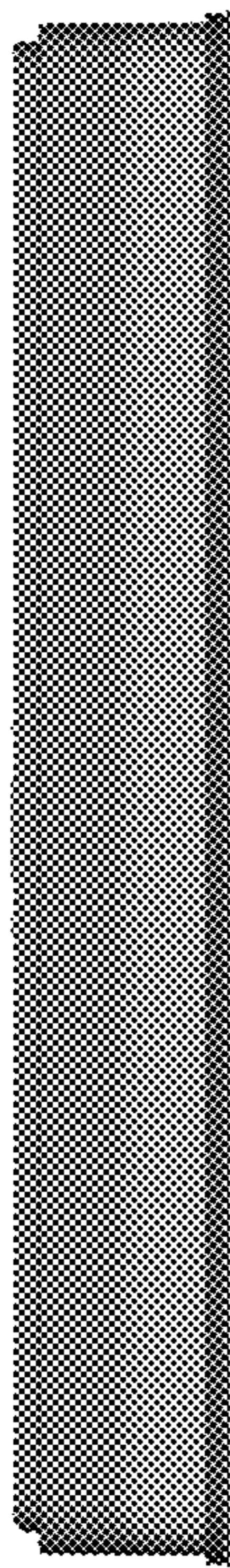


FIG.3

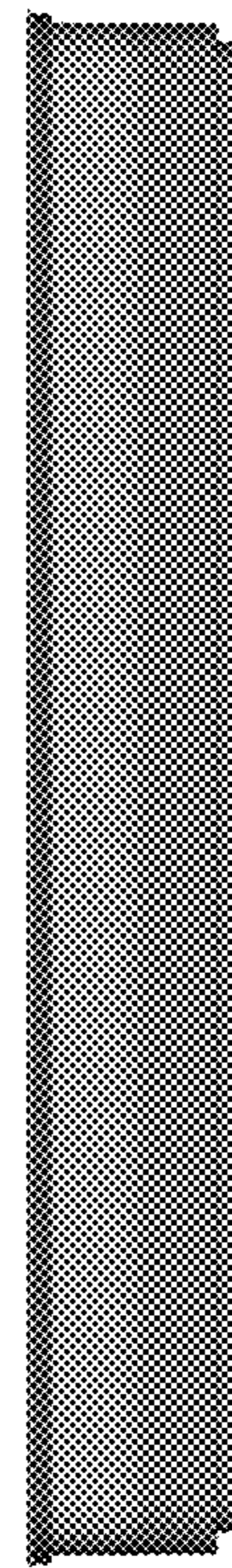


FIG.4

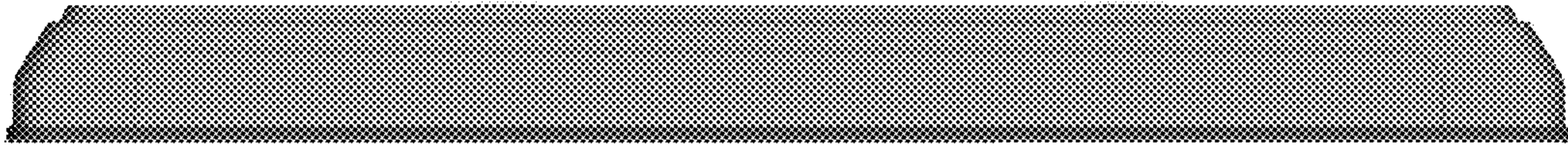


FIG.5

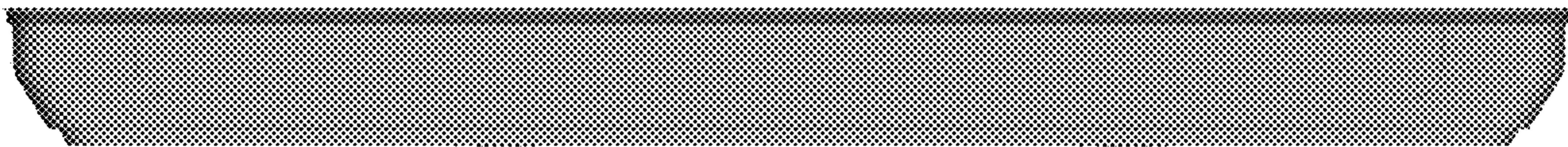


FIG.6