



US00D824497S

(12) **United States Design Patent** (10) **Patent No.:** **US D824,497 S**
Murray et al. (45) **Date of Patent:** **** Jul. 31, 2018**

(54) **LAVATORY SYSTEM**

(57) **CLAIM**

(71) Applicant: **Bradley Fixtures Corporation,**
Menomonee Falls, WI (US)

The ornamental design for lavatory system, substantially as shown and described.

(72) Inventors: **Chris Murray,** Chicao, IL (US); **Trevis Kurz,** Chicago, IL (US); **Cassandra Anne Schneider,** Oconomowoc, WI (US); **William L. Haas,** Richfield, WI (US); **Jason Thomas Dodge,** Waukesha, WI (US)

DESCRIPTION

(73) Assignee: **Bradley Fixtures Corporation,**
Menomonee Falls, WI (US)

FIG. 1 is a front, raised perspective view of a lavatory system showing a basin;
FIG. 2 is a rear, lowered perspective view of the lavatory system according to FIG. 1;
FIG. 3 is a top view of the lavatory system according to FIG. 1;
FIG. 4 is bottom view of the lavatory system according to FIG. 1;
FIG. 5 is a front view of the lavatory system according to FIG. 1;
FIG. 6 is a rear view of the lavatory system according to FIG. 1;
FIG. 7 is a left side view of the lavatory system according to FIG. 1;
FIG. 8 is a right side view of the lavatory system according to FIG. 1;
FIG. 9 is a front, raised perspective view of a lavatory system showing a basin;
FIG. 10 is a rear, lowered perspective view of the lavatory system according to FIG. 9;
FIG. 11 is a top view of the lavatory system according to FIG. 9;
FIG. 12 is bottom view of the lavatory system according to FIG. 9;
FIG. 13 is a front view of the lavatory system according to FIG. 9;
FIG. 14 is a rear view of the lavatory system according to FIG. 9;
FIG. 15 is a left side view of the lavatory system according to FIG. 9; and,
FIG. 16 is a right side view of the lavatory system according to FIG. 9.

(**) Term: **15 Years**

(21) Appl. No.: **29/616,999**

(22) Filed: **Sep. 11, 2017**

Related U.S. Application Data

(62) Division of application No. 29/559,402, filed on Mar. 28, 2016, now Pat. No. Des. 813,360.

(51) **LOC (11) Cl.** **23-02**

(52) **U.S. Cl.**
USPC **D23/308**

(58) **Field of Classification Search**
USPC D23/284, 293.1, 308, 286–287, 291–292,
D23/303

(Continued)

(56) **References Cited**

U.S. PATENT DOCUMENTS

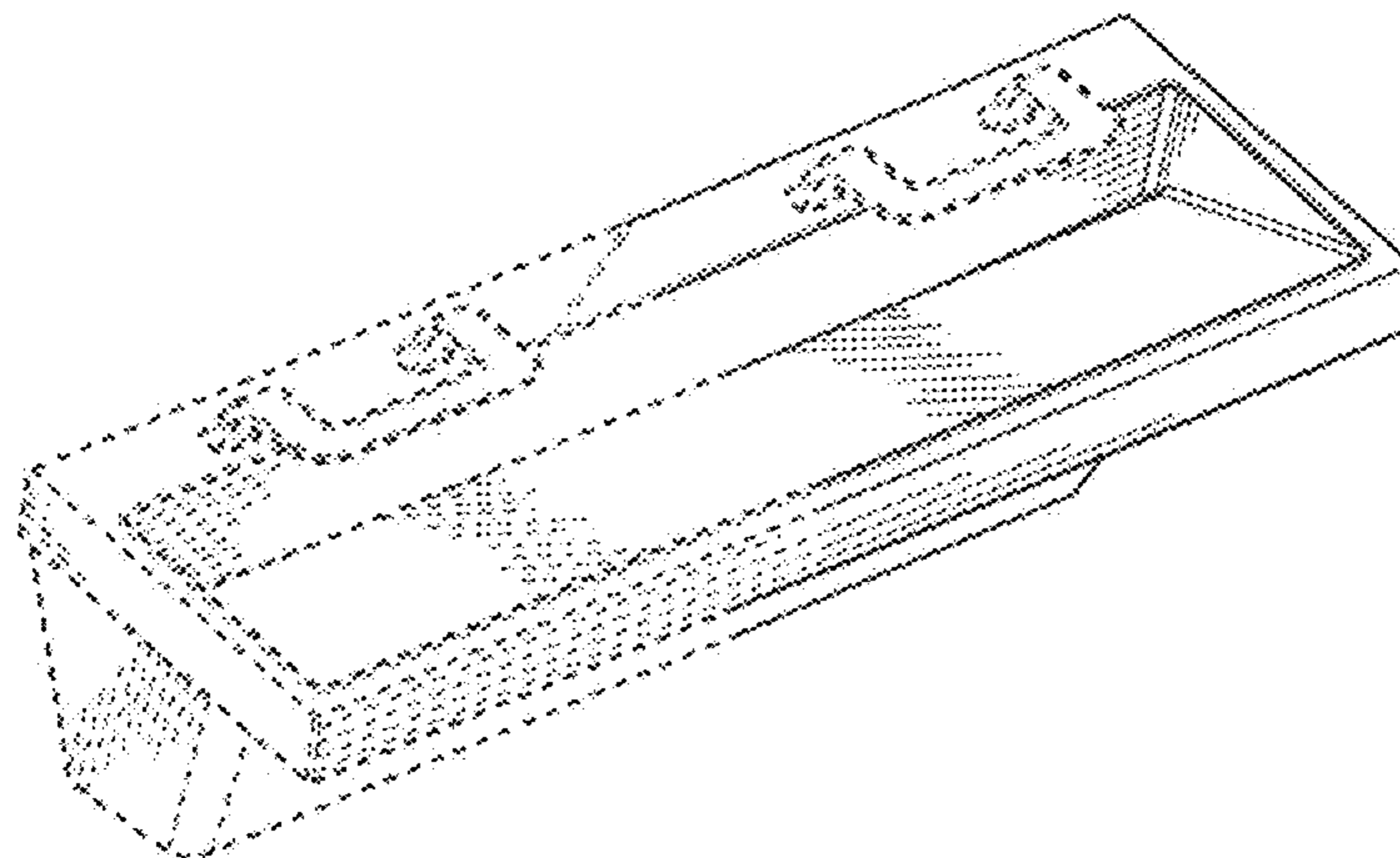
D545,415 S * 6/2007 Tani D23/293.1
D560,782 S * 1/2008 Marshall D23/293.1

(Continued)

Primary Examiner — Robert A Delehanty

(74) *Attorney, Agent, or Firm* — Boyle Fredrickson, S.C.

(Continued)



and is not part of the claimed design. All surfaces not shown form no part of the claimed design.

1 Claim, 8 Drawing Sheets

(58) **Field of Classification Search**

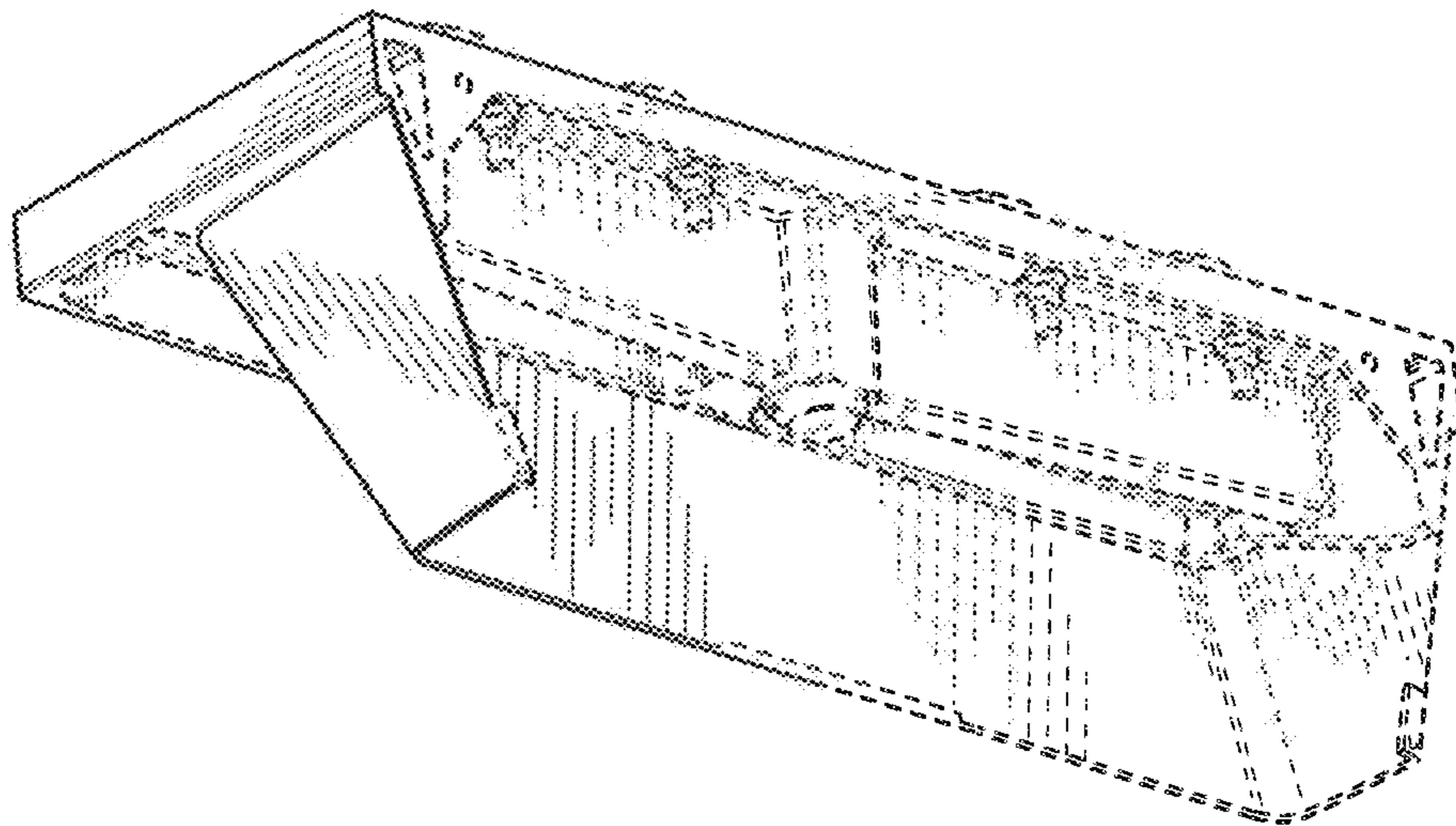
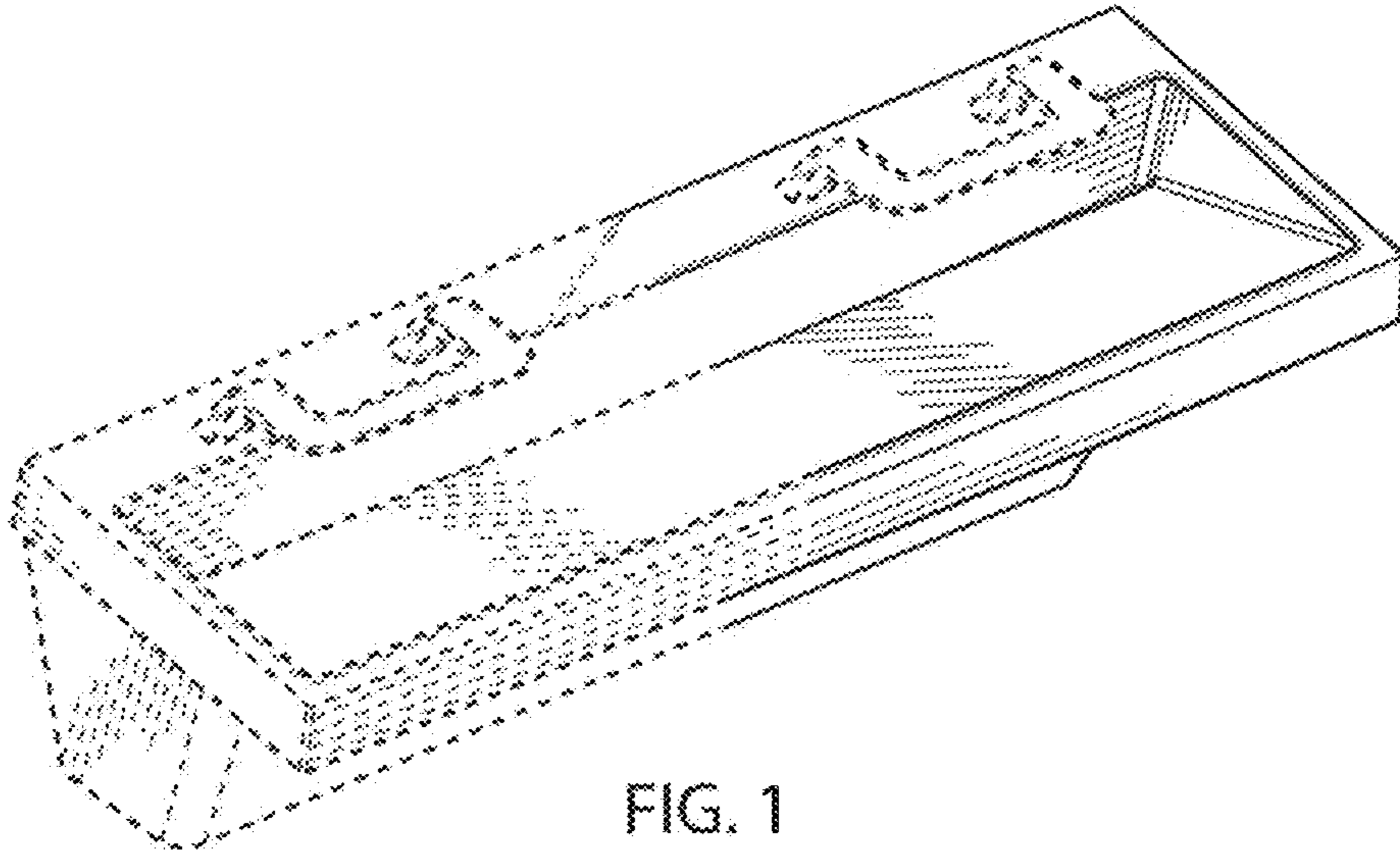
CPC A47K 5/1217; A47K 10/48
See application file for complete search history.

(56) **References Cited**

U.S. PATENT DOCUMENTS

D629,877 S	*	12/2010	Rundberg	D23/308
D687,530 S	*	8/2013	McGuire	D23/308
D691,248 S	*	10/2013	McGuire	D23/308
D735,838 S	*	8/2015	Bartlett	D23/290
D745,120 S	*	12/2015	Adkison	D23/284

* cited by examiner



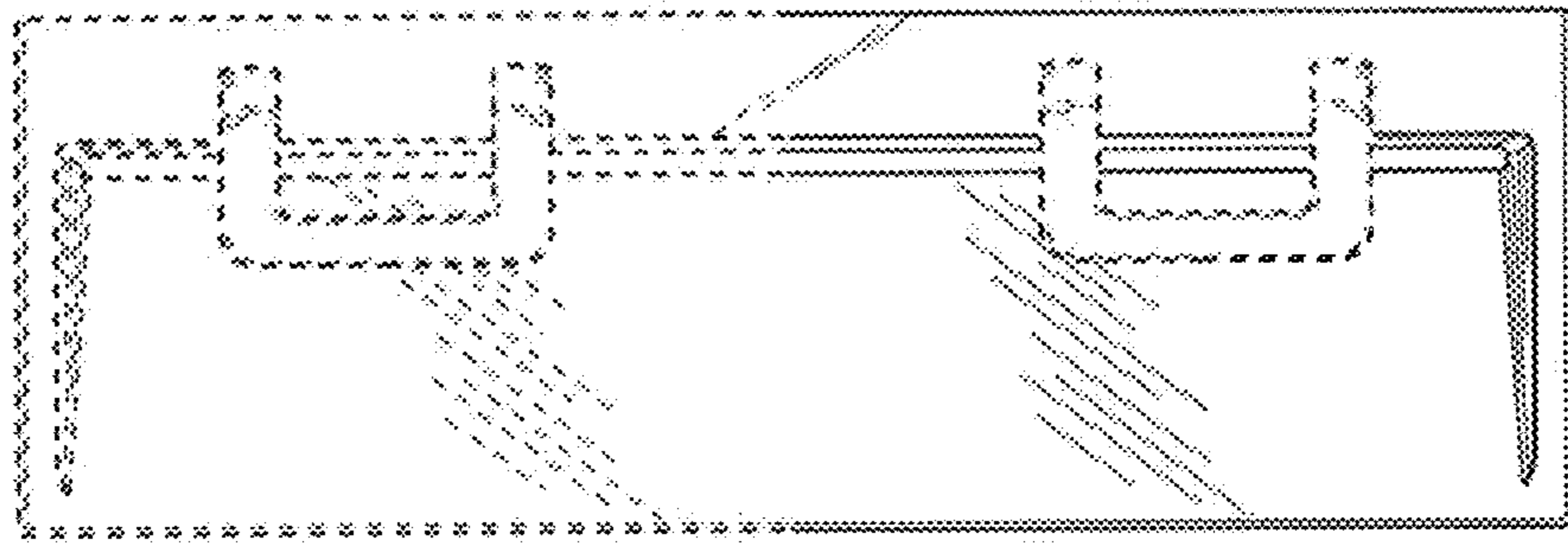


FIG. 3

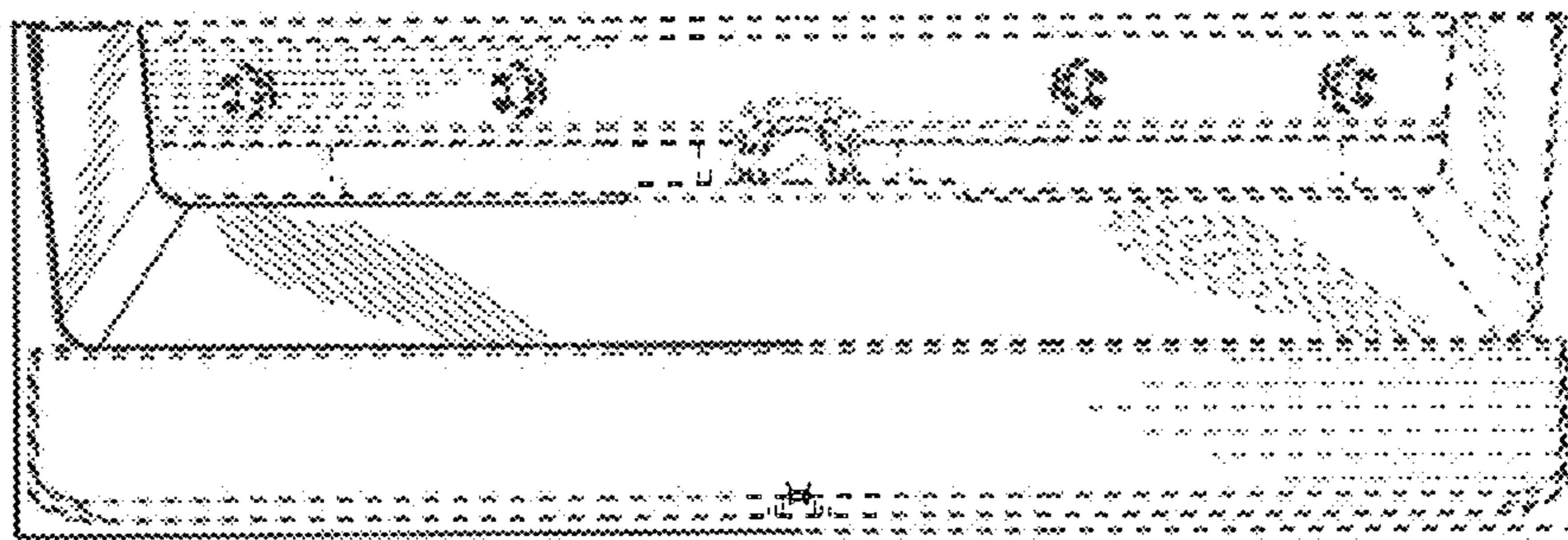


FIG. 4

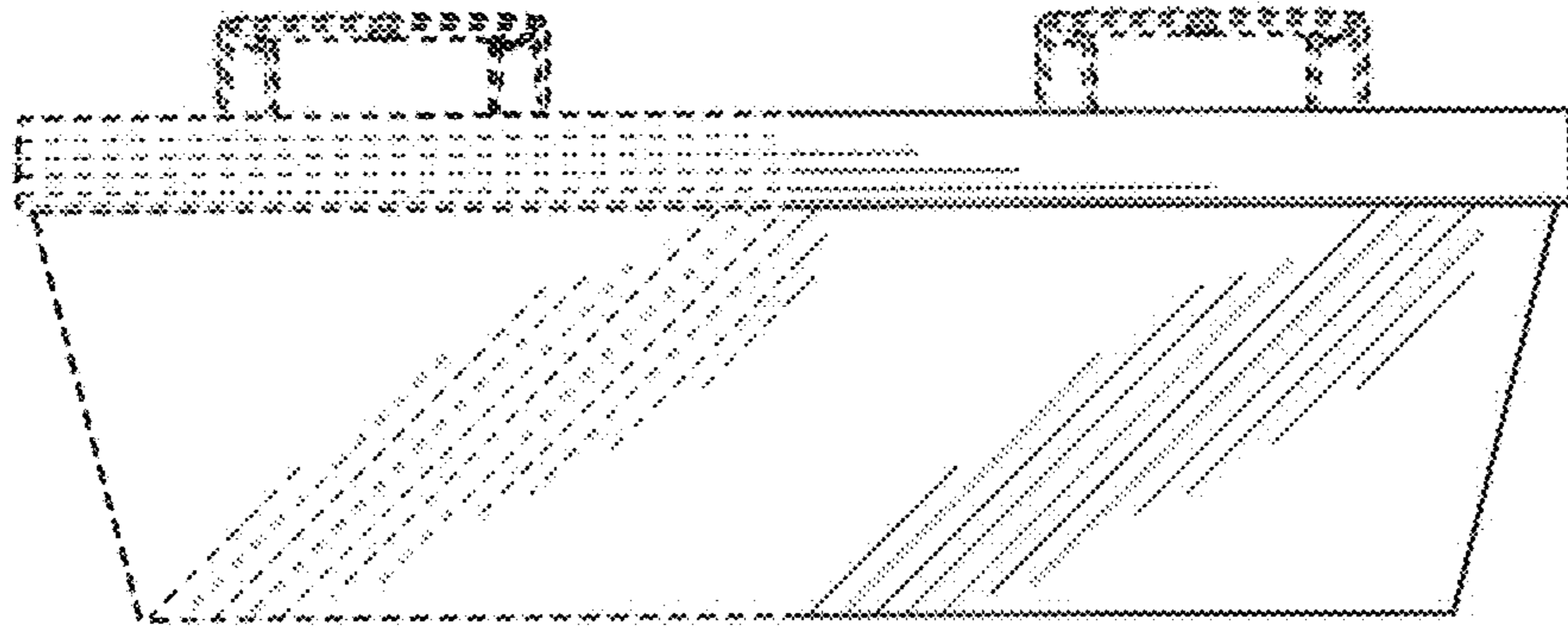


FIG. 5

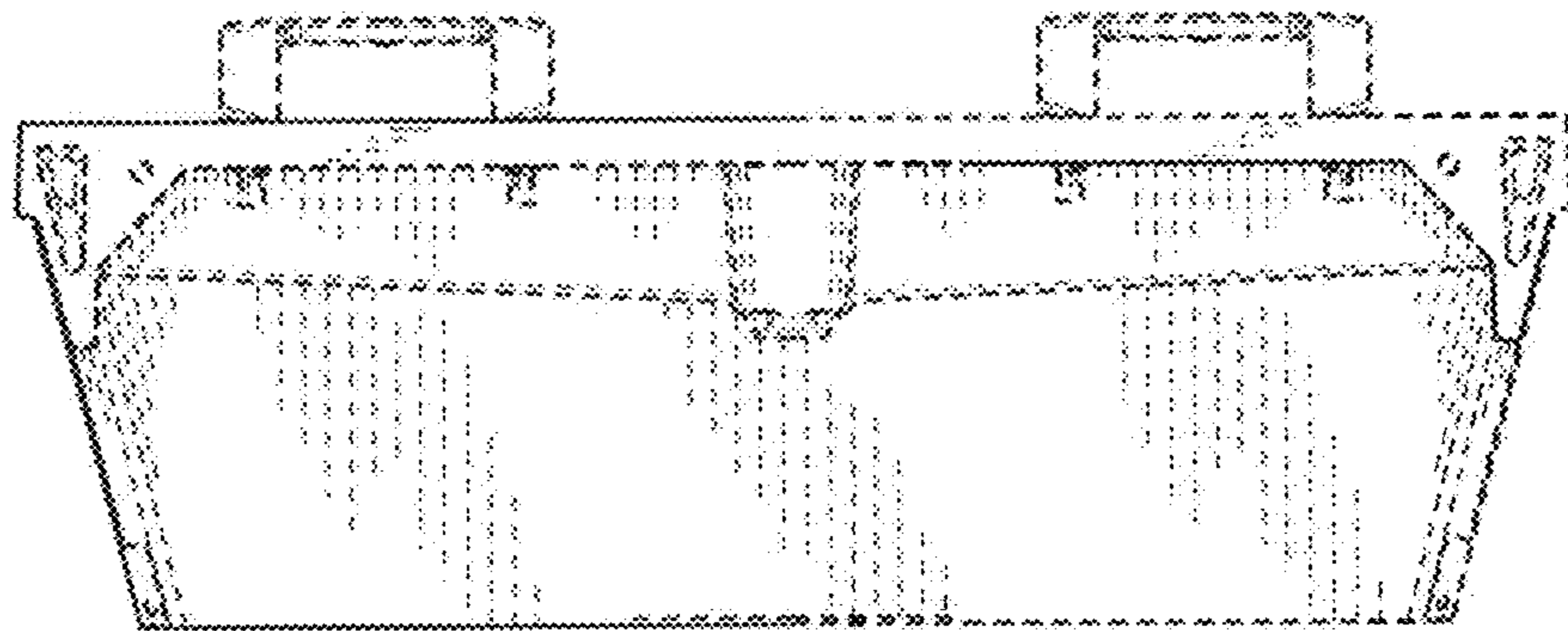


FIG. 6

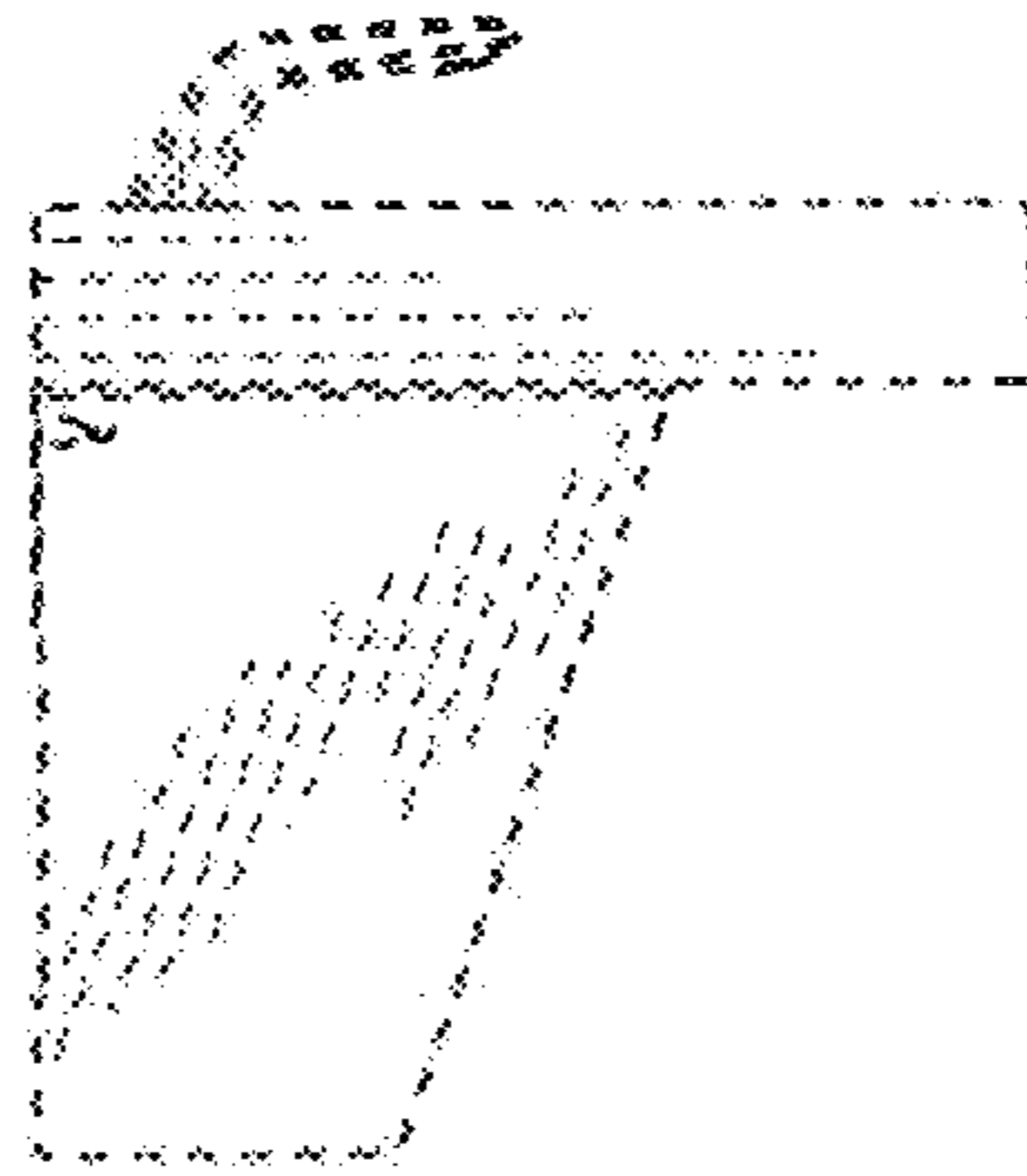


FIG. 7

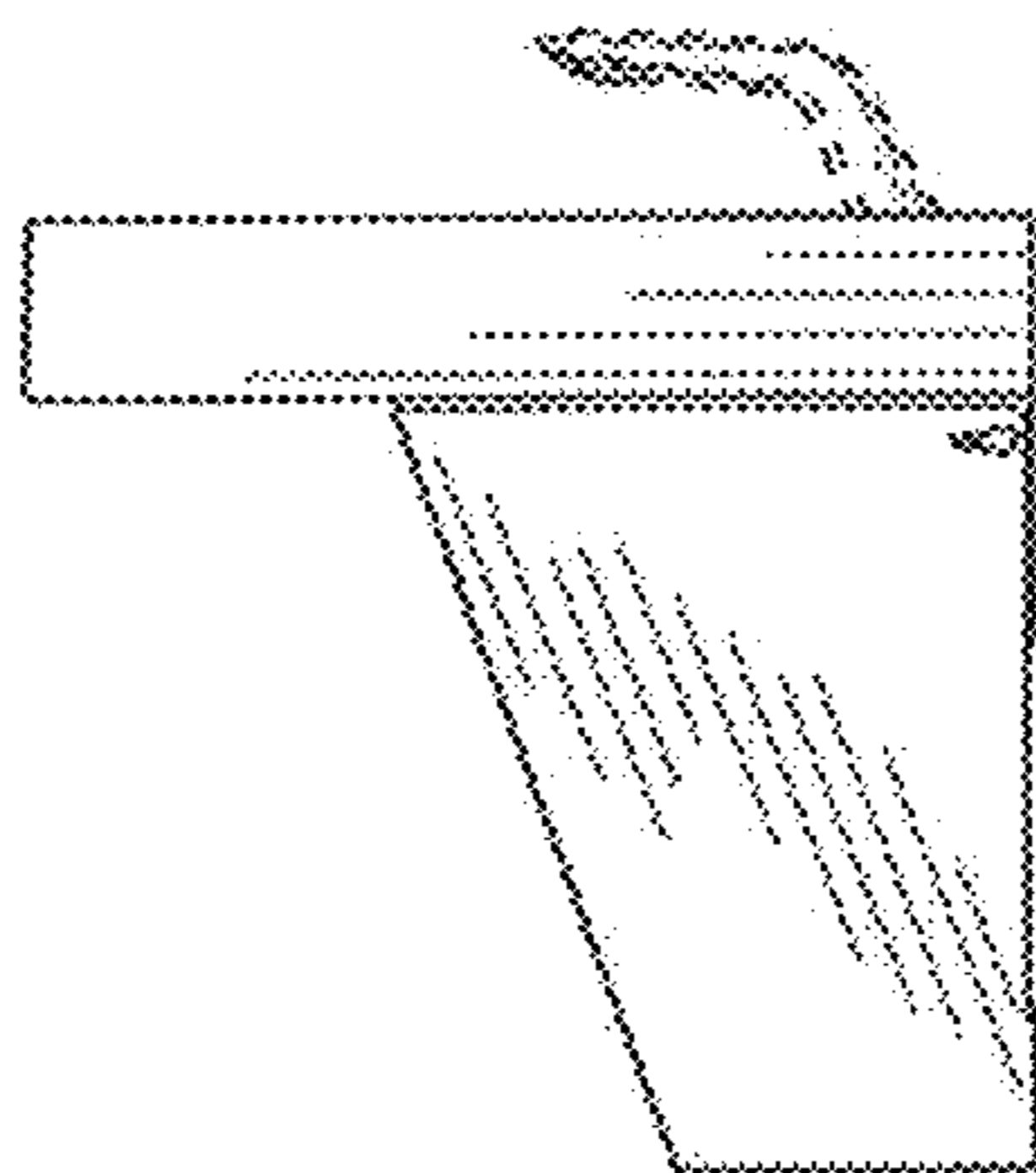


FIG. 8

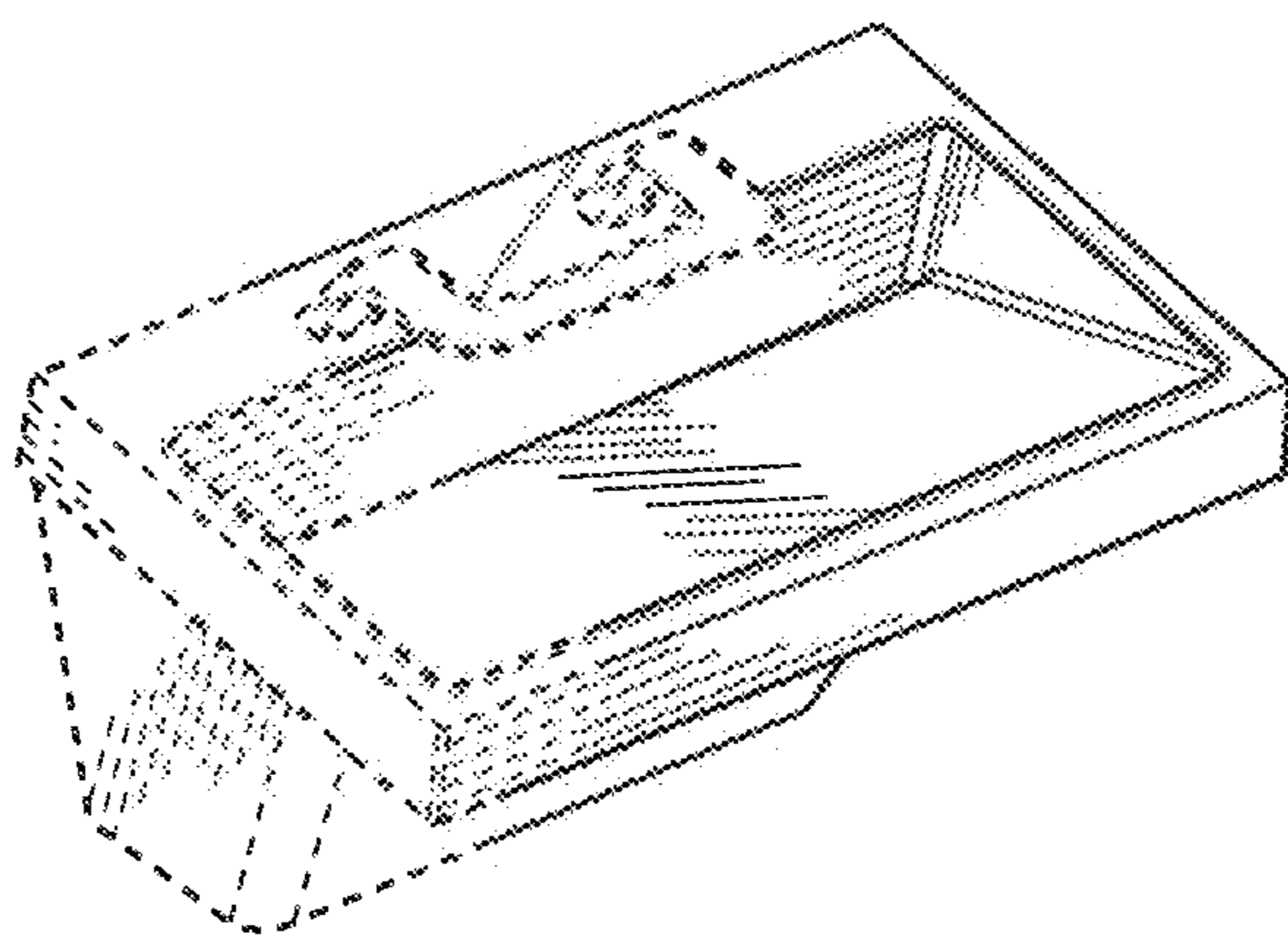


FIG. 9

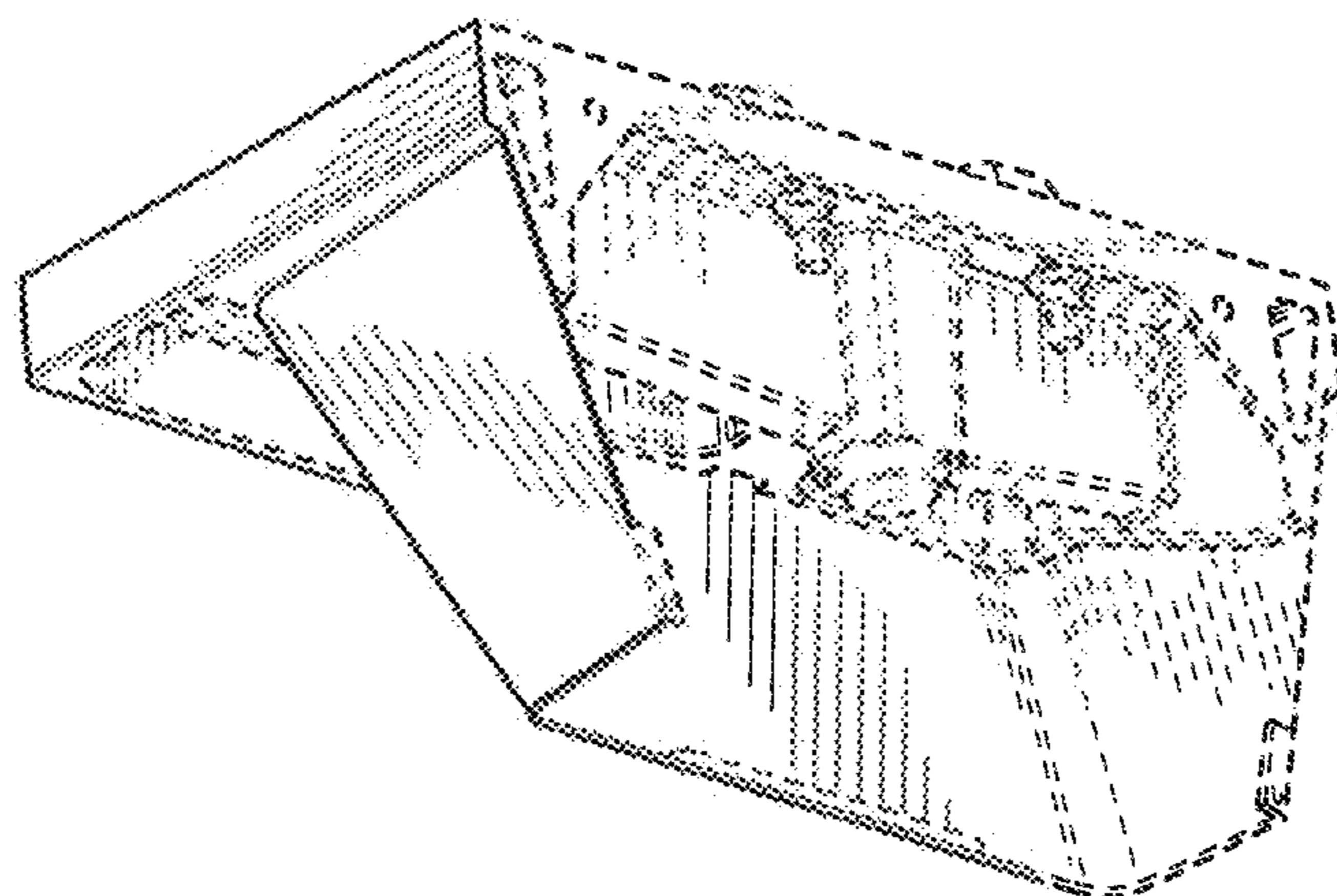


FIG. 10

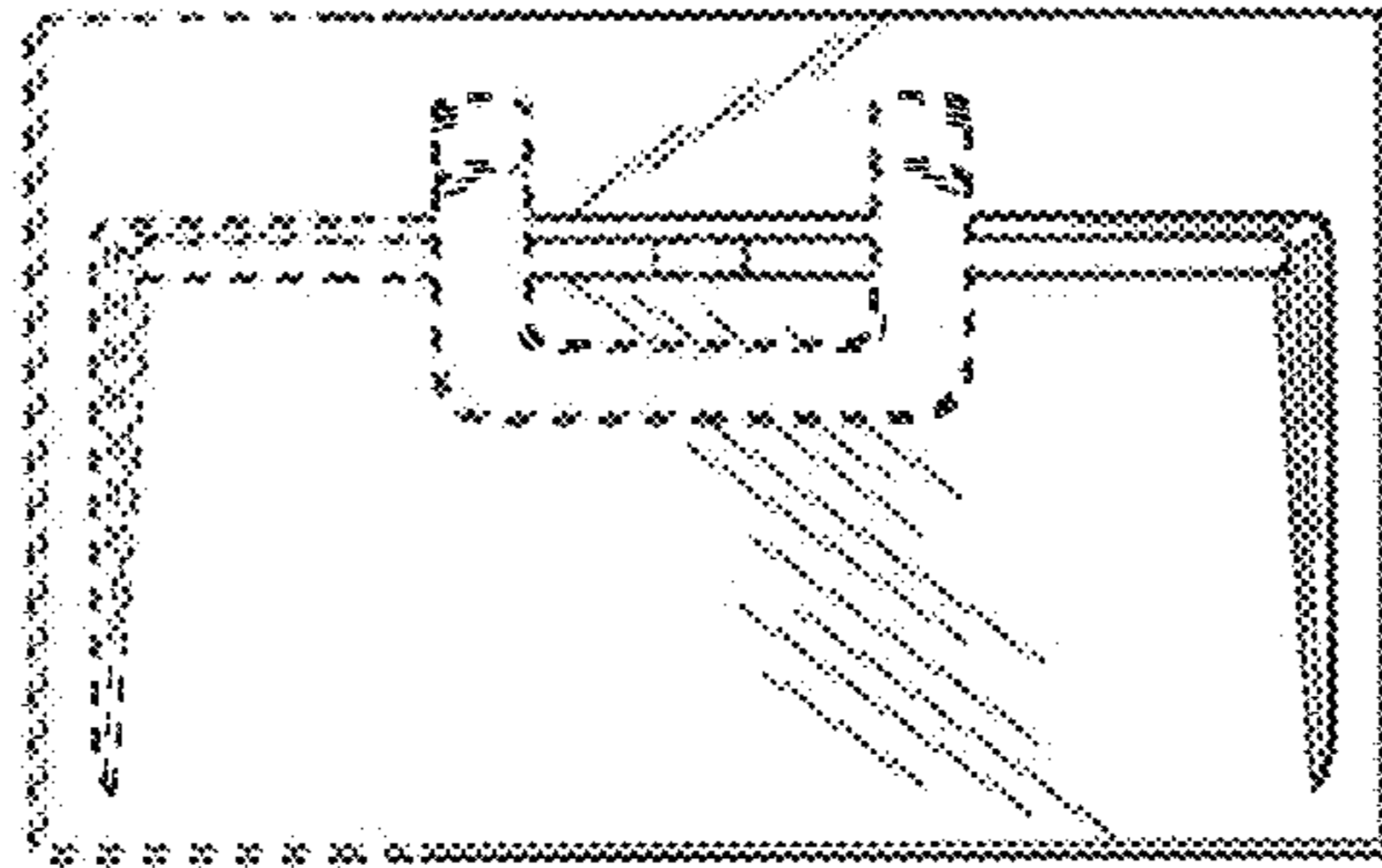


FIG. 11

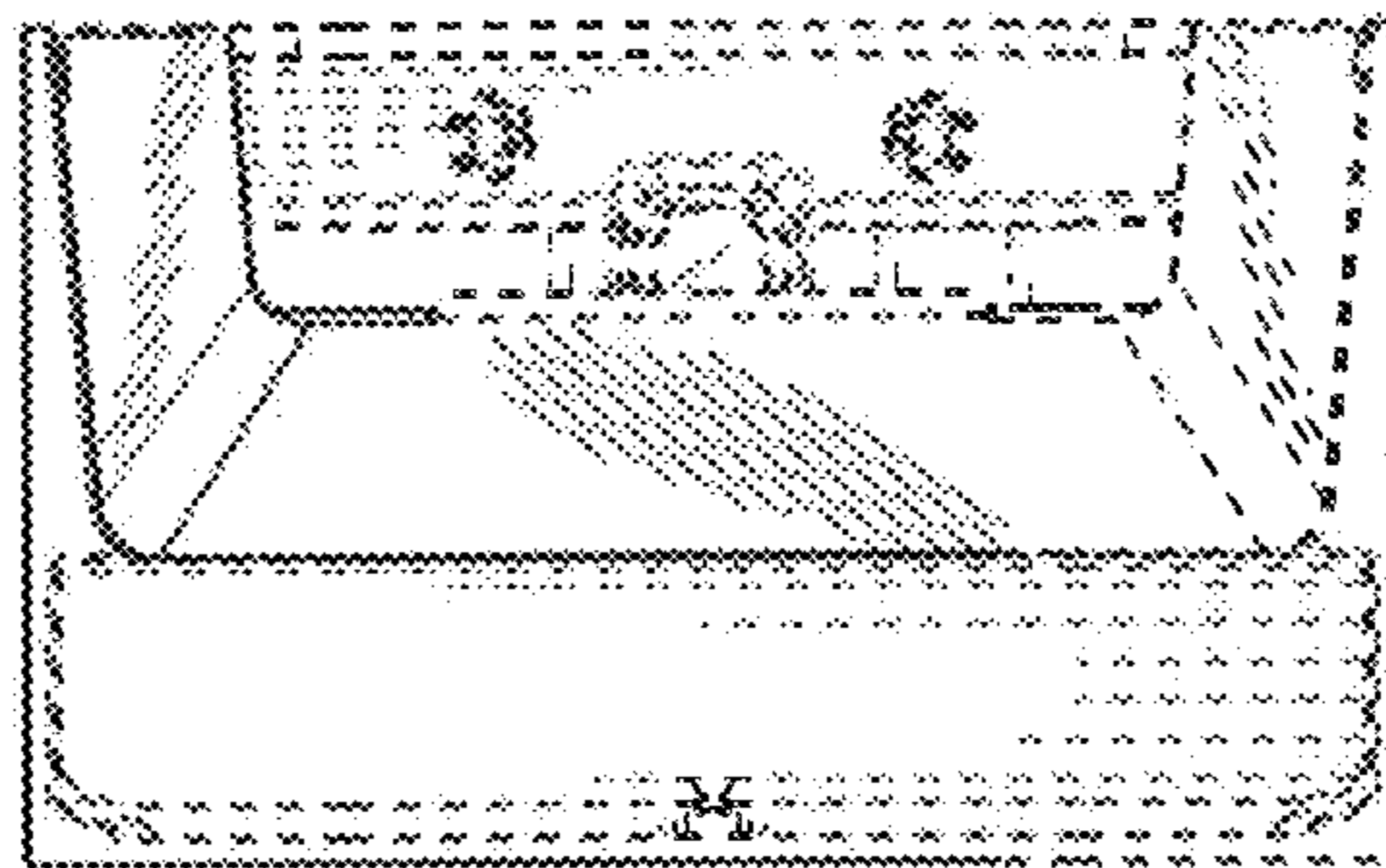


FIG. 12

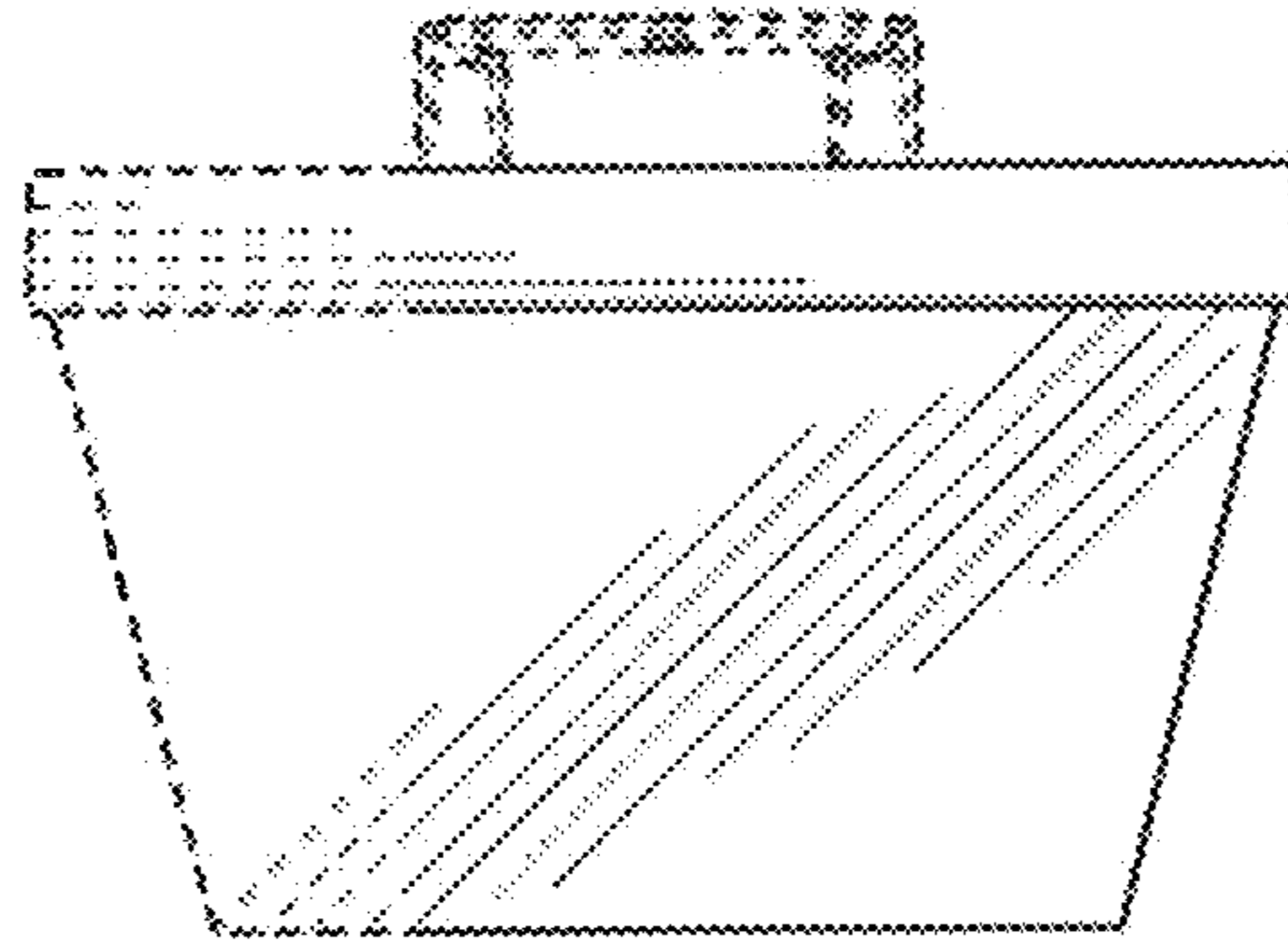


FIG. 13

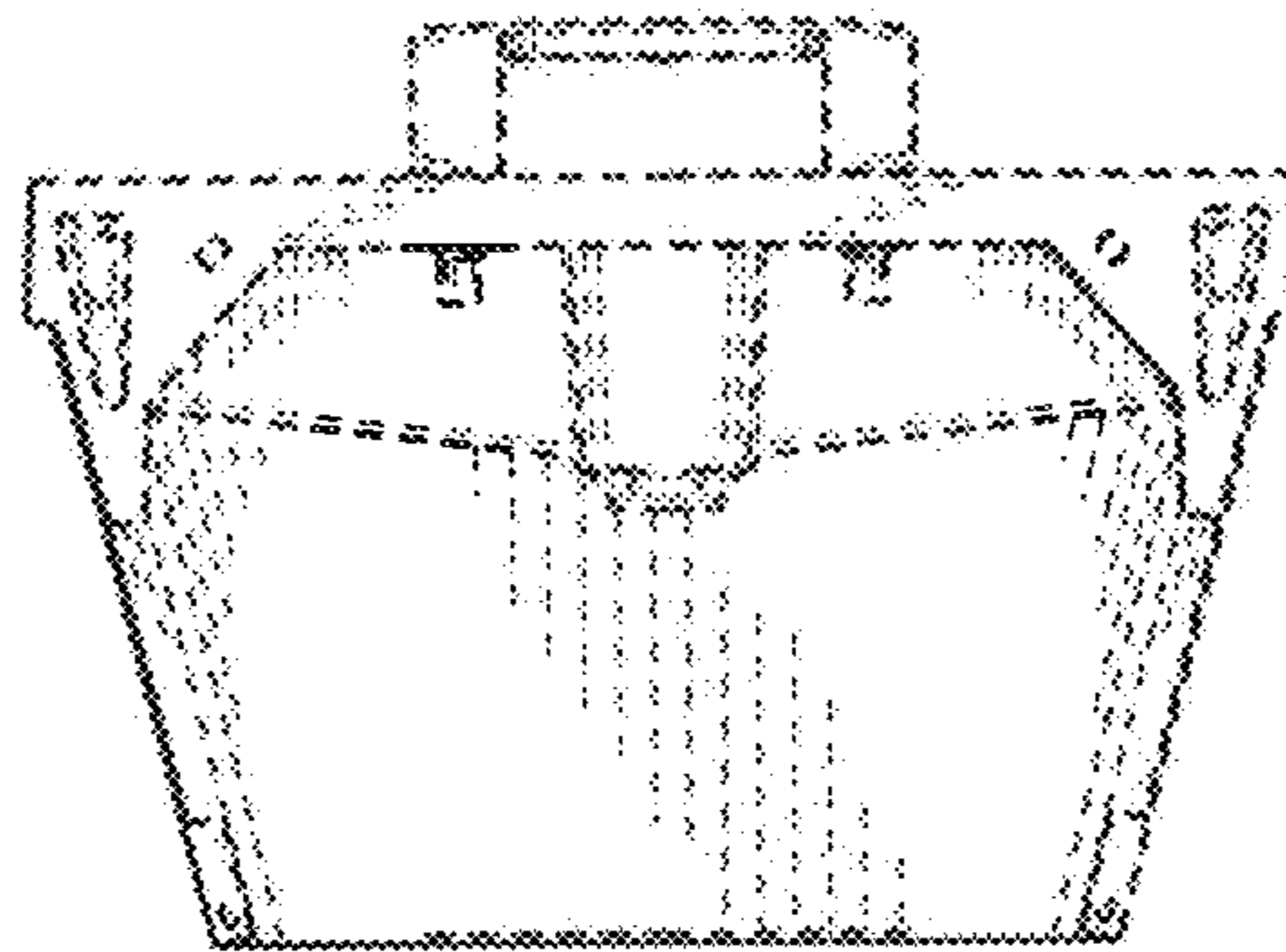


FIG. 14

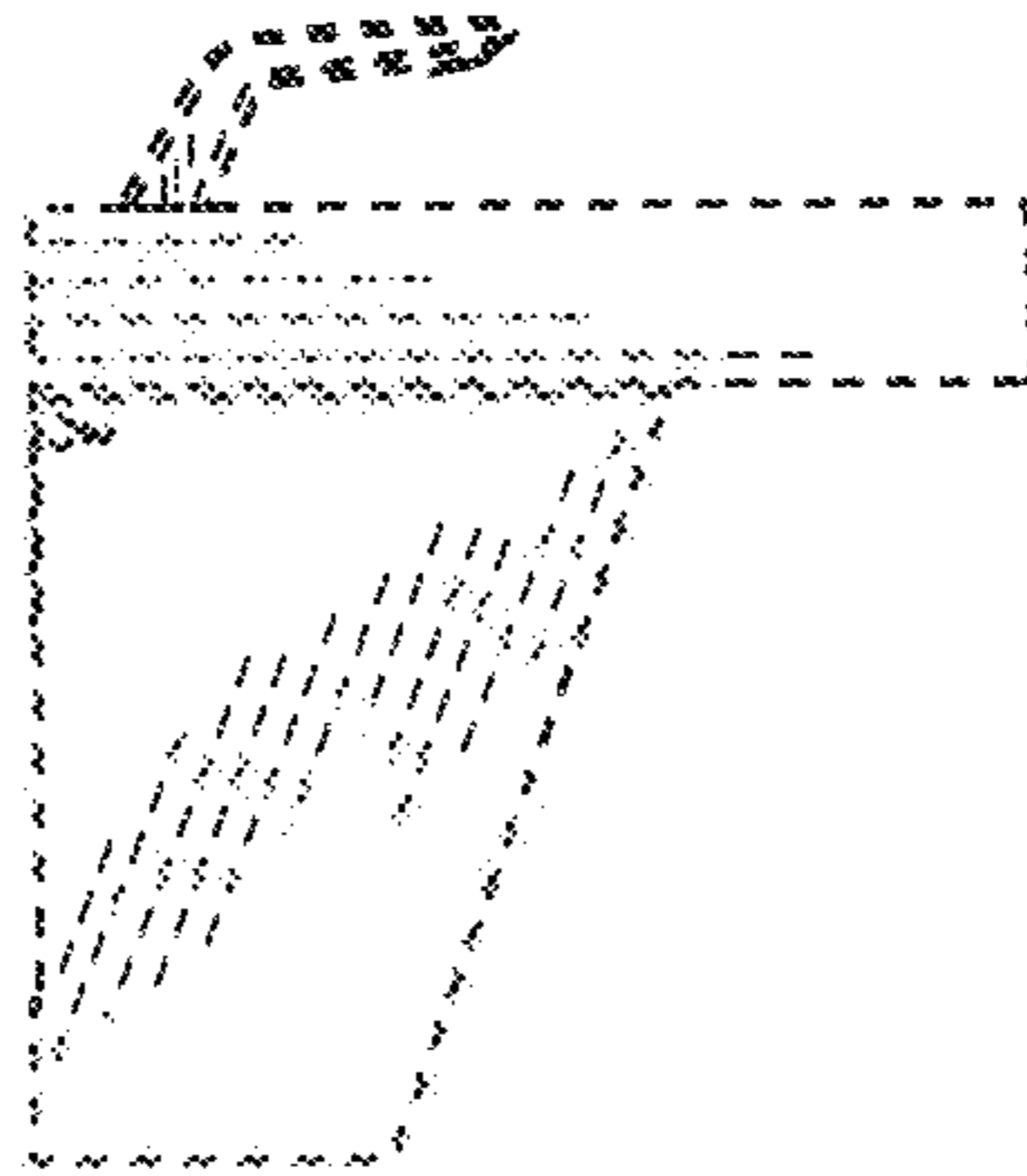


FIG. 15

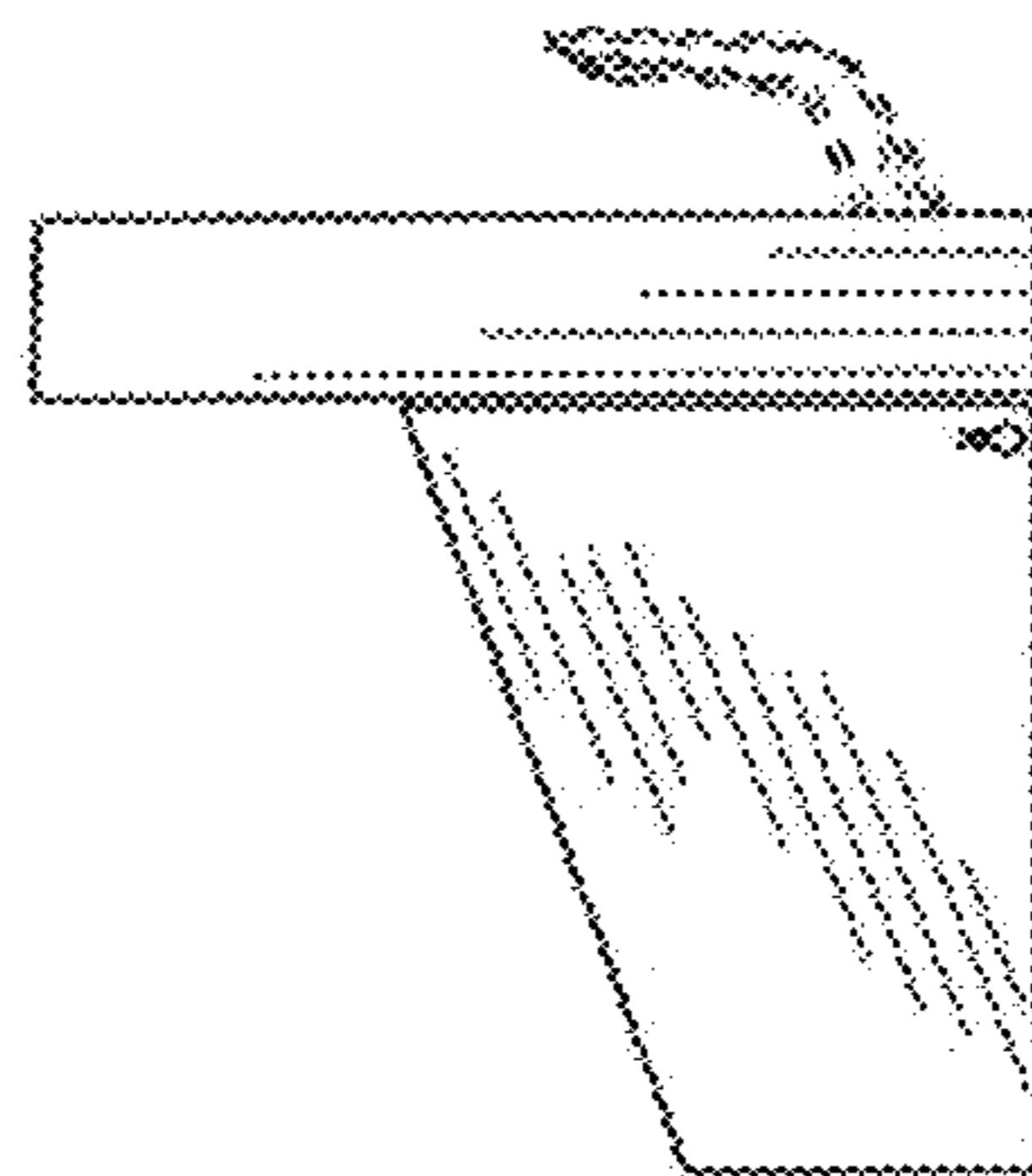


FIG. 16