



US00D824495S

(12) **United States Design Patent**
D'Amico et al.

(10) **Patent No.:** **US D824,495 S**
(45) **Date of Patent:** **** Jul. 31, 2018**

(54) **URINAL SCREEN**

1,186,345 A 6/1916 Sleight
1,430,598 A 10/1922 Sleight
2,046,214 A 6/1936 Selig
(Continued)

(71) Applicant: **GPCP IP HOLDINGS LLC**, Atlanta, GA (US)

(72) Inventors: **Daniel M. D'Amico**, South Salem, NY (US); **Eric P. Peterson**, Mount Horeb, WI (US); **Todd Lappi**, Atlanta, GA (US); **David A. Hoadley**, Hortonville, WI (US)

FOREIGN PATENT DOCUMENTS

AU 636863 B2 5/1993
AU 2015100064 A4 2/2015
(Continued)

(73) Assignee: **GPCP IP HOLDINGS LLC**, Atlanta, GA (US)

OTHER PUBLICATIONS

Big D Industries, Inc., "The Pearl 3D (brochure)", 1 page, retrieved from <<http://www.bigdind.com/product.aspx?id=BigD118>>, on Jan. 26, 2016.

(**) Term: **15 Years**

(Continued)

(21) Appl. No.: **29/626,097**

(22) Filed: **Nov. 15, 2017**

Primary Examiner — Eric L Goodman
Assistant Examiner — Amy C Wierenga
(74) *Attorney, Agent, or Firm* — Alston & Bird LLP

Related U.S. Application Data

(62) Division of application No. 29/578,135, filed on Sep. 19, 2016, now Pat. No. Des. 806,836.

(51) **LOC (11) Cl.** **23-01**

(52) **U.S. Cl.**
USPC **D23/261**

(58) **Field of Classification Search**
USPC D23/209–210, 259–261, 309–310, 312; 4/136, 286–295, 309
CPC ... E03C 1/26; E03C 1/262; E03C 1/28; E03C 1/23; E03C 1/24; E03C 1/264; E03D 13/00; E03D 13/005
See application file for complete search history.

(57) **CLAIM**

We claim the ornamental design for a urinal screen, as shown and described.

DESCRIPTION

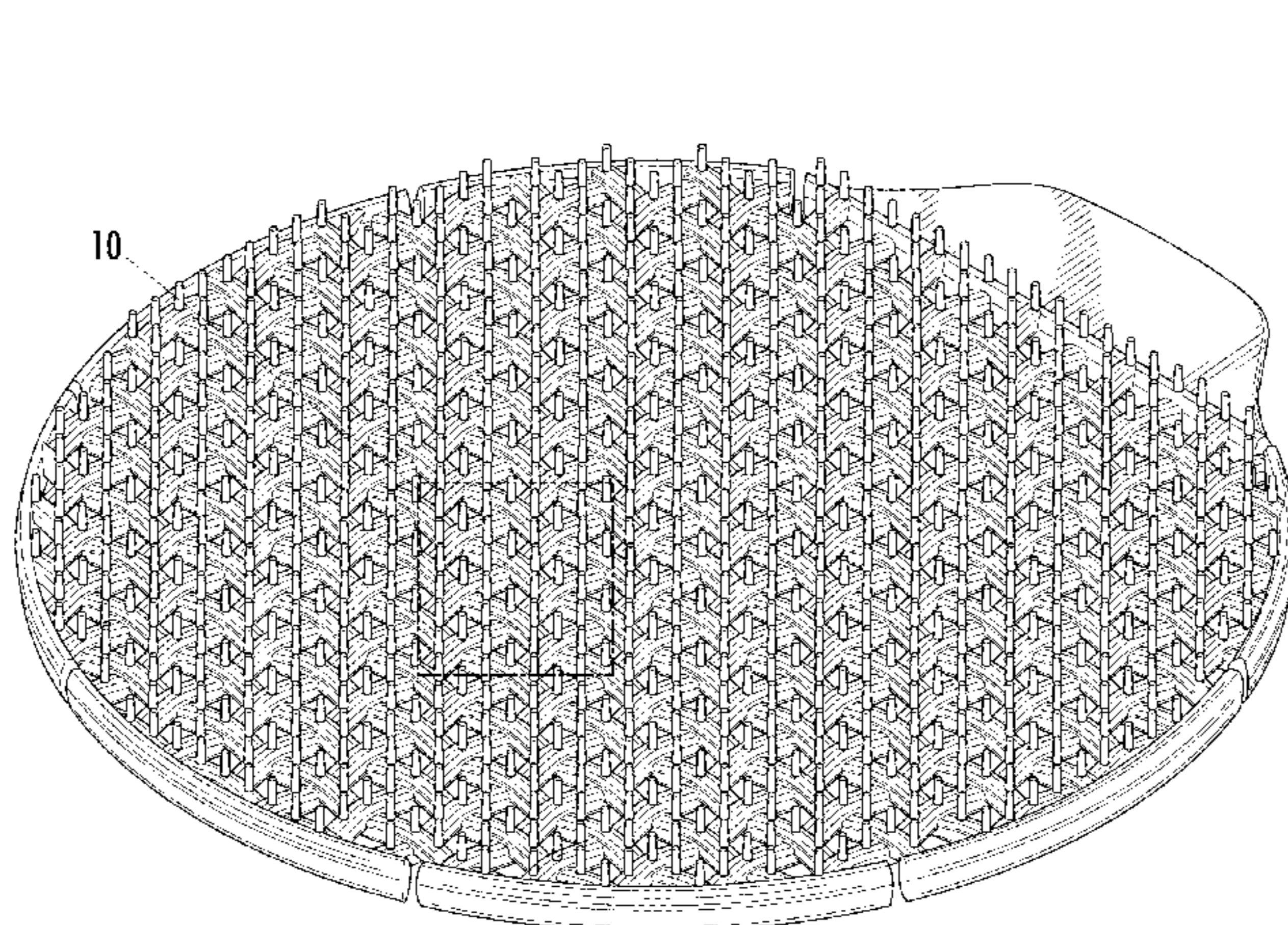
FIG. 1 is a perspective view of a urinal screen showing our new design;
FIG. 2 is a front elevation view thereof;
FIG. 3 is a rear elevation view thereof;
FIG. 4 is a right side elevation view thereof;
FIG. 5 is a left side elevation view thereof;
FIG. 6 is a top plan view thereof;
FIG. 7 is a bottom plan view thereof;
FIG. 8 is a bottom perspective view thereof;
FIG. 9 is an enlarged top plan view of a partial portion of FIG. 6; and,
FIG. 10 is an enlarged perspective view of a partial portion of FIG. 1.

(56) **References Cited**

U.S. PATENT DOCUMENTS

571,275 A 11/1896 Maxwell et al.
647,895 A 4/1900 Burson
675,947 A 6/1901 Hach
683,419 A 9/1901 Burson
927,026 A 7/1909 Clayton

1 Claim, 7 Drawing Sheets



(56)

References Cited

U.S. PATENT DOCUMENTS

2,211,970	A	8/1940	Fischer	D565,611	S	4/2008	Pinchot
2,718,013	A	9/1955	Rajnicek	D565,612	S	4/2008	Pinchot
2,813,631	A	11/1957	Odman	D565,613	S	4/2008	Pinchot
2,974,324	A	3/1961	Lundelius	D565,614	S	4/2008	Pinchot
3,170,169	A	2/1965	Clark	D565,615	S	4/2008	Pinchot
3,248,740	A	5/1966	Wisnom	D566,145	S	4/2008	Pinchot
3,597,772	A	8/1971	Leavitt et al.	D568,349	S	5/2008	Pinchot
3,760,429	A	9/1973	Brownstein	D571,898	S	6/2008	Gilligan
3,994,439	A	11/1976	Van Breen et al.	7,398,565	B1	7/2008	Chou
4,044,405	A	8/1977	Kreiss	7,410,513	B2	8/2008	Requejo et al.
4,095,031	A	6/1978	Engle	D577,416	S	9/2008	Buttgen
4,135,261	A	1/1979	Uhrman	7,461,413	B2	12/2008	Lewis et al.
D253,145	S	10/1979	Adam	D584,863	S	1/2009	Garry et al.
D253,146	S	10/1979	Adam	7,484,675	B2	2/2009	Brown
D255,744	S	7/1980	Dekko	7,618,532	B2	11/2009	Worth
4,215,443	A	8/1980	Babik	D612,914	S	3/2010	Morad
D258,181	S	2/1981	Adam	7,735,694	B2	6/2010	Brown et al.
D258,472	S	3/1981	Adam	D630,714	S	1/2011	Dukes
D259,225	S	5/1981	Scheer	D631,531	S	1/2011	Morad
4,552,692	A	11/1985	Gillespie	7,887,697	B2	2/2011	Worth
4,574,400	A	3/1986	Annowsky	7,921,479	B2	4/2011	Hunter
4,574,403	A	3/1986	Dintemann et al.	D639,410	S	6/2011	Ramirez
4,671,976	A	6/1987	Vidal	8,007,707	B1	8/2011	Brown et al.
4,761,437	A	8/1988	Christie	8,043,606	B2	10/2011	MacBeath et al.
5,019,346	A	5/1991	Richter et al.	D655,793	S	3/2012	Emr
D329,893	S	9/1992	Luedtke et al.	8,127,969	B2	3/2012	Brown et al.
5,165,119	A	11/1992	Yamato	D662,573	S	6/2012	Rogalski
D332,302	S	1/1993	Brown	D664,571	S	7/2012	Beyer et al.
5,312,624	A	5/1994	Richter et al.	D678,482	S	3/2013	Williams
5,313,672	A	5/1994	Luedtke et al.	D678,483	S	3/2013	Barker
5,336,424	A	8/1994	Van Vlahakis et al.	D686,255	S	7/2013	Fu et al.
5,365,616	A	11/1994	Morad	D687,471	S	8/2013	Fu et al.
D353,445	S	12/1994	Morad	8,856,977	B2	10/2014	Ramirez
5,379,917	A	1/1995	Brown et al.	D718,844	S	12/2014	Johansen
D355,807	S	2/1995	O'Rourke	D718,845	S	12/2014	Johansen
5,398,347	A	3/1995	Luedtke et al.	8,916,140	B2	12/2014	MacBeath et al.
5,489,415	A	2/1996	Van Vlahakis et al.	D724,702	S	3/2015	D'Amico
D370,938	S	6/1996	Roach	8,974,736	B2	3/2015	Brown et al.
5,567,389	A	10/1996	Birbara et al.	9,027,172	B2	5/2015	Fima
5,595,324	A	1/1997	Brown et al.	D746,955	S	1/2016	Corder
5,604,937	A	2/1997	Davenport	9,243,394	B2 *	1/2016	Brown E03D 13/00
D393,896	S	4/1998	Wagner et al.	9,303,396	B1	4/2016	Pernici et al.
5,774,905	A	7/1998	Wager et al.	9,309,658	B1	4/2016	Pernici et al.
5,799,826	A	9/1998	Brown et al.	D759,792	S	6/2016	Flury
5,809,590	A	9/1998	Williams et al.	D773,016	S *	11/2016	Jones D23/261
5,813,058	A	9/1998	Quigley et al.	D778,411	S	2/2017	Brown et al.
D410,281	S	5/1999	Walker	D778,412	S	2/2017	Brown et al.
6,055,681	A	5/2000	Lyons	D790,042	S *	6/2017	Ramirez D23/261
6,062,425	A	5/2000	Brown et al.	D803,992	S *	11/2017	Huber E04D 13/0409
D427,295	S	6/2000	Wagner				D23/261
D428,120	S	7/2000	Zaldivar	D805,613	S *	12/2017	D'Amico D23/261
6,081,937	A	7/2000	Whitacre	D806,835	S *	1/2018	D'Amico D23/261
6,197,321	B1	3/2001	Richter et al.	D806,836	S *	1/2018	D'Amico D23/261
6,269,490	B1	8/2001	Suski et al.	D806,837	S *	1/2018	D'Amico D23/261
D456,492	S	4/2002	Lourens	2004/0034909	A1	2/2004	Grueser
D464,122	S	10/2002	Mangan	2004/0194198	A1 *	10/2004	Casari E03D 13/00
D479,313	S	9/2003	Navarra				4/309
6,631,852	B1	10/2003	O'Leary	2006/0260032	A1	11/2006	Smartt
6,640,350	B1	11/2003	Deutsch	2007/0023539	A1	2/2007	Brown et al.
D486,341	S	2/2004	Ruhl et al.	2007/0044221	A1	3/2007	Wise
6,698,035	B1 *	3/2004	Grueser E03D 13/00	2007/0186337	A1	8/2007	Emr
			4/301	2007/0266486	A1	11/2007	Ramirez
6,729,506	B2	5/2004	Brown et al.	2008/0098505	A1	5/2008	Casari
6,769,631	B2	8/2004	Brown	2008/0292855	A1	11/2008	Manderfield et al.
6,823,533	B2	11/2004	Casari	2010/0183694	A1	7/2010	Burke et al.
6,920,648	B1	7/2005	Suski et al.	2010/0199412	A1	8/2010	McAlpine
D520,610	S	5/2006	Wrate	2010/0257664	A1	10/2010	Kener
7,100,801	B2	9/2006	Brown et al.	2011/0070279	A1	3/2011	Chang
D530,215	S	10/2006	Brown et al.	2011/0289665	A1	12/2011	Lees
7,202,201	B1	4/2007	Williams	2011/0296597	A1	12/2011	Brown et al.
D552,308	S	10/2007	Farr	2012/0137419	A1	6/2012	Hofeling et al.
D564,550	S	3/2008	Pinchot	2013/0031708	A1	2/2013	Sensel
D564,551	S	3/2008	Pinchot	2013/0067651	A1	3/2013	Brown et al.
D565,067	S	3/2008	Pinchot	2014/0007336	A1	1/2014	Mills et al.
D565,610	S	4/2008	Pinchot	2014/0068848	A1	3/2014	Neo
				2014/0075663	A1 *	3/2014	Irwin E03D 13/005
							4/292
				2014/0076358	A1	3/2014	Irwin et al.
				2014/0076983	A1	3/2014	Irwin et al.

(56)

References Cited

U.S. PATENT DOCUMENTS

2014/0076984	A1	3/2014	Irwin et al.	
2014/0076991	A1	3/2014	Irwin et al.	
2014/0157501	A1	6/2014	D'Amico	
2014/0165277	A1	6/2014	Schmed et al.	
2014/0250577	A1	9/2014	Nakamura et al.	
2014/0259344	A1	9/2014	Muderlak et al.	
2015/0013780	A1	1/2015	Watkins	
2015/0047114	A1	2/2015	Ramirez	
2015/0284940	A1	10/2015	Kobal	
2016/0102451	A1	4/2016	Brown et al.	
2016/0122992	A1	5/2016	Brown et al.	
2016/0138256	A1	5/2016	Abbas et al.	
2016/0215490	A1	7/2016	Keune	
2017/0067243	A1	3/2017	Valencia Garcia	
2017/0087266	A1	3/2017	Graham et al.	
2017/0096808	A1	4/2017	D'Amico	
2018/0023278	A1*	1/2018	Brown	E03D 13/005

FOREIGN PATENT DOCUMENTS

CA	1193199	A1	9/1985
DE	19832716	A1	1/2000
DE	102013108149	A1	2/2015
GB	2473055	A	3/2011
WO	WO-1994/020407	A1	9/1994
WO	WO-1997/011234	A1	3/1997
WO	WO-2004/055768	A1	7/2004
WO	WO-2008/089497	A1	7/2008
WO	WO-2010/091862	A1	8/2010
WO	WO-2014/043725	A1	3/2014
WO	WO-2014/200400	A1	12/2014
WO	WO-2015/088303	A1	6/2015
ZA	200105073	A	1/2002

OTHER PUBLICATIONS

Dustbane Catalogue, 3-D Shield, website, http://www.dustbane.ca/product_sheet/en/3D_Shield-en-sm.pdf, Copyright 2016, Found Oct. 3, 2016.

EKCOS, "EKCOS 30-Day Anti-Splash Protection", Copyright 2015, retrieved from http://ekcos.com/restrooms_antisplash.html on Mar. 3, 2016, 11 pages.

EKCOS, "ekcoscreen", Nov. 16, 2010 to Jan. 11, 2016, Internet Archive <http://web.archive.org/web/20101116091823/http://www.ekcos.com/>, 1 page.

Fresh Products, "Dome Urinal Screen (formerly known as RemindAir)", 2 pages, retrieved from <http://freshproducts.com/dome-urinal-screen.html>, on Jan. 26, 2016.

Fresh Products, "Eco Bowl Clip 2.0", Mar. 27, 2014 to Jan. 16, 2016, Internet Archive <http://web.archive.org/web/20160116002414/http://freshproducts.com/eco-bowl-clip.html>, 2 pages.

Fresh Products, "Eco-Air", 2016 Catalog, p. 7, retrieved from http://freshproducts.com/media/wysiwyg/Literature/Fresh_Products_2016_Catalog_102915.pdf on Jan. 26, 2016.

Fresh Products, "Toilet and Urinal—Fresh Products, Keeping Your World Smelling Fresh", retrieved from <http://freshproducts.com/our-products/toilet-urinal>, on Oct. 6, 2015, 2 pages.

Fresh Products, "Wave 2.0", Apr. 6, 2014 to Jan. 3, 2016, Internet Archive http://web.archive.org/web/*/http://freshproducts.com/wave-2-0.html, 4 pages.

Fresh Products, "Wave 3D", May 1, 2015 to Jan. 16, 2016, Internet Archive <http://web.archive.org/web/20160116045345/http://freshproducts.com/wave-3d.html>, 3 pages.

Fresh Products, "Wave Deodorant Screen", Aug. 29, 2014 to May 26, 2015, Internet Archive http://web.archive.org/web/*/http://freshproducts.com/wave-deodorant-screen.html, 4 pages.

Hospesco, "Airworks Urinal Screens", 2 pages, retrieved from <https://www.hospesco.com/Products/AirWorks%20Complementary%20Air%20Care/AirWorks%20Urinal%20Screens>, on Jan. 26, 2016.

Hospesco, "Health Gards® Urinal Screen With Non-Para Block", 6 pages, retrieved from <https://www.hospesco.com/product/019>, on Jan. 26, 2016.

Impact, "Z-Screen™ Deodorizing Urinal Screens", May 2, 2014 to May 4, 2015, Internet Archive http://web.archive.org/web/*/http://catalog.impact-products.com/viewitems/urinal-screens/z-screen%E2%84%A2-deodorizing-urinal-screens, 2 pages.

Rochester Midland Corporation, "Sanor Breeze Screen", Oct. 19, 2014 to Oct. 19, 2014, Internet Archive http://web.archive.org/web/20141019152331/http://www.rochestermidland.com/products/personal_care/get_specs.cfm?PRODUCT_CODE=25190487, 1 page.

Vectair Systems Inc., "Vectair V-Screen (brochure)", 2015, 2 pages, retrieved from <http://www.vectairsystems.com/products/wash-room/v-screen-urinal-screens/>, on Jan. 26, 2016.

Design U.S. Appl. No. 29/541,529, filed Oct. 5, 2015; In re: D'Amico et al., entitled *Urinal Screen*.

Design U.S. Appl. No. 29/553,957, filed Feb. 5, 2016; In re: D'Amico et al., entitled *Urinal Screen*.

Design U.S. Appl. No. 29/578,135, filed Sep. 19, 2016; In re: D'Amico et al., entitled *Urinal Screen*.

Design U.S. Appl. No. 29/578,140, filed Sep. 19, 2016; In re: D'Amico et al., entitled *Urinal Screen*.

Office Action for U.S. Appl. No. 29/541,529, dated Apr. 26, 2017, 22 pages.

Ex Parte Quayle Action for U.S. Appl. No. 29/553,957, dated Jun. 29, 2017, 19 pages.

Ex Parte Quayle Action for U.S. Appl. No. 29/578,135 dated Jul. 3, 2017, 28 pages.

Ex Parte Quayle Action for U.S. Appl. No. 29/578,140 dated Jul. 3, 2017, 28 pages.

Notice of Allowance for U.S. Appl. No. 29/541,529, dated Aug. 17, 2017, 16 pages.

Notice of Allowance for U.S. Appl. No. 29/553,957, dated Aug. 17, 2017, 6 pages.

Notice of Allowance for U.S. Appl. No. 29/578,140, dated Sep. 8, 2017, 7 pages.

Notice of Allowance for U.S. Appl. No. 29/578,135, dated Sep. 12, 2017, 8 pages.

* cited by examiner

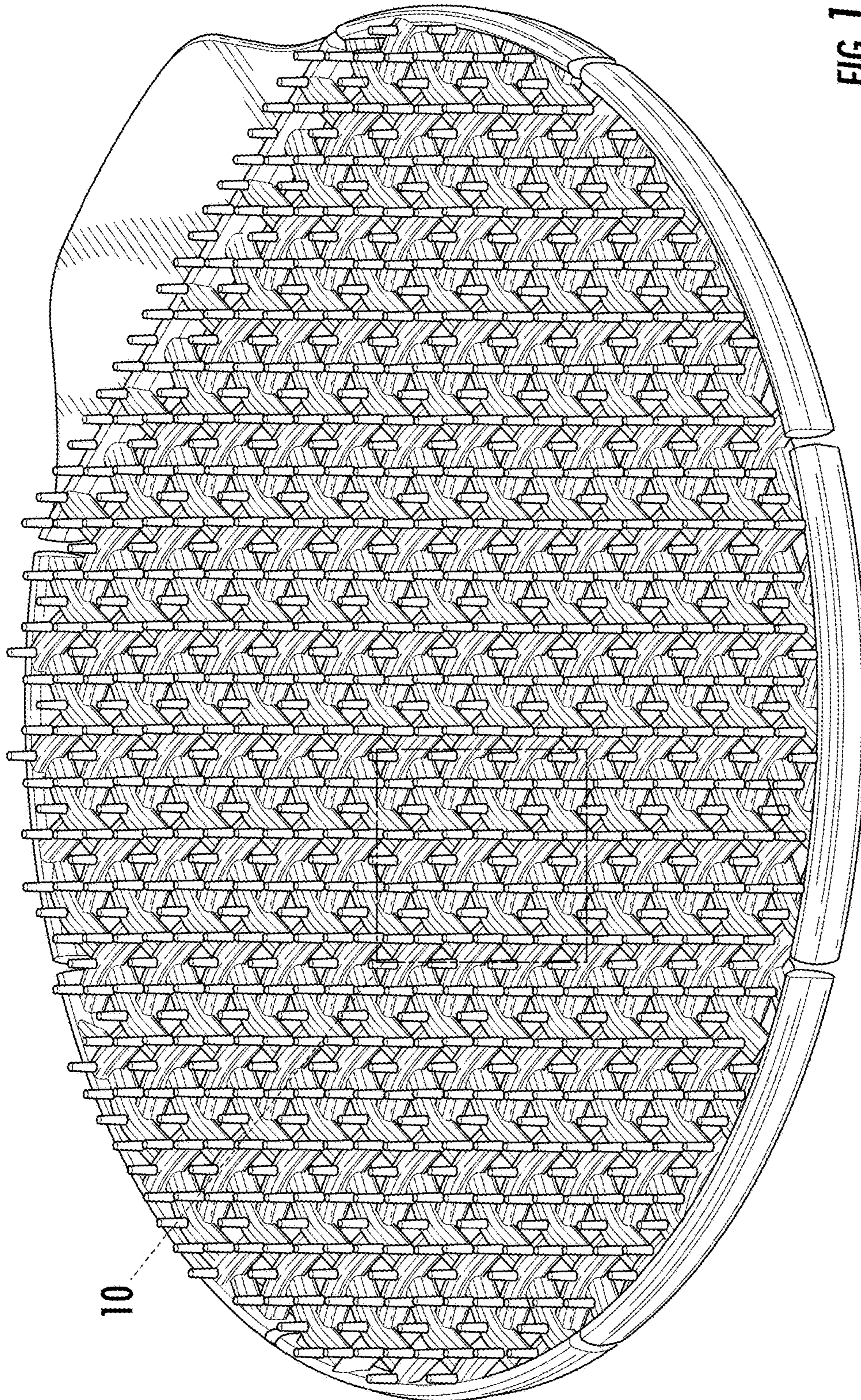


FIG. 1

10

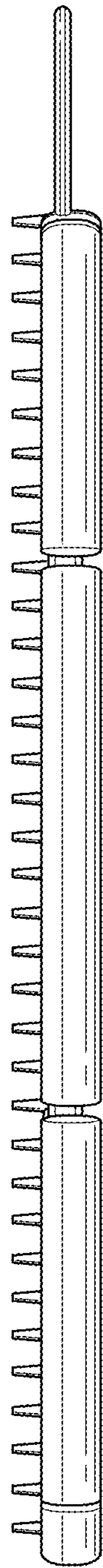


FIG. 2

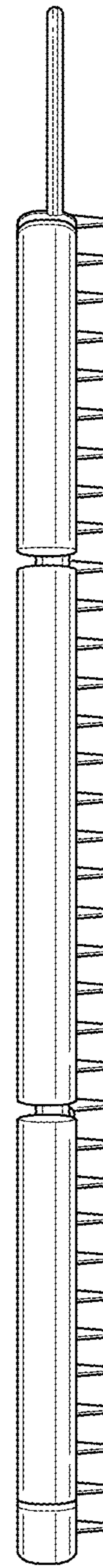


FIG. 3

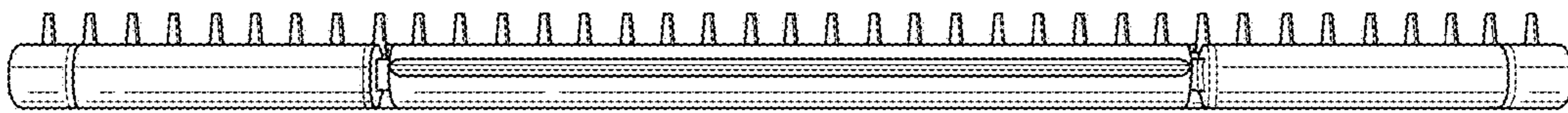


FIG. 4

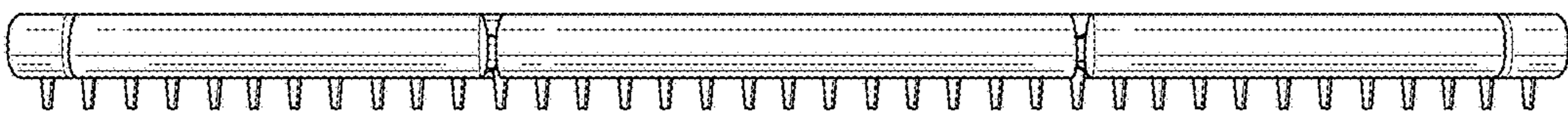


FIG. 5

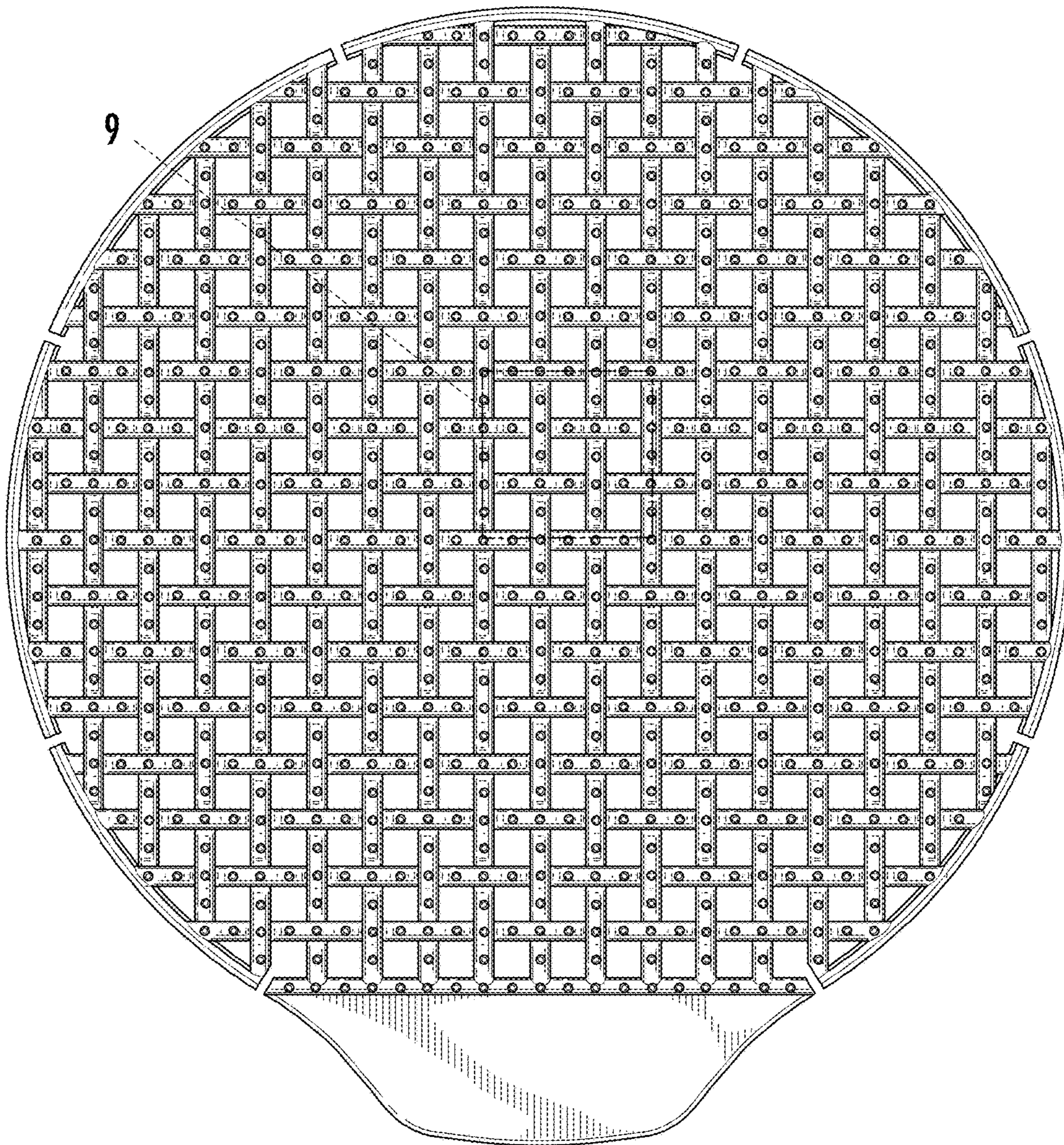


FIG. 6

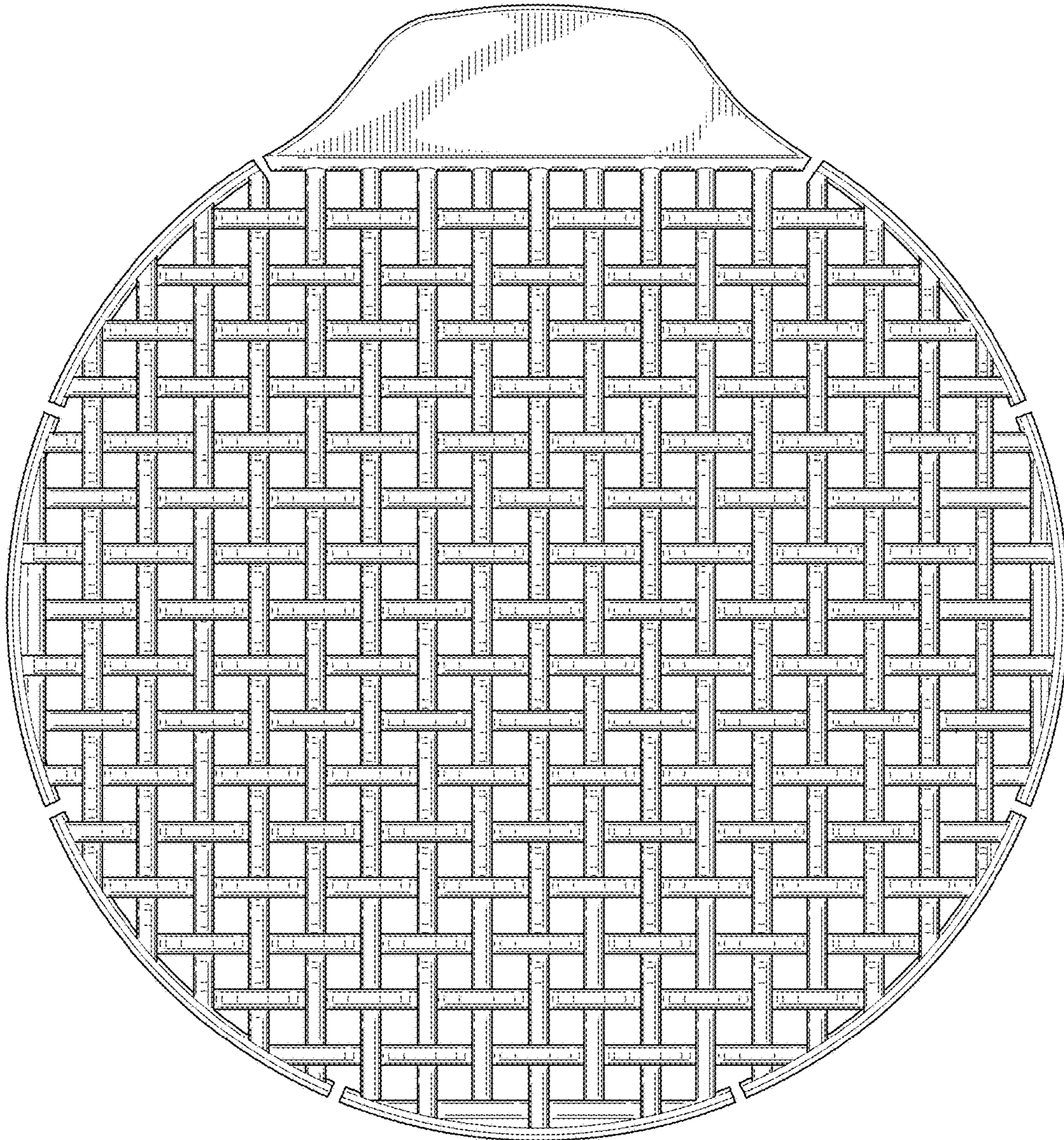


FIG. 7

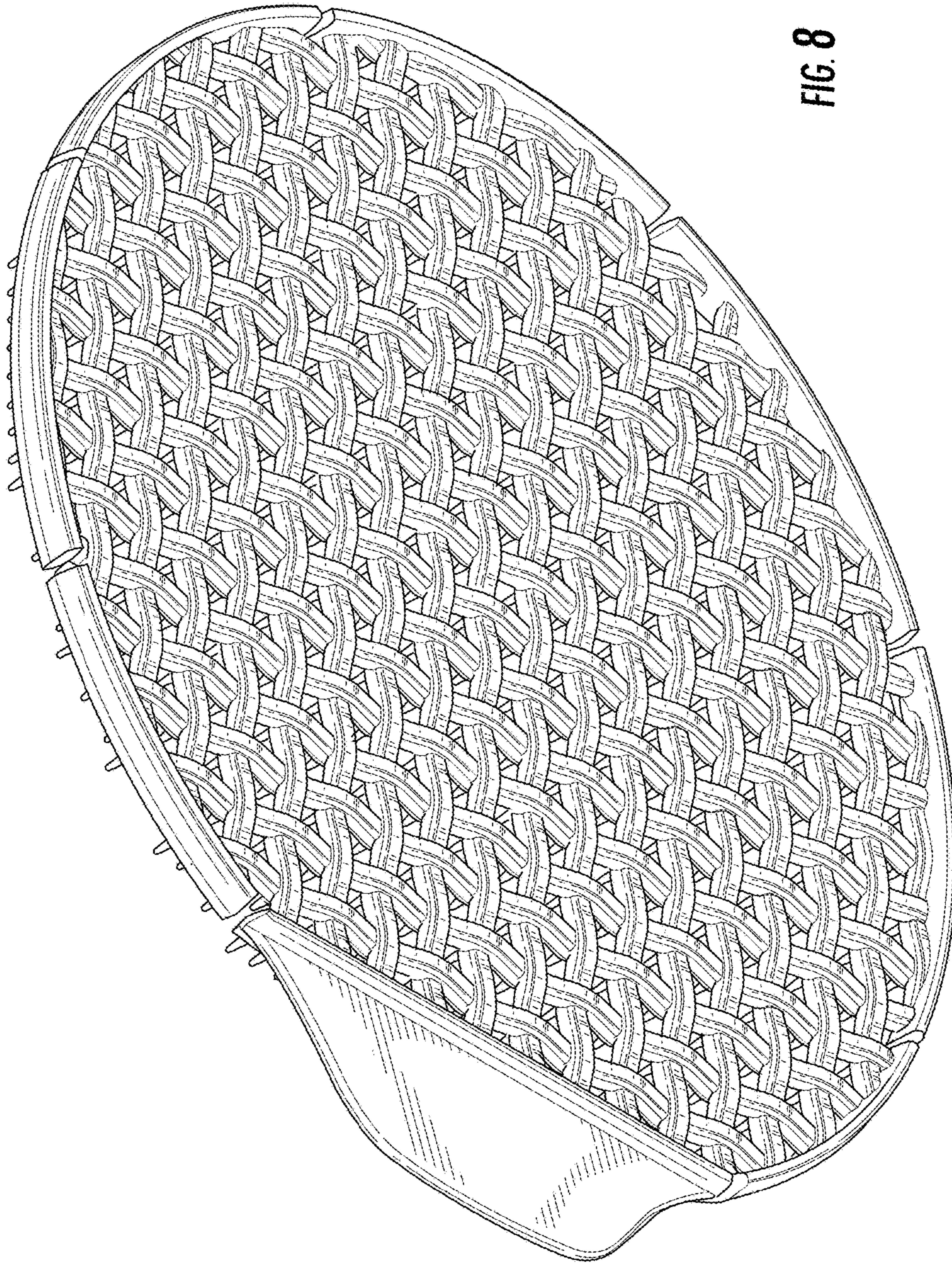


FIG. 8

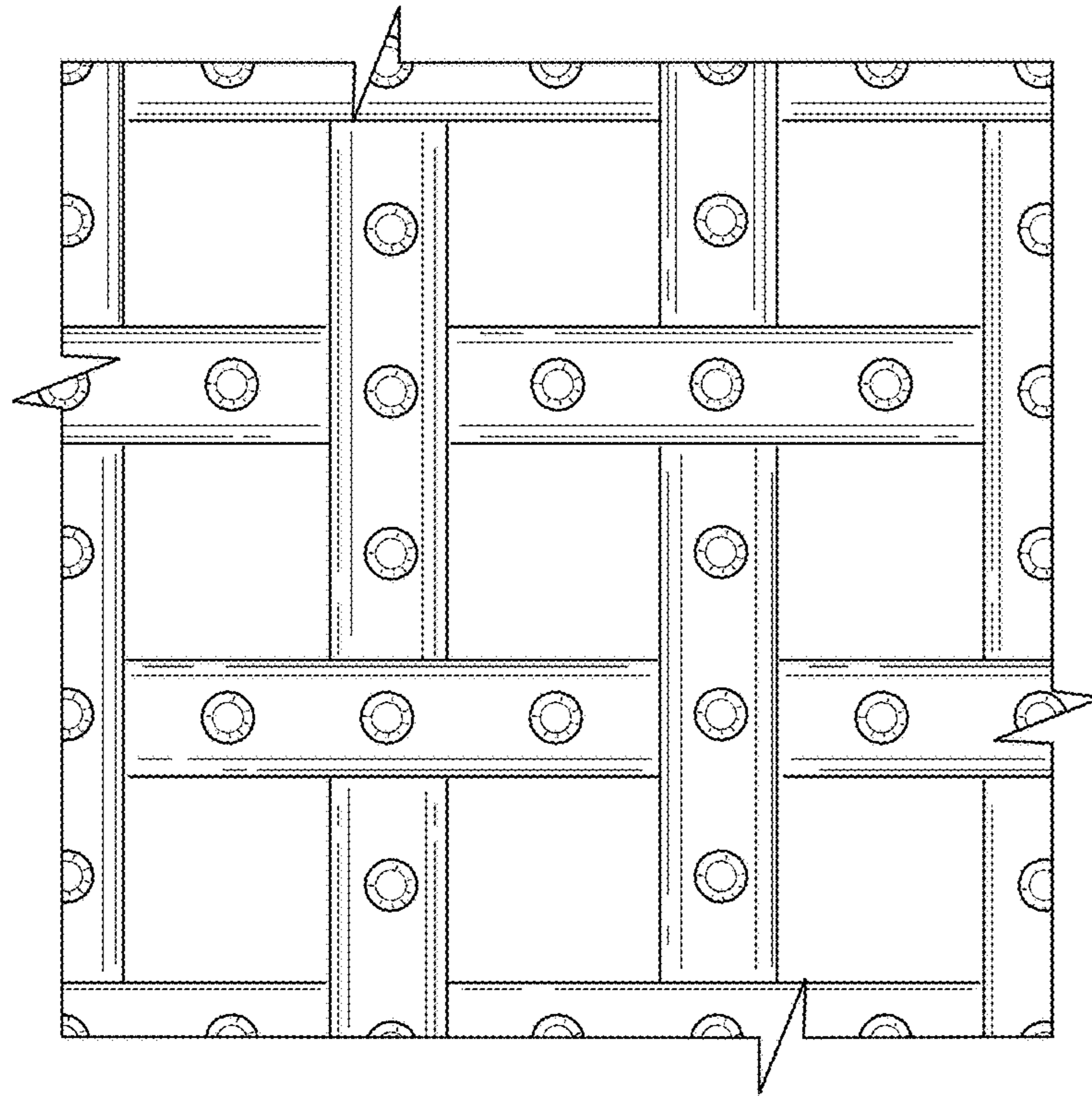


FIG. 9

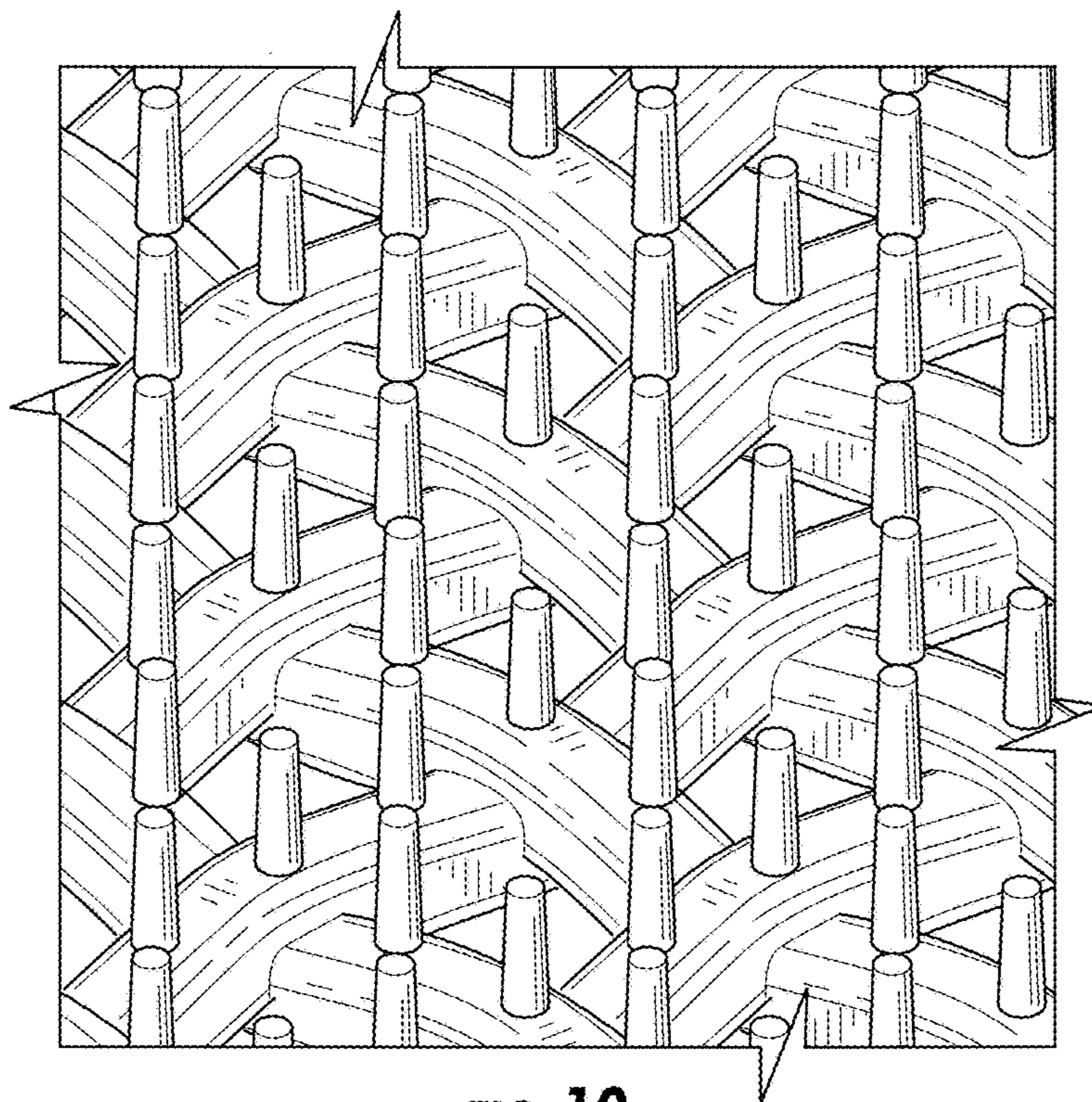


FIG. 10