



US00D824494S

(12) **United States Design Patent**
Martins et al.

(10) **Patent No.:** **US D824,494 S**
(45) **Date of Patent:** **** Jul. 31, 2018**

(54) **VALVE BOX INSERT**

(71) Applicant: **MMKC Innovations Inc.**, Mississauga (CA)

(72) Inventors: **Terence Martins**, Mississauga (CA);
Peter B. Knight-Chevalier, Scotland (CA); **Ryan Mitchell**, Burlington (CA);
Ross Mitchell, Burlington (CA)

(73) Assignee: **MMKC Innovations Inc.**, Waterdown (CA)

(**) Term: **15 Years**

(21) Appl. No.: **29/526,766**

(22) Filed: **May 13, 2015**

(51) **LOC (11) Cl.** **23-01**

(52) **U.S. Cl.**
USPC **D23/261**

(58) **Field of Classification Search**
USPC D23/233–237, 259, 262, 268, 203, 205,
D23/206, 209, 258, 260–261; D13/152;
D7/399–401; D27/167; D11/152
CPC A01G 25/165; E03B 9/10
See application file for complete search history.

(56) **References Cited**

U.S. PATENT DOCUMENTS

1,905,856 A *	4/1933	Haase	E03B 9/10 52/100
D567,341 S *	4/2008	Vargas	D23/267
D669,814 S *	10/2012	Plucinski	D11/152
D677,427 S *	3/2013	Ross	D27/167
D694,862 S *	12/2013	Patterson	D23/260
D700,839 S *	3/2014	O'Brien	D9/429
D707,489 S *	6/2014	Hertaus	D7/397
D715,649 S *	10/2014	O'Brien	D9/500
D723,672 S *	3/2015	Larkin	D23/268
D746,105 S *	12/2015	de Neufville	D7/399

D756,771 S *	5/2016	Covey	D7/400
D757,492 S *	5/2016	Ming	D7/400
2015/0216133 A1 *	8/2015	Franchini	A01G 25/165 700/284

OTHER PUBLICATIONS

Parson Valve Box Insert brochure by Parson Environmental, 1 page.
URL: <http://www.parsonenvironmental.com/PDF/ValveBoxInsert2015.pdf>.

* cited by examiner

Primary Examiner — Eric L Goodman

Assistant Examiner — Amy C Wierenga

(74) *Attorney, Agent, or Firm* — Santosh K. Chari; Blake, Cassels & Graydon LLP

(57) **CLAIM**

The ornamental design for a valve box insert, substantially as shown and described.

DESCRIPTION

FIG. 1 is a top front perspective view of a valve box insert according to one embodiment.

FIG. 2 is a top view of the valve box insert of FIG. 1 showing an embodiment with a filter.

FIG. 3 is a bottom rear perspective view of the valve box insert of FIG. 1 showing an embodiment with a filter.

FIG. 4 is a side elevational view of the valve box insert of FIG. 1.

FIG. 5 is a bottom view of the valve box insert of FIG. 1 showing an embodiment with a filter.

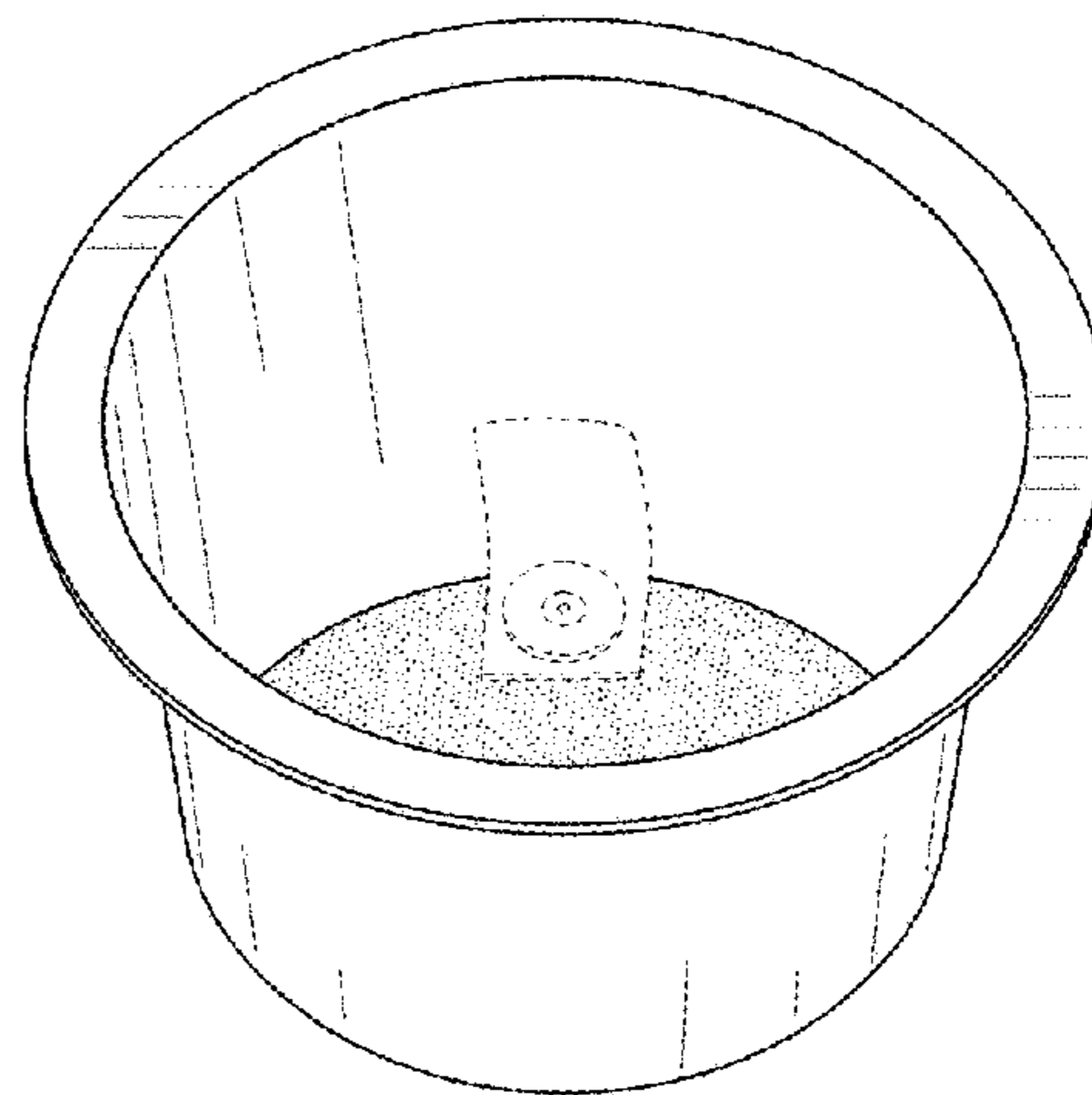
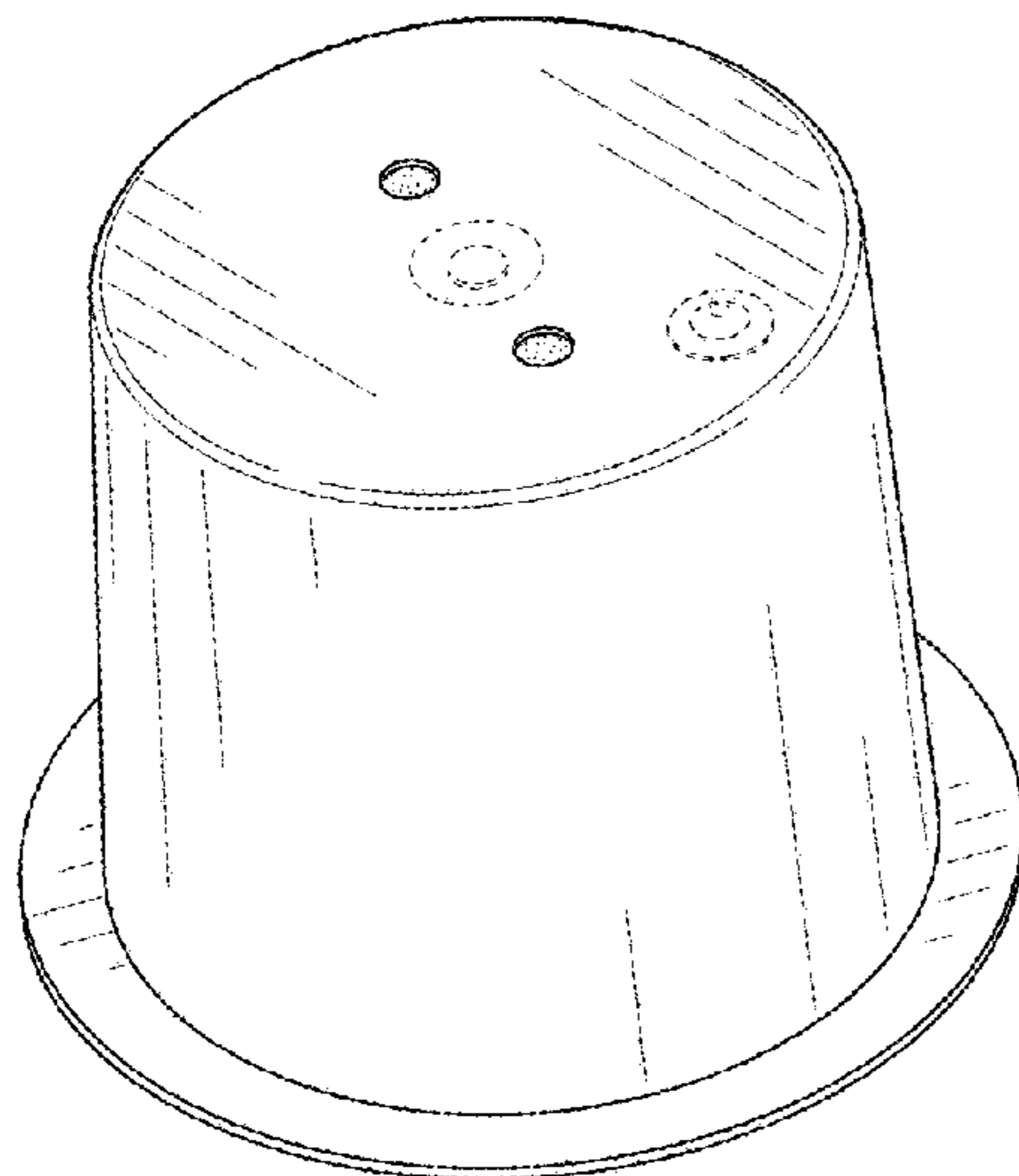
FIG. 6 is a top view of the valve box insert of FIG. 1 showing an embodiment without a filter for ease of illustration.

FIG. 7 is a side elevational view of the valve box insert according to another embodiment; and,

FIG. 8 is a top front perspective view of the valve box insert of FIG. 7 showing an embodiment with a filter.

The portions of the figures shown in broken lines represent features that do not form part of the claimed design.

1 Claim, 5 Drawing Sheets



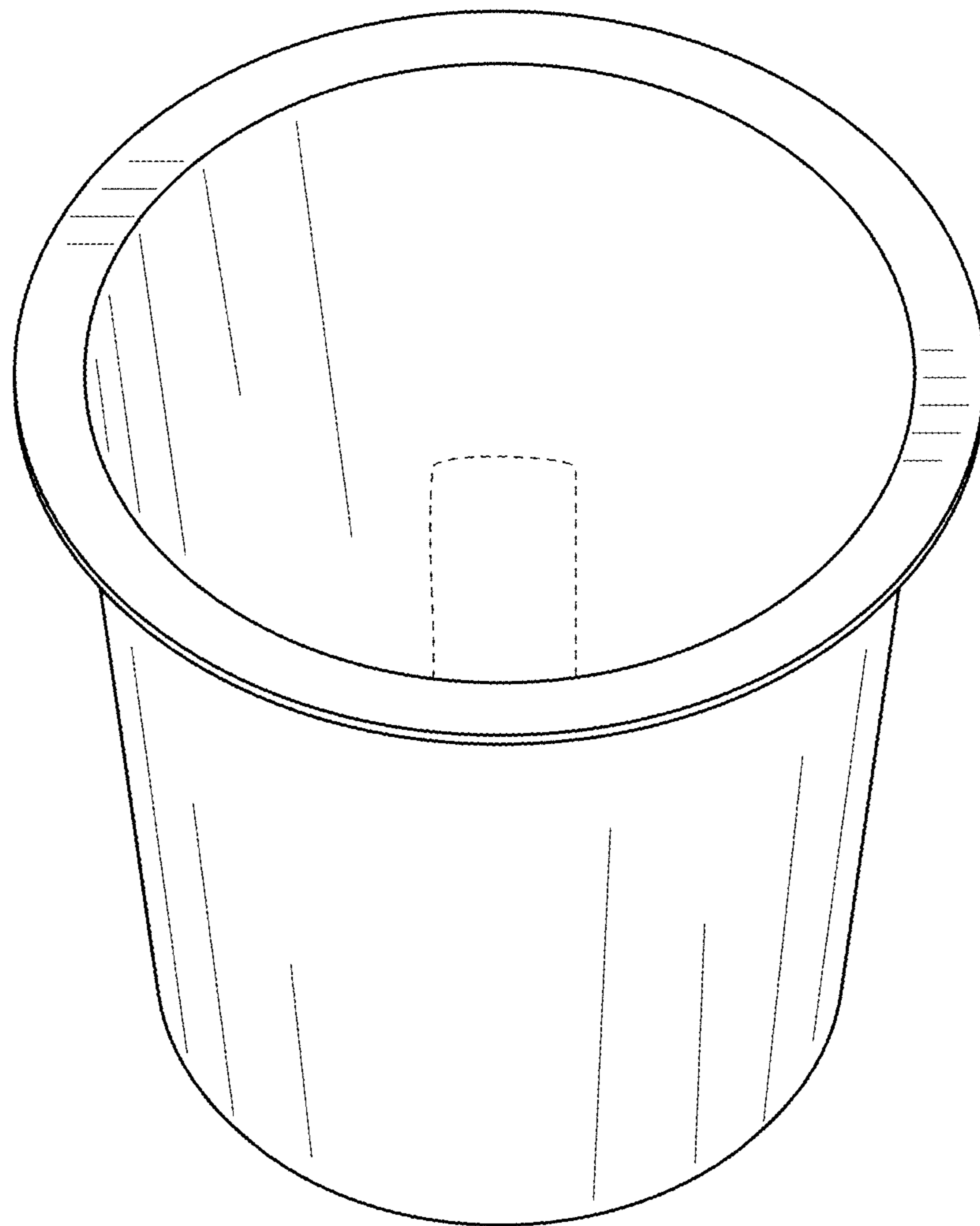


FIG. 1

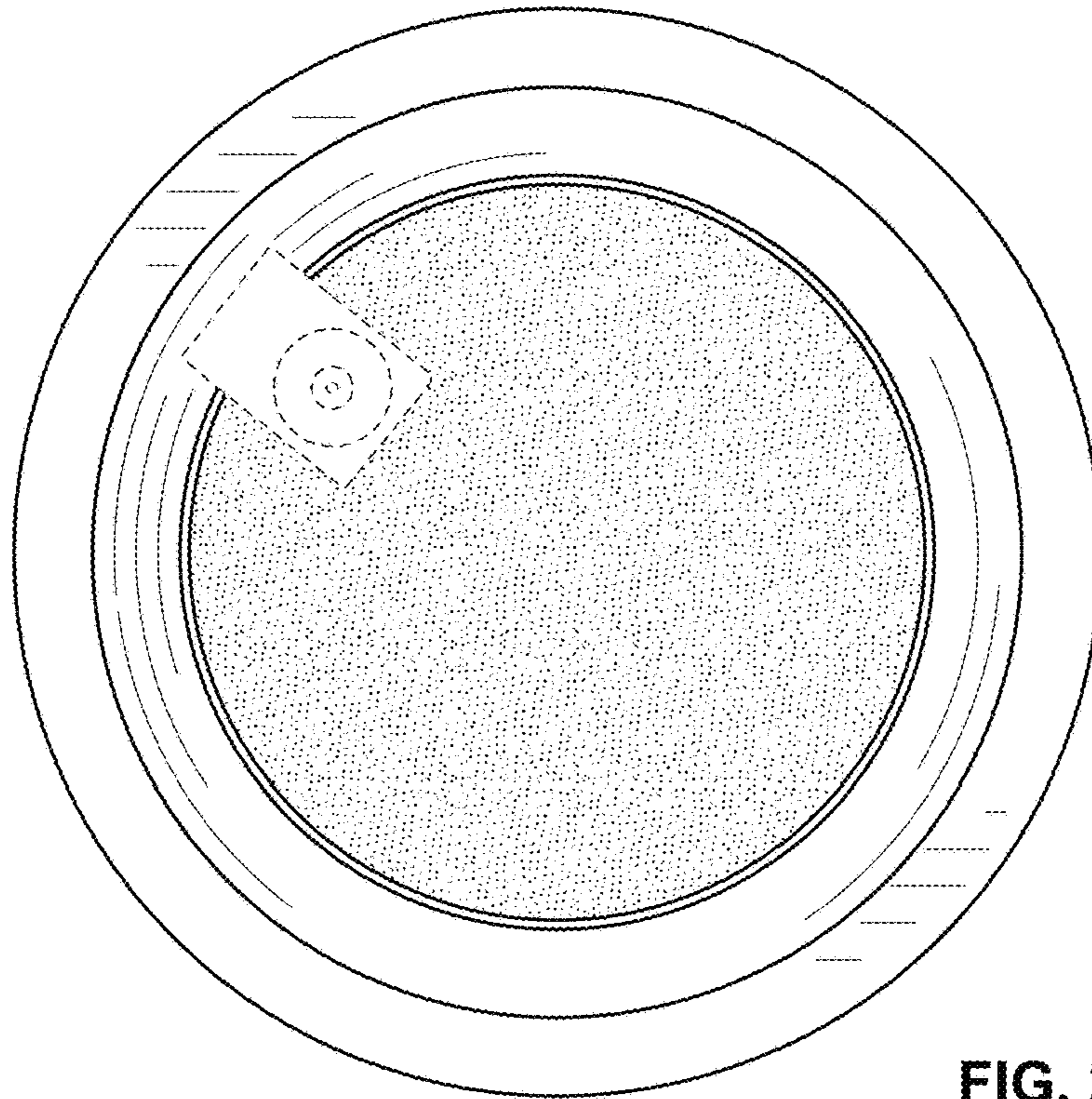


FIG. 2

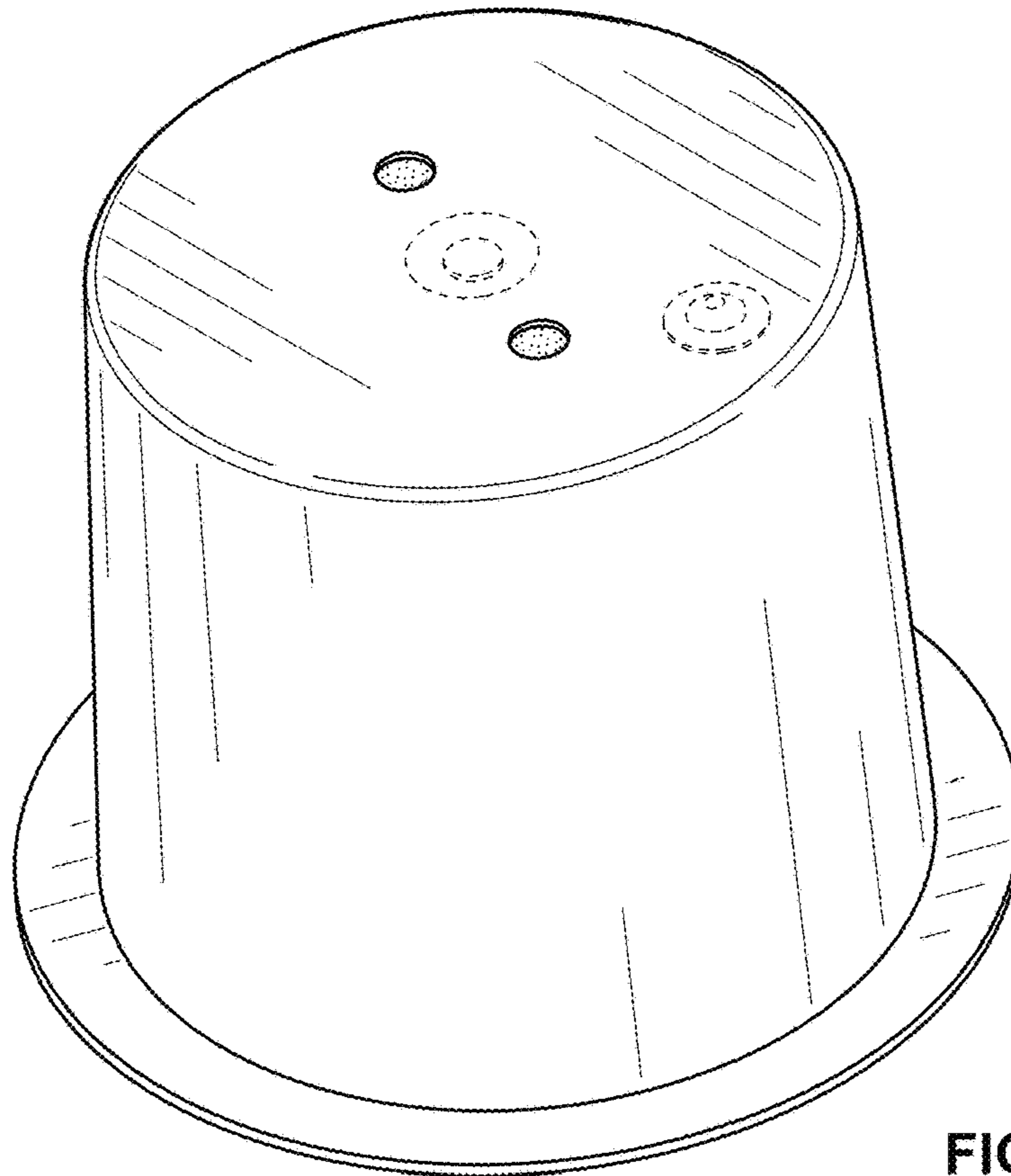


FIG. 3

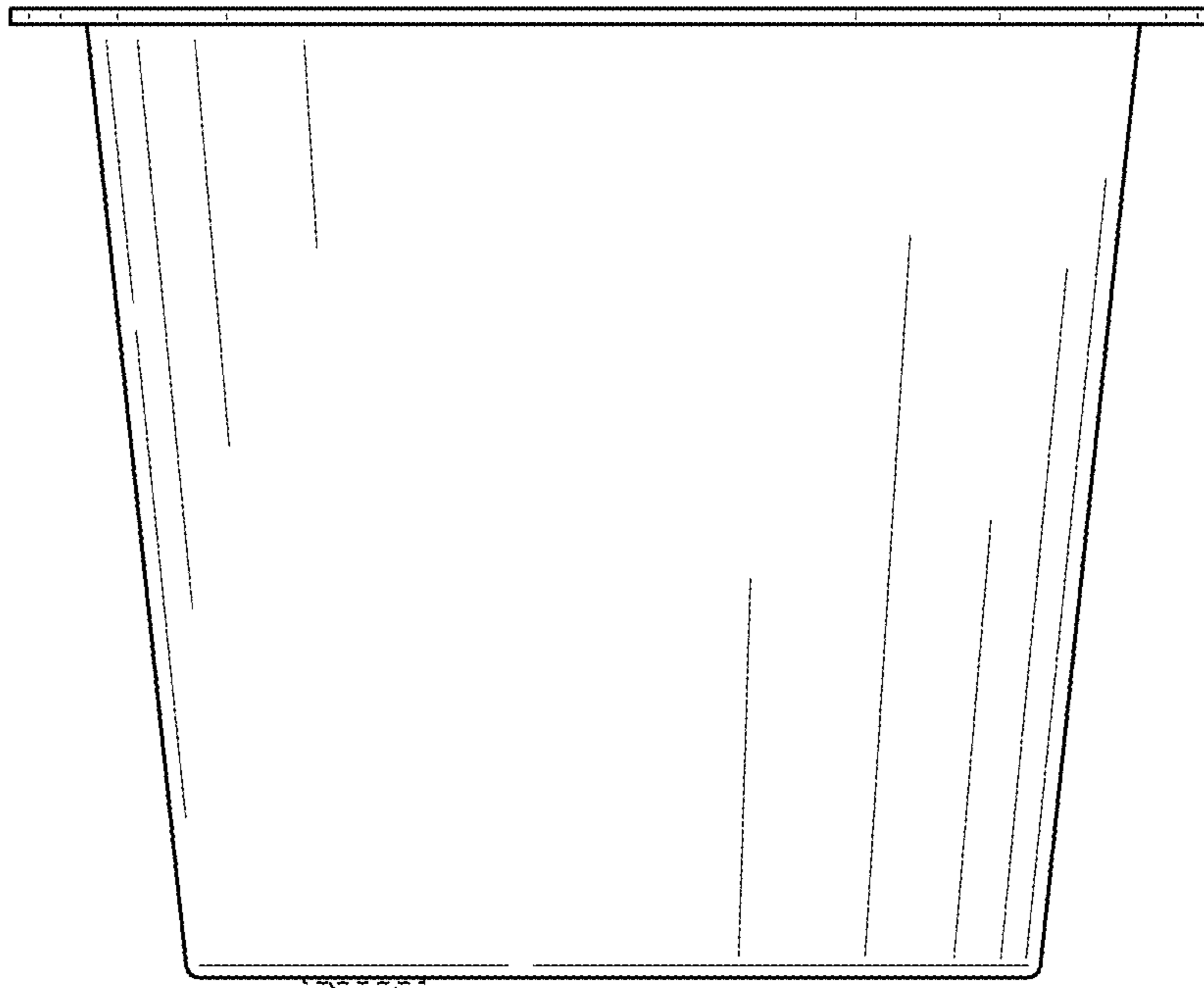


FIG. 4

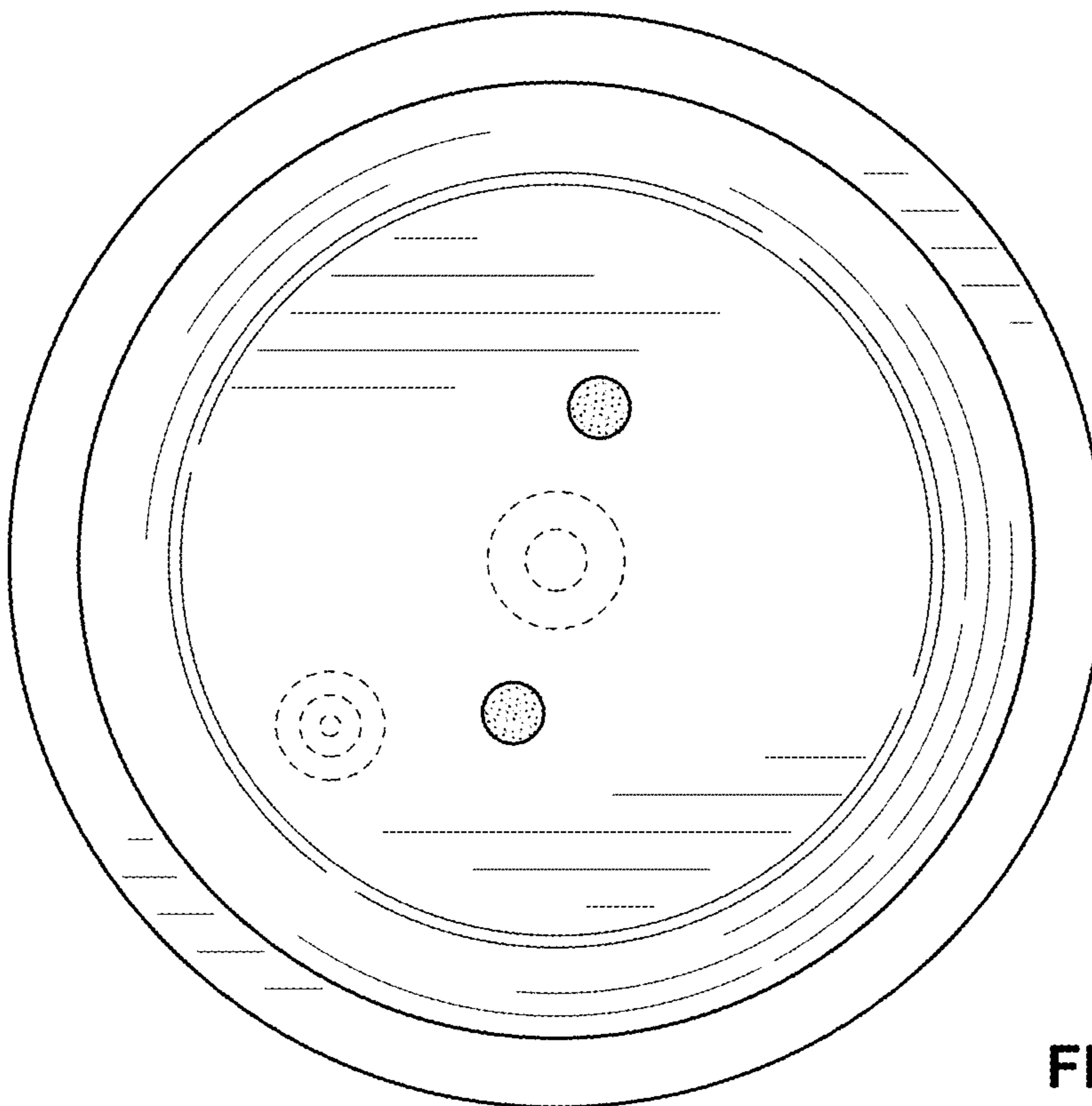


FIG. 5

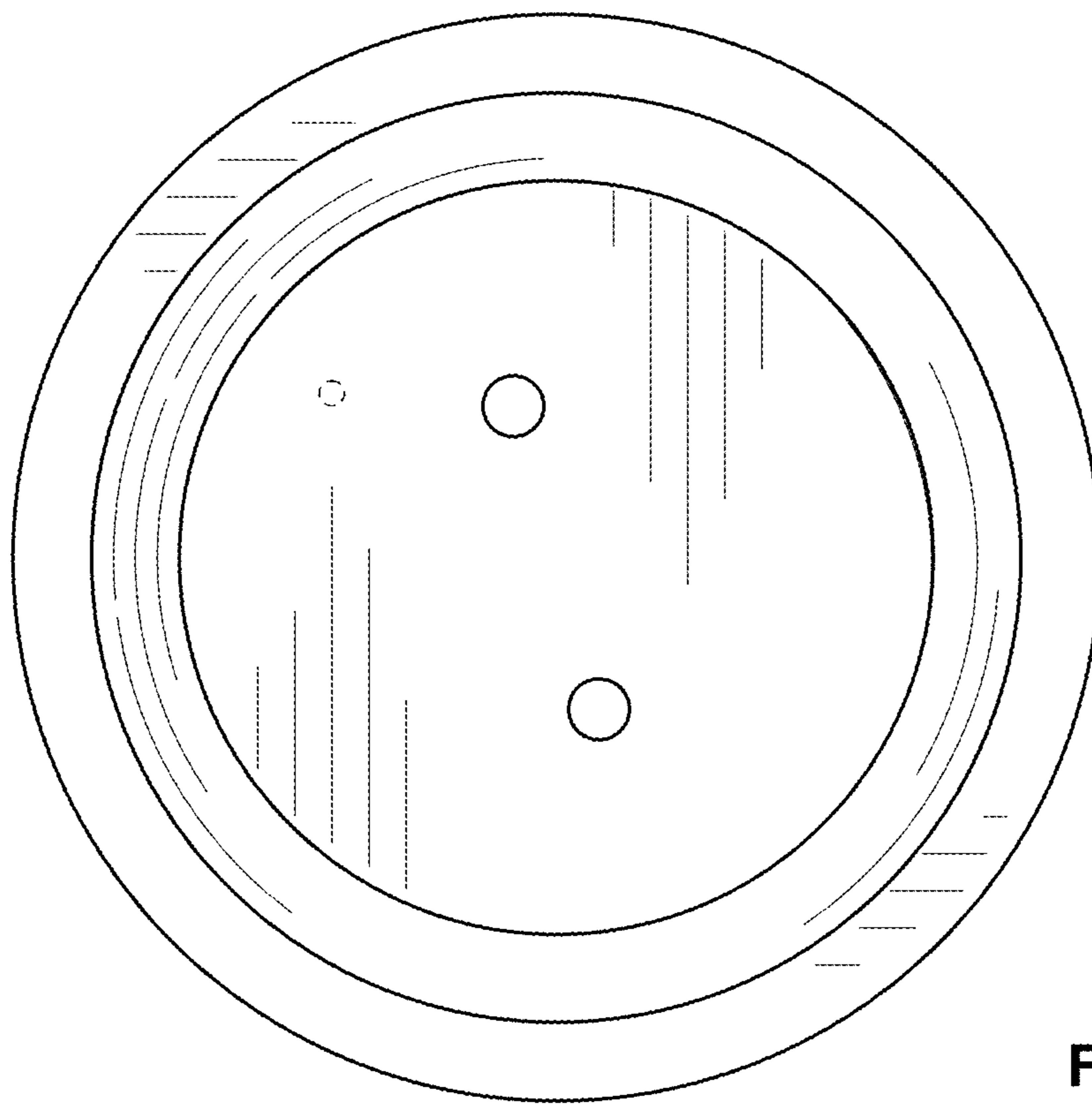


FIG. 6

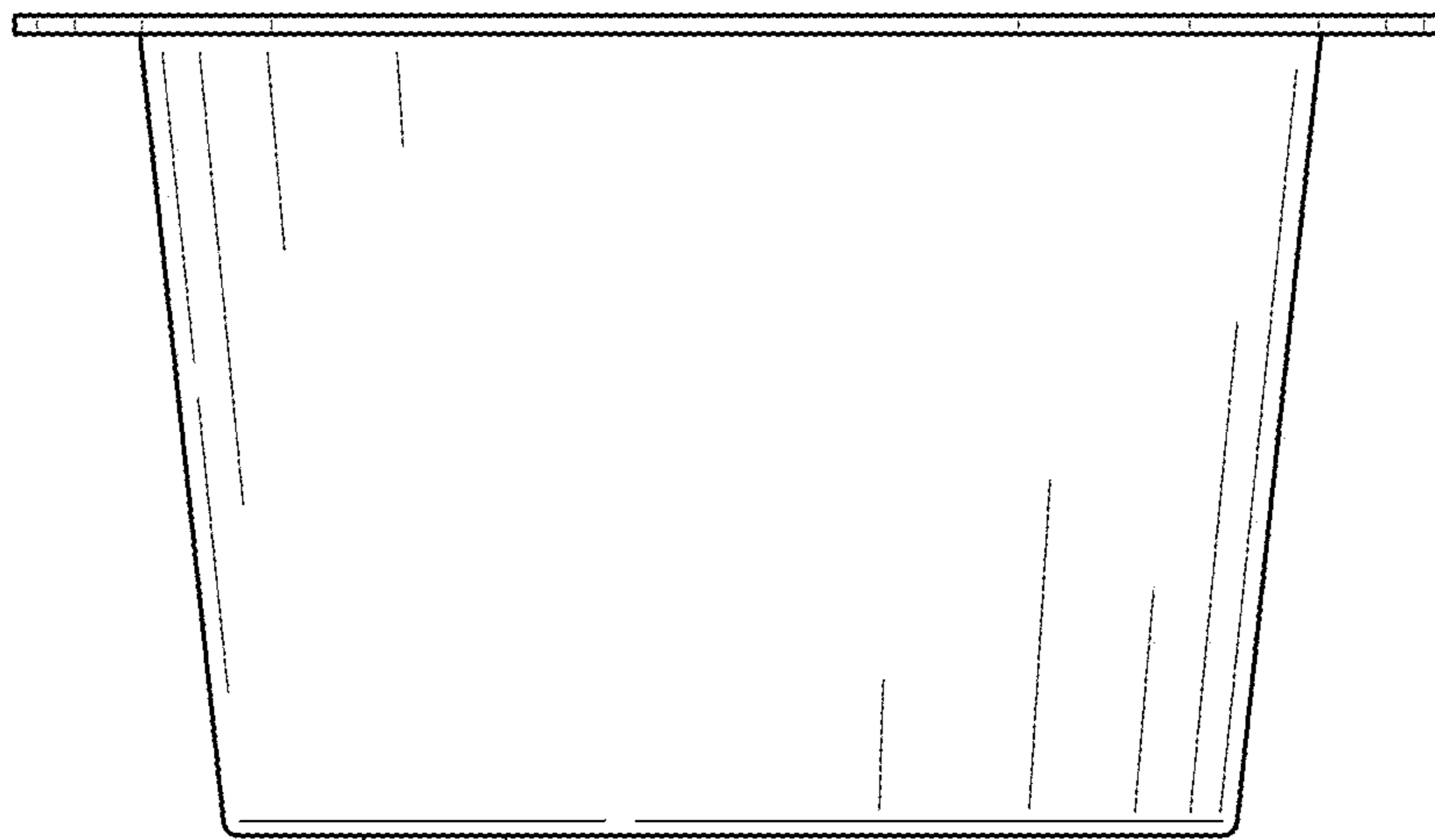


FIG. 7

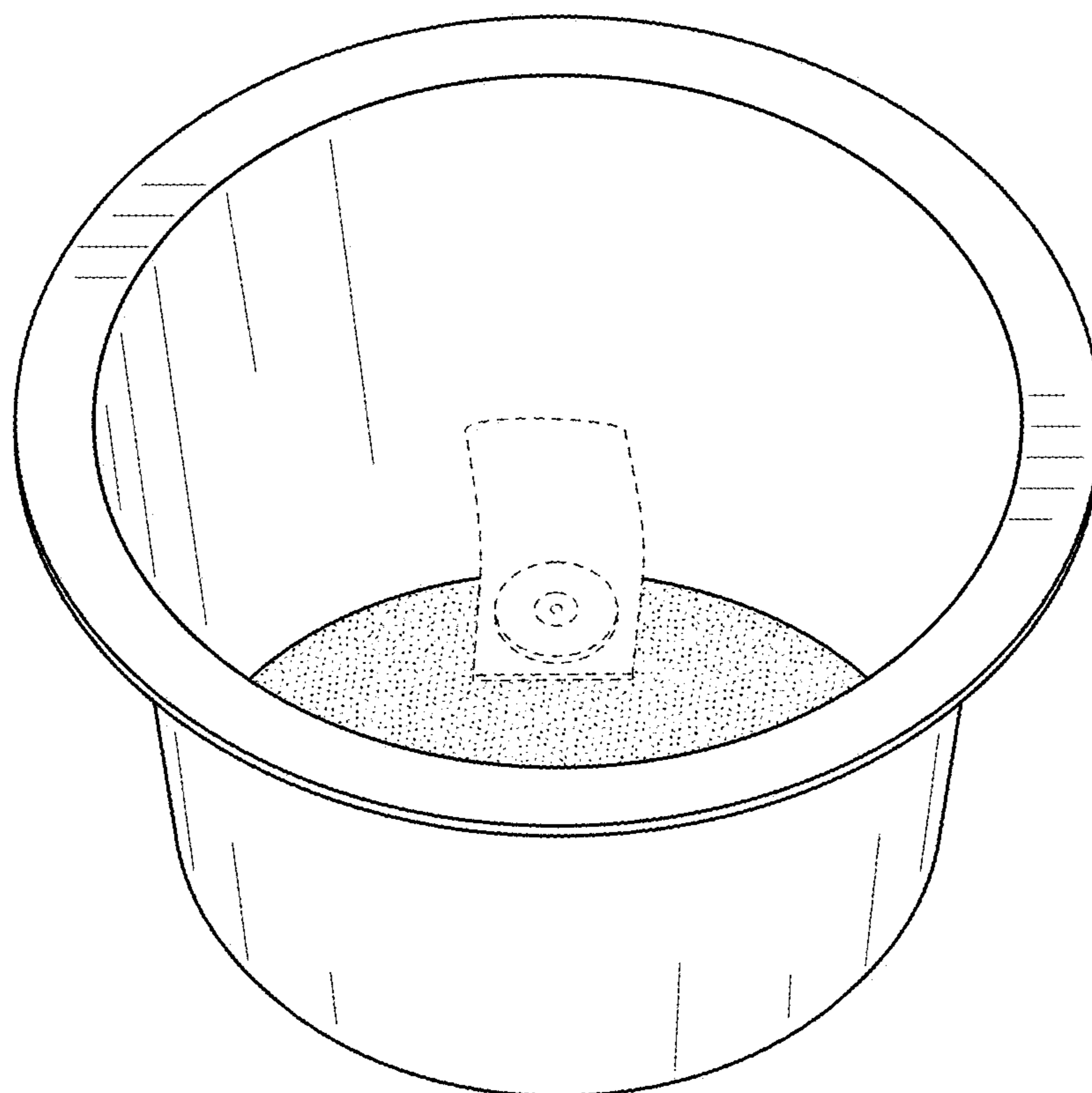


FIG. 8