



US00D824493S

(12) **United States Design Patent**  
**Rexach**

(10) **Patent No.:** **US D824,493 S**  
(45) **Date of Patent:** **\*\* Jul. 31, 2018**

(54) **FAUCET**

(71) Applicant: **Kohler Co.**, Kohler, WI (US)

(72) Inventor: **Rafael A. Rexach**, Sheboygan, WI (US)

(73) Assignee: **KOHLER CO.**, Kohler, WI (US)

(\*\*) Term: **15 Years**

(21) Appl. No.: **29/622,442**

(22) Filed: **Oct. 17, 2017**

**Related U.S. Application Data**

(62) Division of application No. 29/603,283, filed on May 8, 2017, now Pat. No. Des. 803,360, which is a division of application No. 29/571,418, filed on Jul. 18, 2016, now Pat. No. Des. 791,922, which is a division of application No. 29/543,039, filed on Oct. 20, 2015, now Pat. No. Des. 765,225, which is a division of application No. 29/509,189, filed on Nov. 14, 2014, now Pat. No. Des. 750,205.

(51) **LOC (11) Cl.** ..... **23-01**

(52) **U.S. Cl.**  
USPC ..... **D23/242**

(58) **Field of Classification Search**  
USPC ..... D23/238, 241–243, 249–250, 252, D23/254–255, 257; D8/107–108  
CPC ..... Y10T 137/9464  
See application file for complete search history.

(56) **References Cited**

**U.S. PATENT DOCUMENTS**

1,838,290 A	12/1931	Steckel
D318,906 S	8/1991	Spangler
D426,618 S	6/2000	Mark
D432,635 S	10/2000	Spangler
D478,153 S	8/2003	Friedrich
D487,916 S	3/2004	Lord

D501,671 S	2/2005	Bayer
D516,177 S	2/2006	Ouyoung
D516,681 S	3/2006	Gilbert
D528,633 S	9/2006	Bayer
D530,785 S	10/2006	Rexach et al.
D534,621 S	1/2007	Chu
D534,623 S	1/2007	Fritz
D562,947 S	2/2008	Zhang
D579,080 S	10/2008	Zhang
D582,011 S	12/2008	Yuan

(Continued)

**OTHER PUBLICATIONS**

No additional references cited (Year: 2018).\*

*Primary Examiner* — Robert A Delehanty

(74) *Attorney, Agent, or Firm* — Foley & Lardner LLP

(57) **CLAIM**

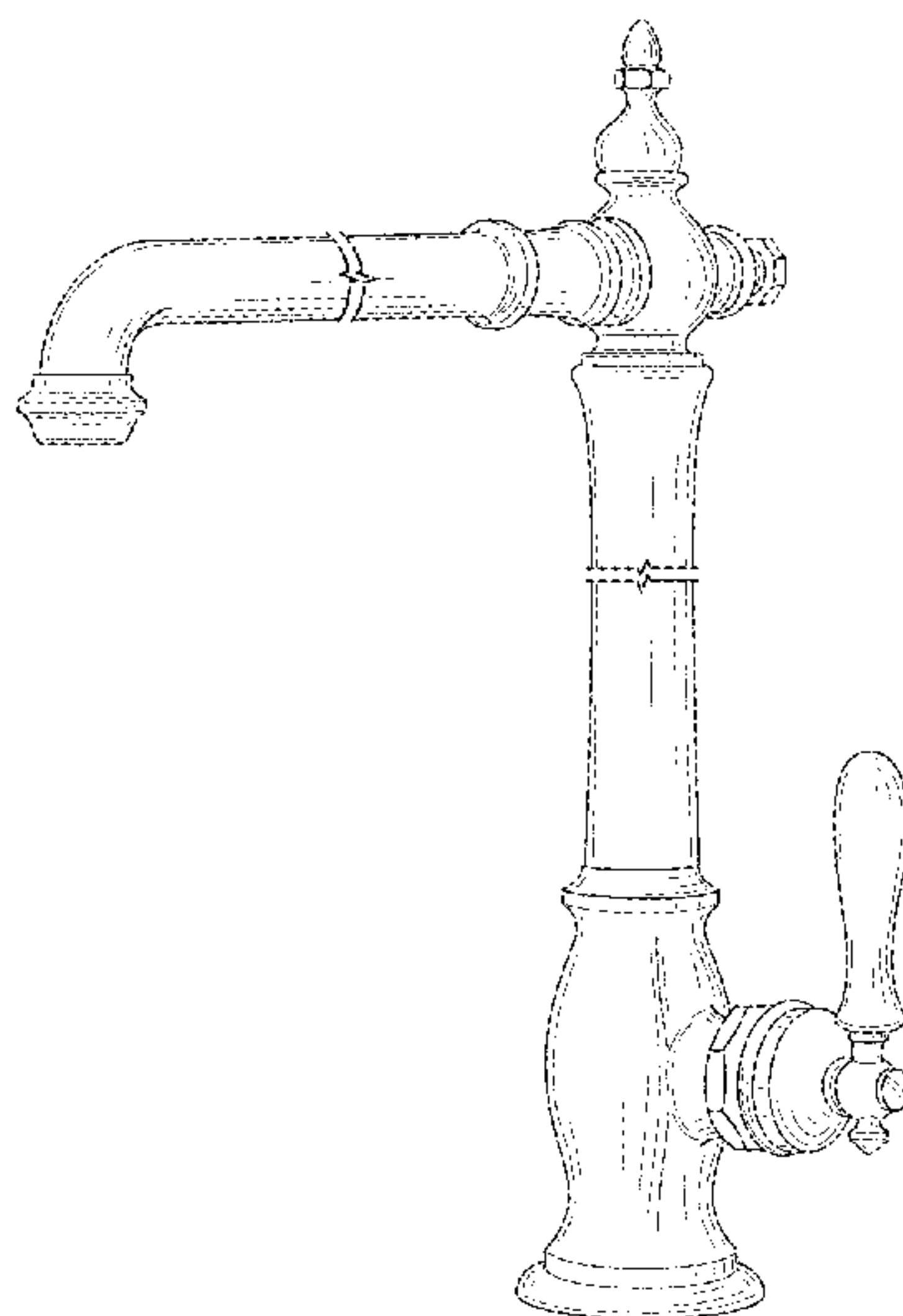
I claim the ornamental design for a faucet, as shown and described.

**DESCRIPTION**

FIG. 1 is a top, front, left perspective view of an embodiment of the claimed design;  
FIG. 2 is a front elevation view thereof;  
FIG. 3 is a rear elevation view thereof;  
FIG. 4 is a right side elevation view thereof;  
FIG. 5 is a left side elevation view thereof;  
FIG. 6 is a top plan view thereof; and,  
FIG. 7 is a bottom plan view thereof.

The ornamental design which is claimed is shown line solid lines in the drawings. The broken lines in the drawings form no part of the claimed design. Broken lines formed by equal length dashes show unclaimed subject matter. Broken away symbols having a jagged element show unspecified length of the portion is possible. The appearance of any portion of the article between the broken away symbols forms no part of the claimed design.

**1 Claim, 7 Drawing Sheets**



(56)

**References Cited**

U.S. PATENT DOCUMENTS

D591,402 S	4/2009	Eckhaus
7,533,683 B2	5/2009	Ortega
D636,850 S	4/2011	Shieh
D641,454 S	7/2011	McKeone
D645,944 S	9/2011	Gilbert
D713,508 S	9/2014	Downey
D713,510 S	9/2014	Downey
D717,928 S	11/2014	Rexach
D718,420 S	11/2014	Rexach
D718,425 S	11/2014	Rexach

\* cited by examiner

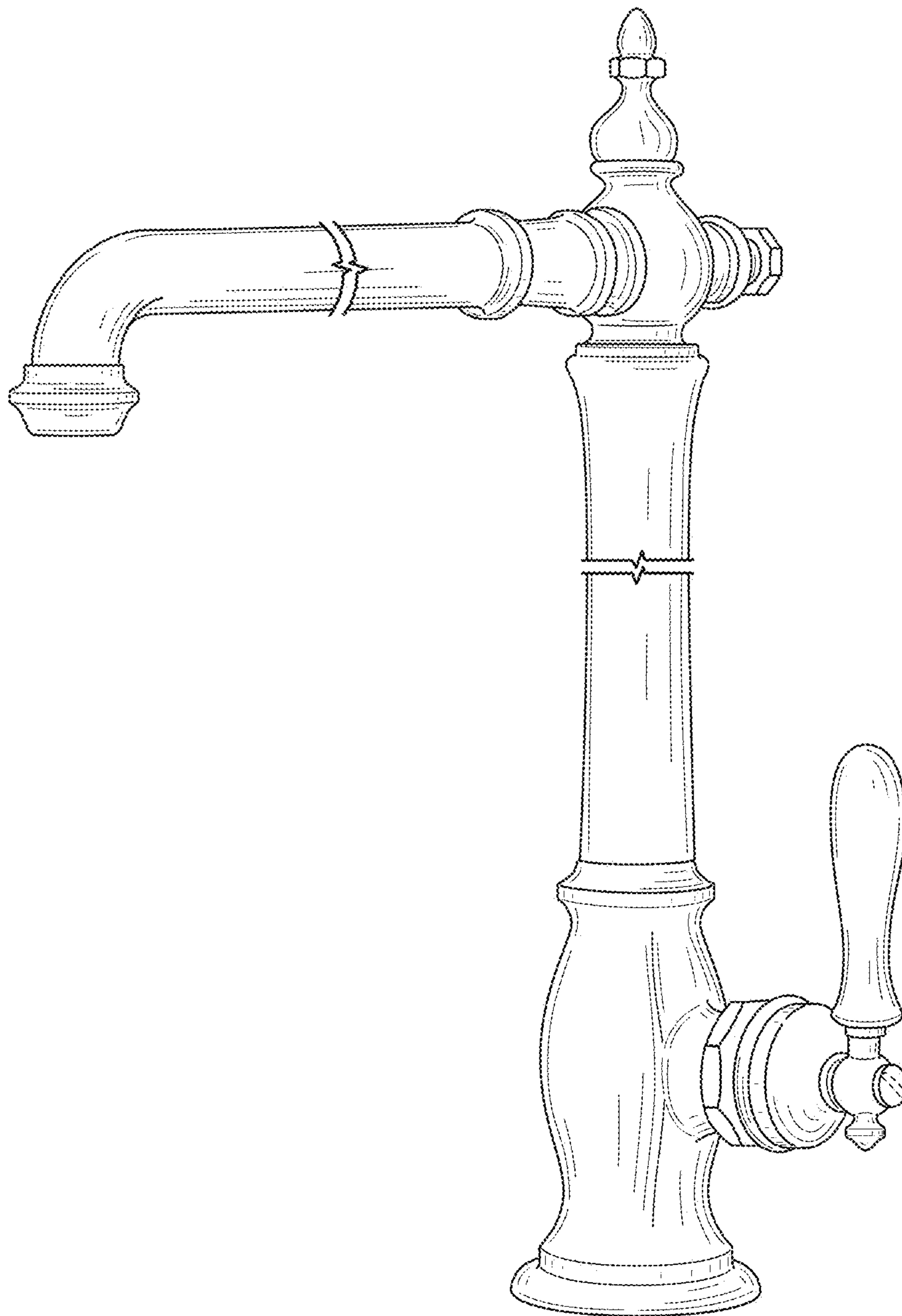


FIG. 1

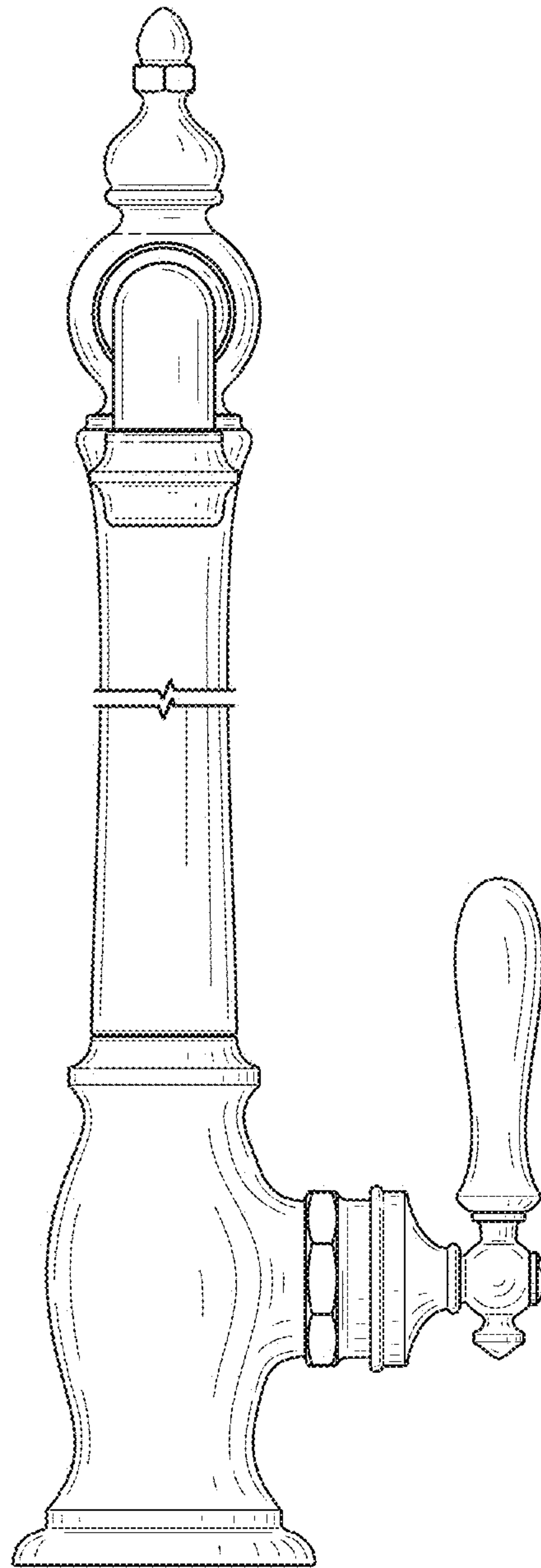


FIG. 2

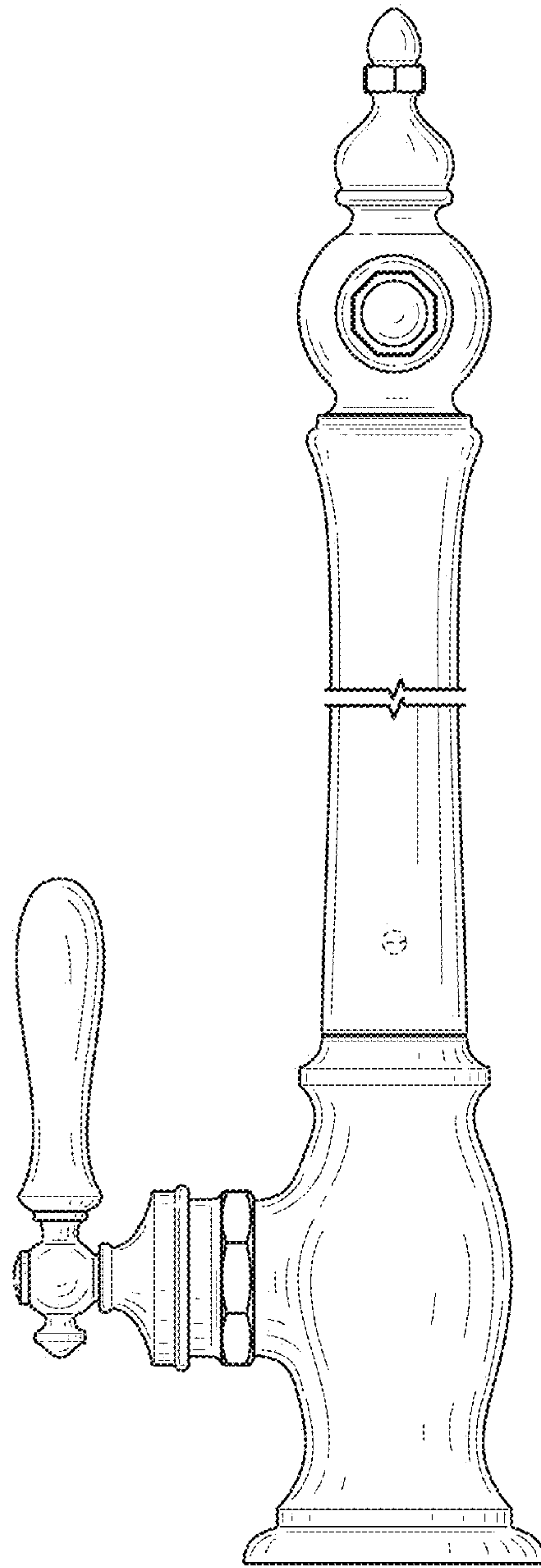


FIG. 3

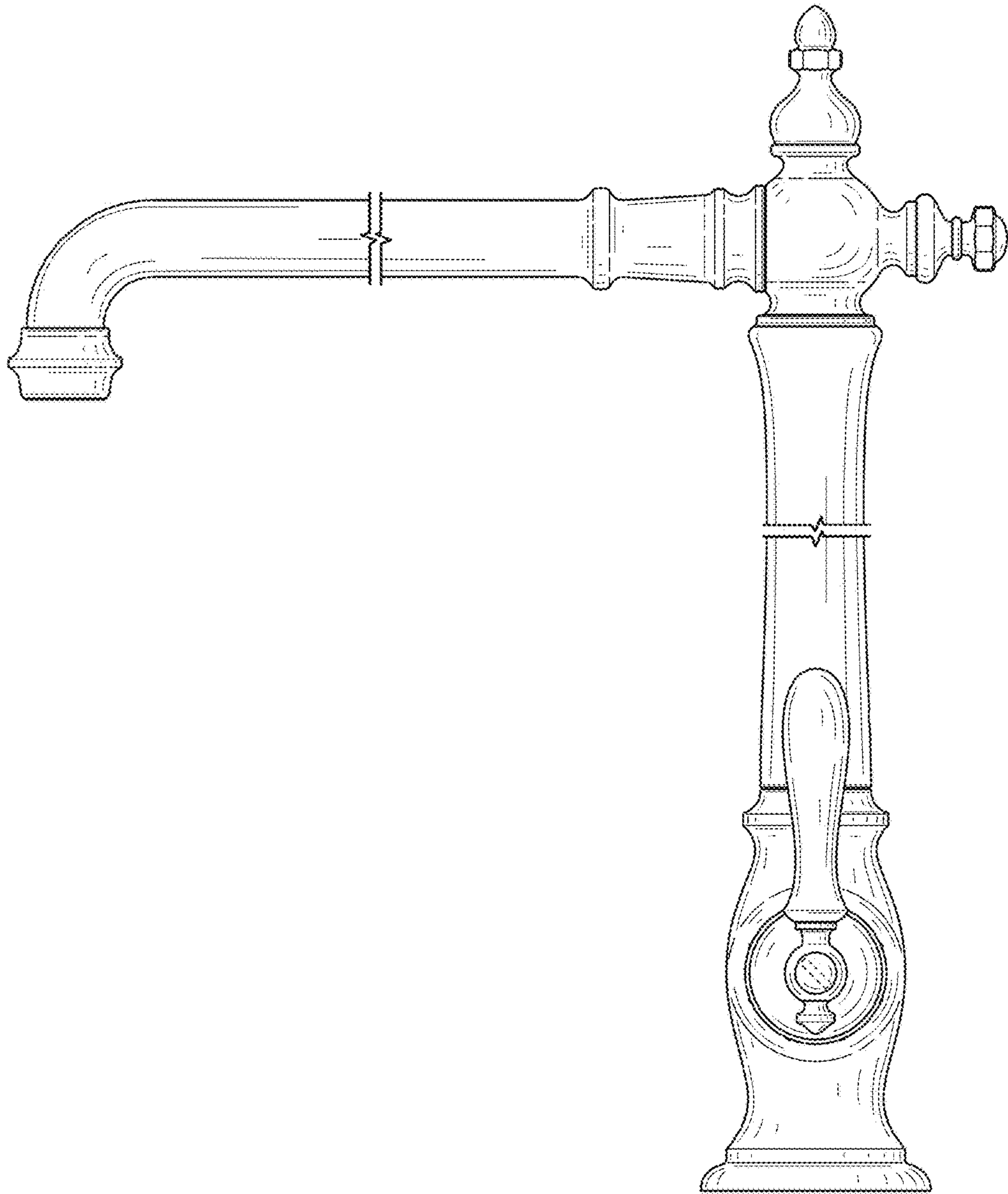


FIG. 4



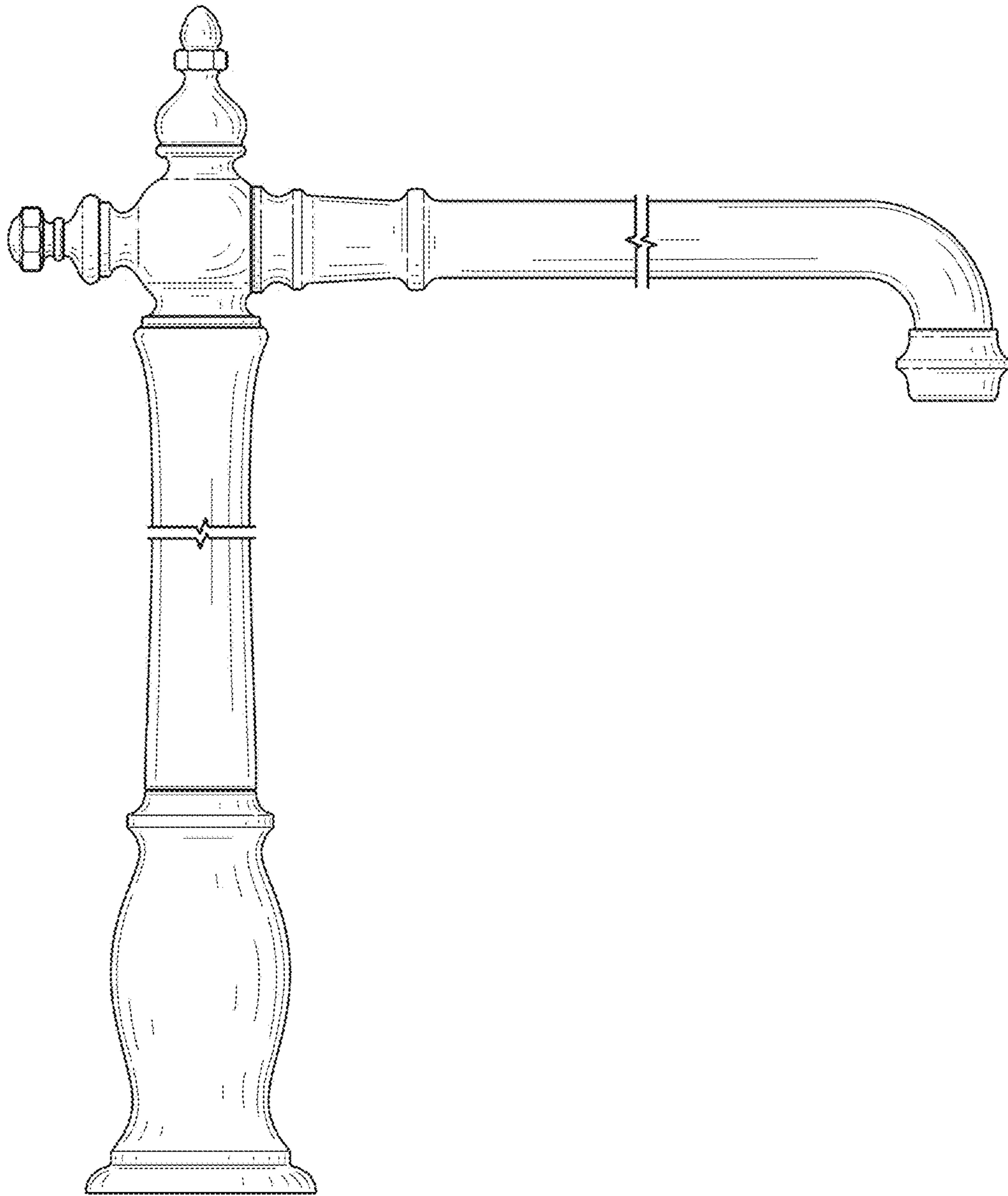


FIG. 5

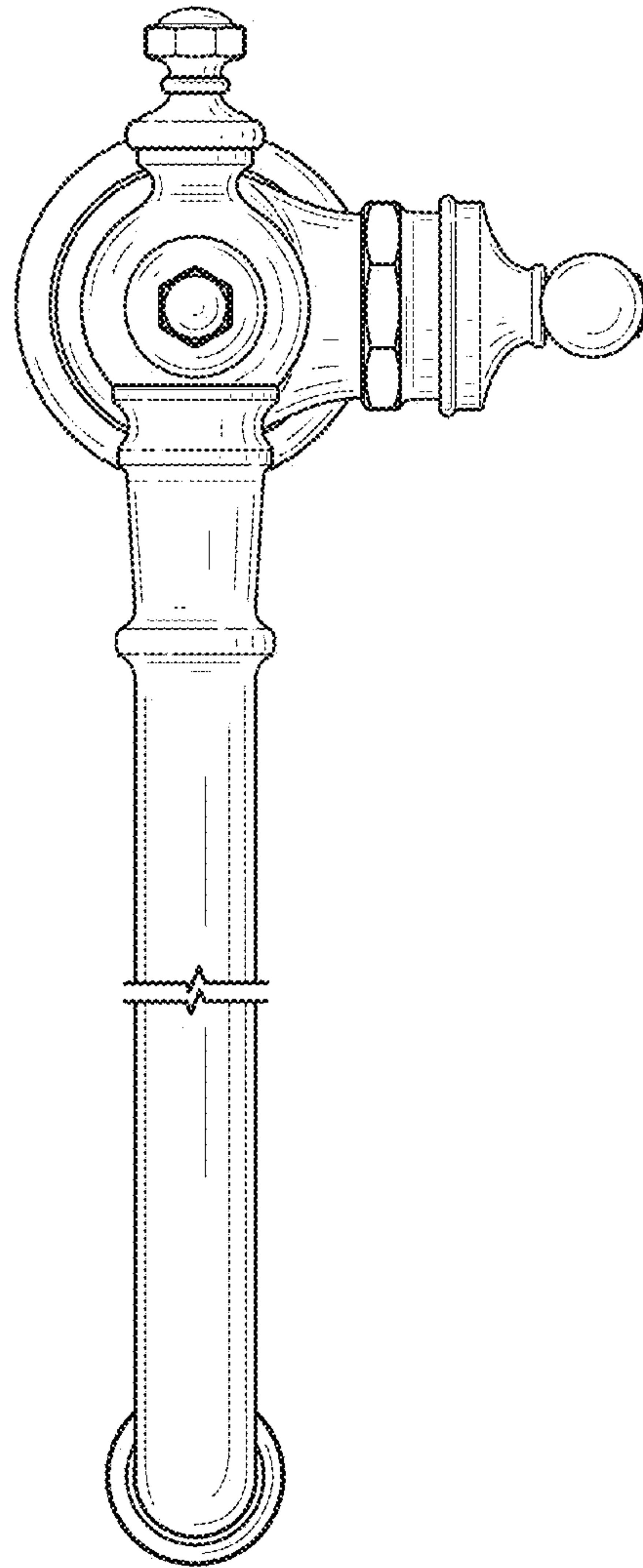
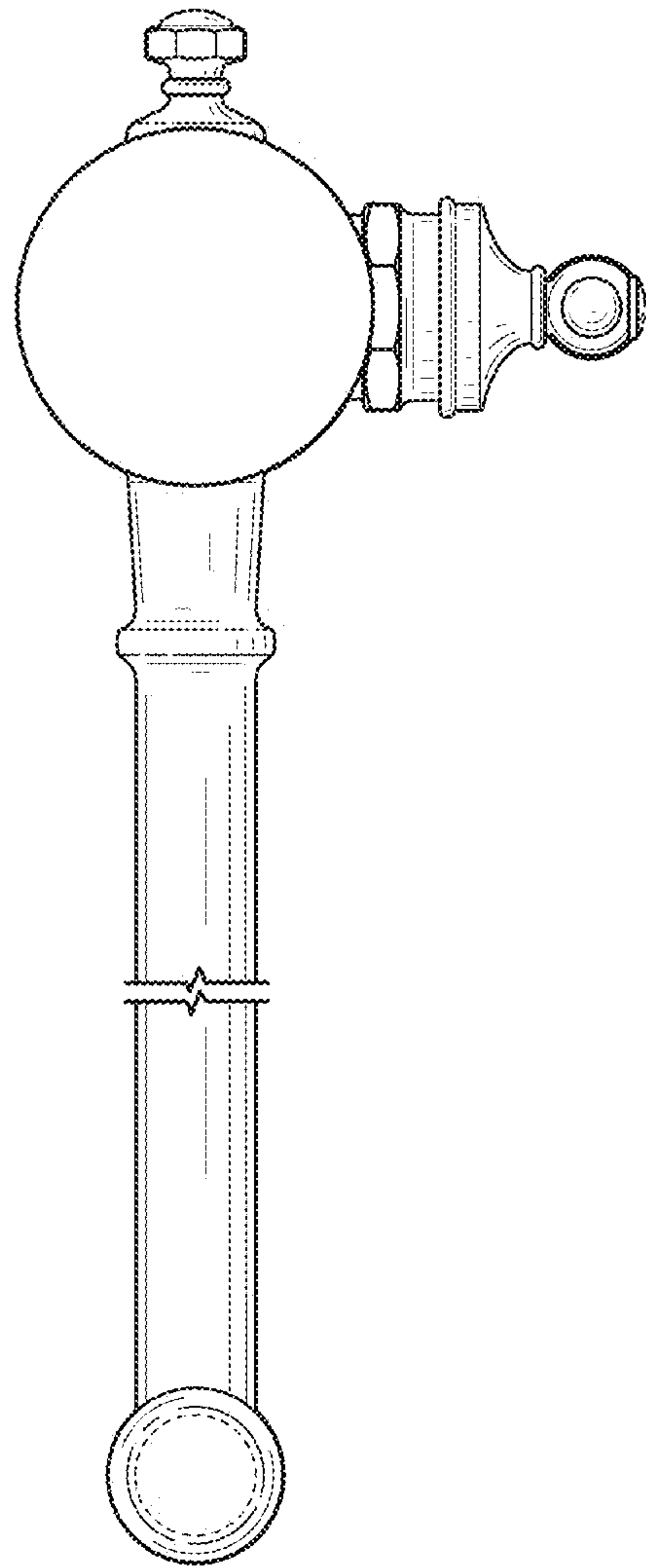


FIG. 6





**FIG. 7**