



US00D824492S

(12) **United States Design Patent**
Chen

(10) **Patent No.:** **US D824,492 S**
(45) **Date of Patent:** **** Jul. 31, 2018**

- (54) **SPRAY HEAD**
- (71) Applicant: **SHIN TAI SPURT WATER OF THE GARDEN TOOLS CO., LTD.,**
Lu-Kang Town, Chang-Hua Hsien (TW)
- (72) Inventor: **Chin-Yuan Chen,** Chang-Hua Hsien (TW)
- (73) Assignee: **SHIN TAI SPURT WATER OF THE GARDEN TOOLS CO., LTD.,**
Chang-Hua, Hsien (TW)

D615,158 S *	5/2010	Chen	D23/226
D726,872 S *	4/2015	Thurgood	D23/223
D749,696 S *	2/2016	Thurgood	D23/223
D767,091 S *	9/2016	Chen	B05B 1/326
				D23/223
D767,094 S *	9/2016	Chen	B05B 1/12
				D23/223
D779,036 S *	2/2017	Chen	D23/223
D783,122 S *	4/2017	Chen	D23/226
D783,123 S *	4/2017	Chen	D23/226
9,707,573 B1 *	7/2017	Huang	B05B 1/12
9,770,731 B1 *	9/2017	Chen	B05B 1/326

* cited by examiner

(**) Term: **15 Years**

Primary Examiner — Robin V Webster

(21) Appl. No.: **29/605,262**

(22) Filed: **May 24, 2017**

(51) **LOC (11) Cl.** **23-01**

(52) **U.S. Cl.**
USPC **D23/223**

(58) **Field of Classification Search**
USPC D23/213, 223, 226; D8/2; 239/532
CPC B05B 15/061; B05B 1/00; B05B 5/00;
B05B 1/005; B05B 3/00; B05B 9/01;
B05B 7/1209
See application file for complete search history.

(56) **References Cited**

U.S. PATENT DOCUMENTS

D489,792 S *	5/2004	Chen	D23/223
D615,157 S *	5/2010	Chen	D23/226

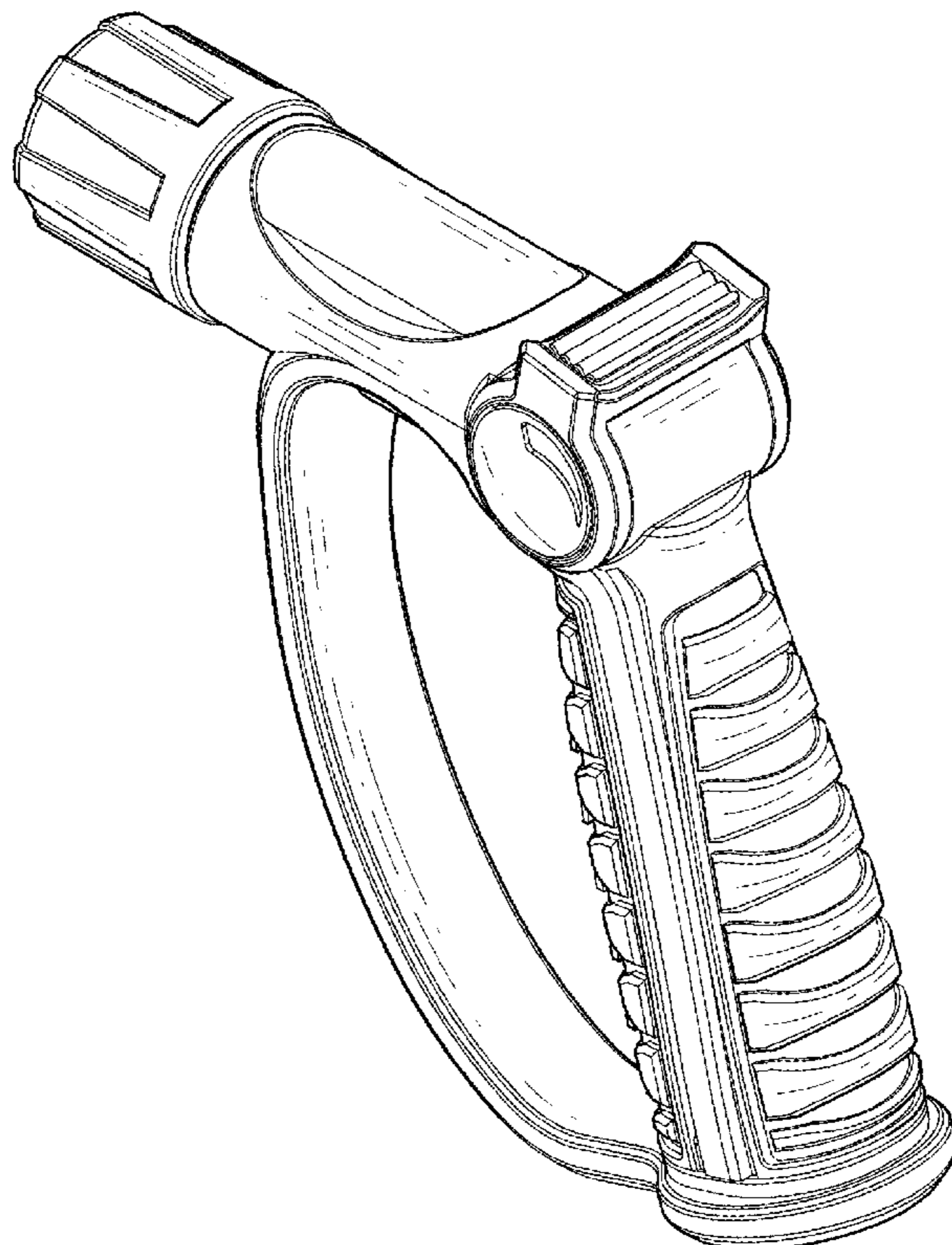
(57) **CLAIM**

The ornamental design for a spray head, as shown and described.

DESCRIPTION

FIG. 1 is a perspective view of a spray head showing my new design;
FIG. 2 is a front elevational view thereof;
FIG. 3 is a rear elevational view thereof;
FIG. 4 is a left side elevational view thereof;
FIG. 5 is a right side elevational view thereof;
FIG. 6 is a top plan view thereof; and,
FIG. 7 is a bottom plan view thereof.

1 Claim, 4 Drawing Sheets



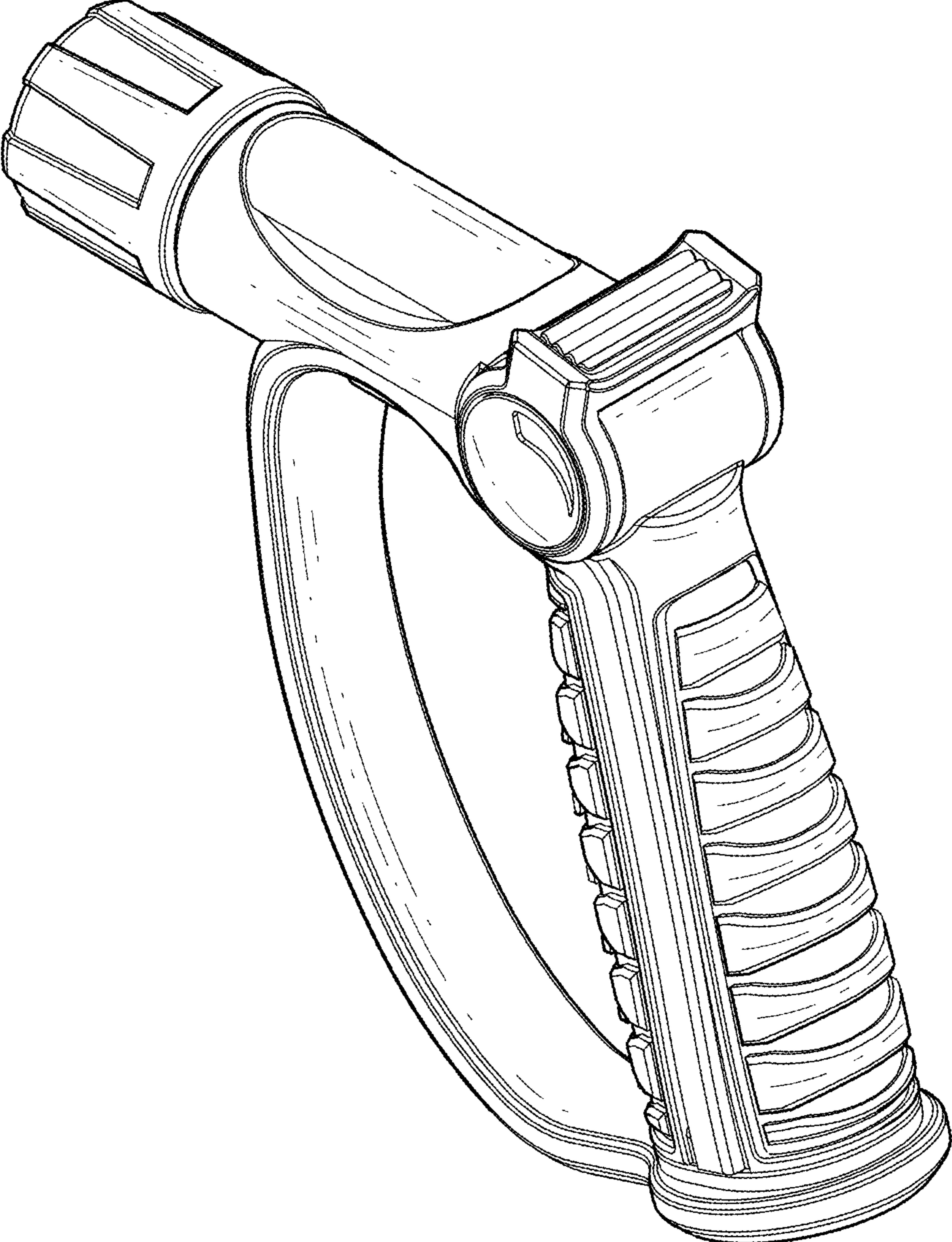


FIG. 1

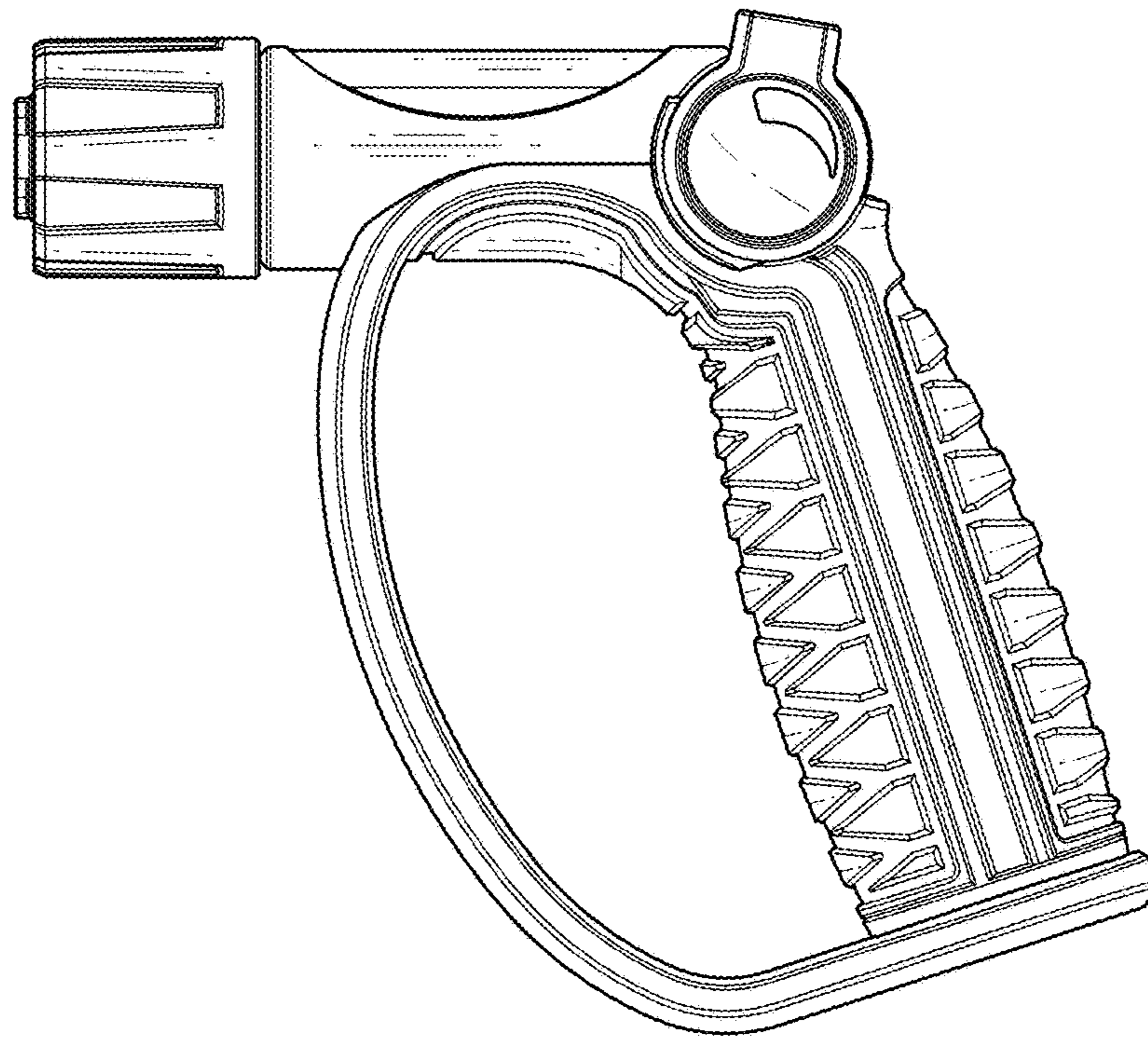


FIG. 2

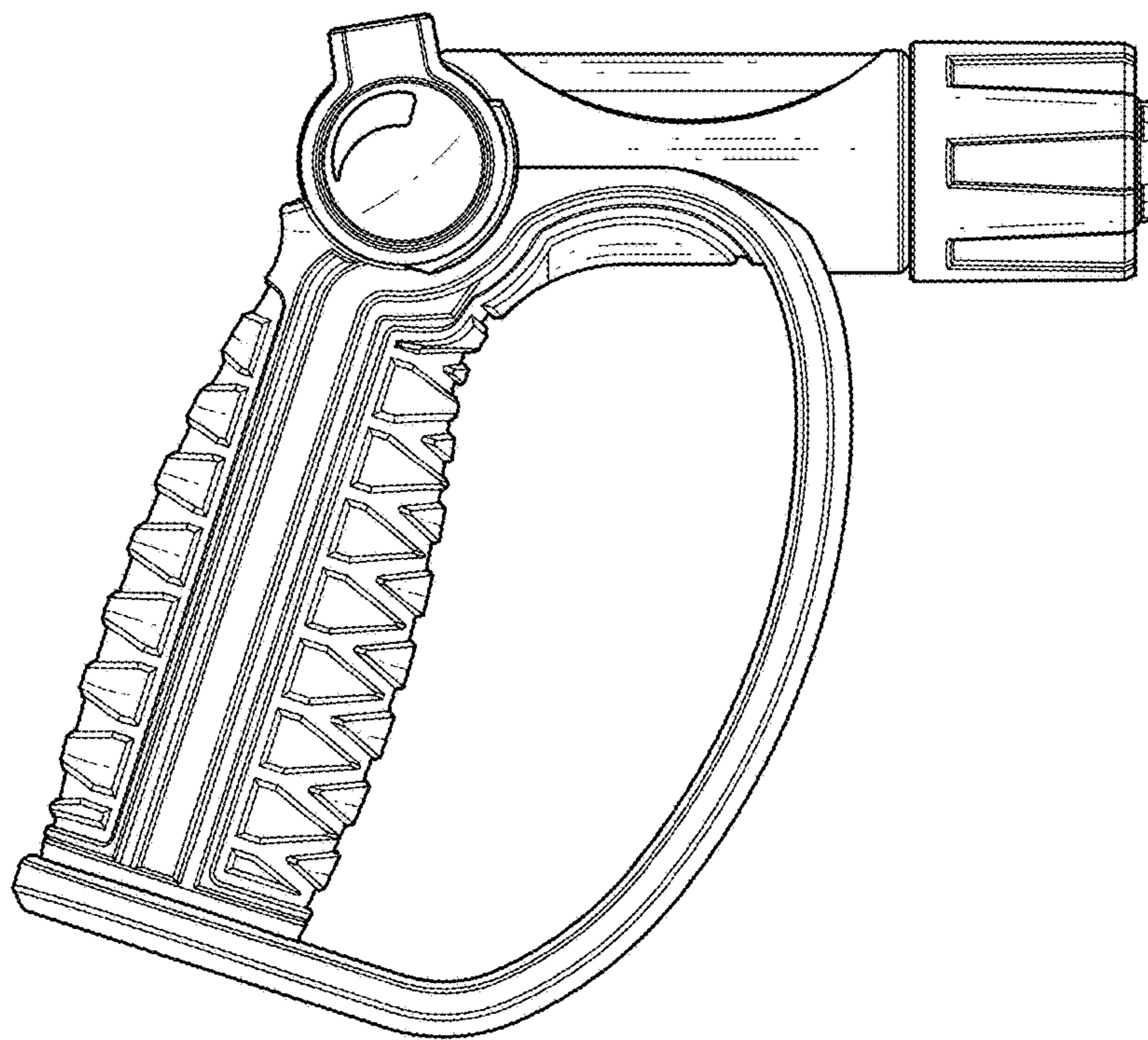


FIG. 3

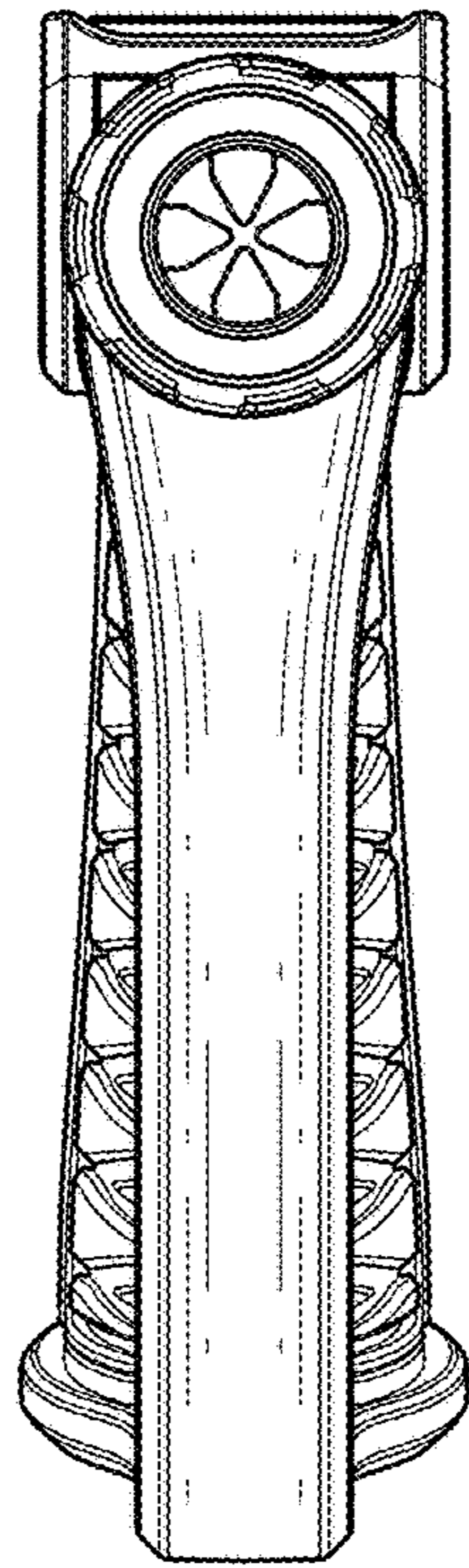


FIG. 4

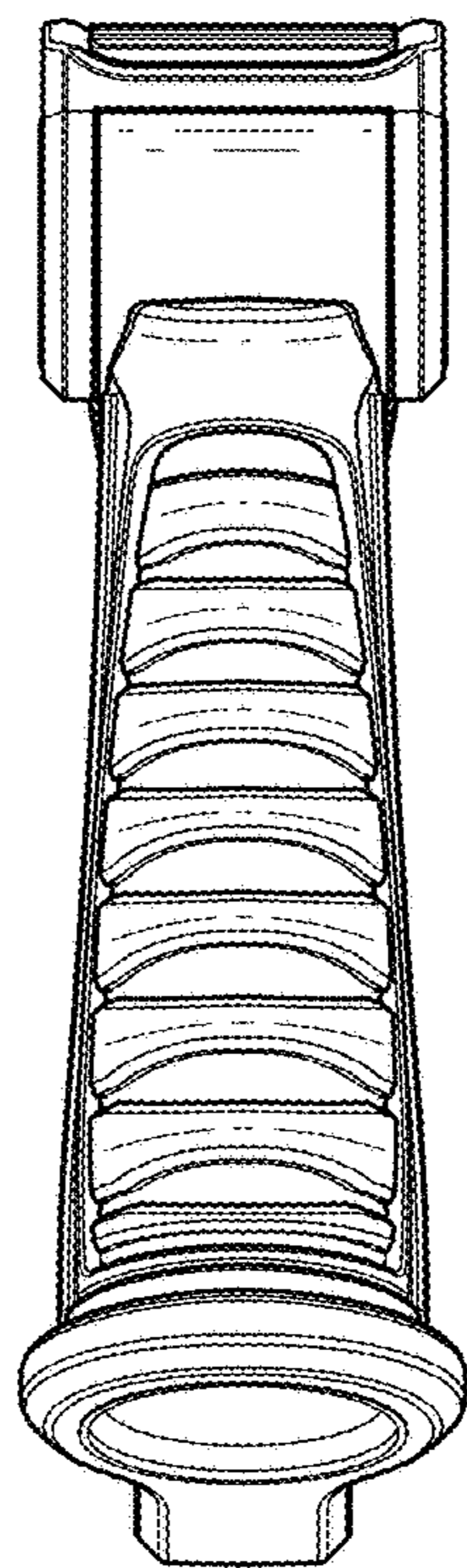


FIG. 5

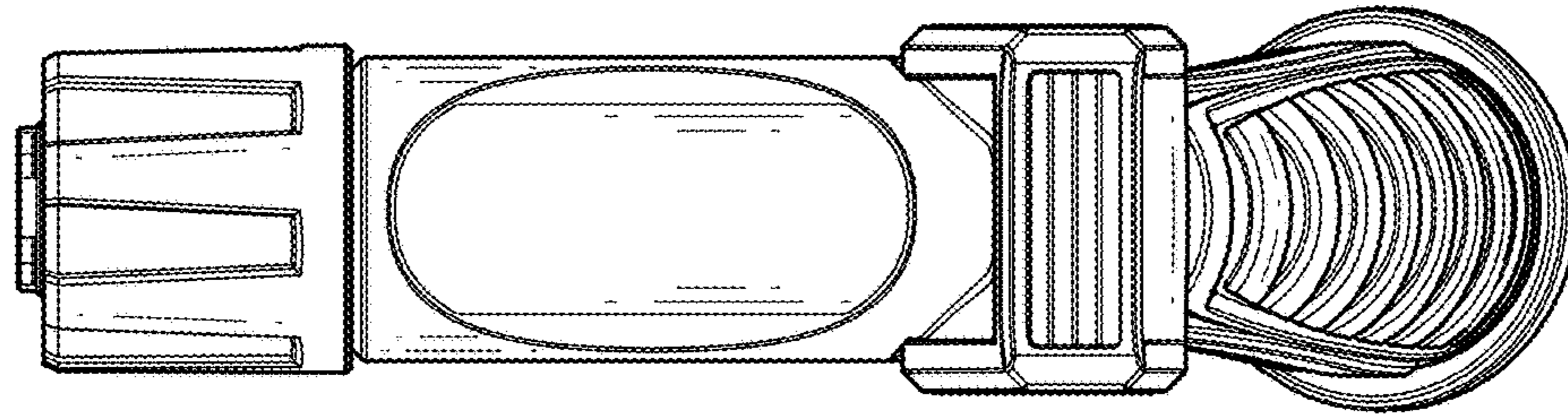


FIG. 6

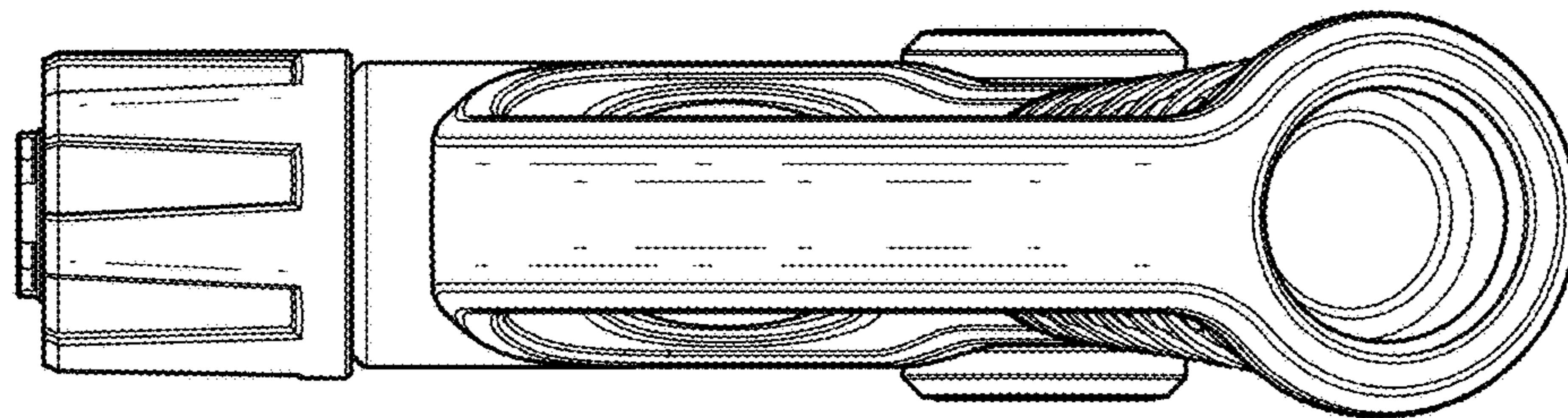


FIG. 7