



US00D824491S

(12) **United States Design Patent**  
**Montoya et al.**

(10) **Patent No.:** **US D824,491 S**

(45) **Date of Patent:** **\*\* Jul. 31, 2018**

(54) **NOZZLE**

(71) Applicant: **Fiskars Oyj Abp**, Helsinki (FI)

(72) Inventors: **Jean Mauricio Uruena Montoya**,  
Madison, WI (US); **Nicholas Vallo**,  
Madison, WI (US)

(73) Assignee: **Fiskars Oyj Abp**, Helsinki (FI)

(\*\*) Term: **15 Years**

(21) Appl. No.: **29/600,632**

(22) Filed: **Apr. 13, 2017**

(51) **LOC (11) Cl.** ..... **23-01**

(52) **U.S. Cl.**  
USPC ..... **D23/223**

(58) **Field of Classification Search**  
USPC ..... D23/213, 223, 226; D8/2; 239/532  
CPC ..... B05B 15/061; B05B 1/00; B05B 5/00;  
B05B 1/005; B05B 3/00; B05B 9/01;  
B05B 7/1209

See application file for complete search history.

(56) **References Cited**

U.S. PATENT DOCUMENTS

646,590	A	4/1900	Williams	
2,813,730	A	11/1957	Courtot	
2,814,862	A	12/1957	Heckethorn	
3,162,470	A	12/1964	Davidson et al.	
D296,579	S	7/1988	Hattori	
D329,891	S	9/1992	Sievers	
5,192,219	A	3/1993	Fowler et al.	
5,364,135	A	11/1994	Anderson	
5,806,770	A	9/1998	Wang	
D472,959	S	4/2003	Alkalay et al.	
6,602,085	B2	8/2003	Young et al.	
D603,940	S	11/2009	Jerabek et al.	
D604,390	S *	11/2009	Cheng	D23/223
D615,615	S *	5/2010	Cheng	D23/226
D619,208	S	7/2010	Jian et al.	

D650,042	S *	12/2011	Nies	D23/223
D650,044	S *	12/2011	Nies	D23/223
D678,980	S *	3/2013	Nies	D23/223
D702,319	S *	4/2014	Mammen	D23/223
D712,512	S *	9/2014	Mammen	D23/226
D714,422	S *	9/2014	Mammen	D23/226
D714,423	S *	9/2014	Mammen	D23/226
D714,908	S *	10/2014	Mammen	D23/226
D736,350	S *	8/2015	Cheng	D23/226
D746,946	S	1/2016	Naslund	
D746,947	S *	1/2016	Naslund	D23/223
9,559,458	B2	1/2017	Zhang et al.	
D779,041	S *	2/2017	Chen	D23/226
D782,005	S *	3/2017	Naslund	D23/223

(Continued)

OTHER PUBLICATIONS

U.S. Appl. No. 29/600,627, filed Apr. 13, 2017, Fiskars Oyj Abp.  
(Continued)

*Primary Examiner* — Robin V Webster  
(74) *Attorney, Agent, or Firm* — Foley & Lardner LLP

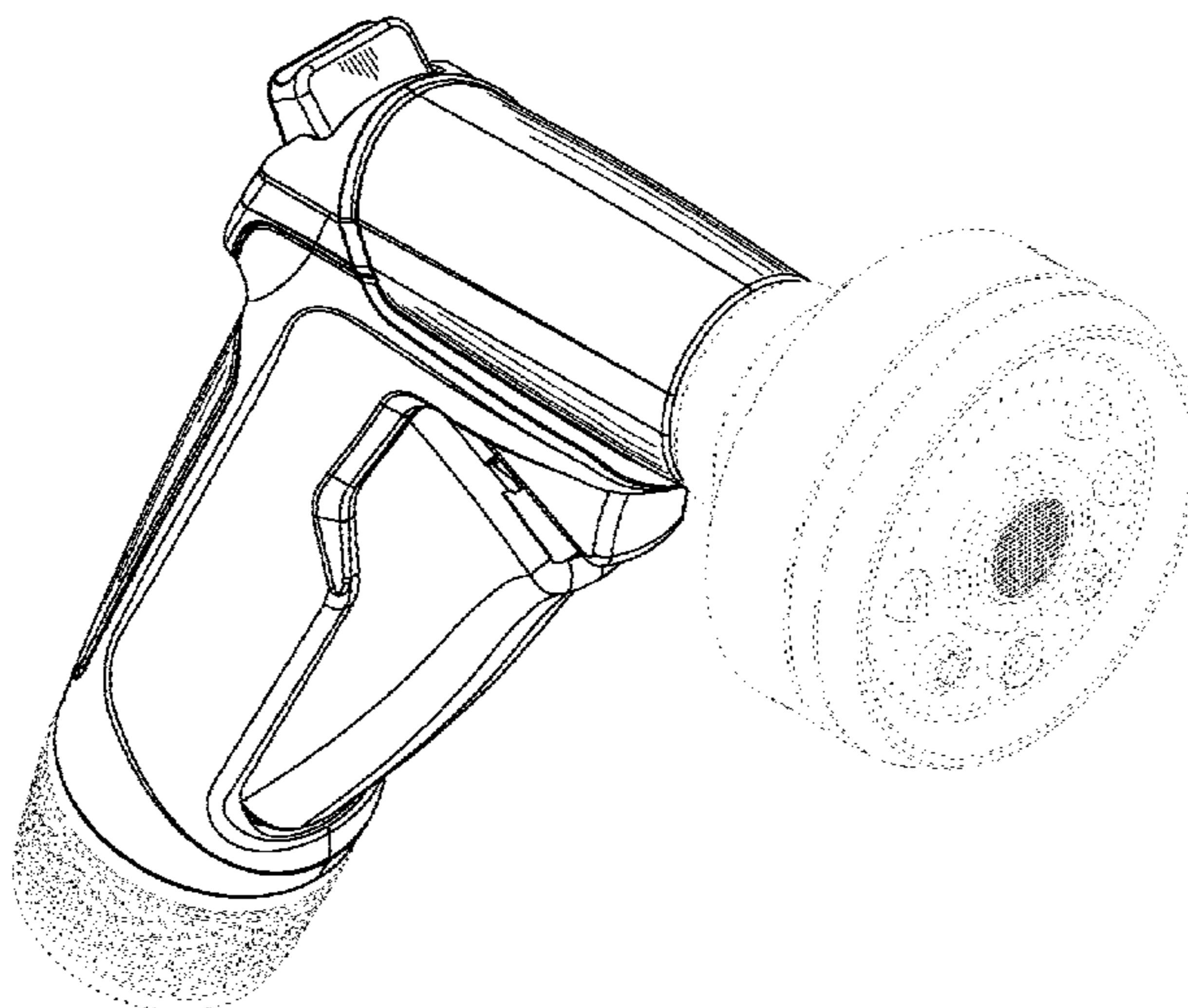
(57) **CLAIM**

We claim the ornamental design for a nozzle, as shown and described.

**DESCRIPTION**

FIG. 1 is a top perspective view of a nozzle showing our new design;  
FIG. 2 is front view thereof;  
FIG. 3 is a rear view thereof;  
FIG. 4 is a left side view thereof;  
FIG. 5 is a right side view thereof;  
FIG. 6 is a bottom view thereof; and,  
FIG. 7 is a top view thereof.  
The broken line showing of portions of the nozzle is included for the purpose of illustrating and forms no part of the claimed design.

**1 Claim, 6 Drawing Sheets**



(56)

**References Cited**

U.S. PATENT DOCUMENTS

D782,008 S     3/2017 Naslund et al.  
D783,125 S \*   4/2017 Chen ..... D23/226  
D802,092 S     11/2017 Naslund et al.  
D808,499 S     1/2018 Naslund et al.

OTHER PUBLICATIONS

U.S. Appl. No. 29/600,628, filed Apr. 13, 2017, Fiskars Oyj Abp.  
U.S. Appl. No. 29/600,631, filed Apr. 13, 2017, Fiskars Oyj Abp.  
U.S. Appl. No. 29/600,633, filed Apr. 13, 2017, Fiskars Oyj Abp.  
U.S. Appl. No. 29/600,634, filed Apr. 13, 2017, Fiskars Oyj Abp.  
U.S. Appl. No. 29/612,769, filed Aug. 3, 2017, Fiskars Finland Oy  
Ab.  
U.S. Appl. No. 29/612,771, filed Aug. 3, 2017, Fiskars Finland Oy  
Ab.  
U.S. Appl. No. 29/612,773, filed Aug. 3, 2017, Fiskars Finland Oy  
Ab.  
U.S. Appl. No. 29/612,774, filed Aug. 3, 2017, Fiskars Finland Oy  
Ab.

\* cited by examiner

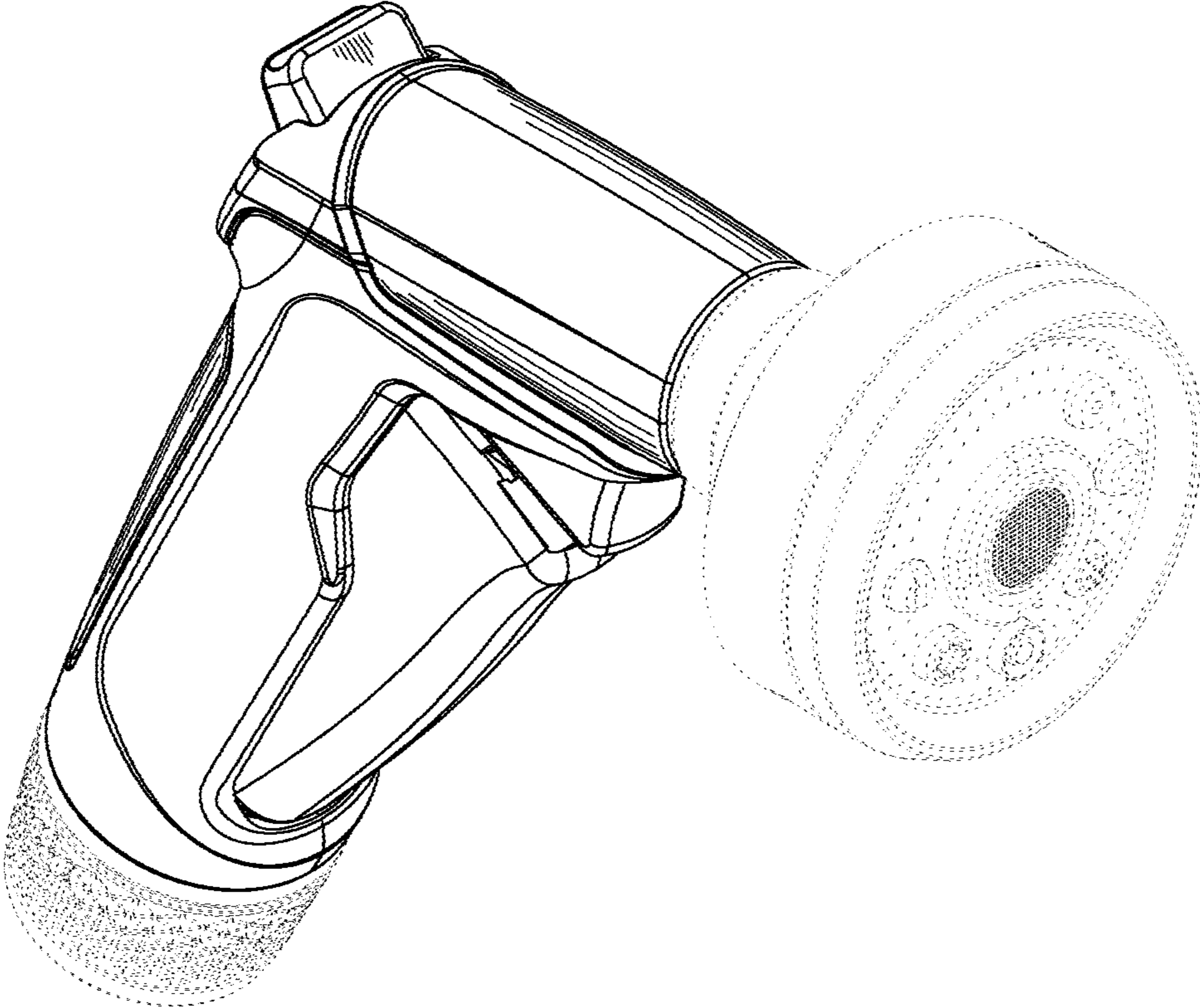


FIG. 1

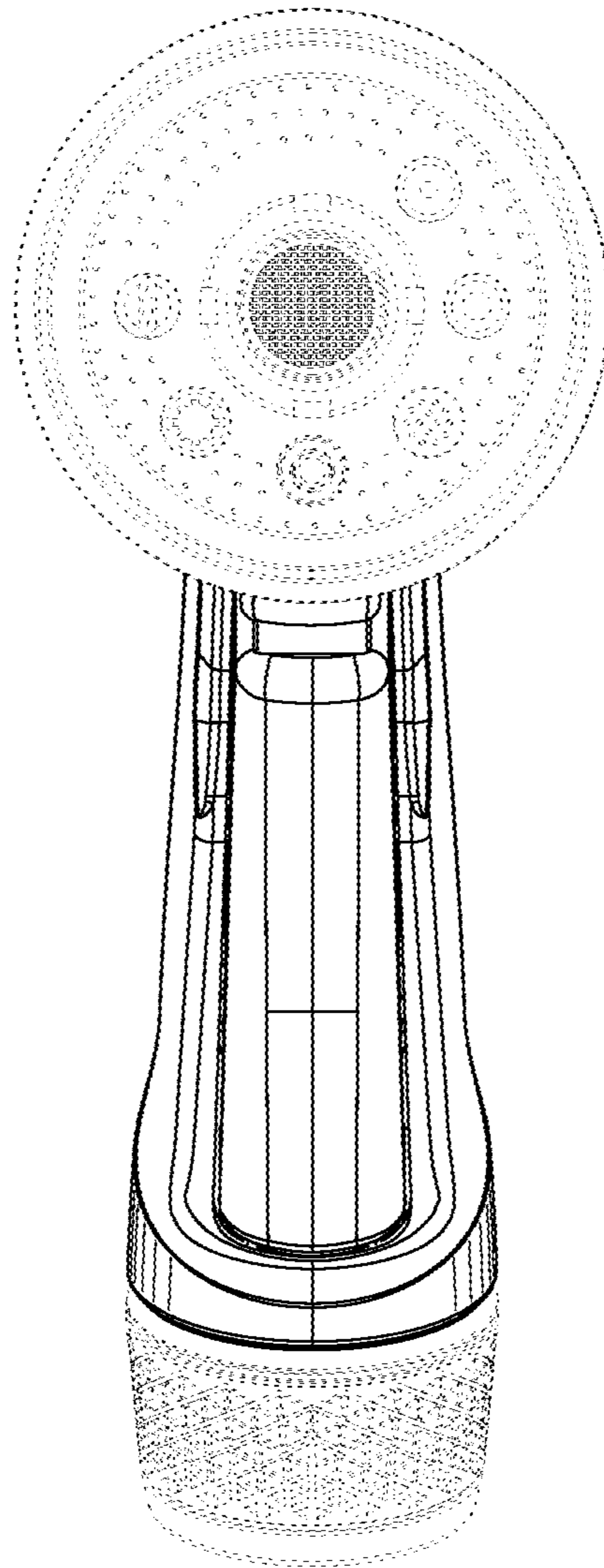


FIG. 2



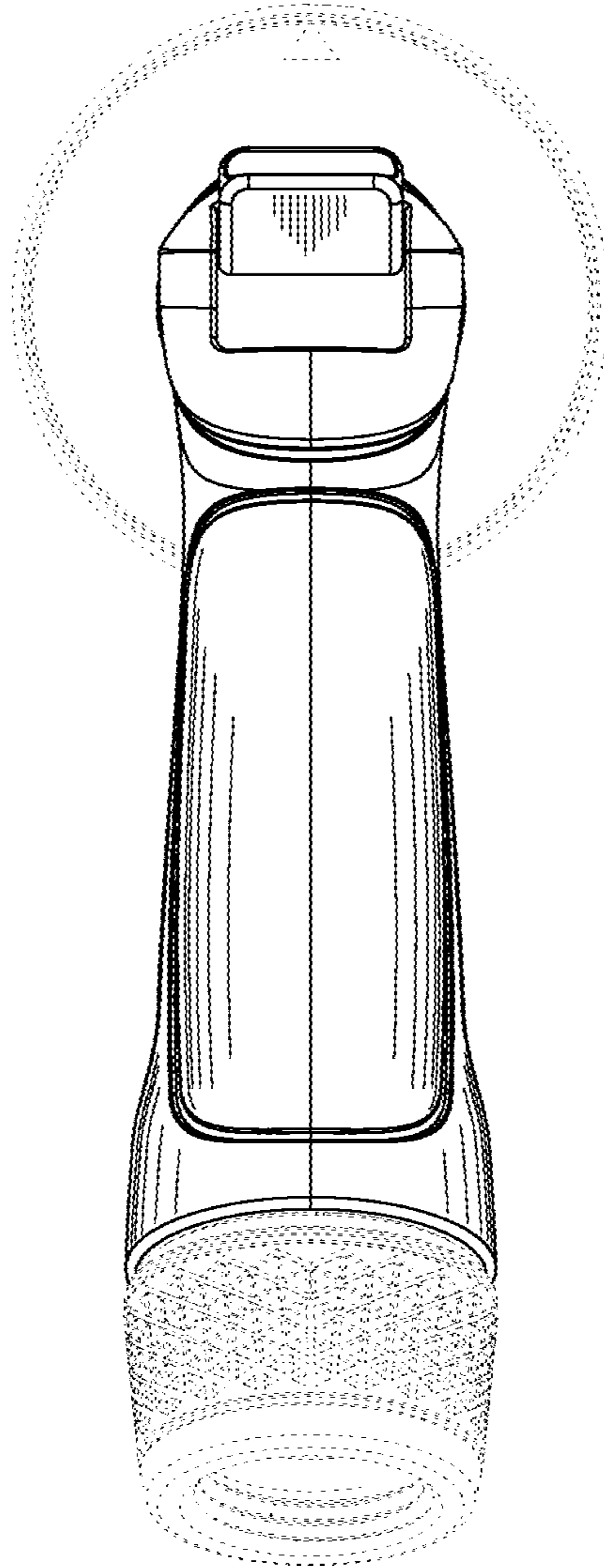


FIG. 3

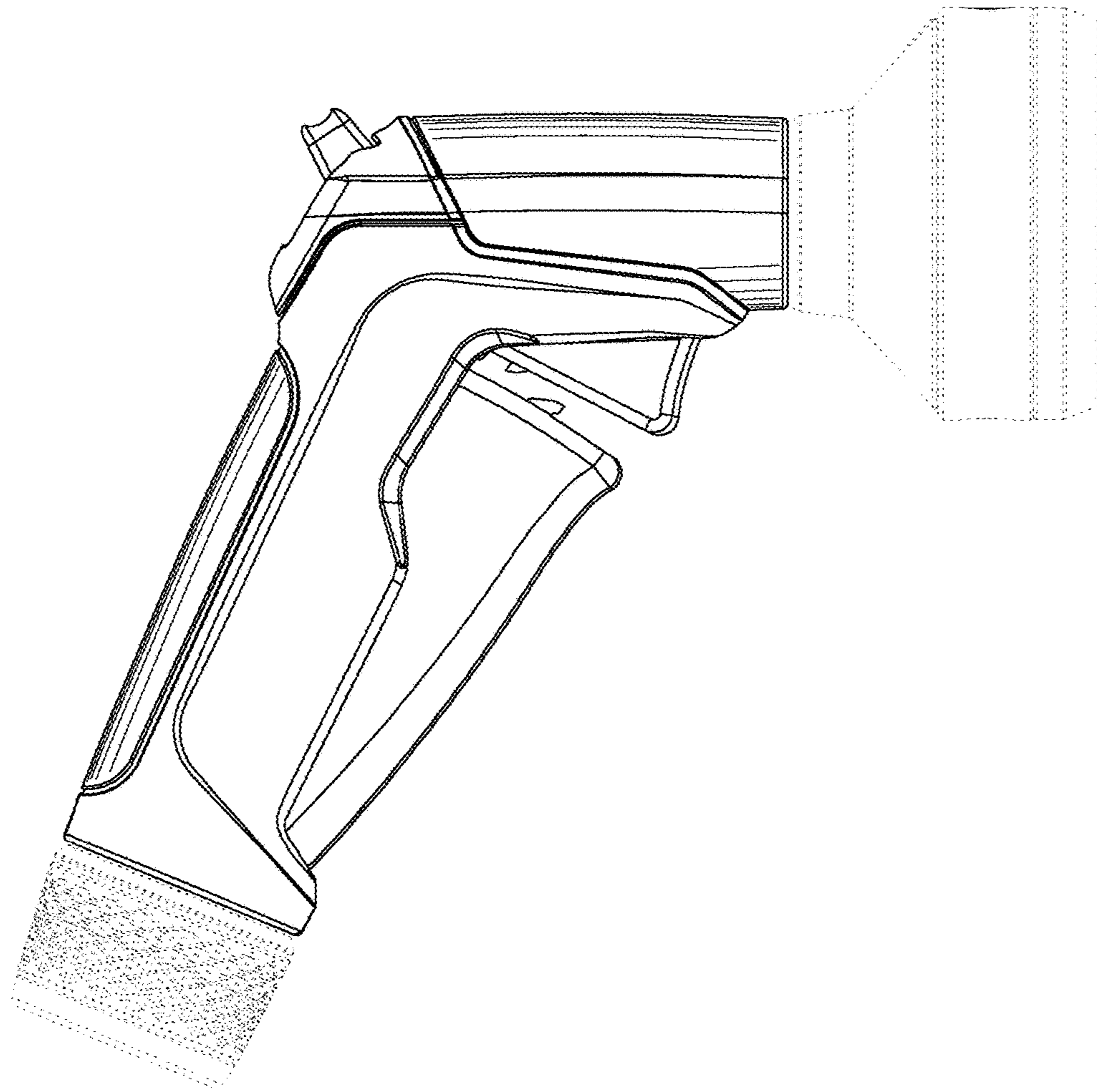


FIG. 4

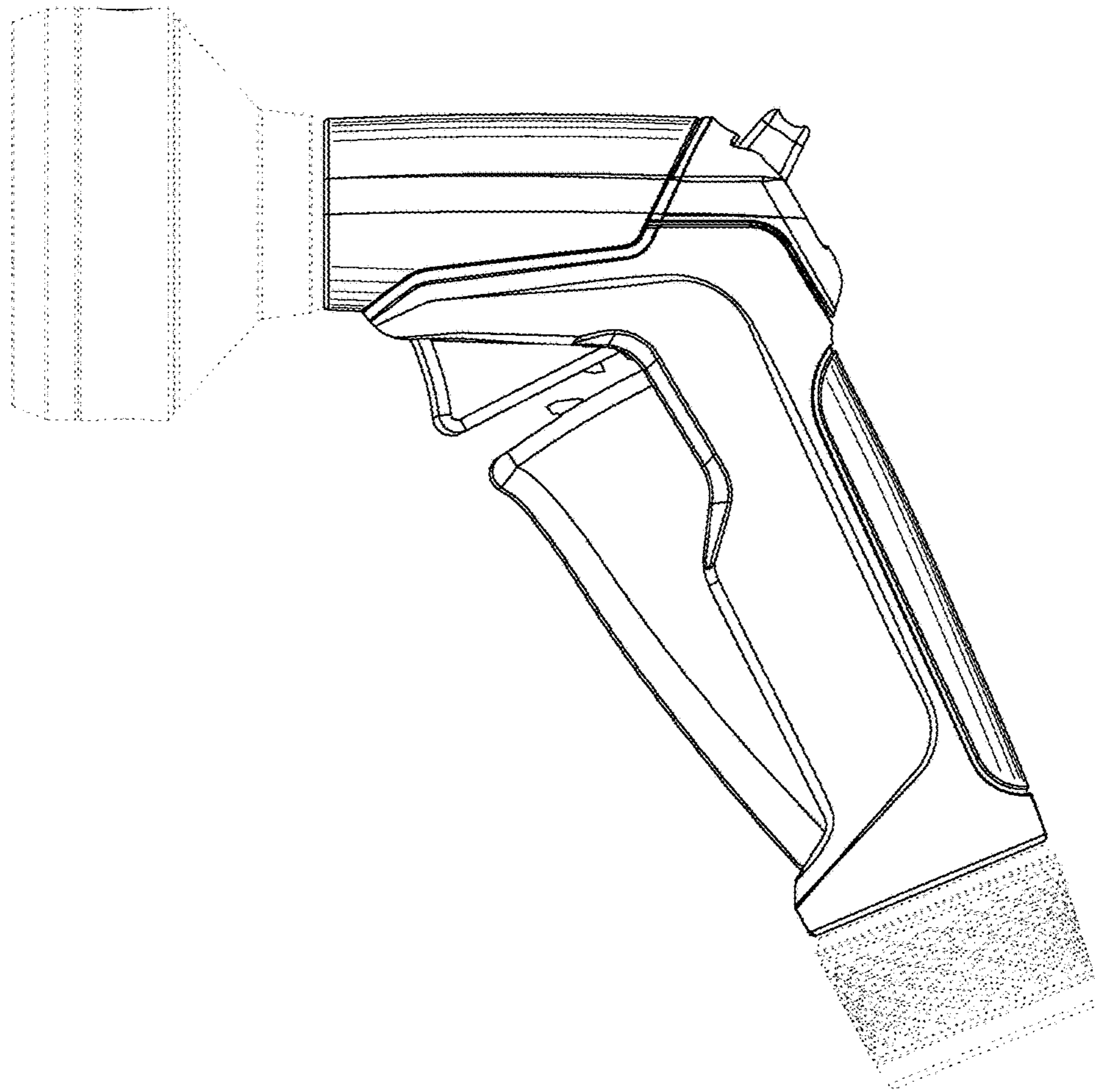


FIG. 5

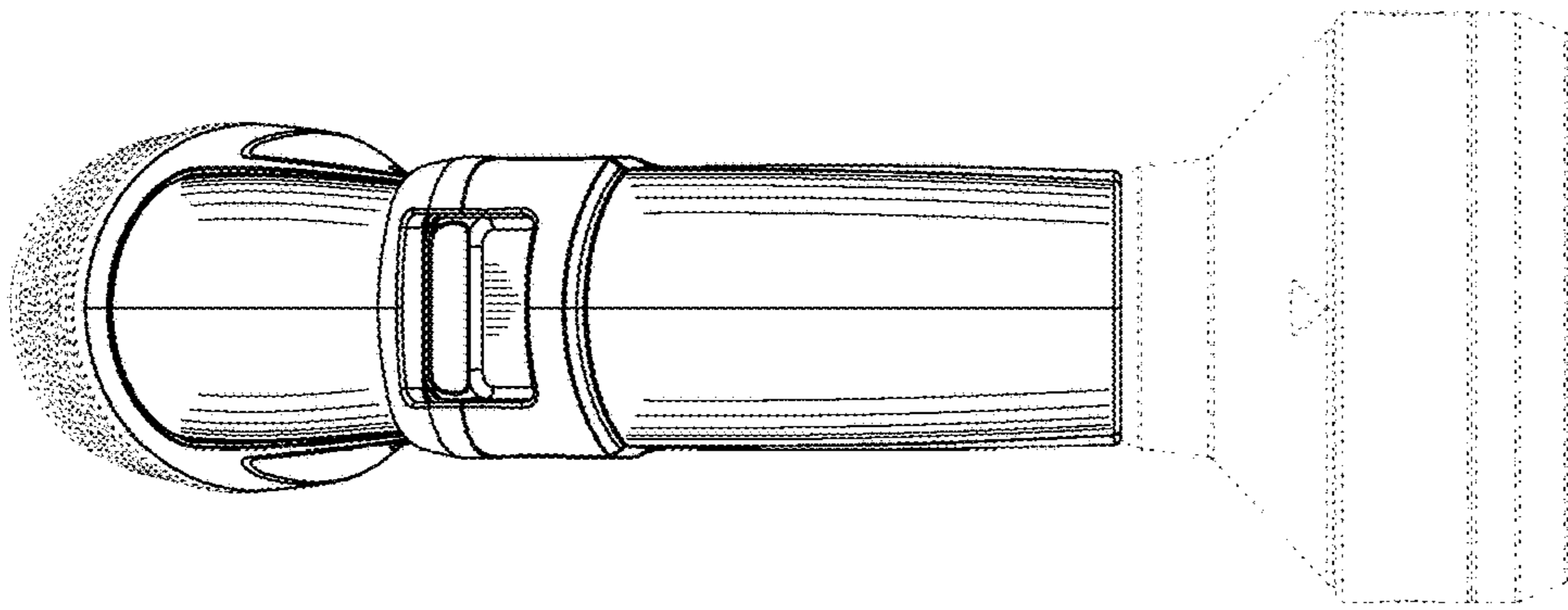


FIG. 7

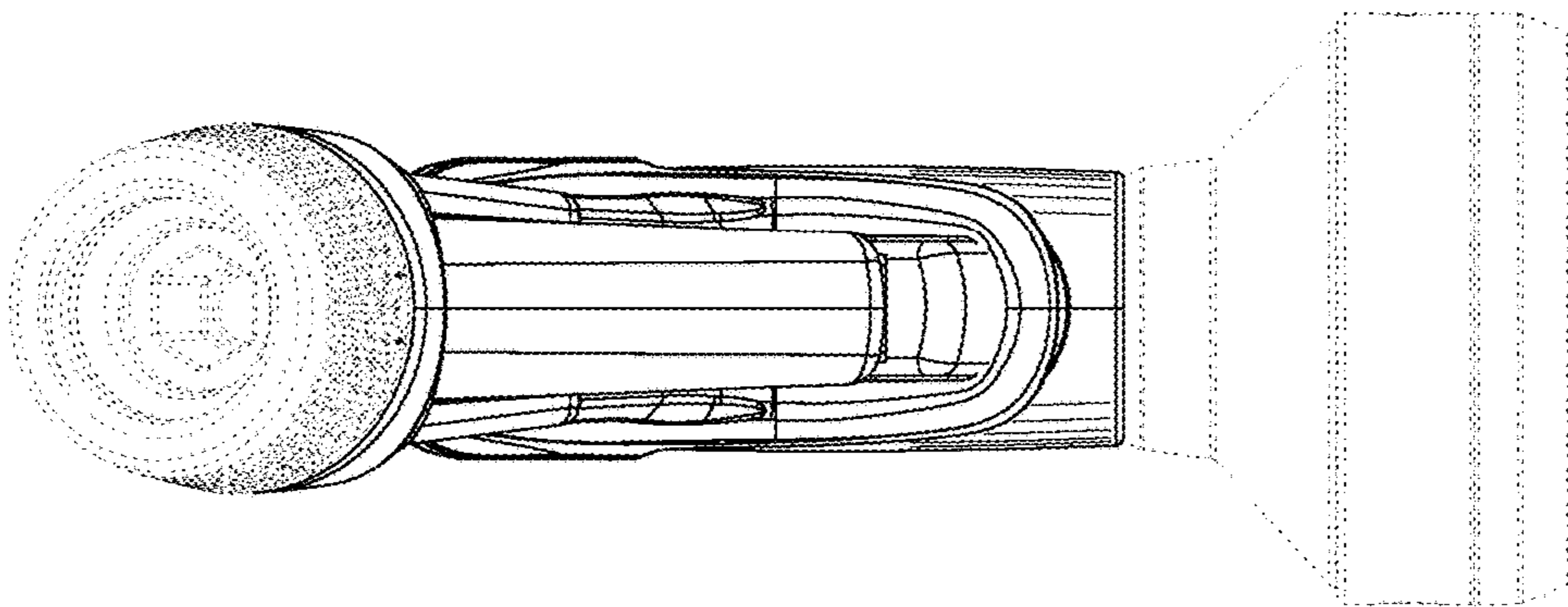


FIG. 6