



US00D824486S

(12) **United States Design Patent**
Urry

(10) **Patent No.:** **US D824,486 S**

(45) **Date of Patent:** **** Jul. 31, 2018**

- (54) **WATER SPRAYING GUN**
- (71) Applicant: **Andrew Mark Urry**, Salt Lake City, UT (US)
- (72) Inventor: **Andrew Mark Urry**, Salt Lake City, UT (US)
- (73) Assignee: **Orbit Irrigation Products, Inc.**, Salt Lake City, UT (US)

| | | | | |
|----------------|--------|----------|-------|------------|
| D615,158 S * | 5/2010 | Chen | | D23/226 |
| D726,872 S * | 4/2015 | Thurgood | | D23/223 |
| D749,696 S * | 2/2016 | Thurgood | | D23/223 |
| D767,091 S * | 9/2016 | Chen | | B05B 1/326 |
| | | | | D23/223 |
| D767,094 S * | 9/2016 | Chen | | B05B 1/12 |
| | | | | D23/223 |
| D779,036 S * | 2/2017 | Chen | | D23/223 |
| D783,122 S * | 4/2017 | Chen | | D23/226 |
| D783,123 S * | 4/2017 | Chen | | D23/226 |
| 9,707,573 B1 * | 7/2017 | Huang | | B05B 1/12 |
| 9,770,731 B1 * | 9/2017 | Chen | | B05B 1/326 |

(**) Term: **15 Years**

* cited by examiner

(21) Appl. No.: **29/598,760**

Primary Examiner — Robin V Webster

(22) Filed: **Mar. 28, 2017**

(74) *Attorney, Agent, or Firm* — Che-Yang Chen; Law Offices of Scott Warmuth

(51) **LOC (11) Cl.** **23-01**

(57) **CLAIM**

(52) **U.S. Cl.**
USPC **D23/223**

The ornamental design for a water spraying gun, as shown and described.

(58) **Field of Classification Search**
USPC D23/213, 223, 226; D8/2; 239/532
CPC B05B 15/061; B05B 1/00; B05B 5/00;
B05B 1/005; B05B 3/00; B05B 9/01;
B05B 7/1209

DESCRIPTION

See application file for complete search history.

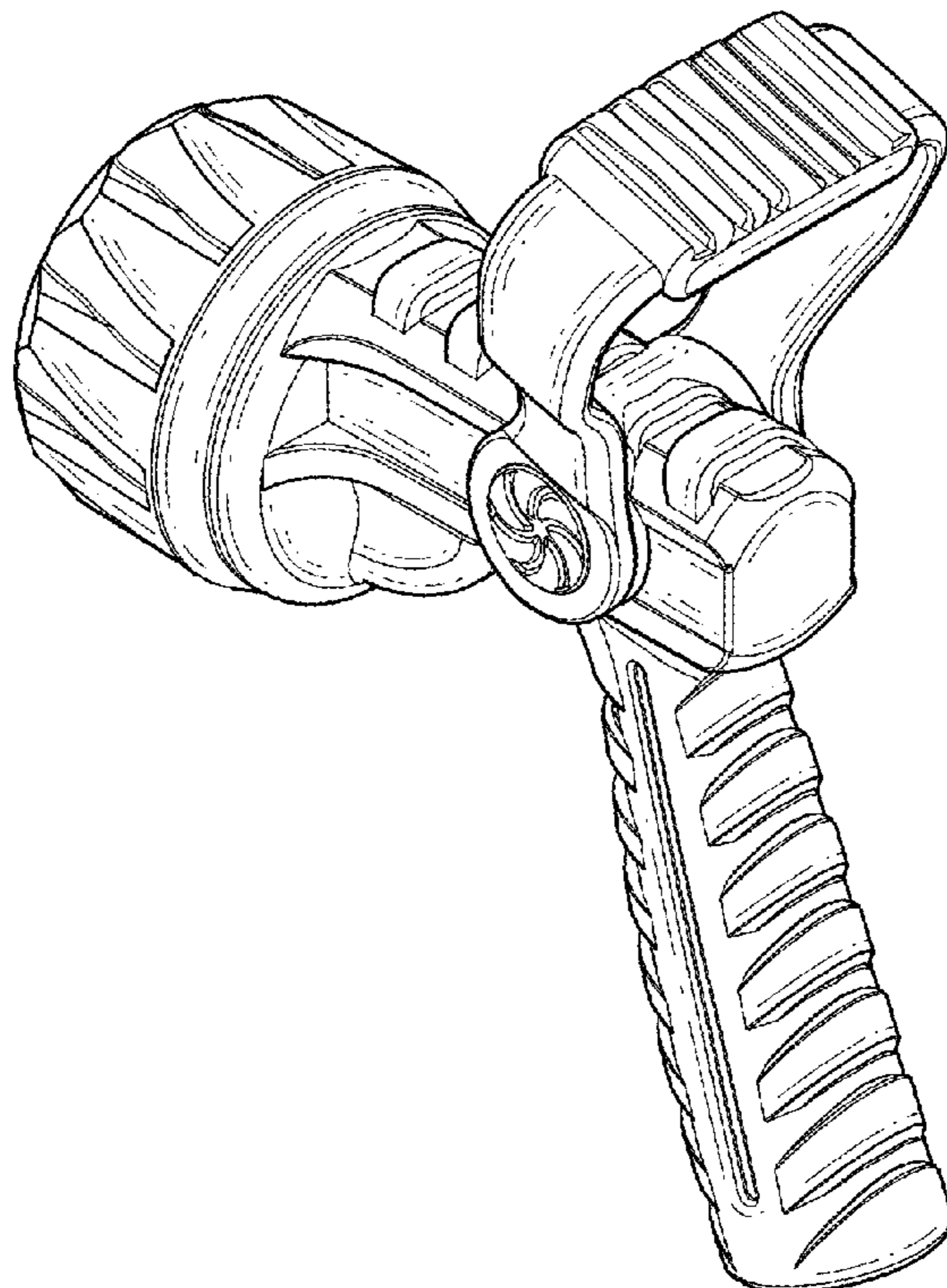
FIG. 1 is a perspective view of a water spraying gun showing my new design;
FIG. 2 is a front elevational view thereof;
FIG. 3 is a rear elevational view thereof;
FIG. 4 is a left side elevational view thereof;
FIG. 5 is a right side elevational view thereof;
FIG. 6 is a top plan view thereof; and,
FIG. 7 is a bottom plan view thereof.

(56) **References Cited**

U.S. PATENT DOCUMENTS

| | | | | |
|--------------|--------|------|-------|---------|
| D489,792 S * | 5/2004 | Chen | | D23/223 |
| D615,157 S * | 5/2010 | Chen | | D23/226 |

1 Claim, 5 Drawing Sheets



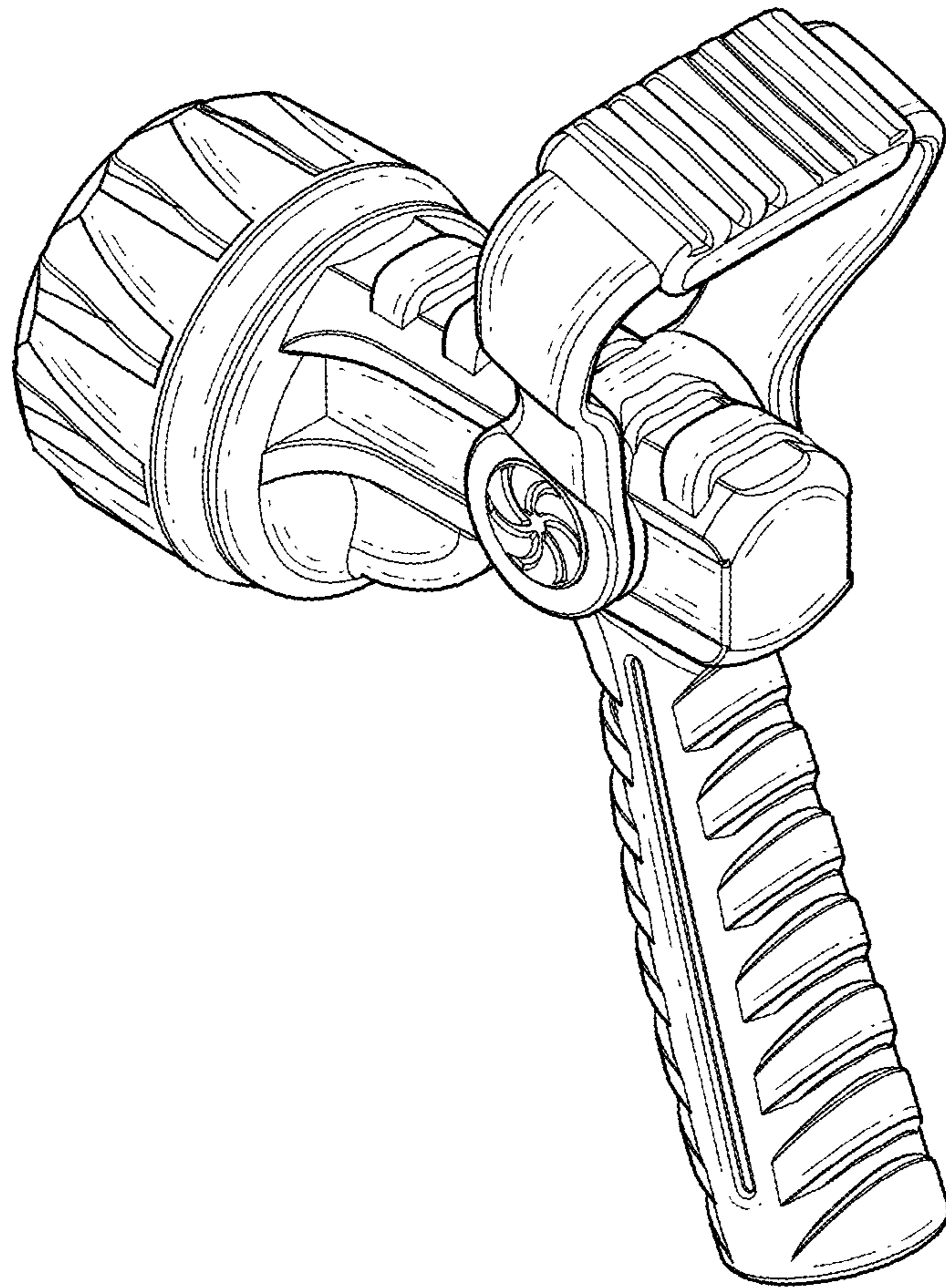


FIG. 1

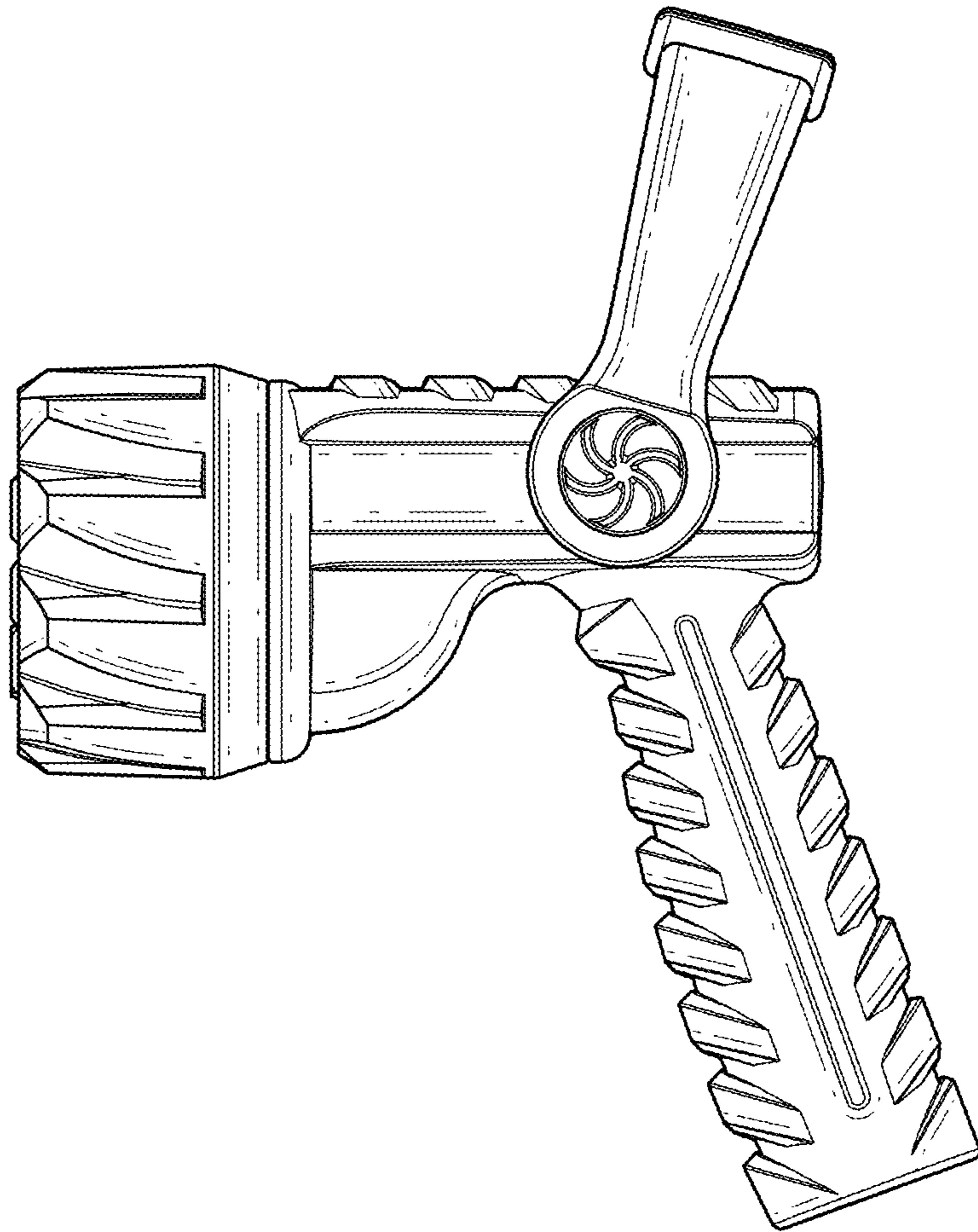


FIG. 2

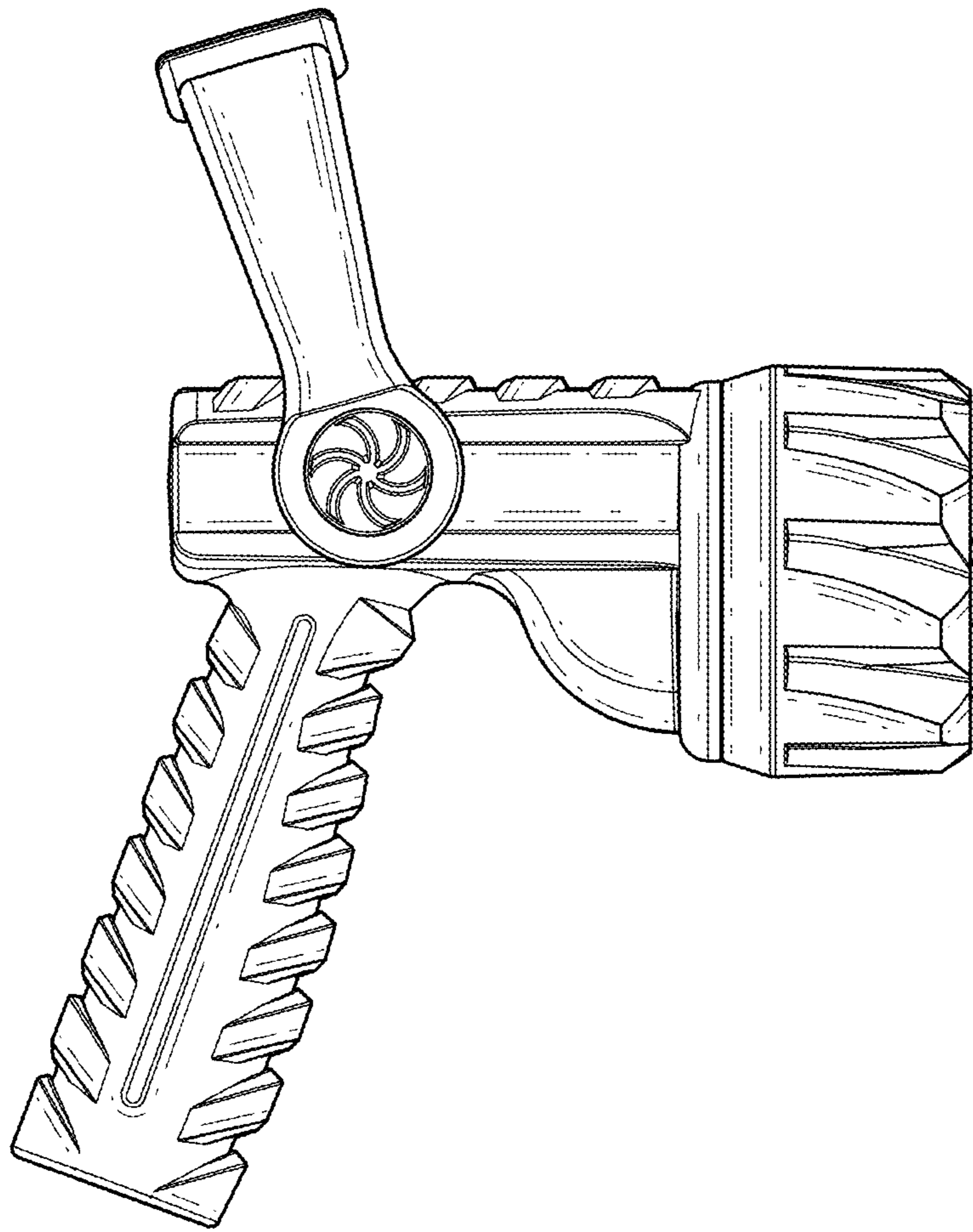


FIG. 3

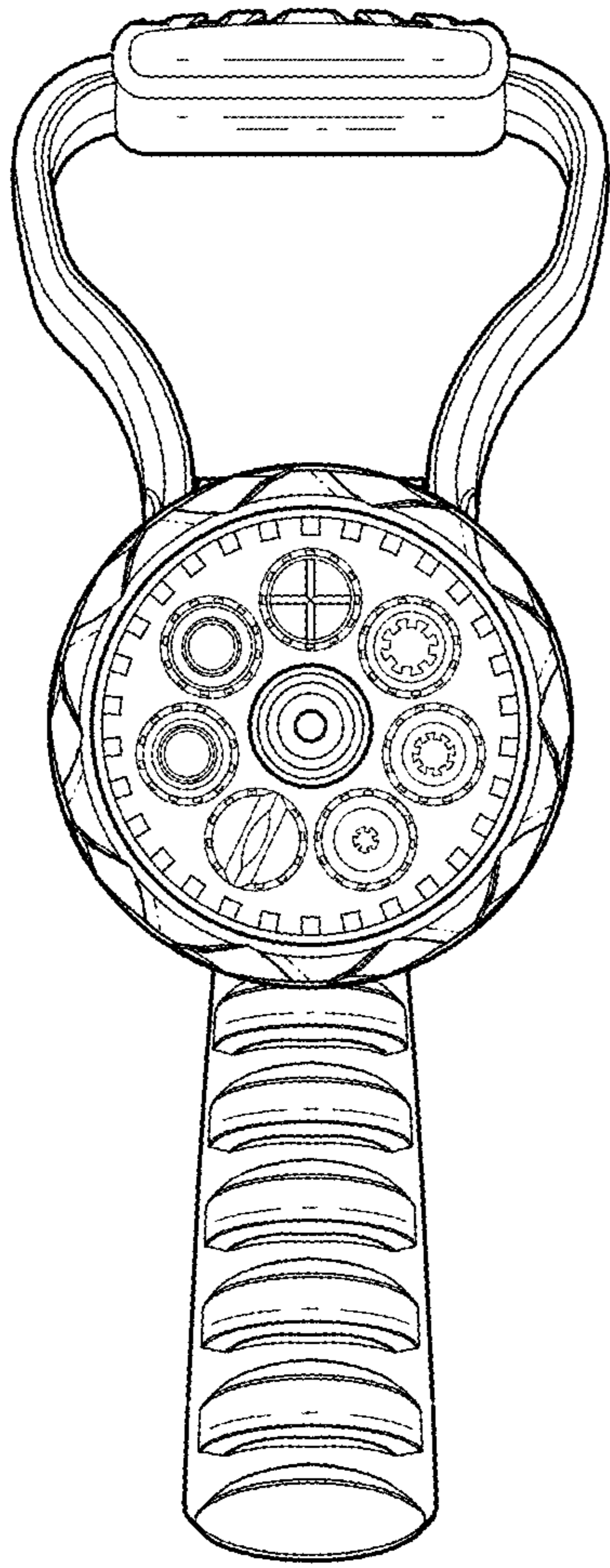


FIG. 4

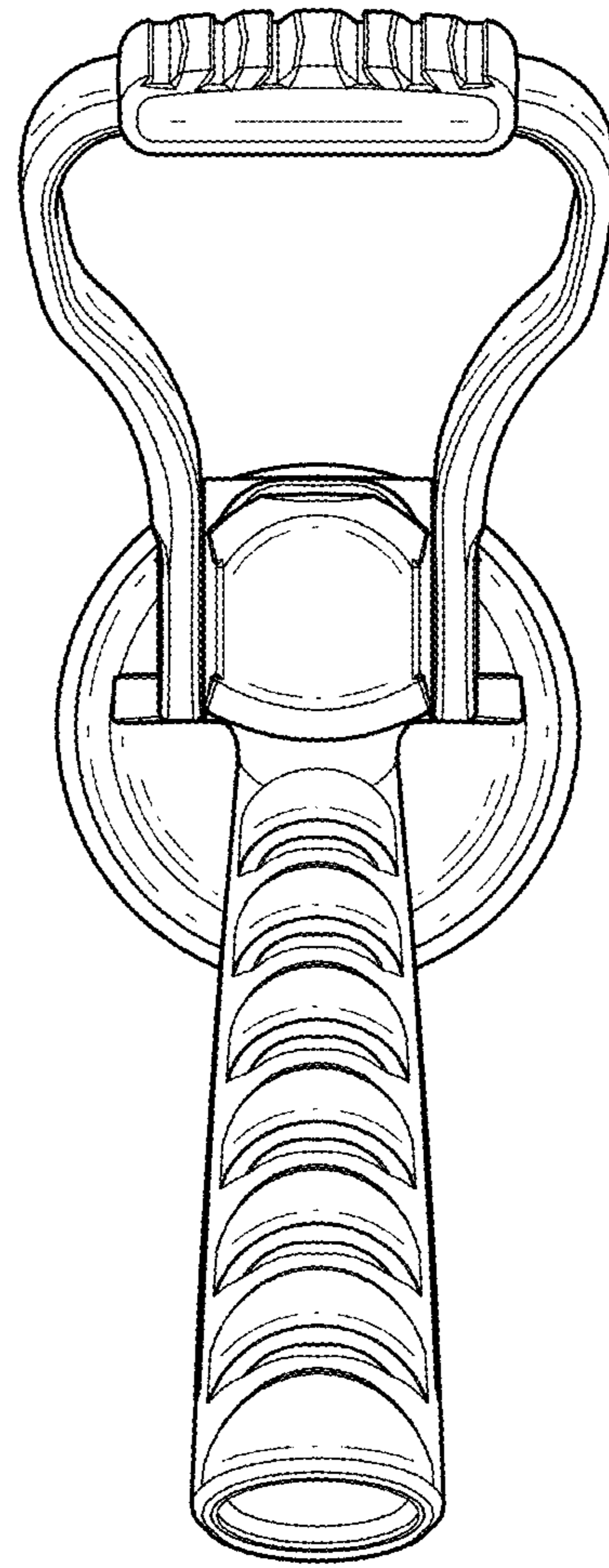


FIG. 5

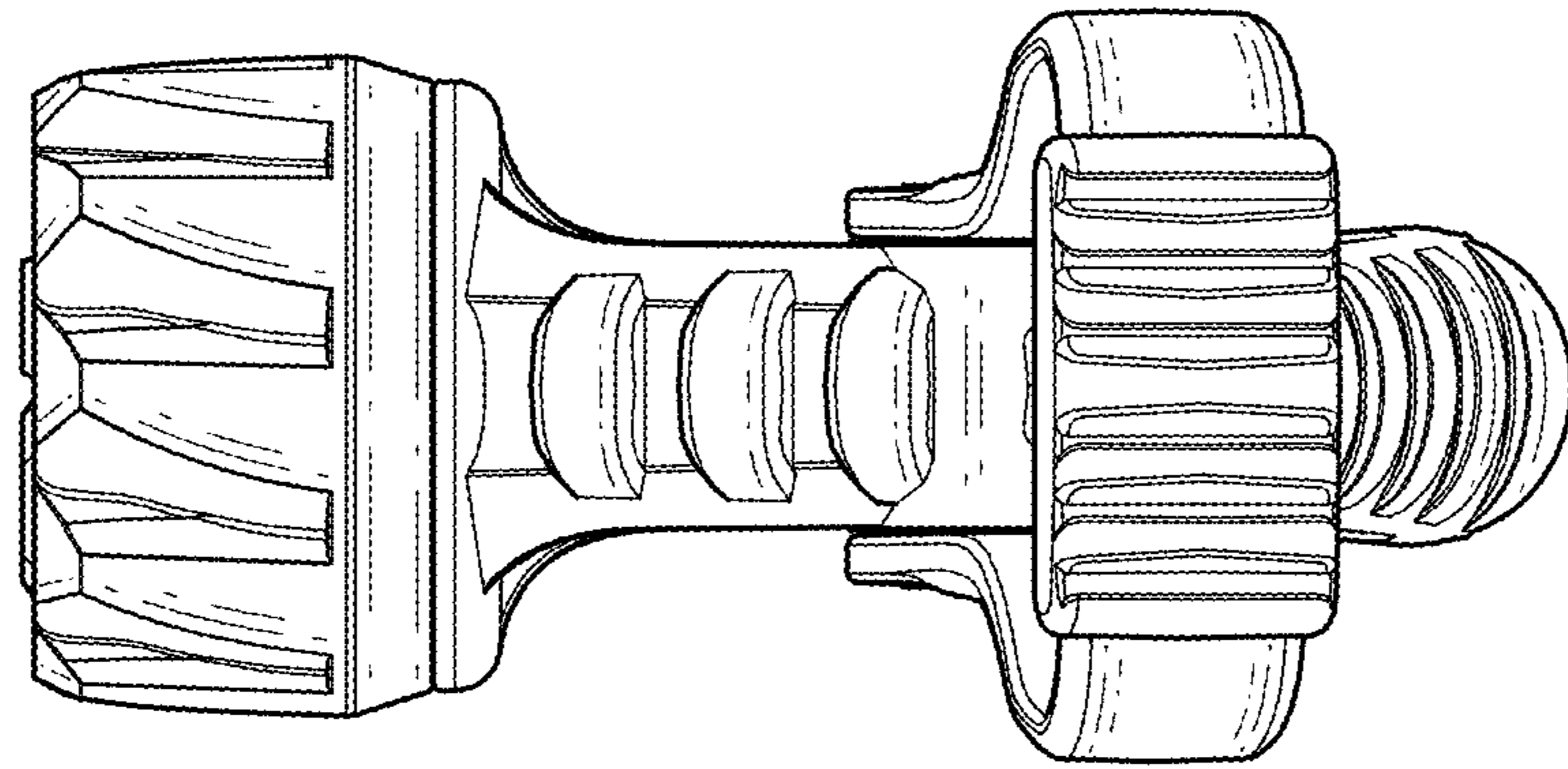


FIG. 6

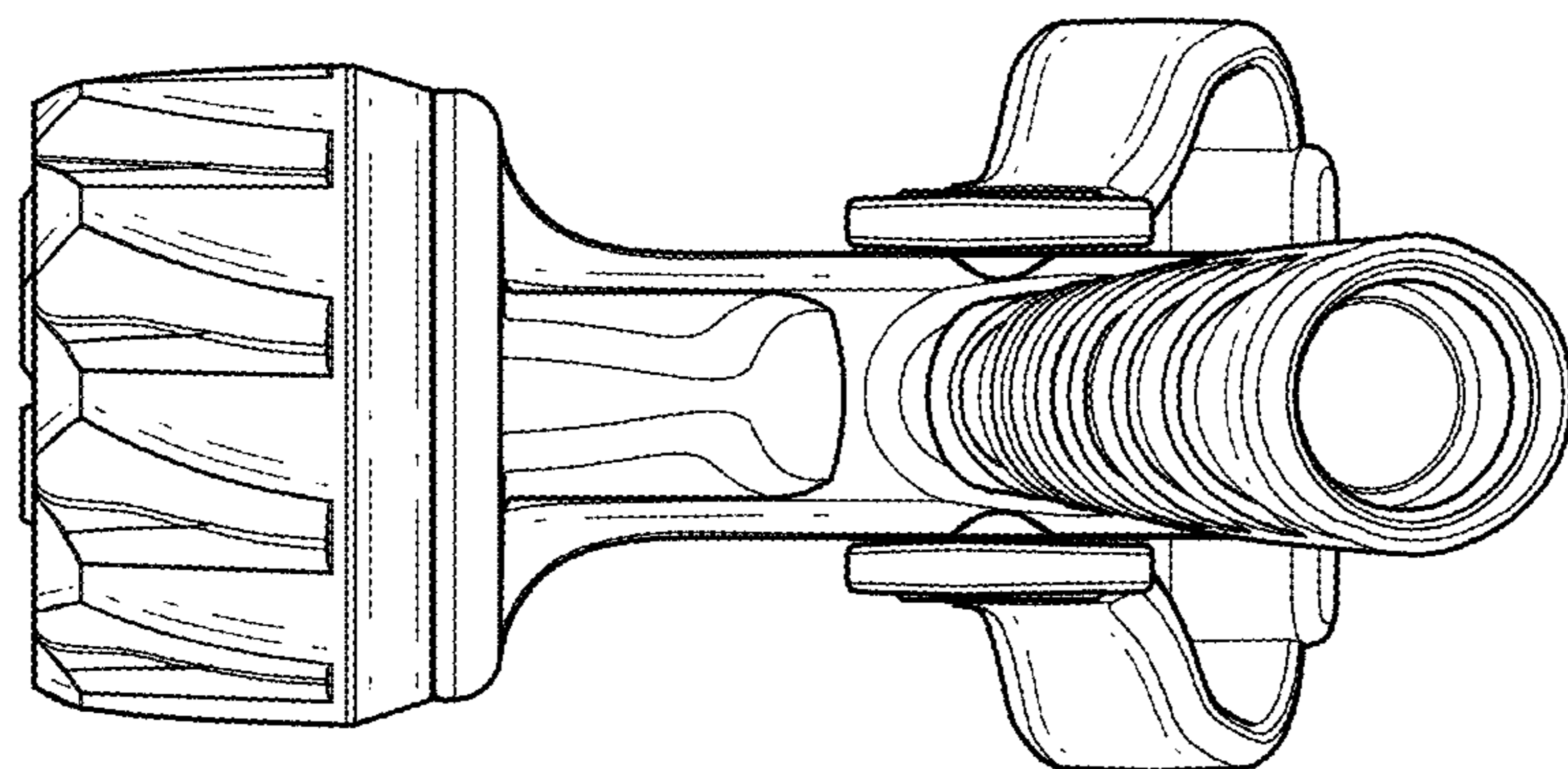


FIG. 7