



US00D824485S

(12) **United States Design Patent** (10) **Patent No.:** **US D824,485 S**  
**Montoya et al.** (45) **Date of Patent:** **\*\* Jul. 31, 2018**

(54) **NOZZLE HEAD**  
(71) Applicant: **Fiskars Oyj Abp**, Helsinki (FI)  
(72) Inventors: **Jean Mauricio Uruena Montoya**,  
Madison, WI (US); **Nicholas Vallo**,  
Madison, WI (US)  
(73) Assignee: **Fiskars Oyj Abp**, Helsinki (FI)  
(\*\*) Term: **15 Years**  
(21) Appl. No.: **29/600,634**  
(22) Filed: **Apr. 13, 2017**  
(51) **LOC (11) Cl.** ..... **23-01**  
(52) **U.S. Cl.**  
USPC ..... **D23/213**  
(58) **Field of Classification Search**  
USPC ..... D23/213, 223, 226; D8/2; 239/532  
CPC ..... B05B 15/061; B05B 1/00; B05B 5/00;  
B05B 1/005; B05B 3/00; B05B 9/01;  
B05B 7/1209  
See application file for complete search history.

D619,208 S \* 7/2010 Jian ..... D23/223  
D650,042 S 12/2011 Nies et al.  
D650,044 S 12/2011 Nies et al.  
D678,980 S 3/2013 Nies et al.  
D702,319 S 4/2014 Mammen  
D712,512 S 9/2014 Mammen et al.  
D714,422 S 9/2014 Mammen et al.  
D714,423 S 9/2014 Mammen et al.  
D714,908 S 10/2014 Mammen et al.  
(Continued)

**OTHER PUBLICATIONS**

U.S. Appl. No. 29/600,627, filed Apr. 13, 2017, Fiskars OJY ABP.  
(Continued)

*Primary Examiner* — Robin V Webster  
(74) *Attorney, Agent, or Firm* — Foley & Lardner LLP

(57) **CLAIM**

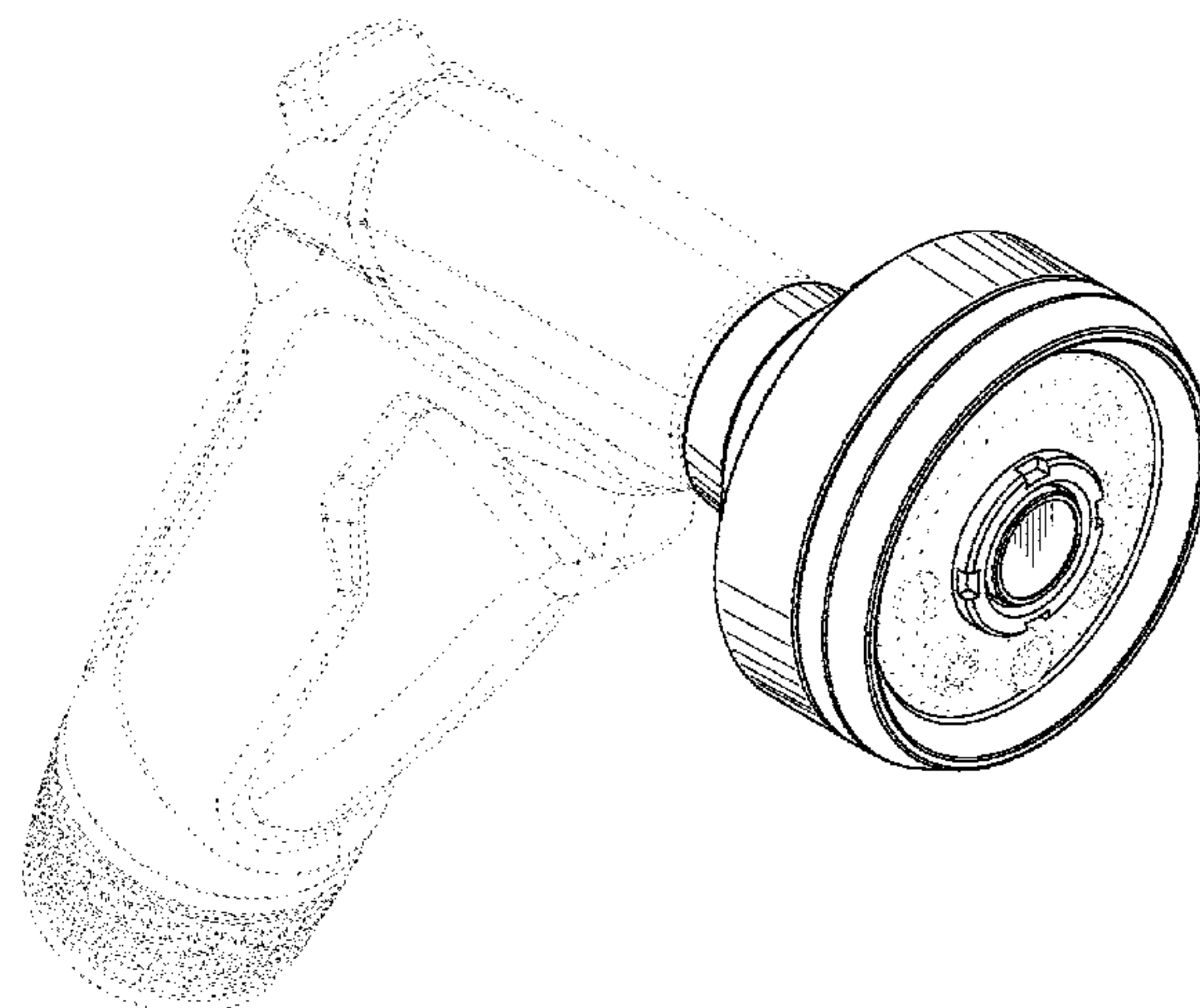
We claim the ornamental design for a nozzle head, as shown and described.

**DESCRIPTION**

FIG. 1 is a top perspective view of an embodiment of the claimed design;  
FIG. 2 is front view thereof;  
FIG. 3 is a rear view thereof;  
FIG. 4 is a left side view thereof;  
FIG. 5 is a right side view thereof;  
FIG. 6 is a bottom view thereof; and,  
FIG. 7 is a top view thereof.  
Any portion of the article depicted in broken lines forms no part of the claimed design. Broken lines formed by equal length dashes show unclaimed subject matter. Broken lines formed of unequal length dashes (i.e., dash-dot) show boundaries between claimed and unclaimed portions of the design. Broken lines having a jagged element show that no particular length of the portion is claimed.

**1 Claim, 6 Drawing Sheets**

(56) **References Cited**  
U.S. PATENT DOCUMENTS  
646,590 A 4/1900 Williams  
2,813,730 A 11/1957 Heckethorn  
2,814,862 A 12/1957 Heckethorn  
3,162,470 A 12/1964 Davidson et al.  
D296,579 S 7/1988 Hattori  
D329,891 S 9/1992 Sievers  
5,192,219 A 3/1993 Fowler et al.  
5,364,135 A 11/1994 Anderson  
5,806,770 A \* 9/1998 Wang ..... B05B 1/1681  
239/391  
D472,959 S \* 4/2003 Alkalay ..... D23/223  
6,602,085 B2 8/2003 Young et al.  
D603,940 S 11/2009 Jerabek et al.  
D604,390 S 11/2009 Cheng  
D615,615 S 5/2010 Cheng



(56)

**References Cited**

U.S. PATENT DOCUMENTS

D736,350 S 8/2015 Cheng  
D746,946 S \* 1/2016 Naslund ..... D23/223  
D746,947 S 1/2016 Naslund  
9,559,458 B2 1/2017 Zhang et al.  
D779,041 S 2/2017 Chen  
D782,005 S 3/2017 Naslund et al.  
D782,008 S \* 3/2017 Naslund ..... D23/226  
D783,125 S 4/2017 Chen  
D802,092 S \* 11/2017 Naslund ..... B05B 1/1681  
D23/223  
D808,499 S \* 1/2018 Naslund ..... D23/213

OTHER PUBLICATIONS

U.S. Appl. No. 29/600,628, filed Apr. 13, 2017, Fiskars OJY ABP.  
U.S. Appl. No. 29/600,631, filed Apr. 13, 2017, Fiskars OJY ABP.  
U.S. Appl. No. 29/600,632, filed Apr. 13, 2017, Fiskars OJY ABP.  
U.S. Appl. No. 29/600,633, filed Apr. 13, 2017, Fiskars OJY ABP.  
U.S. Appl. No. 29/612,769, filed Aug. 3, 2017, Fiskars Finland OY AB.  
U.S. Appl. No. 29/612,771, filed Aug. 3, 2017, Fiskars Finland OY AB.  
U.S. Appl. No. 29/612,773, filed Aug. 3, 2017, Fiskars Finland OY AB.  
U.S. Appl. No. 29/612,774, filed Aug. 3, 2017, Fiskars Finland OY AB.

\* cited by examiner

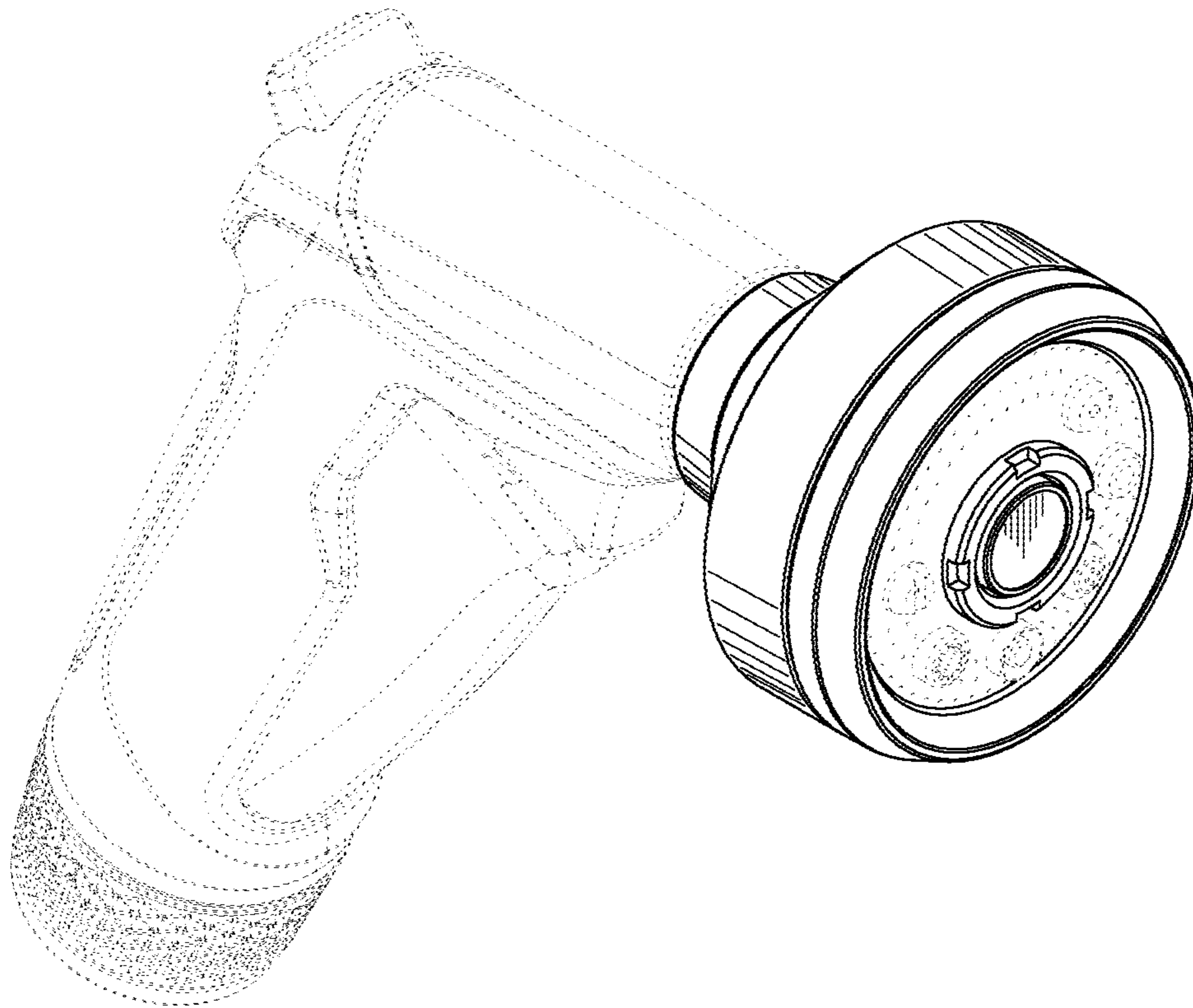


FIG. 1

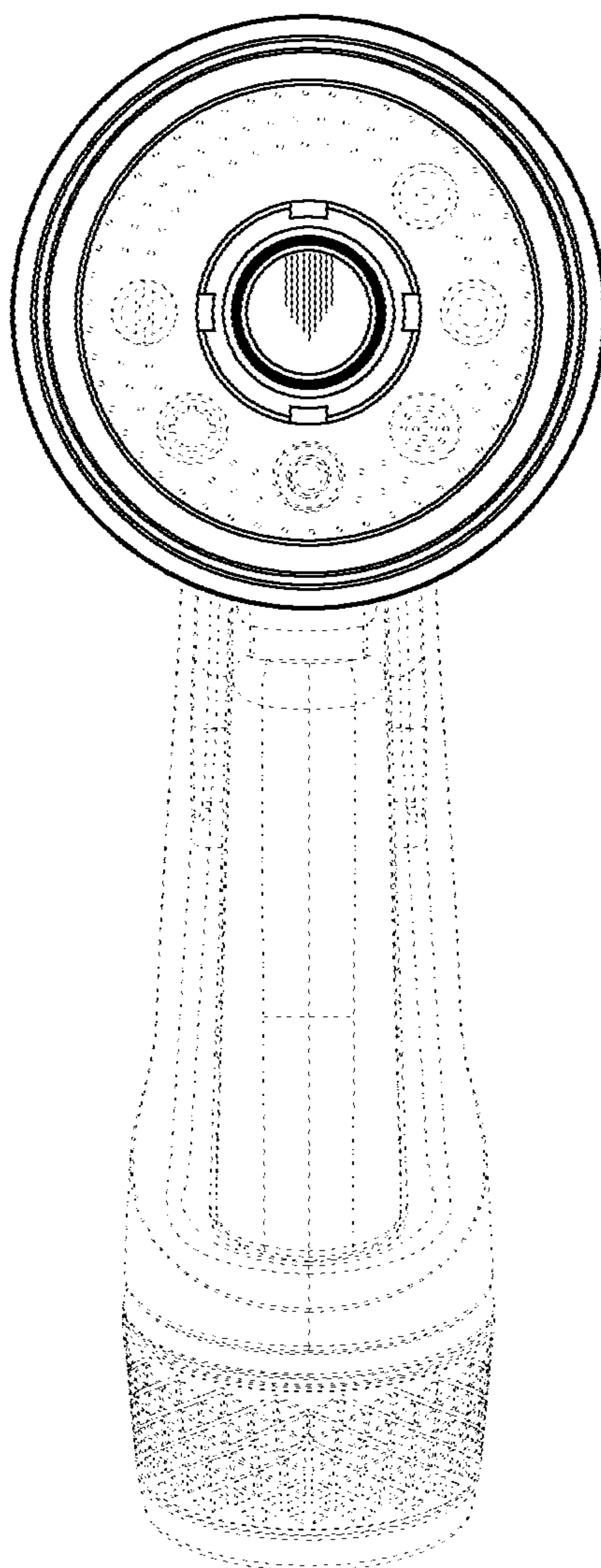


FIG. 2

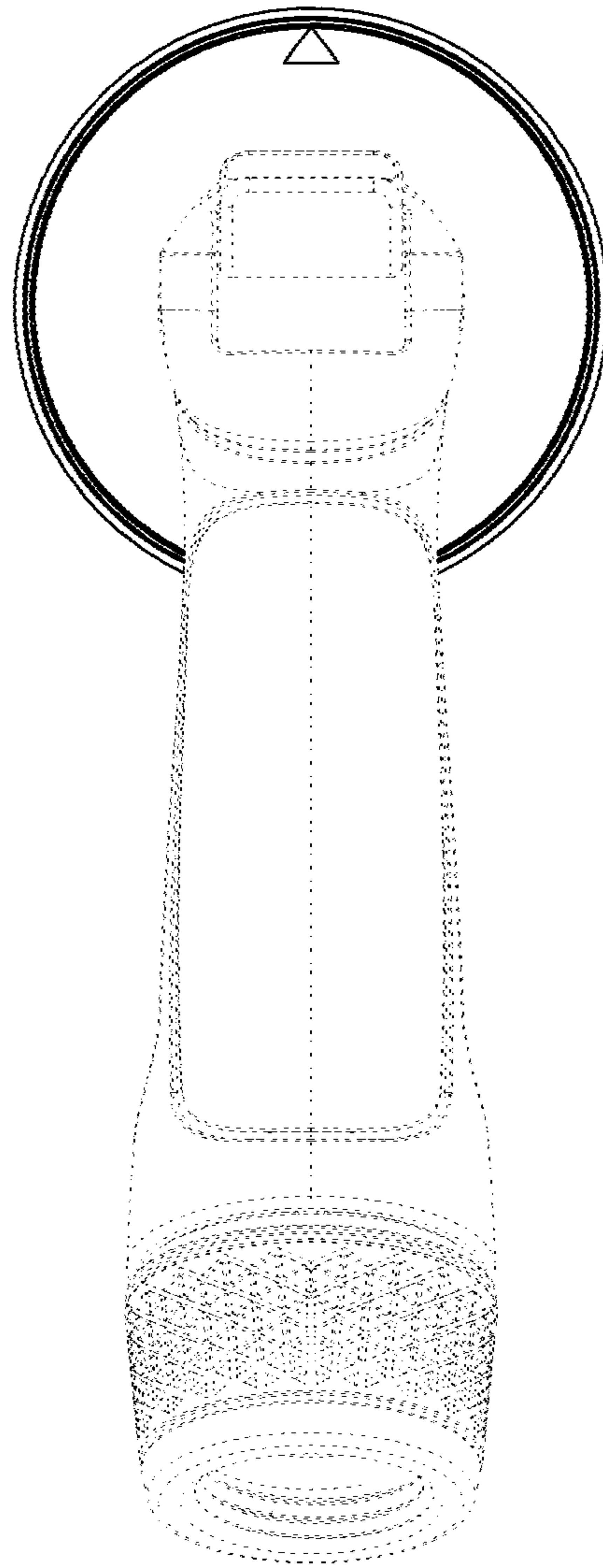


FIG. 3



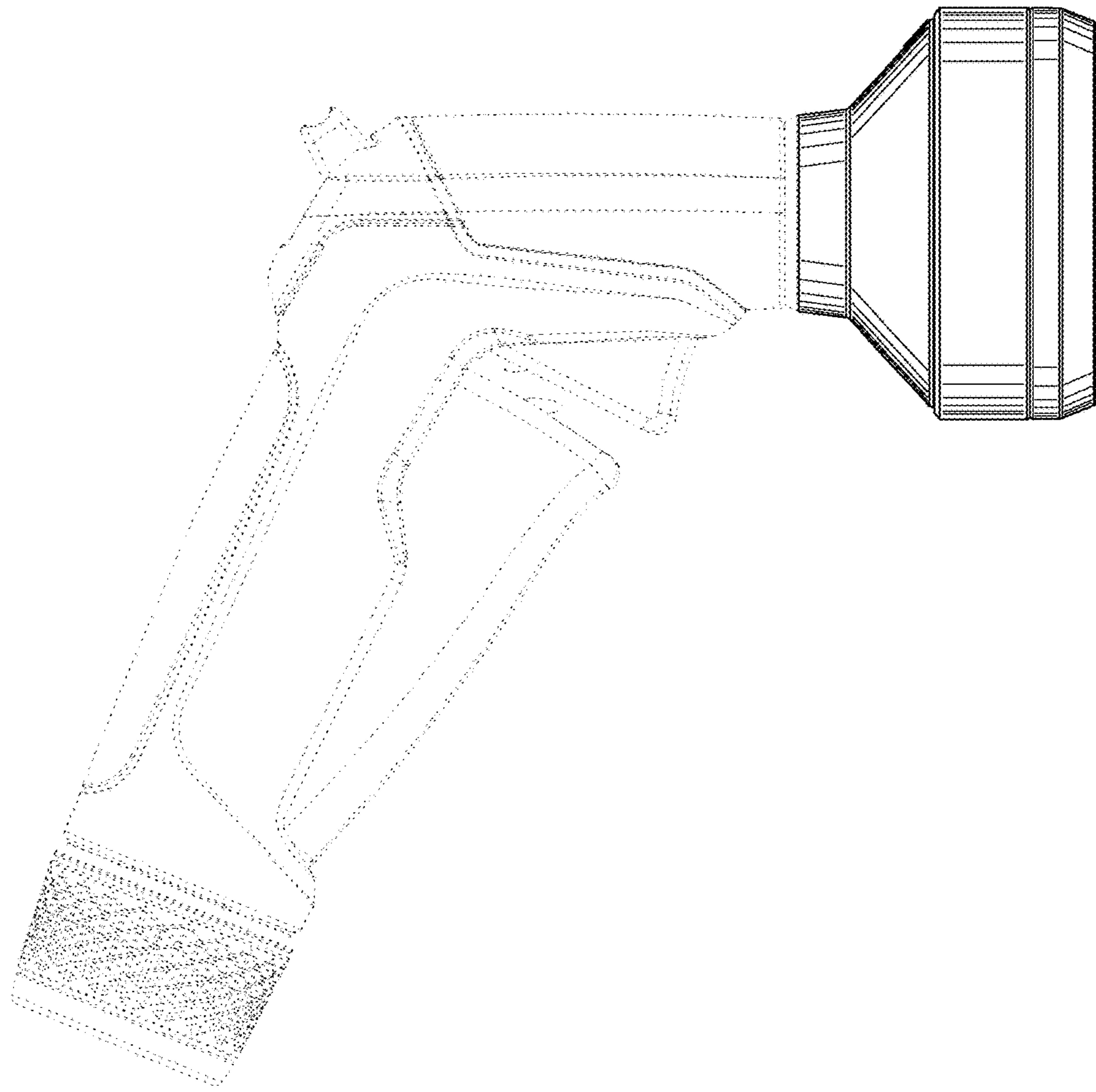


FIG. 4

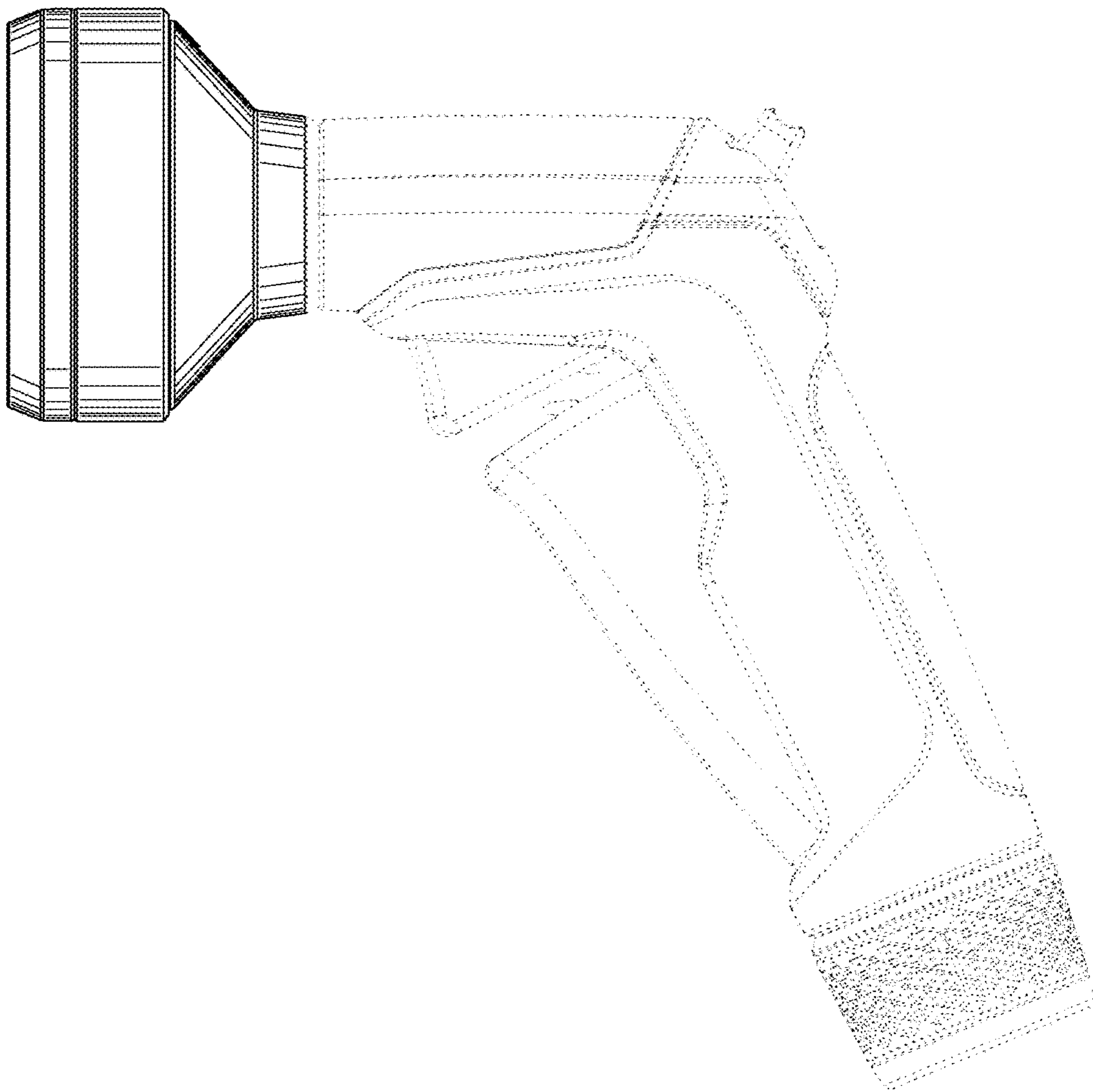


FIG. 5

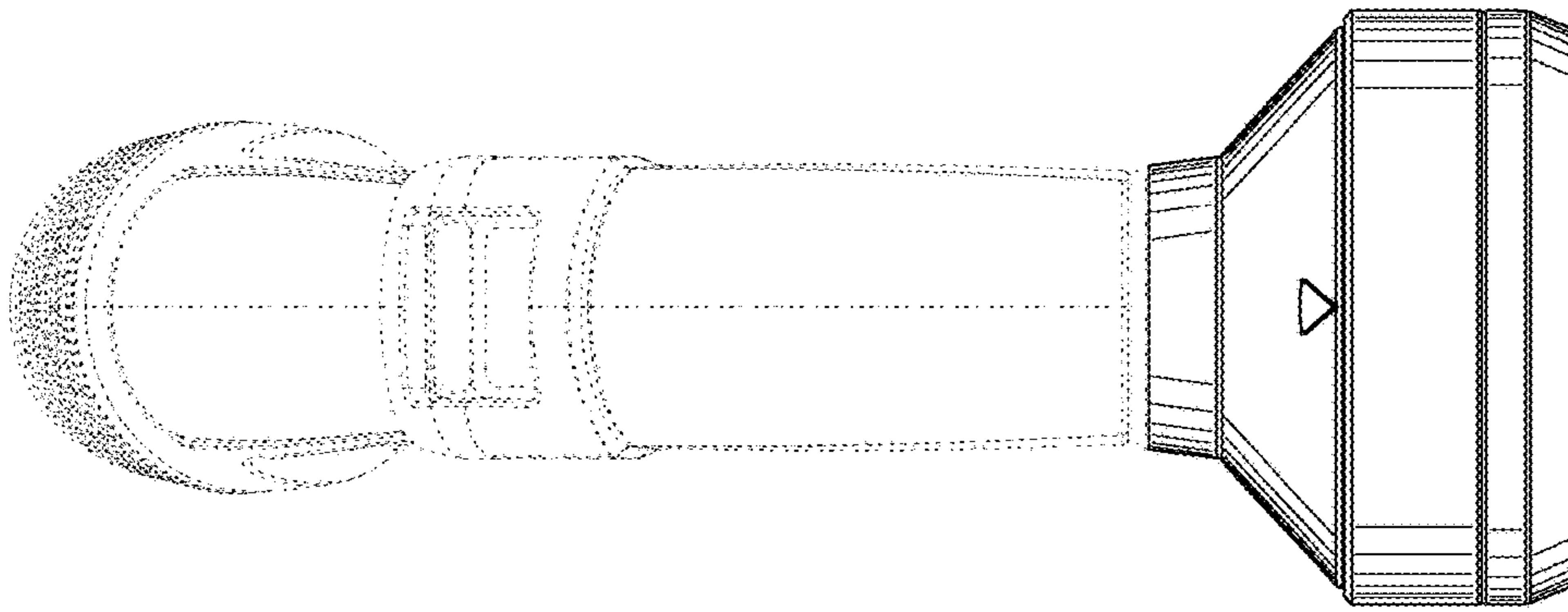


FIG. 7

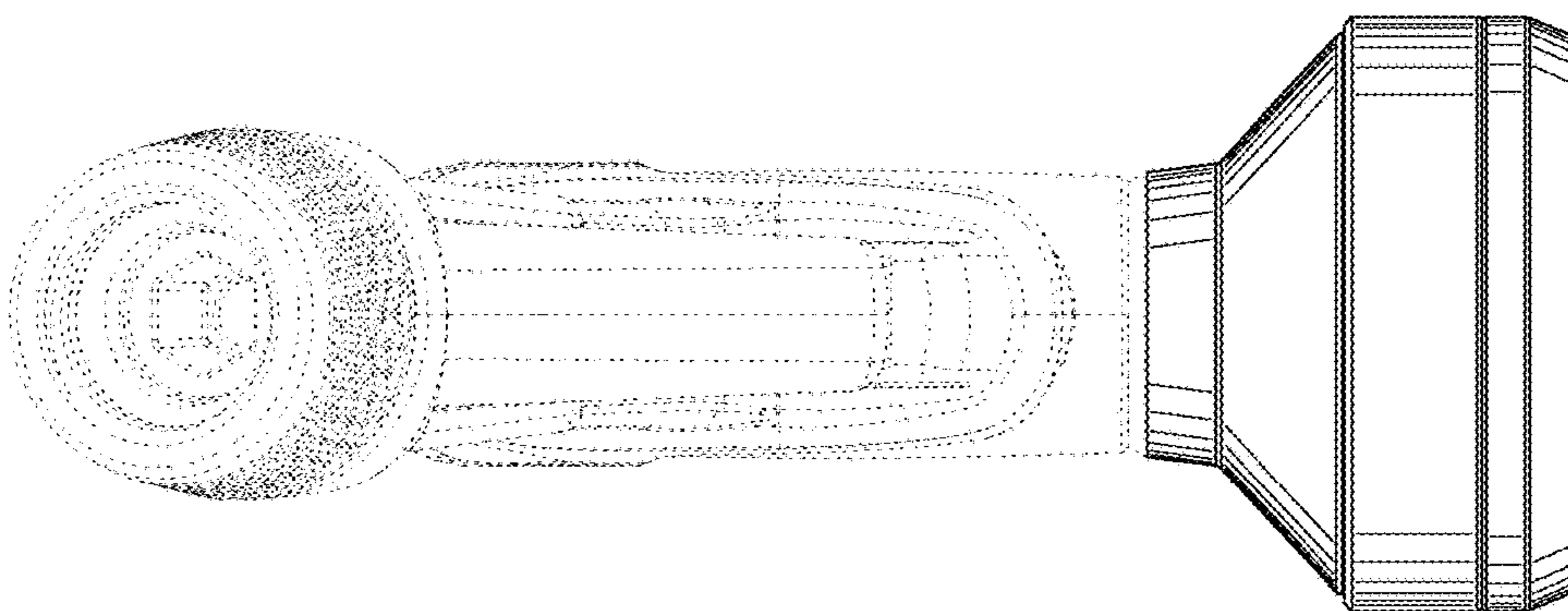


FIG. 6