



US00D824483S

(12) **United States Design Patent** (10) **Patent No.:** **US D824,483 S**
Byrd (45) **Date of Patent:** **** Jul. 31, 2018**

(54) **FISHING ROD RACK**
(71) Applicant: **Donald Byrd**, Shingle Springs, CA (US)
(72) Inventor: **Donald Byrd**, Shingle Springs, CA (US)
(**) Term: **15 Years**
(21) Appl. No.: **29/621,961**
(22) Filed: **Oct. 12, 2017**
(51) **LOC (11) Cl.** **22-05**
(52) **U.S. Cl.**
USPC **D22/147**
(58) **Field of Classification Search**
USPC D6/552, 553, 567, 572; D8/380; D22/147, 148, 109; D25/68; 43/21, 43/21.2; 211/13.1, 60.1, 64, 70.2, 70.6, 211/70.8, 65, 68, 69, 69.8, 89, 94; 248/512, 520, 538, 316.7
CPC A01K 97/10; A01K 97/12; A01K 97/125; A01K 99/00; A01K 97/08; A47F 7/0021; A47F 7/0035; A47B 81/005; Y10T 70/5009; Y10S 224/922
See application file for complete search history.

(56) **References Cited**
U.S. PATENT DOCUMENTS
3,186,666 A * 6/1965 Williams A01K 97/10 248/519
3,385,544 A 5/1968 Barnett
3,546,805 A 12/1970 Schaefer
3,623,766 A * 11/1971 Funk A01K 97/10 297/188.01
3,701,504 A * 10/1972 Woods A01K 97/10 248/464
3,780,466 A 12/1973 Hadnot
4,763,435 A * 8/1988 Deering A01K 97/10 43/21.2
D299,199 S * 1/1989 Rogowski D22/107

5,033,223 A * 7/1991 Minter A01K 97/10 224/486
5,131,179 A 7/1992 McEwen
5,377,849 A * 1/1995 Martin A47F 8/02 211/182
5,557,877 A 9/1996 Colson
5,571,227 A 11/1996 Pisarek
D381,853 S * 8/1997 Funcich D6/552
5,685,107 A 11/1997 Sweet
D394,291 S * 5/1998 Beltran D6/552
5,803,519 A * 9/1998 Daigle A01K 97/08 211/70.8
6,196,513 B1 3/2001 Edwards et al.
6,289,627 B1 9/2001 Gibbs et al.
(Continued)

OTHER PUBLICATIONS

Homemade rod pods. Forum [online]. Carp Anglers Group. [Retrieved on May 17, 2017]. <URL:http://www.carpanglersgroup.com/forum/index.php?/topic/33849-homemade-rod-pods/>

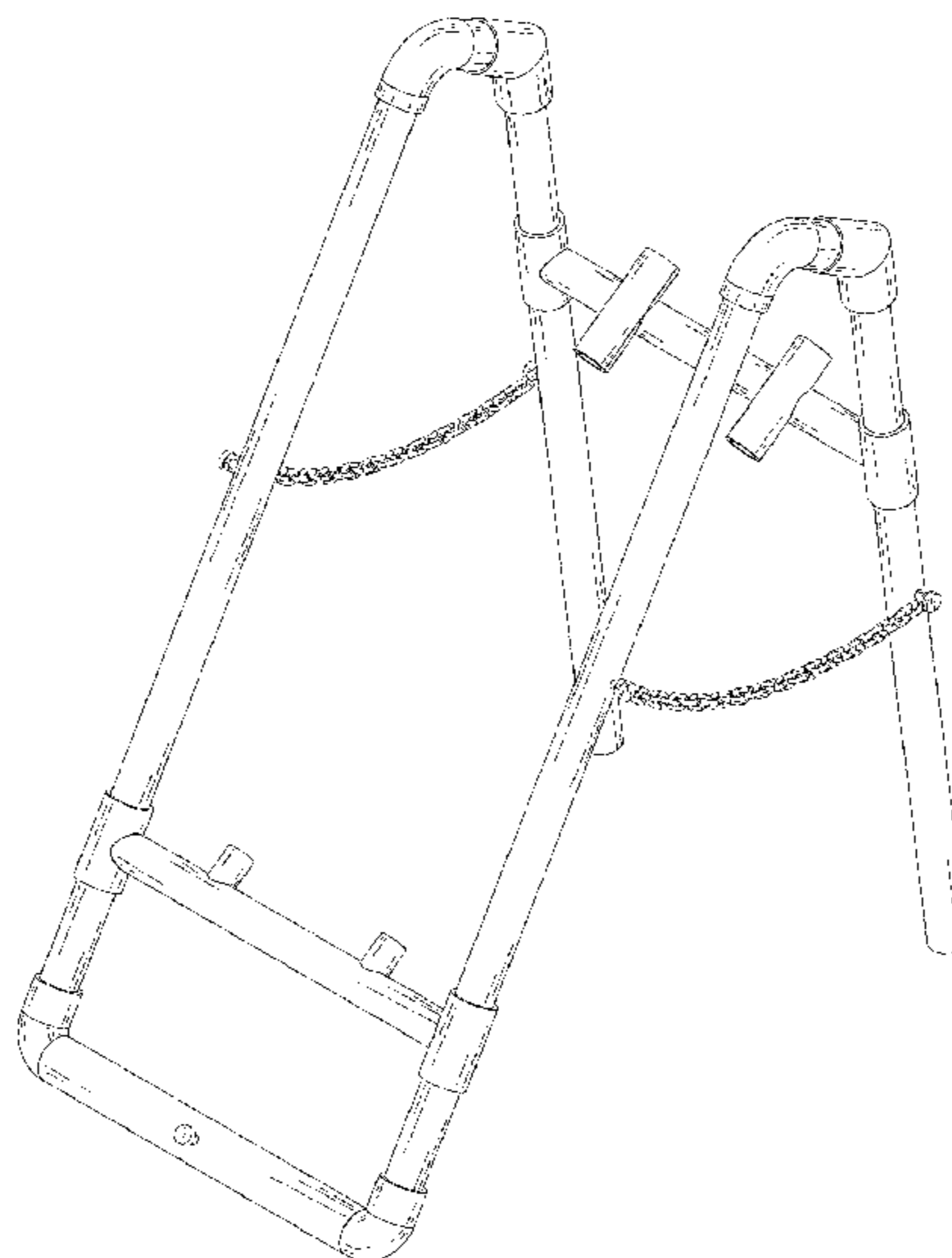
Primary Examiner — David Muller
Assistant Examiner — Nathan Johnston
(74) *Attorney, Agent, or Firm* — Cramer Patent & Design, PLLC; Aaron R. Cramer

(57) **CLAIM**
The ornamental design for a fishing rod rack, as shown and described.

DESCRIPTION

FIG. 1 is a perspective top front left view of a fishing rod rack, showing my new design;
FIG. 2 is a perspective top rear right view thereof;
FIG. 3 is a front elevation view thereof;
FIG. 4 is a rear elevation view thereof;
FIG. 5 is a right elevation view, with the left elevation view being a mirror image thereof;
FIG. 6 is a top plan view thereof; and,
FIG. 7 is a bottom plan view thereof.

1 Claim, 7 Drawing Sheets



(56)

References Cited

U.S. PATENT DOCUMENTS

6,338,465	B1	1/2002	Stoner	
6,962,018	B1	11/2005	King	
D535,351	S *	1/2007	Glover	D22/147
7,159,354	B1	1/2007	White	
7,331,139	B2	2/2008	Moses	
7,937,883	B2	5/2011	Roemer et al.	
2005/0102882	A1	5/2005	Williams	
2005/0178041	A1	8/2005	Zaffiro	
2012/0005941	A1	1/2012	Lan	
2013/0333268	A1 *	12/2013	Henry, Jr.	A01K 97/10 43/4.5
2015/0113854	A1 *	4/2015	Coker	A01K 97/06 43/54.1

* cited by examiner

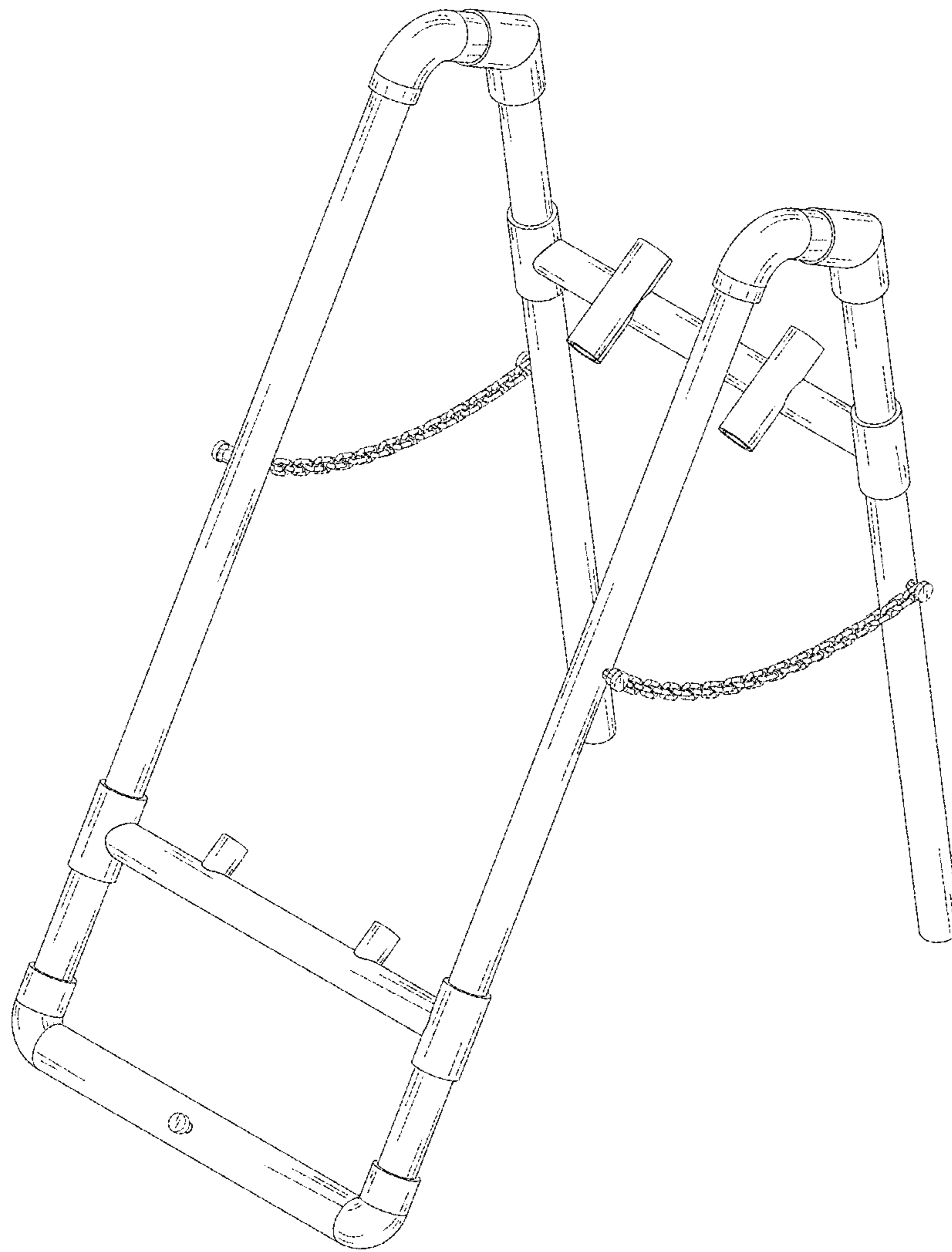


FIG. 1

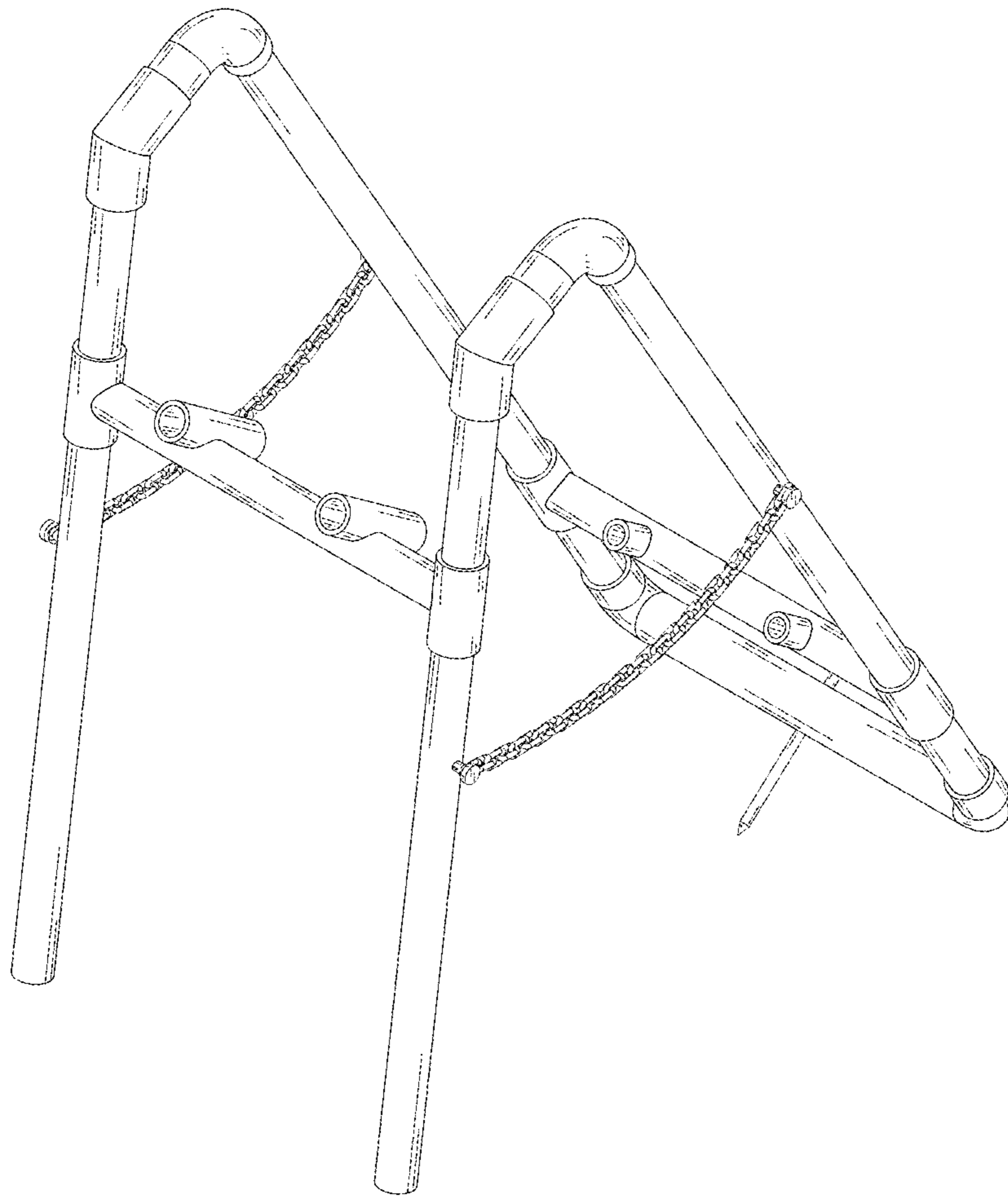


FIG. 2

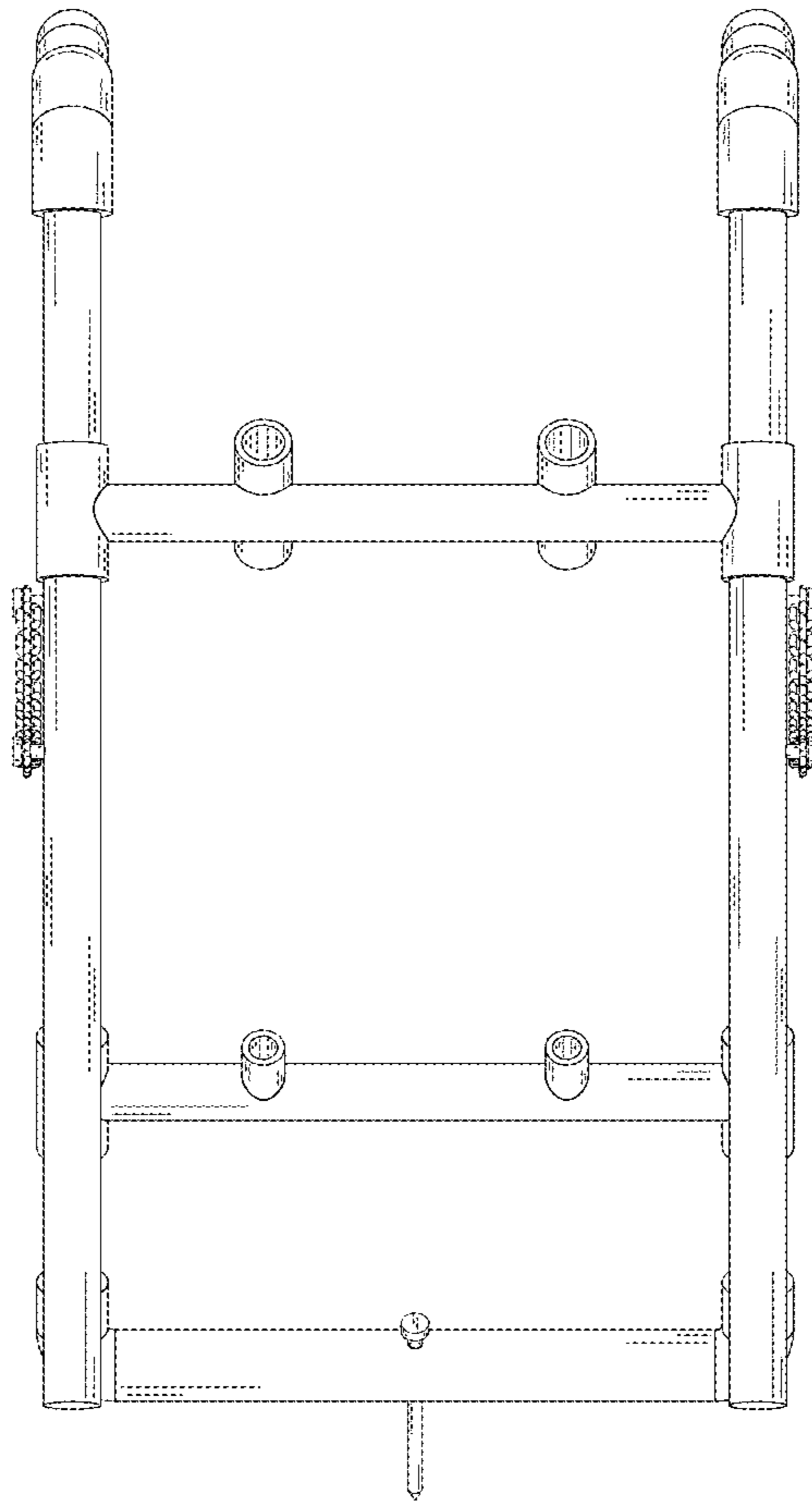


FIG. 3

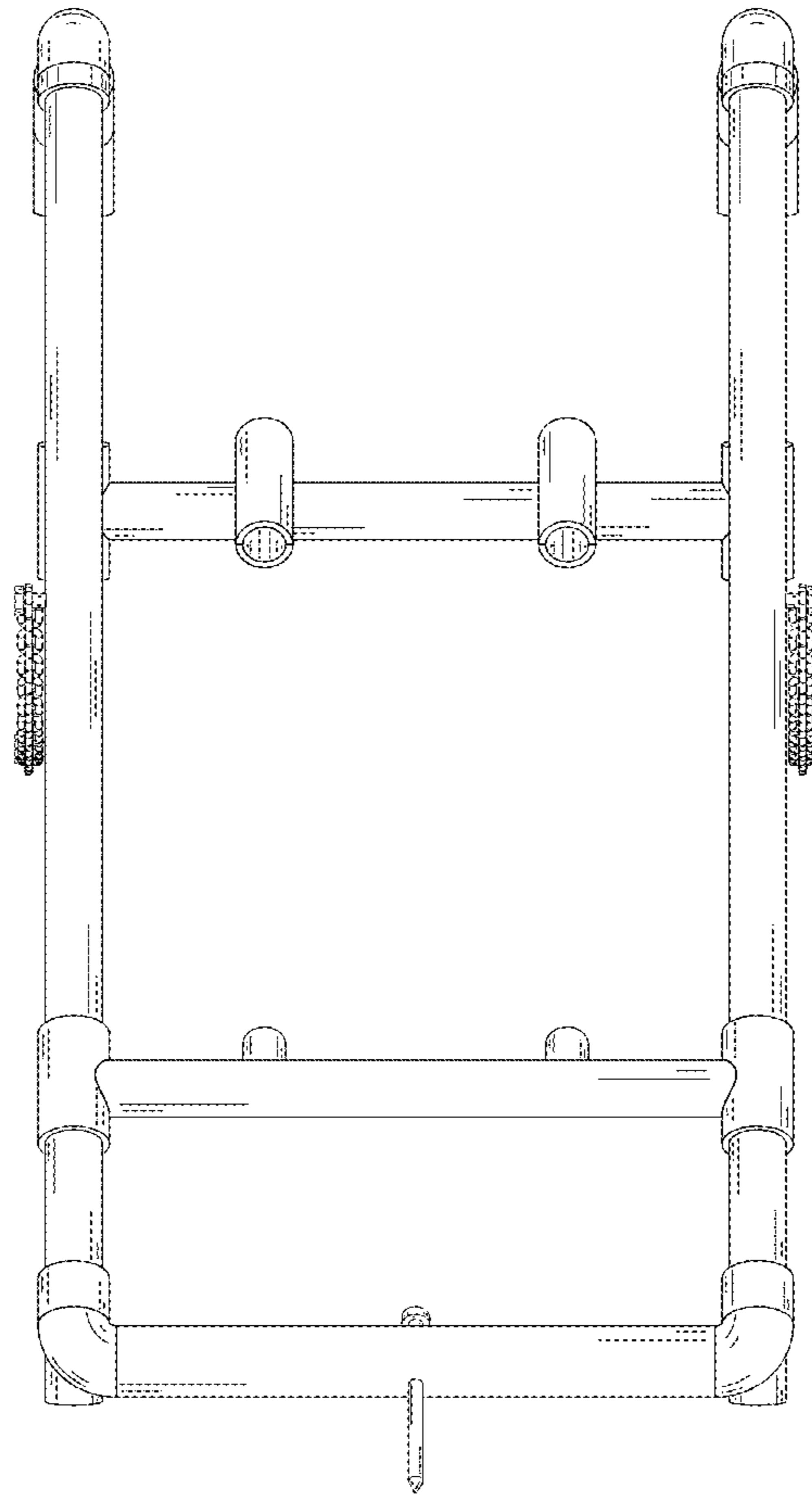


FIG. 4

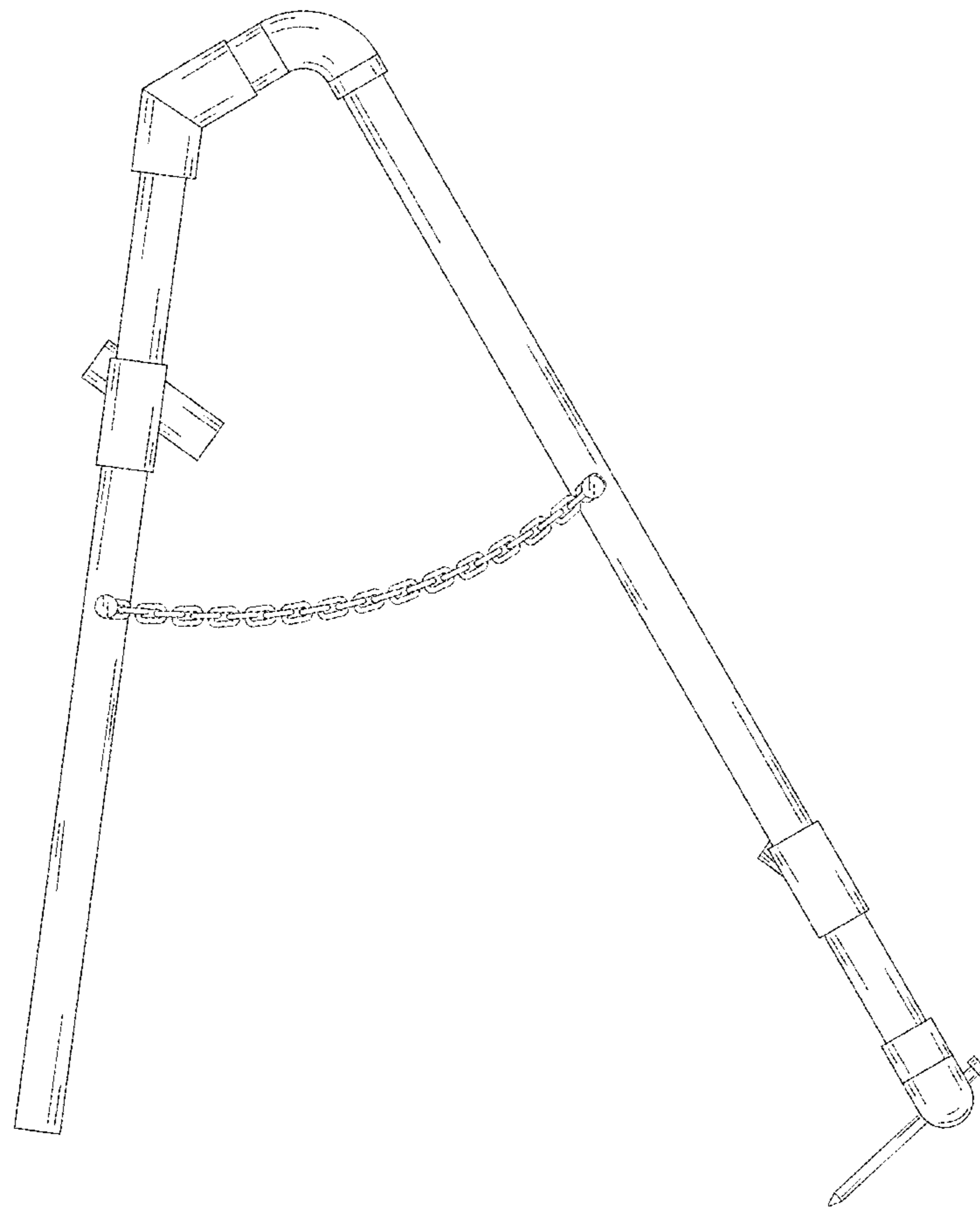


FIG. 5

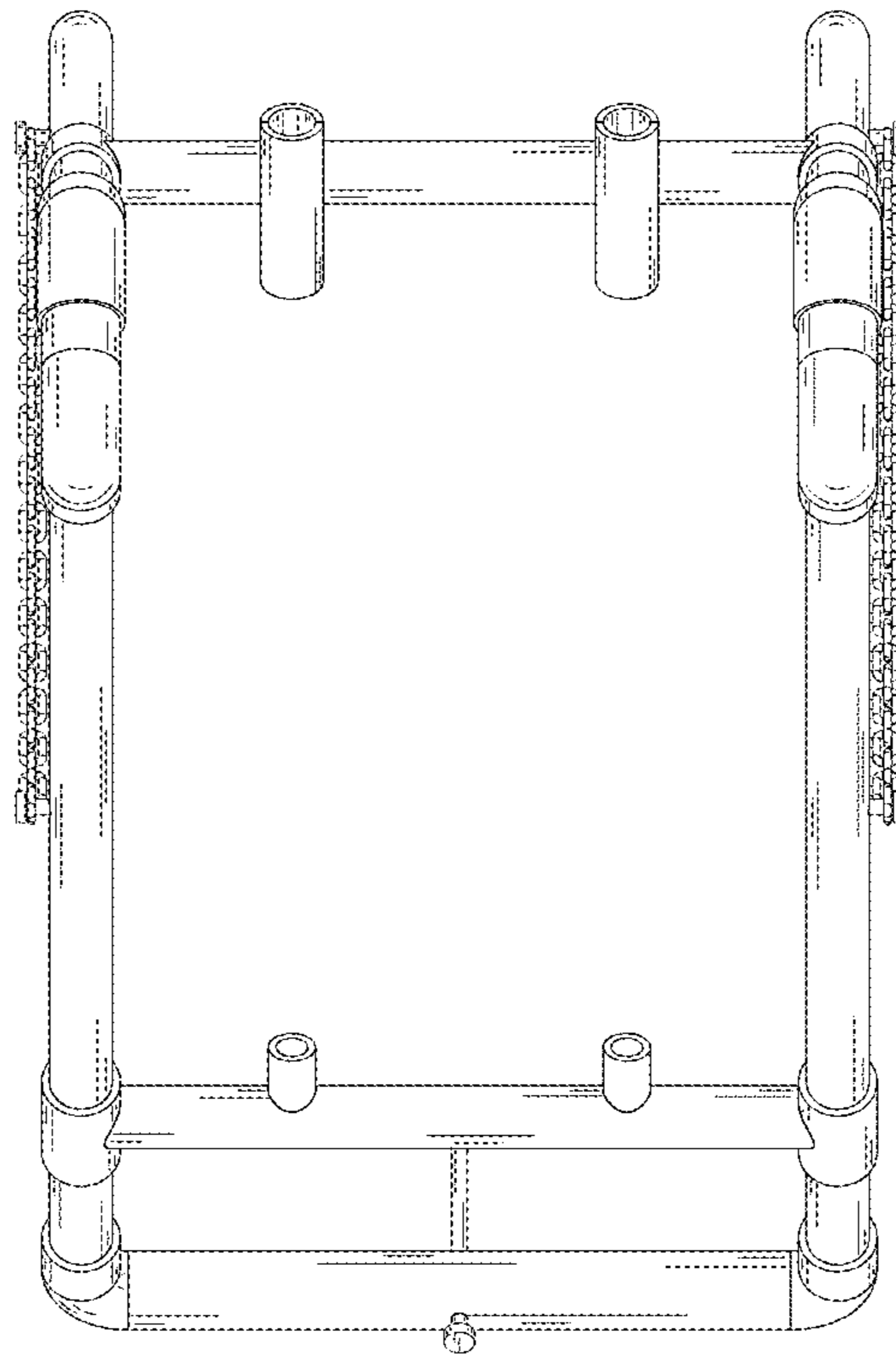


FIG. 6

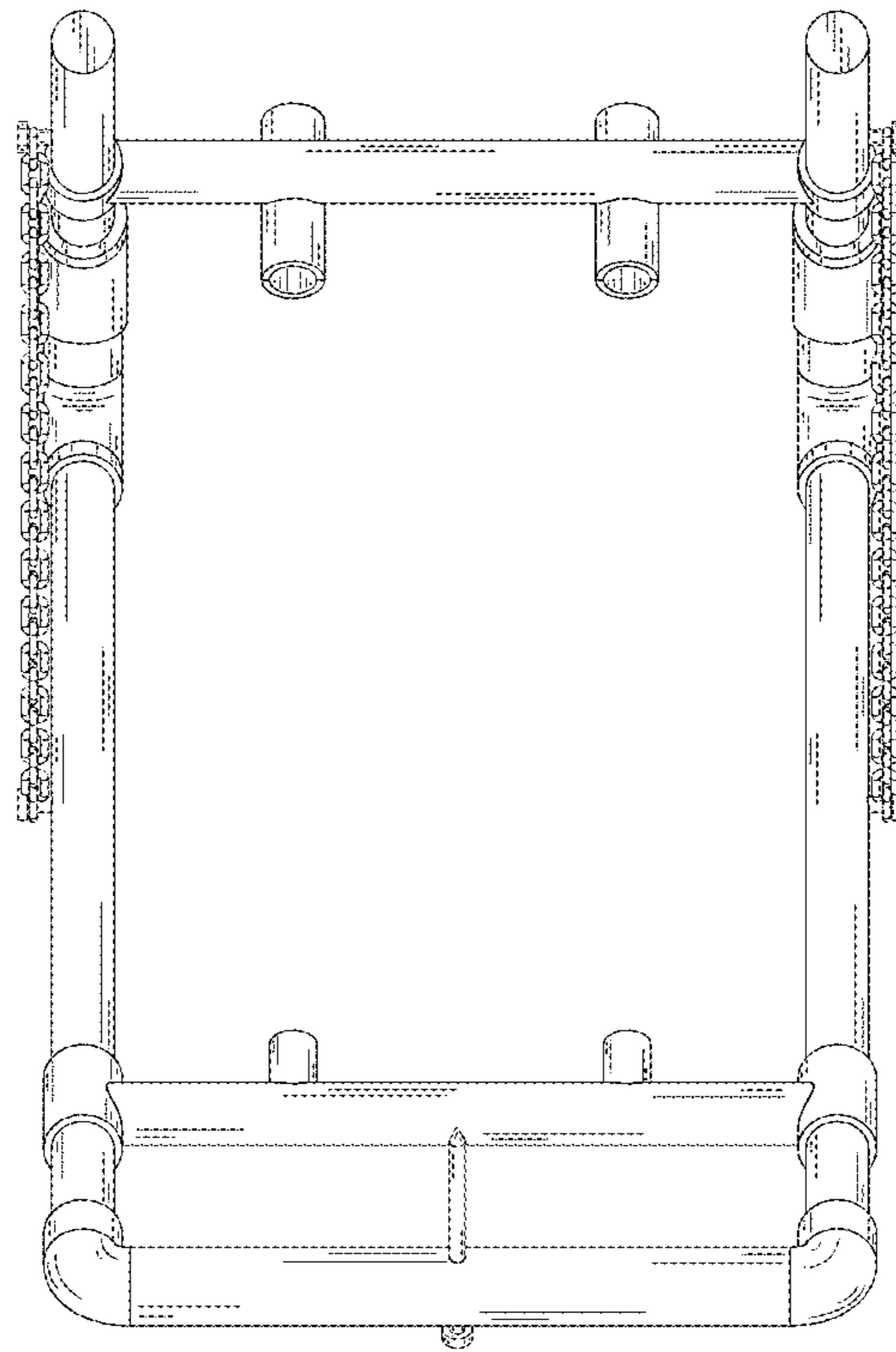


FIG. 7