



US00D824479S

(12) **United States Design Patent**  
**Jen**

(10) **Patent No.:** **US D824,479 S**  
(45) **Date of Patent:** **\*\* Jul. 31, 2018**

- (54) **LUG FOR A MUZZLE DEVICE**
- (71) Applicant: **Yi Hwei Jen**, Irvine, CA (US)
- (72) Inventor: **Yi Hwei Jen**, Irvine, CA (US)
- (\*\*) Term: **15 Years**
- (21) Appl. No.: **29/595,427**
- (22) Filed: **Feb. 28, 2017**
- (51) **LOC (11) Cl.** ..... **22-01**
- (52) **U.S. Cl.**  
USPC ..... **D22/108**
- (58) **Field of Classification Search**  
USPC ..... D22/108–110, 199, 100, 101, 103, 104;  
D21/572–575; 33/241, 277, 362, 110,  
33/105 R; 42/51, 71.01, 75.01, 75.02,  
42/76.02–76.1, 79, 90, 94, 1.06, 107, 134,  
42/136, 139, 125, 72, 111; 89/40.06,  
89/41.19, 37.04, 33.04, 191.01, 200–204,  
89/14.1–14.8; 124/92, 72, 74, 66, 67;  
102/450, 451, 452, 532, 461; 181/223;  
D25/119–125; D26/38; D14/418;  
D7/672; D2/958; D8/397  
CPC ..... F41A 13/00; F41A 35/04; F41A 21/00;  
F41A 21/32; F41A 21/325; F41A 21/34;  
F41A 21/36; F41A 21/38; F41A 21/40;  
F41A 21/42; F41B 5/00; F41C 27/00  
See application file for complete search history.

(56) **References Cited**

**U.S. PATENT DOCUMENTS**

- 3,164,060 A \* 1/1965 Dahl ..... F41A 21/30  
89/14.2
- D273,561 S \* 4/1984 Ozaki ..... D8/397
- D311,131 S \* 10/1990 Saito ..... D8/397
- 5,698,810 A \* 12/1997 Rose ..... F41A 21/32  
42/97
- 5,890,857 A \* 4/1999 Herrera ..... F16B 31/028  
411/11
- D451,375 S \* 12/2001 Shinjo ..... D8/397

- D451,791 S \* 12/2001 Shinjo ..... D8/397
  - D452,140 S \* 12/2001 Shinjo ..... D8/397
  - 6,343,430 B1 \* 2/2002 Martel ..... F41C 9/08  
42/51
  - D524,149 S \* 7/2006 Kim ..... D8/397
  - 7,073,283 B2 \* 7/2006 Watley ..... F41C 9/08  
42/51
  - 7,112,025 B2 \* 9/2006 Ward ..... B21K 1/702  
411/180
  - D554,237 S \* 10/2007 Lewis ..... D23/259
  - D556,007 S \* 11/2007 Hung ..... D8/107
- (Continued)

**OTHER PUBLICATIONS**

Griffin Taper Mount—Direct Thread Adapter, SilencerShop.com, [online], [site visited Apr. 11, 2018]. <URL: <https://www.silencershop.com/griffin-taper-mount-direct-thread-adapter.html>> (Year: 2018).\*

(Continued)

*Primary Examiner* — T. Chase Nelson  
*Assistant Examiner* — Jonathan J. Han

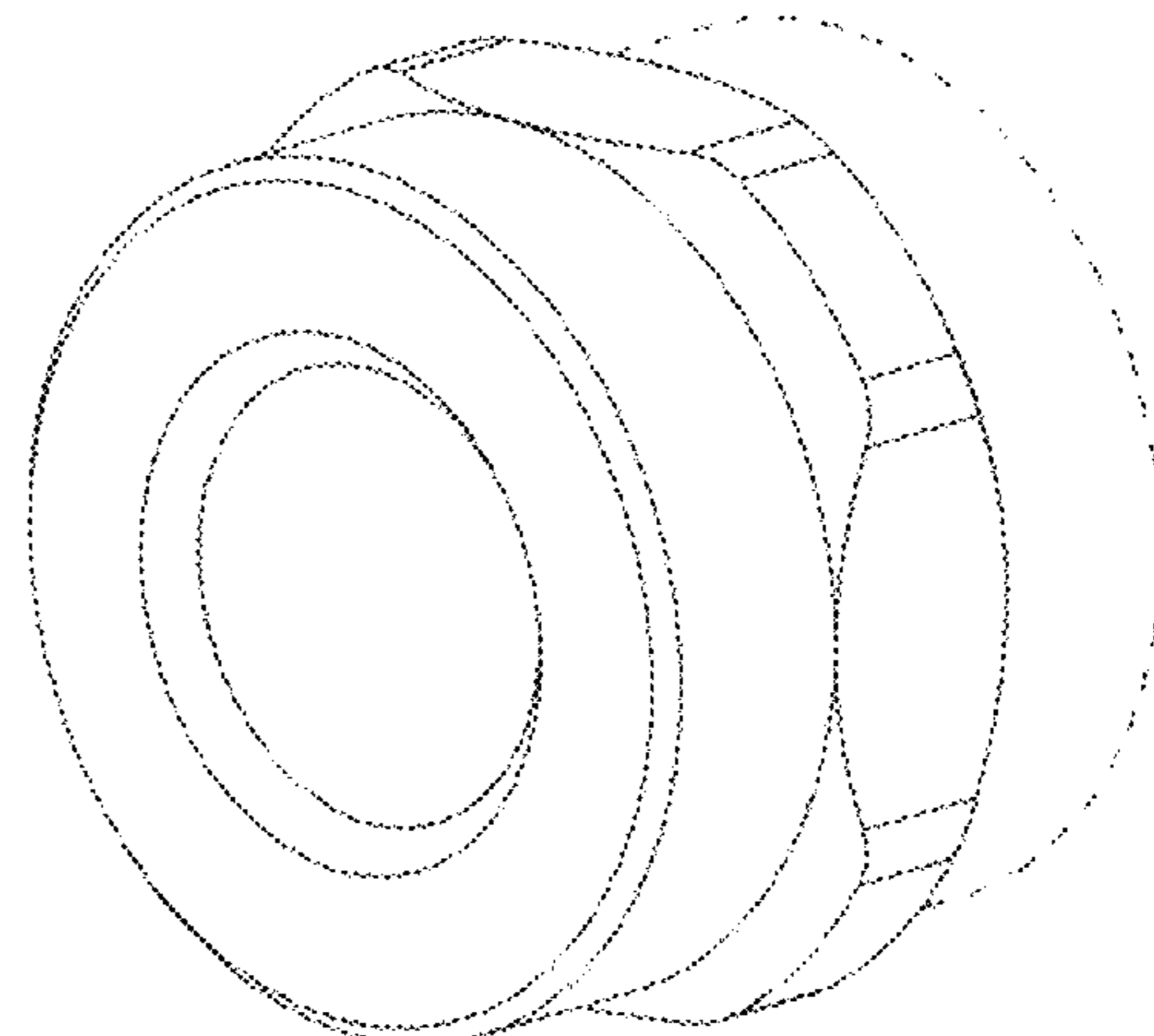
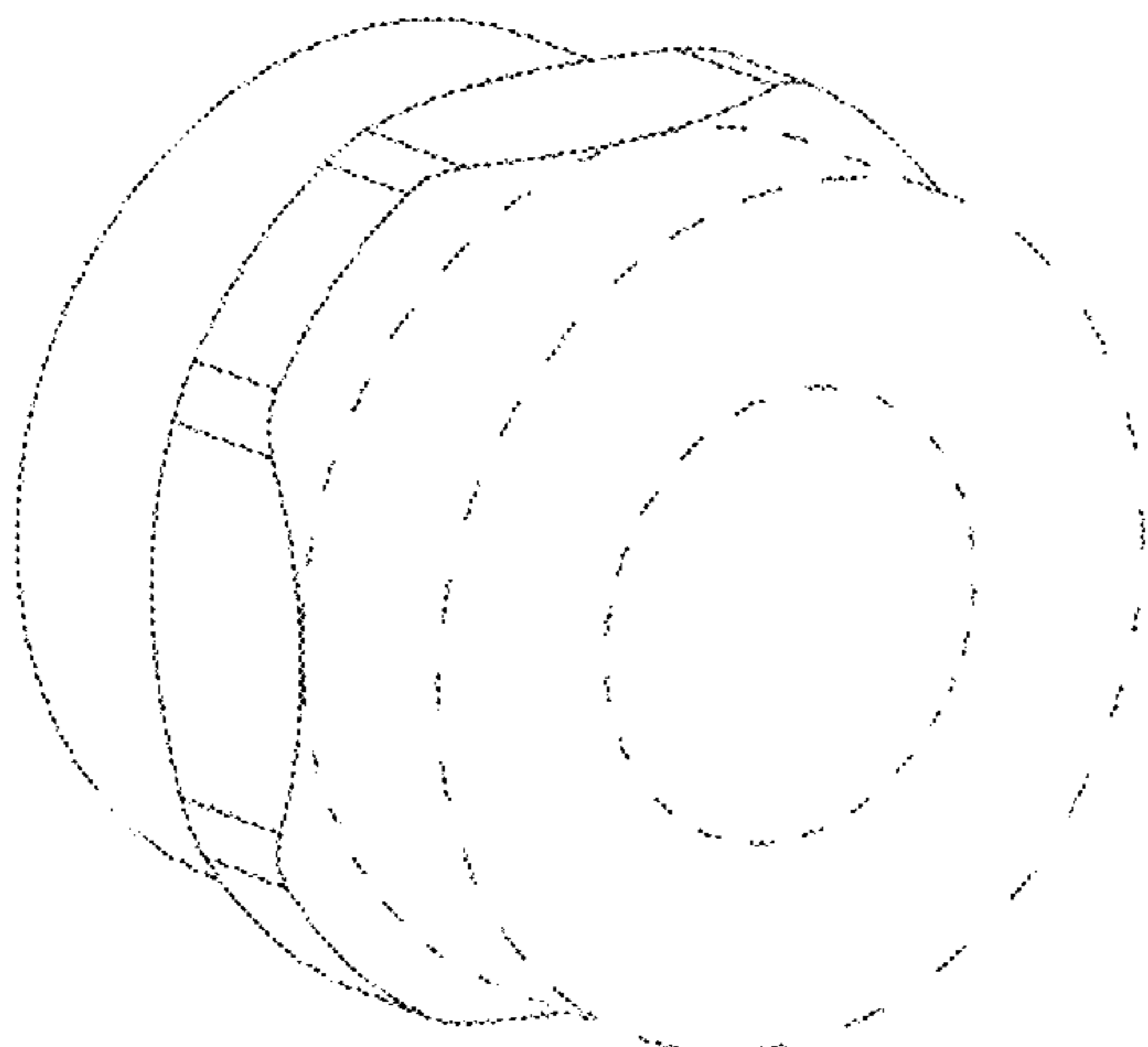
(57) **CLAIM**

The ornamental design for a lug for a muzzle device, as shown and described.

**DESCRIPTION**

FIG. 1 is a front perspective view of the lug for a muzzle device;  
FIG. 2 is a rear perspective view thereof;  
FIG. 3 is a front elevation view of thereof;  
FIG. 4 is a rear elevation view of thereof;  
FIG. 5 is a left side elevational view thereof, the right side being a mirror image; and,  
FIG. 6 is a top plan view thereof, the bottom plan view being a mirror image.  
The broken lines are used to illustrate unclaimed portions and form no part of the claimed design.

**1 Claim, 3 Drawing Sheets**



(56)

References Cited

U.S. PATENT DOCUMENTS

D582,763 S \* 12/2008 Riedel ..... D8/397  
 D592,493 S \* 5/2009 Wu ..... D8/397  
 7,568,874 B2 \* 8/2009 Riedel ..... F16B 23/0061  
 411/435  
 D609,999 S \* 2/2010 Andersson ..... D8/399  
 D614,247 S \* 4/2010 Clausen ..... D21/488  
 D627,216 S \* 11/2010 Fulginiti ..... D8/499  
 D631,336 S \* 1/2011 Toumei ..... D8/397  
 8,021,091 B2 \* 9/2011 Bentrim ..... F16B 37/068  
 411/180  
 D649,430 S \* 11/2011 Spragg ..... D8/323  
 8,142,125 B2 \* 3/2012 Vrana ..... F16B 37/062  
 411/181  
 D706,126 S \* 6/2014 Orow ..... D8/397  
 D709,369 S \* 7/2014 van de Klippe ..... D9/440  
 D713,715 S \* 9/2014 Kury ..... D8/397

8,931,160 B2 \* 1/2015 Shinjo ..... B23P 19/062  
 29/432.1  
 D725,461 S \* 3/2015 Kopp ..... D8/397  
 D796,947 S \* 9/2017 Hsu ..... D8/397  
 2008/0003893 A1 \* 1/2008 Frenken ..... H01R 4/30  
 439/813

OTHER PUBLICATIONS

Griffin Armament 3 Lug Barrel Adapter—13.5×1LH, RainierArms.com, [online], [site visited Apr. 11, 2018]. <URL: [https:// www.rainierarms.com/griffin-armament-3-lug-barrel-adapter-13-5x1lh/](https://www.rainierarms.com/griffin-armament-3-lug-barrel-adapter-13-5x1lh/)> (Year: 2018).\*

3-Lug 9mm and 45cal Slim Mounts from SilencerCo, TheFirearmBlog.com, [online], [site visited Apr. 11, 2018]. <URL: <http://www.thefirearmblog.com/blog/2017/07/27/silencerco-3-lug/>> (Year: 2018).\*

\* cited by examiner

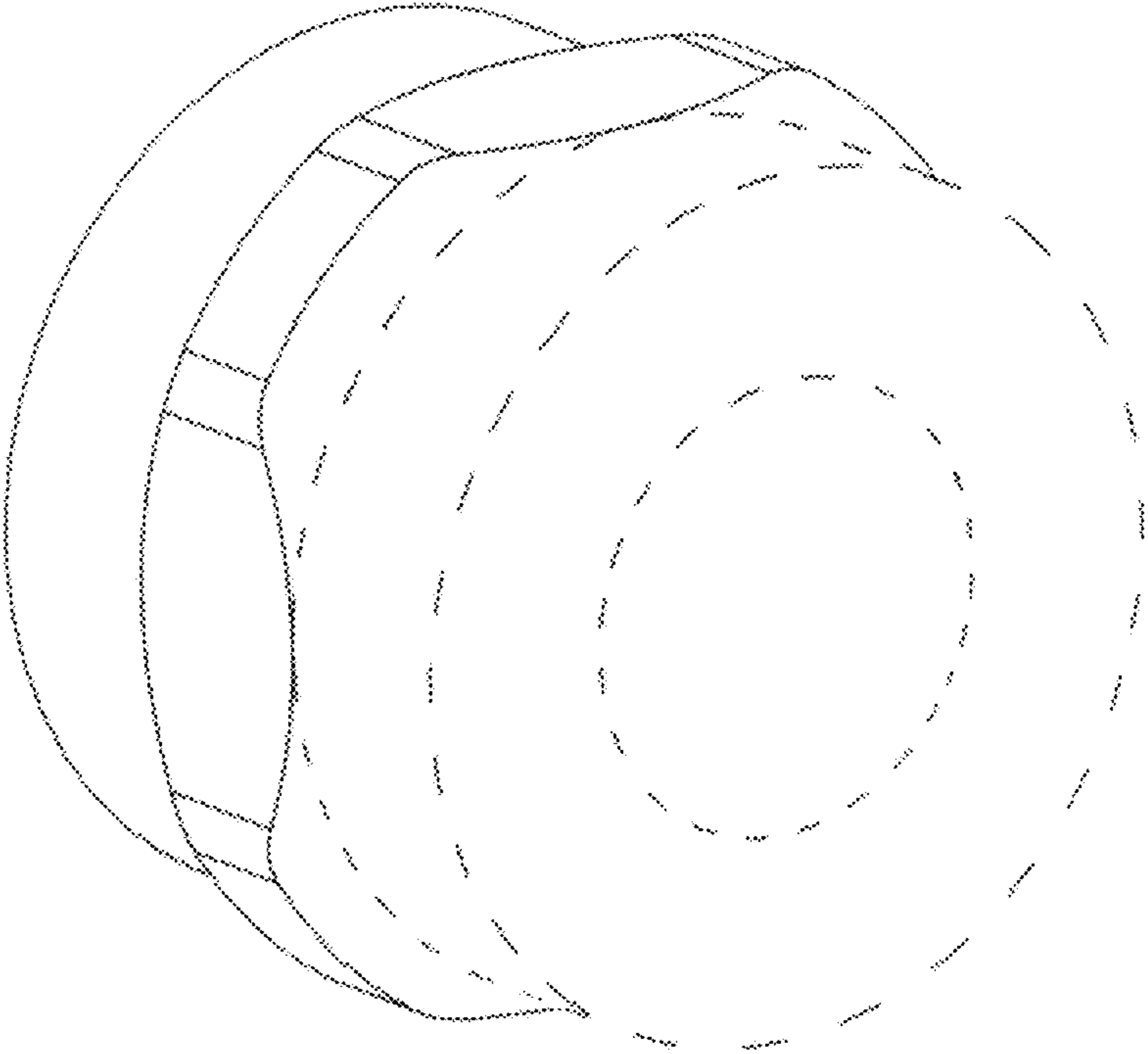


FIG. 1

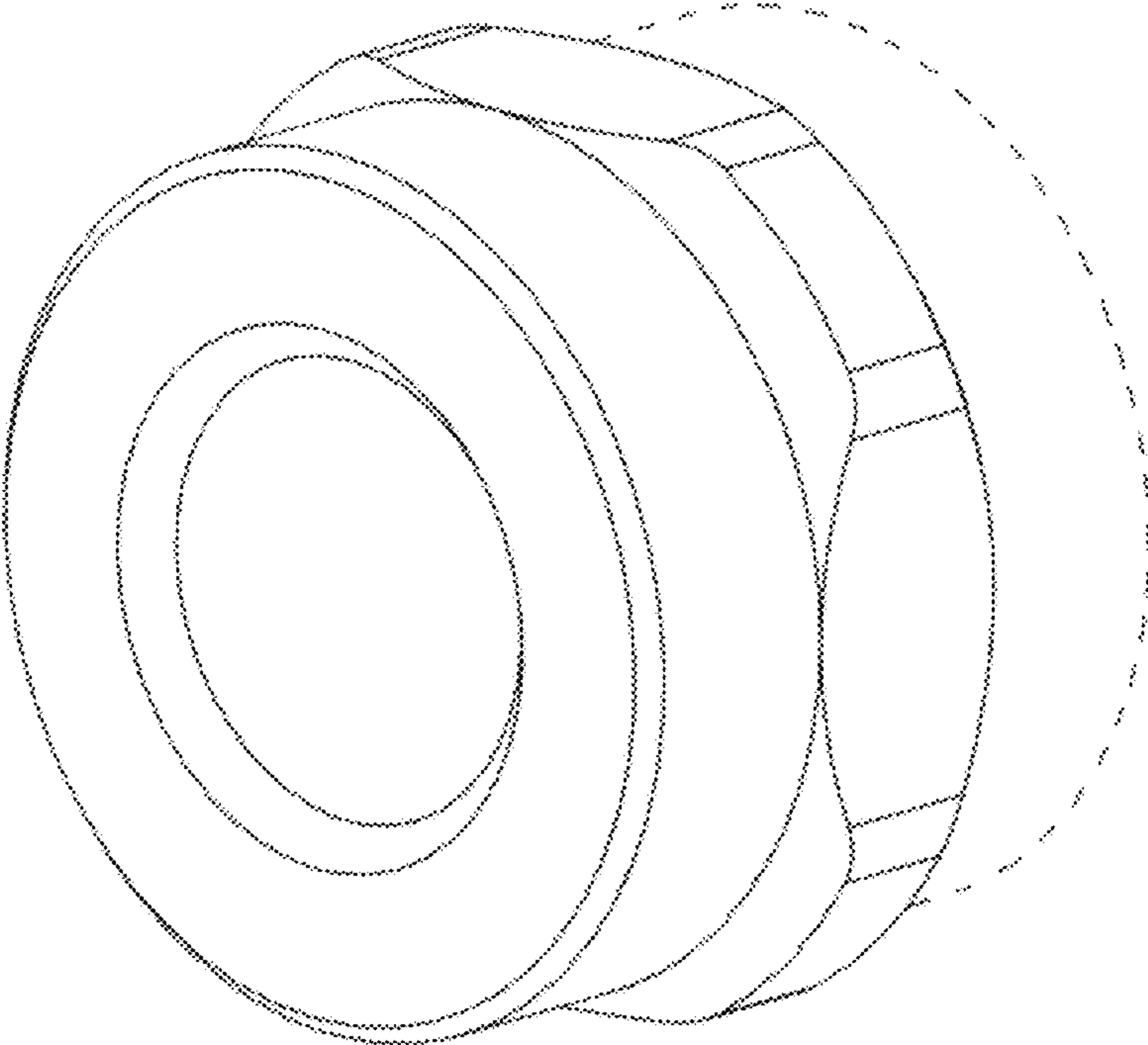


FIG. 2

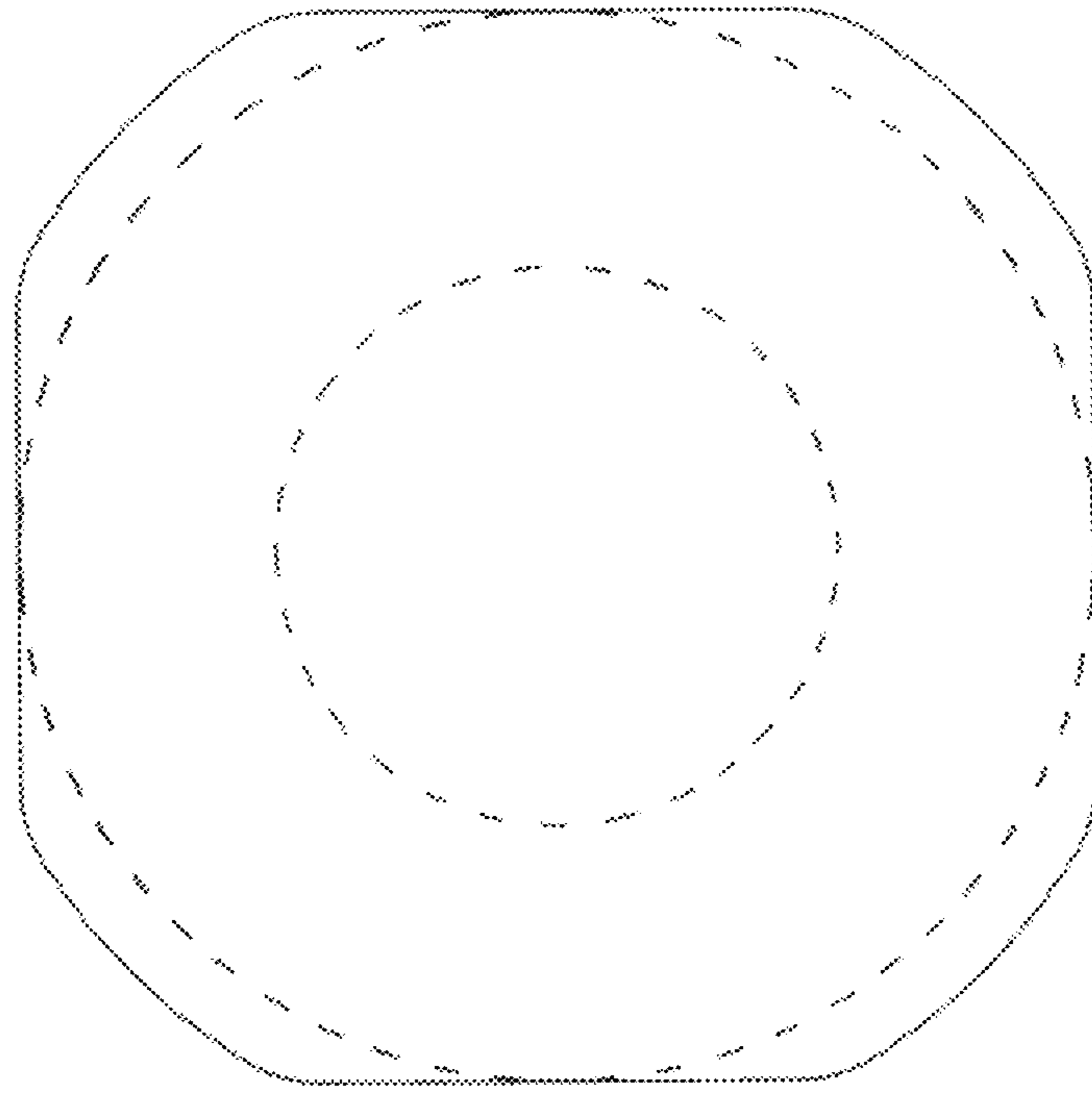


FIG. 3

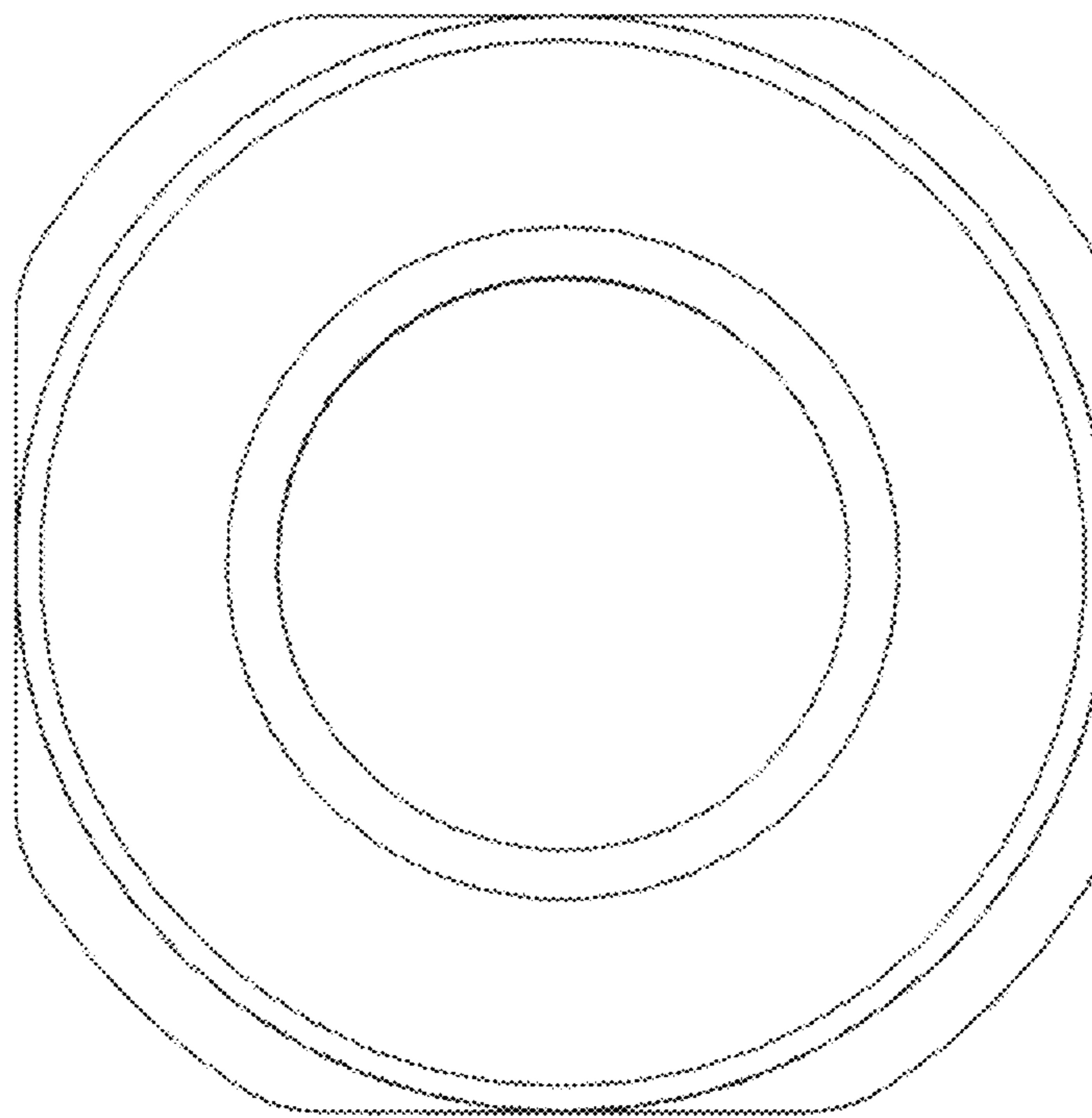


FIG. 4

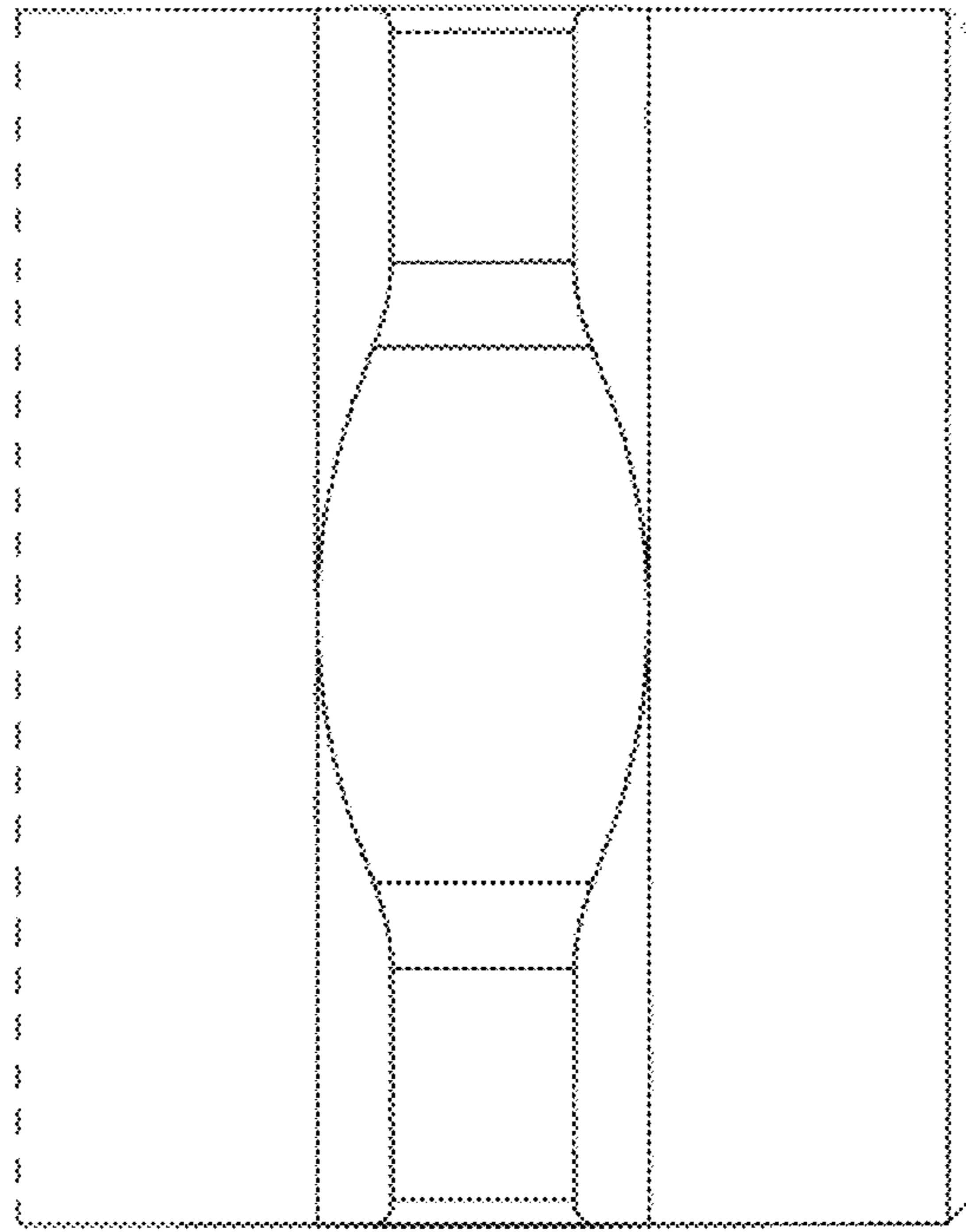


FIG. 5

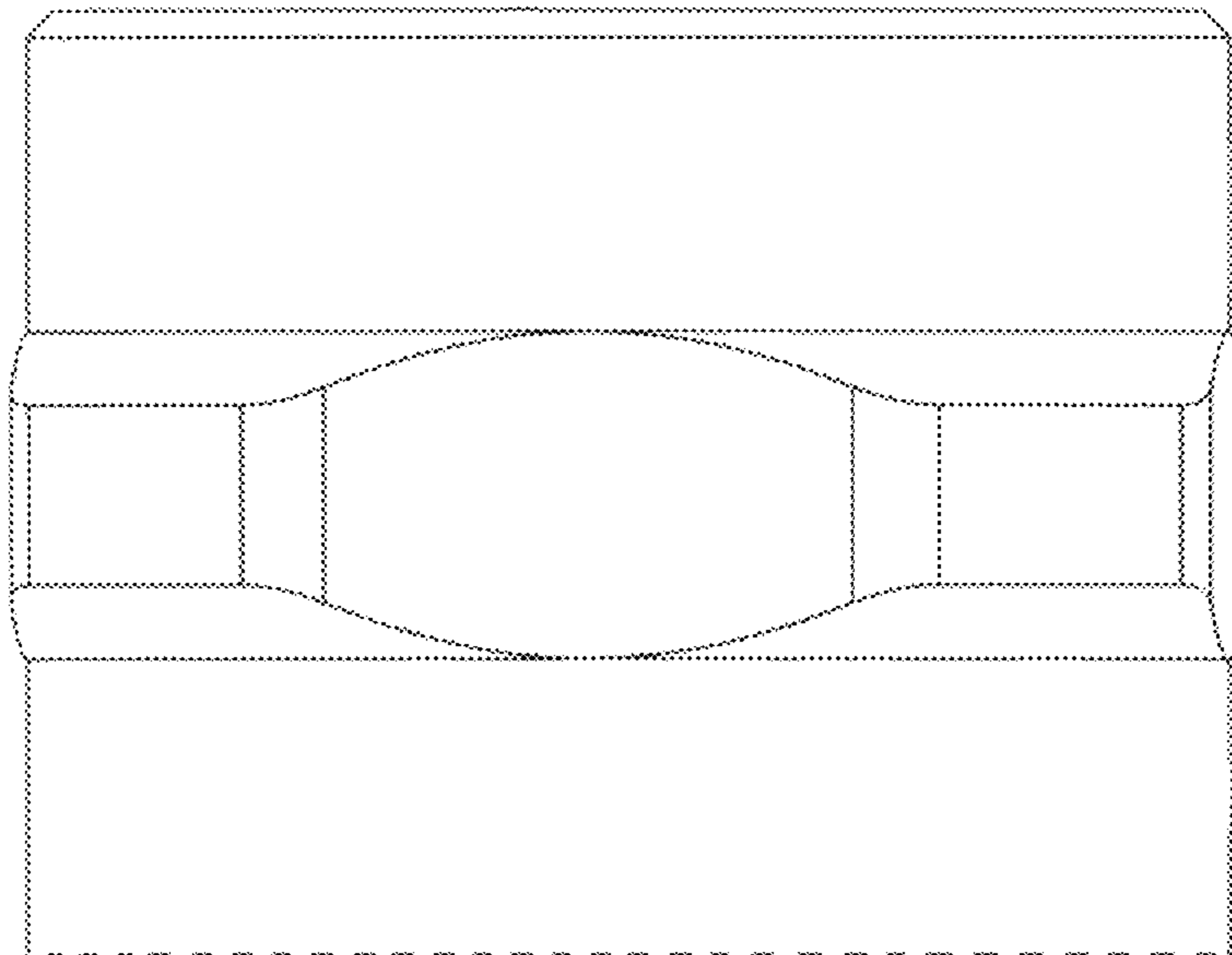


FIG. 6