



US00D824478S

(12) **United States Design Patent**
Shelton et al.

(10) **Patent No.:** **US D824,478 S**

(45) **Date of Patent:** **** Jul. 31, 2018**

(54) **FIREARM SLIDE**

(71) Applicant: **AGENCY ARMS, LLC**, Camarillo, CA (US)

(72) Inventors: **Derek Hunter Shelton**, Claremore, OK (US); **Randy Paul Niswander**, Oxnard, CA (US); **Michael Lee Parks**, Canyon Country, CA (US)

(73) Assignee: **AGENCY ARMS, LLC**, Ventura, CA (US)

(**) Term: **15 Years**

(21) Appl. No.: **29/577,607**

(22) Filed: **Sep. 14, 2016**

(51) **LOC (11) Cl.** **22-01**

(52) **U.S. Cl.**
USPC **D22/108**

(58) **Field of Classification Search**
USPC D22/104, 108
CPC F41C 3/14; F41C 3/16; F41C 3/04
See application file for complete search history.

(56) **References Cited**

U.S. PATENT DOCUMENTS

D599,430 S * 9/2009 Siddle D22/108
D661,766 S * 6/2012 Siddle F41A 21/00
D22/103

D732,629 S * 6/2015 Wolf D22/108
D758,519 S * 6/2016 Toner D22/108
D777,871 S * 1/2017 Niswander D22/108
D777,872 S * 1/2017 Wolf D22/108
D780,280 S * 2/2017 Niswander D22/108
D784,479 S * 4/2017 Niswander D22/108
D800,243 S * 10/2017 Niswander D22/108
D803,341 S * 11/2017 Wolf D22/108

* cited by examiner

Primary Examiner — Michael A. Pratt

(74) *Attorney, Agent, or Firm* — Eversheds Sutherland (US) LLP

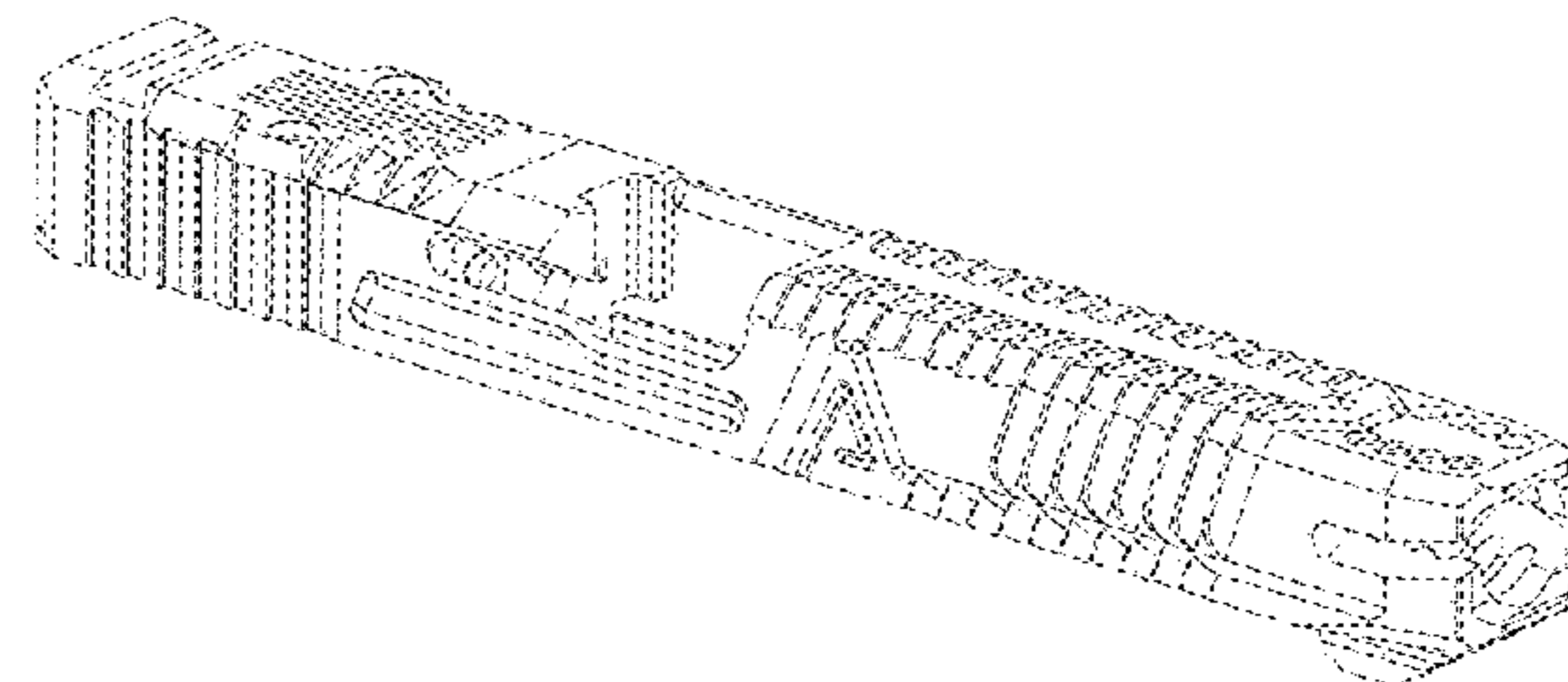
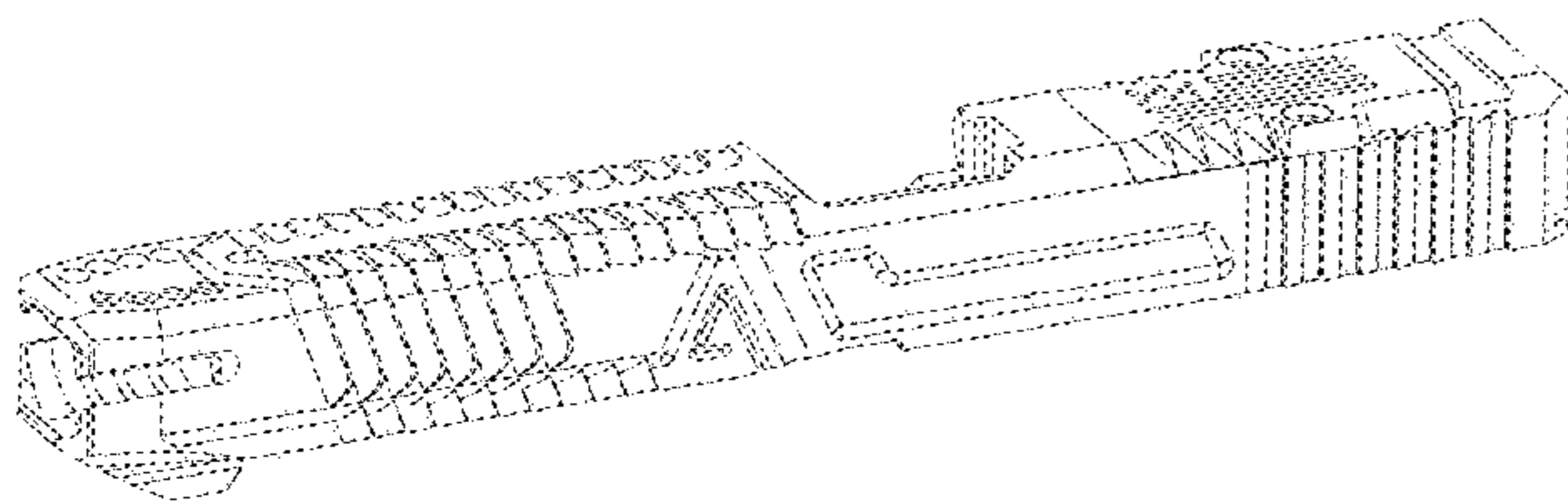
(57) **CLAIM**

The ornamental design for a firearm slide, as shown and described.

DESCRIPTION

FIG. 1 is a perspective view of a firearm slide according to an embodiment of the disclosure;
FIG. 2 is a perspective view thereof;
FIG. 3 is a side view thereof;
FIG. 4 is a side view thereof;
FIG. 5 is a front view thereof;
FIG. 6 is a rear view thereof;
FIG. 7 is a top view thereof; and,
FIG. 8 is a bottom view thereof.

1 Claim, 8 Drawing Sheets



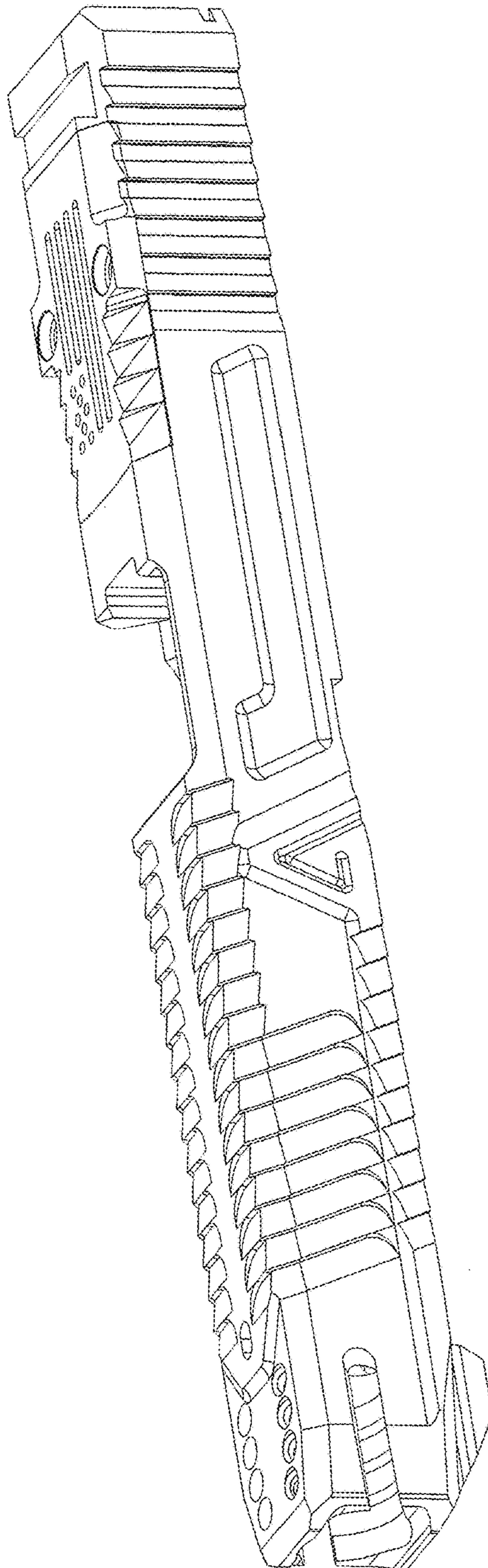


FIG. 1

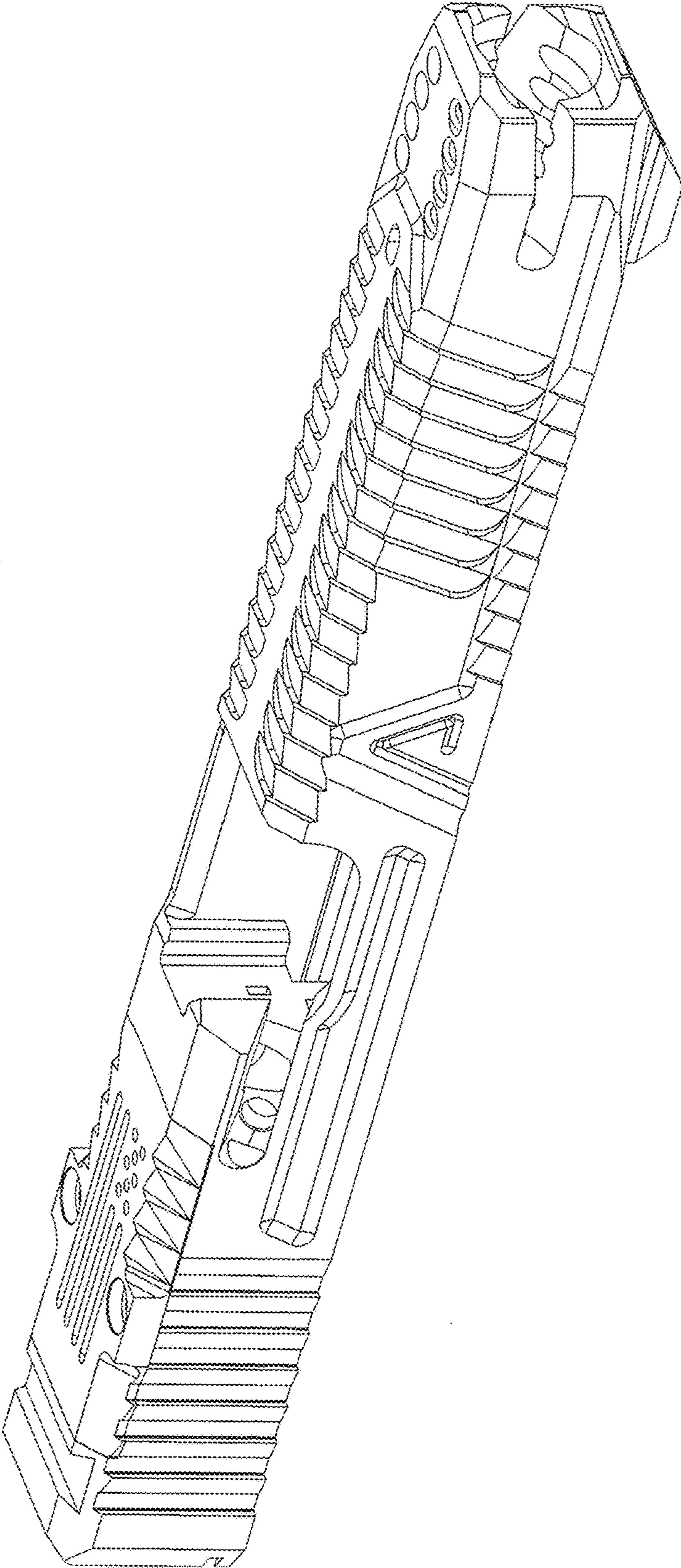


FIG. 2

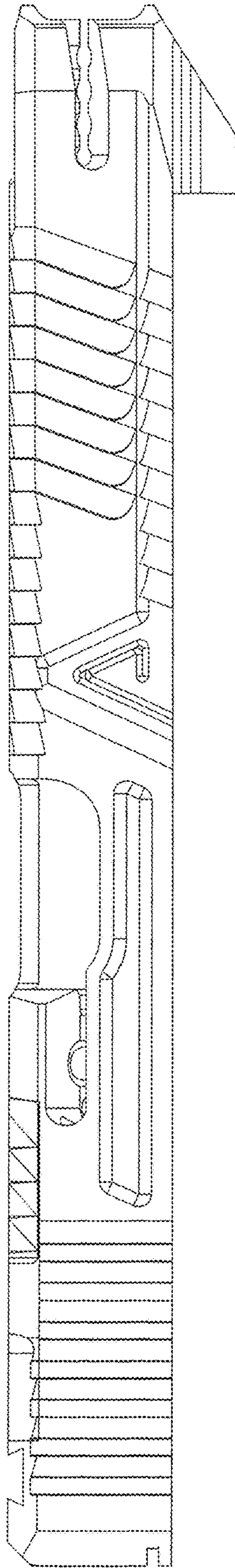


FIG. 3

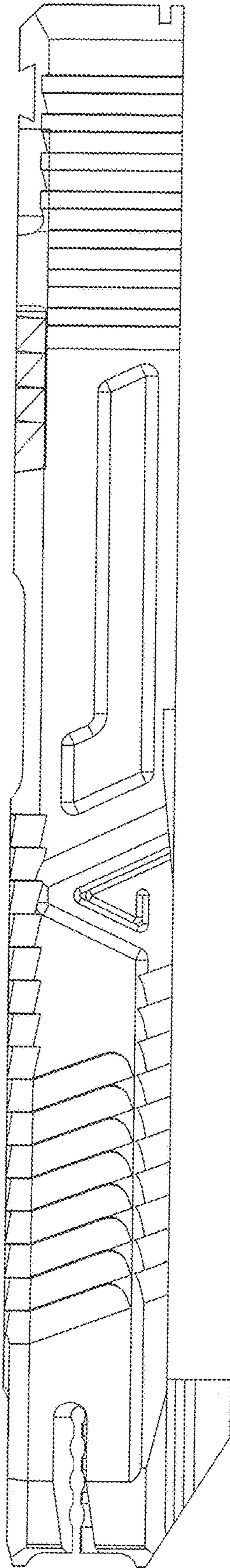


FIG. 4

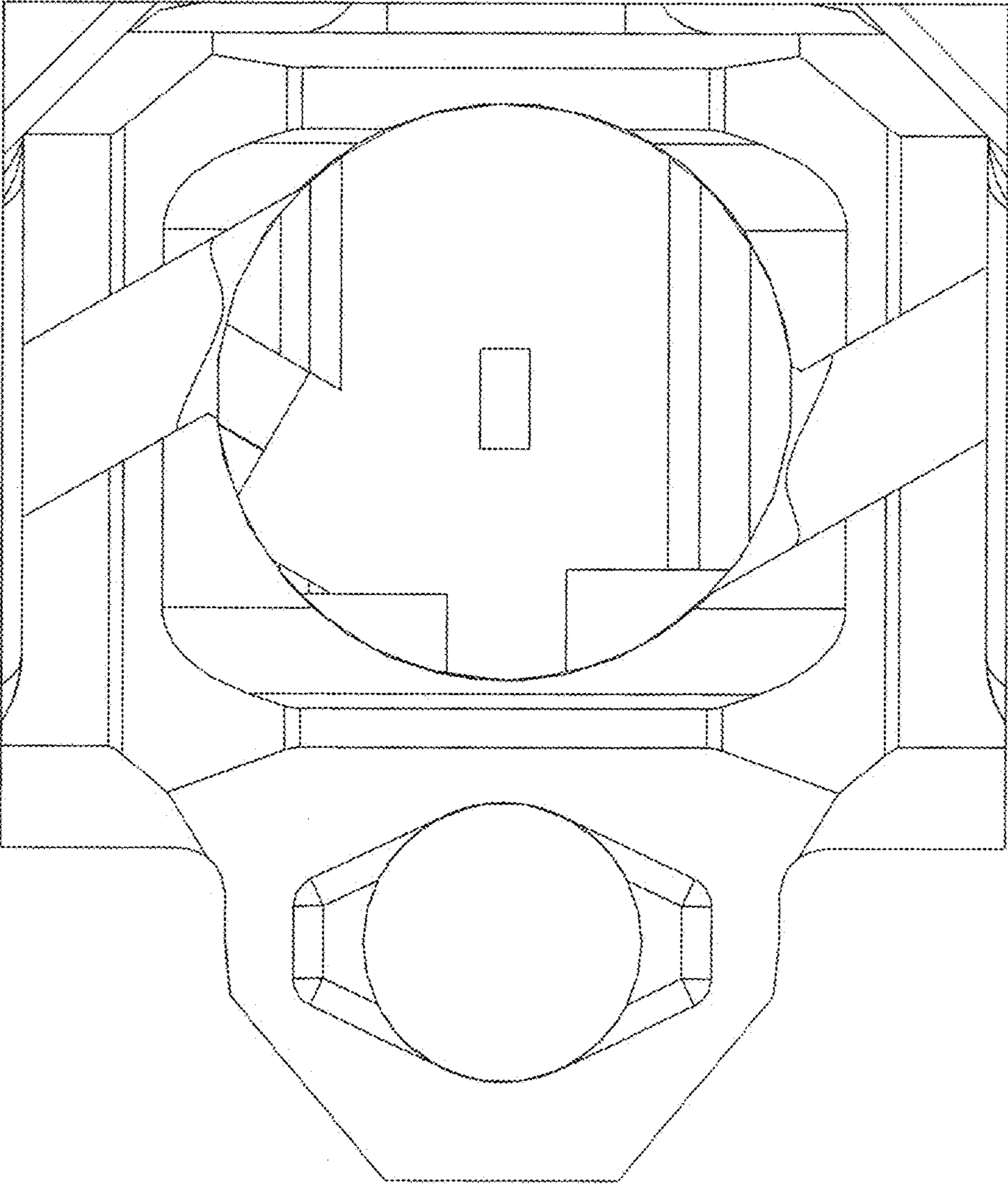


FIG. 5

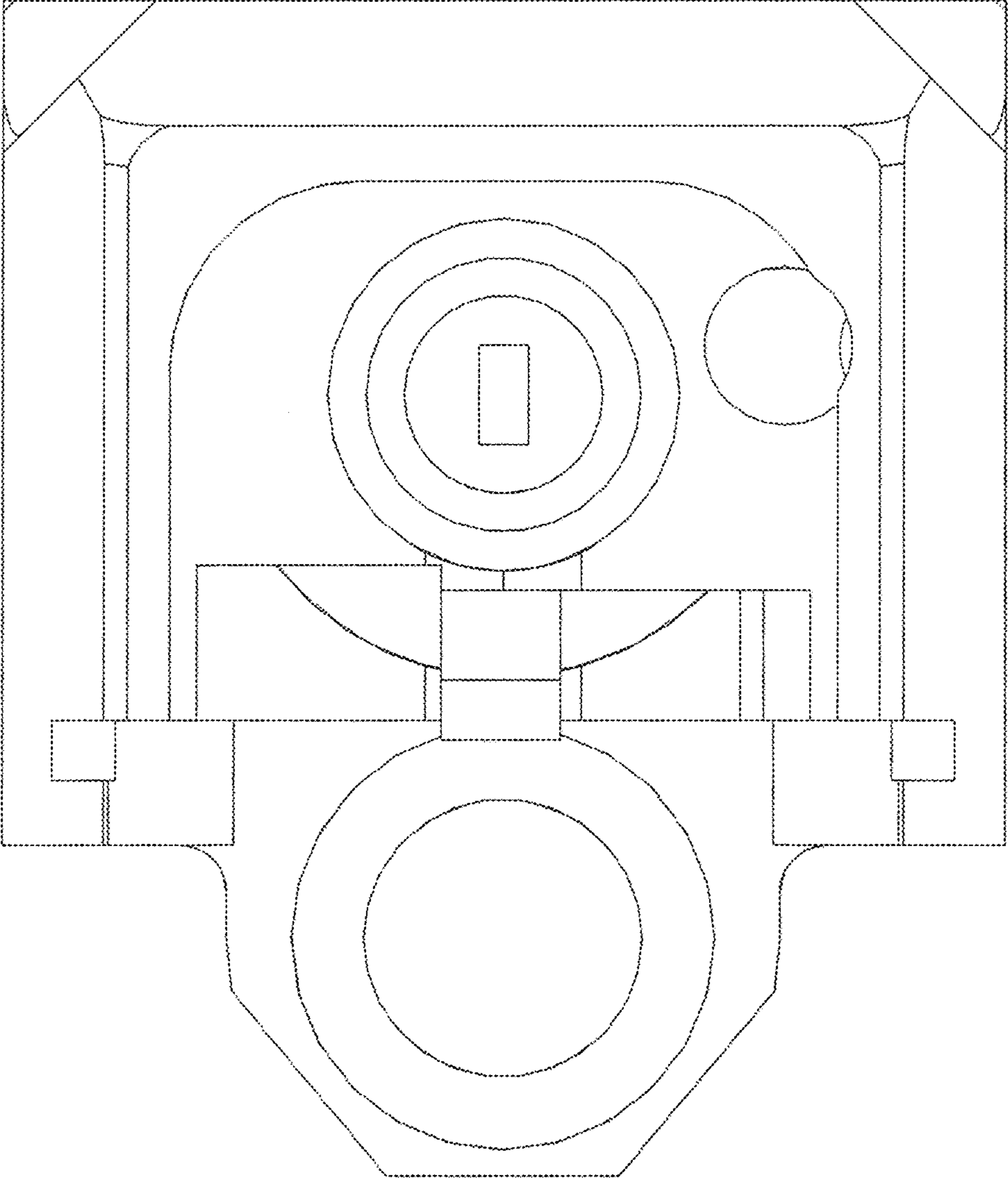


FIG. 6

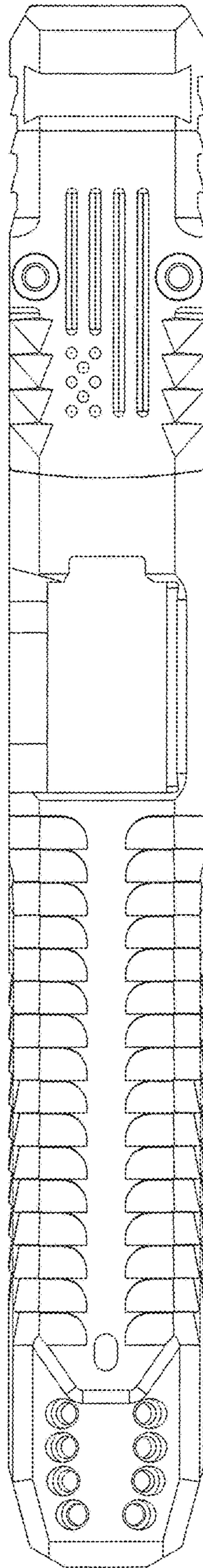


FIG. 7

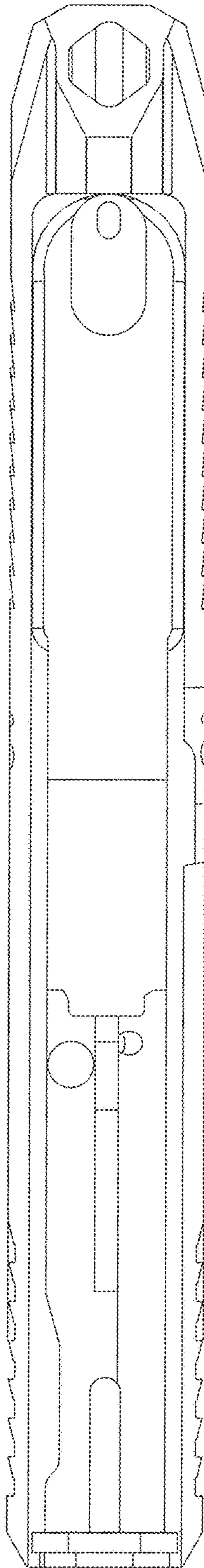


FIG. 8