



US00D824476S

(12) **United States Design Patent**
Bosco et al.

(10) **Patent No.:** **US D824,476 S**
(45) **Date of Patent:** **** *Jul. 31, 2018**

(54) **FOREARM-GRIPPING STABILIZING ATTACHMENT**

(71) Applicant: **NST Global, LLC**, St. Petersburg, FL (US)

(72) Inventors: **Alessandro Roberto Bosco**, St. Petersburg, FL (US); **Grant Bickford Shaw**, St. Petersburg, FL (US); **Lee Bridges**, Clearwater, FL (US); **Jeff Creamer**, Raymond, NH (US)

(*) Notice: This patent is subject to a terminal disclaimer.

(**) Term: **15 Years**

(21) Appl. No.: **29/563,564**

(22) Filed: **May 5, 2016**

(51) **LOC (11) Cl.** **22-01**

(52) **U.S. Cl.**
USPC **D22/108**

(58) **Field of Classification Search**
USPC D22/108; D21/572-573
CPC F41C 23/04; F41C 23/14; F41C 23/06;
F41C 23/22; F41C 33/007
See application file for complete search history.

(56) **References Cited**

U.S. PATENT DOCUMENTS

7,028,427 B2 * 4/2006 Crawford F41C 33/001
42/72
D706,896 S * 6/2014 Bosco D22/108
D728,724 S * 5/2015 Bosco D22/108

D745,941 S * 12/2015 Bosco D22/108
D780,279 S * 2/2017 Bosco D22/108
9,664,477 B1 * 5/2017 Reavis, III F41C 27/22
2009/0211140 A1 * 8/2009 Rolfe F41C 23/04
42/71.01
2014/0144061 A1 * 5/2014 Bosco F41C 33/001
42/94

* cited by examiner

Primary Examiner — Michael A. Pratt
(74) *Attorney, Agent, or Firm* — Maxey-Fisher, PLLC;
Stephen Lewellyn

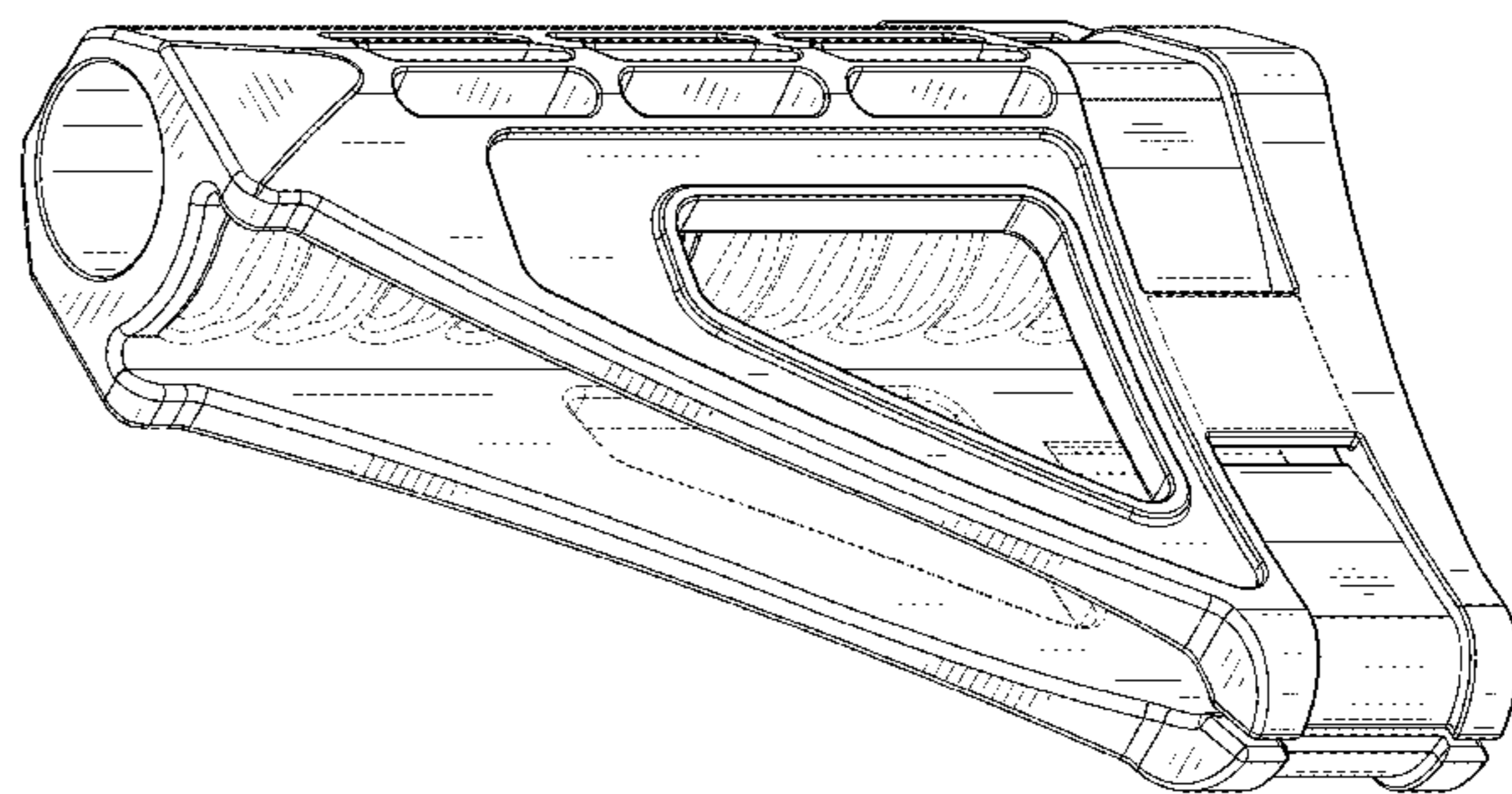
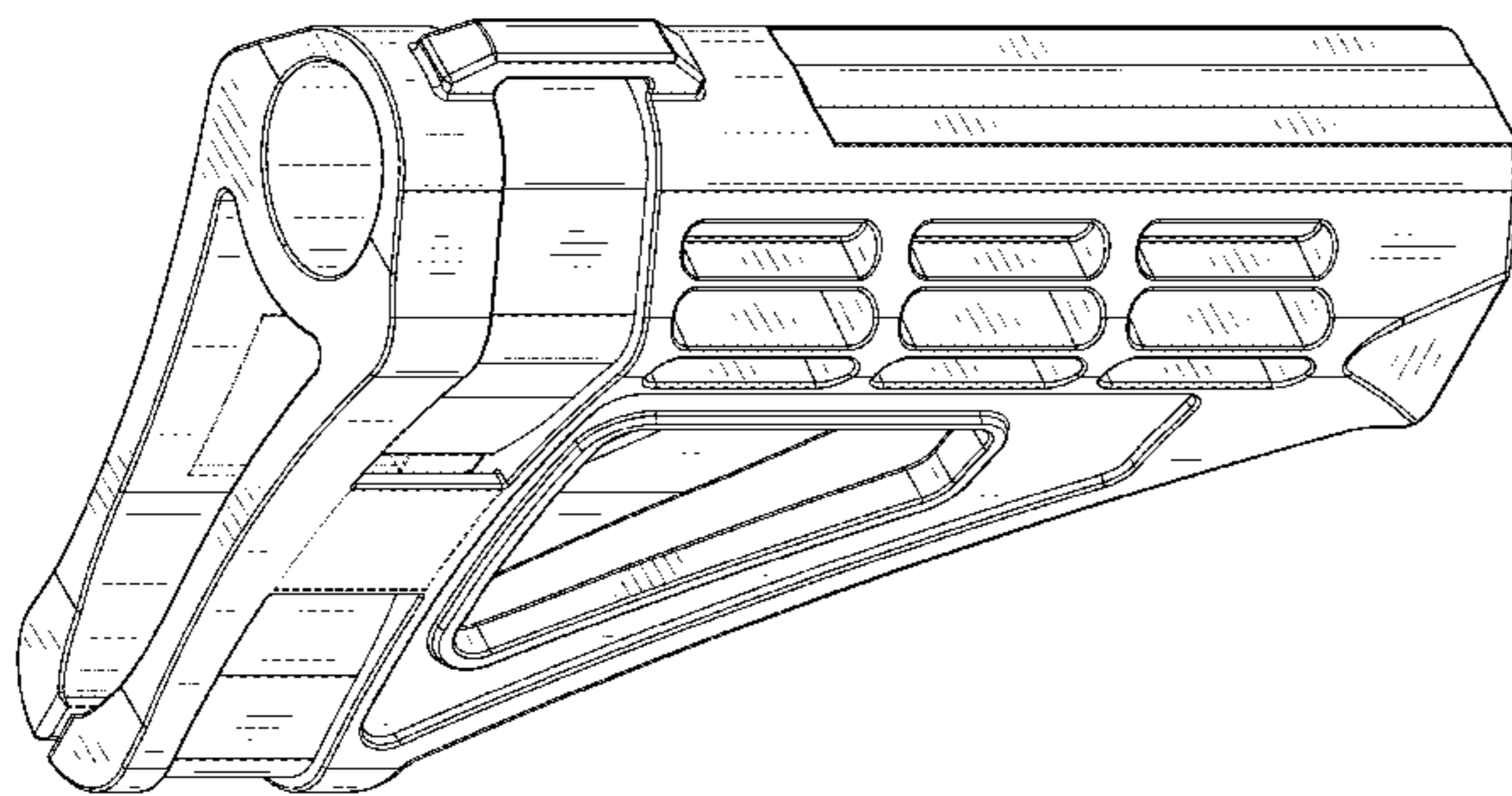
(57) **CLAIM**

The ornamental design for a forearm-gripping stabilizing attachment, as shown and described.

DESCRIPTION

FIG. 1 is a top-rear perspective view of the forearm-gripping stabilizing attachment;
FIG. 2 is a bottom-front perspective view of the forearm-gripping stabilizing attachment,
FIG. 3 is a top plan view of the forearm-gripping stabilizing attachment;
FIG. 4 is a bottom plan view of the forearm-gripping stabilizing attachment;
FIG. 5 is a side elevation view of the forearm-gripping stabilizing attachment, the opposite side being a mirror image;
FIG. 6 is a rear elevation view of the forearm-gripping stabilizing attachment; and,
FIG. 7 is a front elevation view of the forearm-gripping stabilizing attachment.
The broken lines in FIGS. 1 through 7 do not form part of the claimed design.

1 Claim, 5 Drawing Sheets



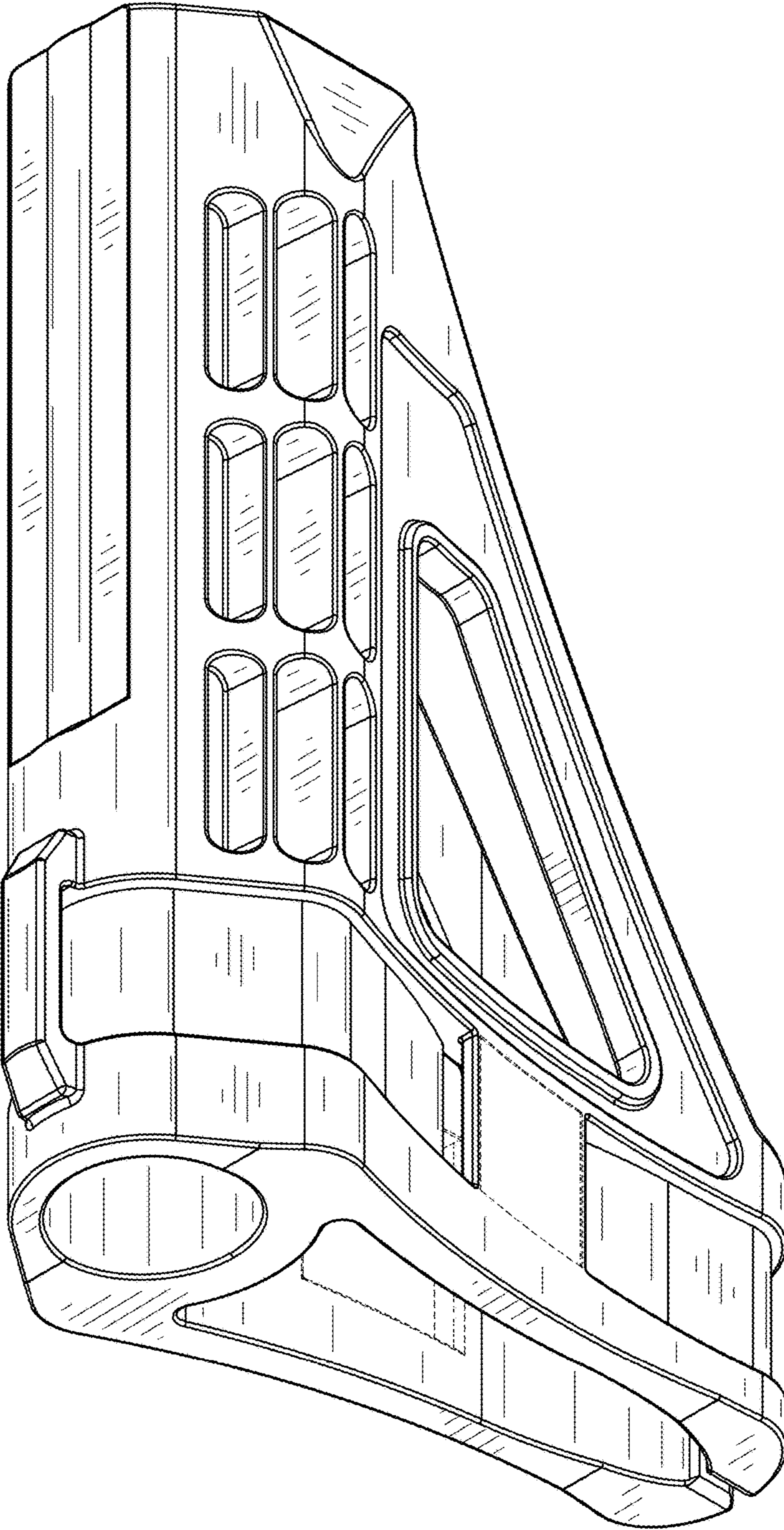


FIG. 1

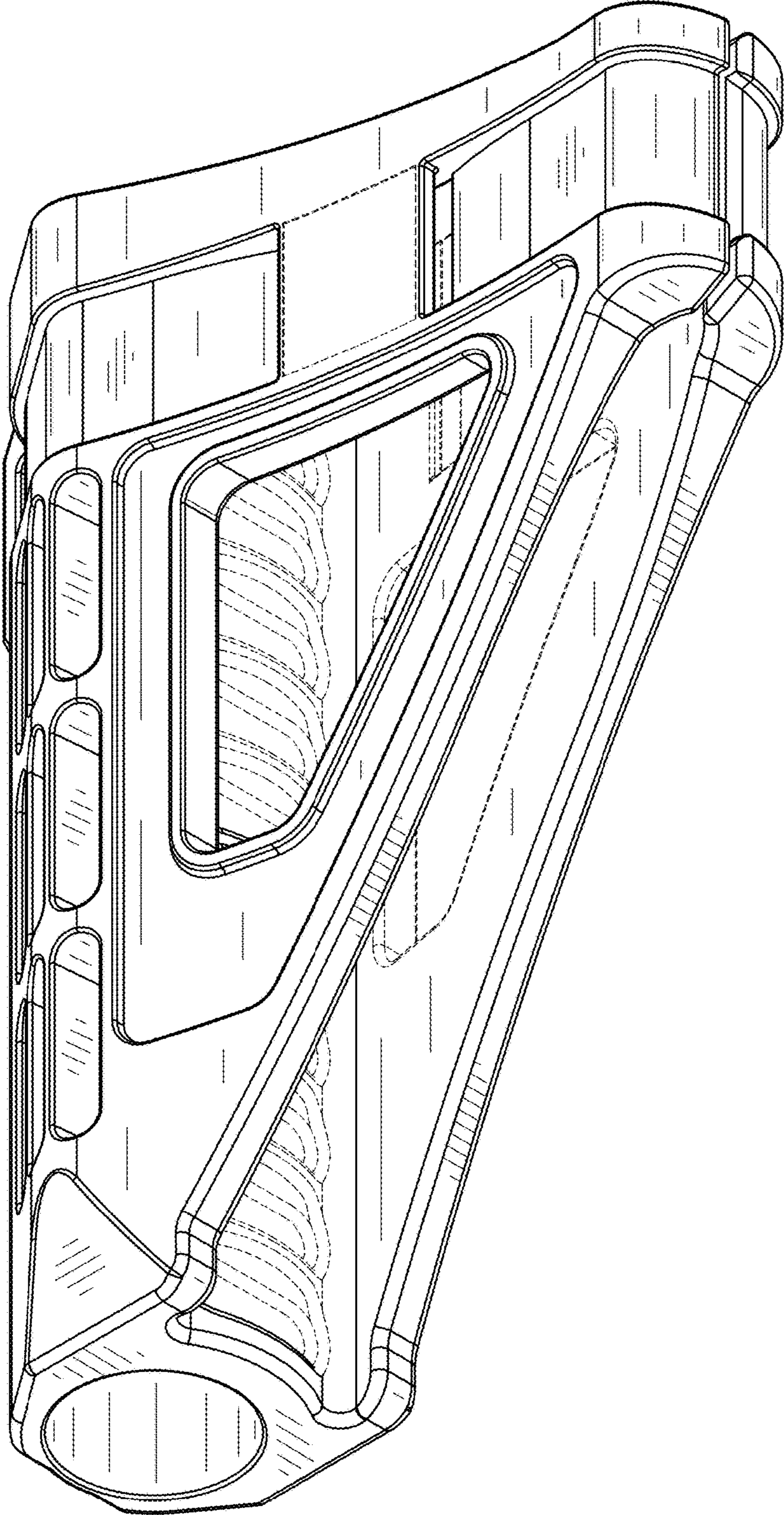


FIG. 2

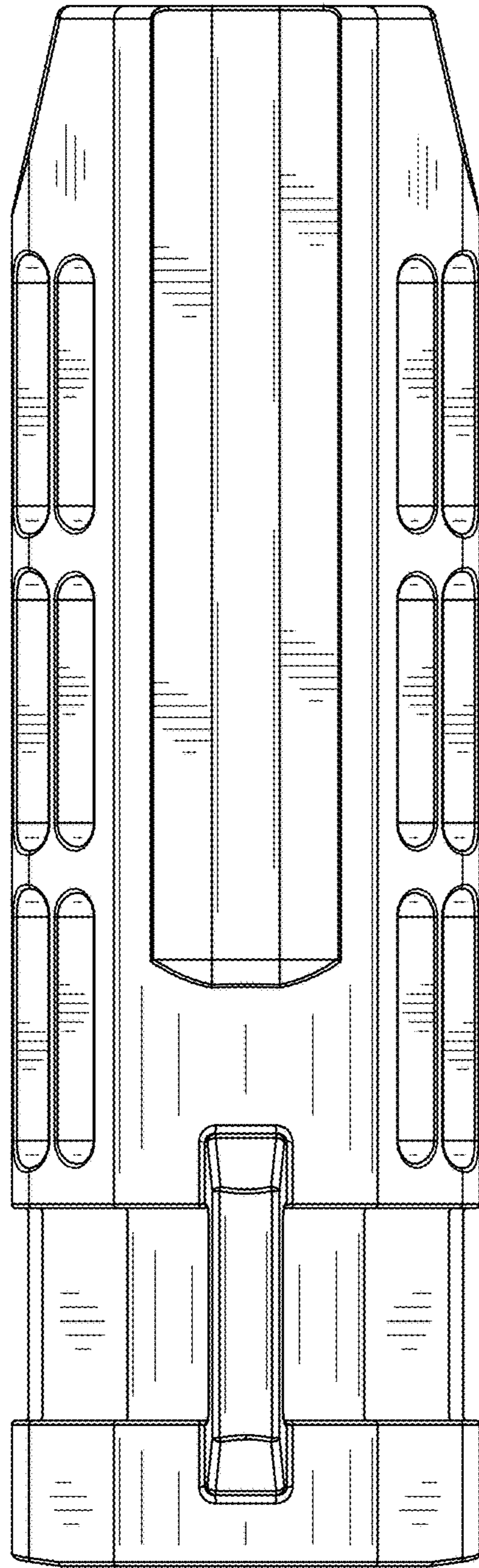


FIG. 3

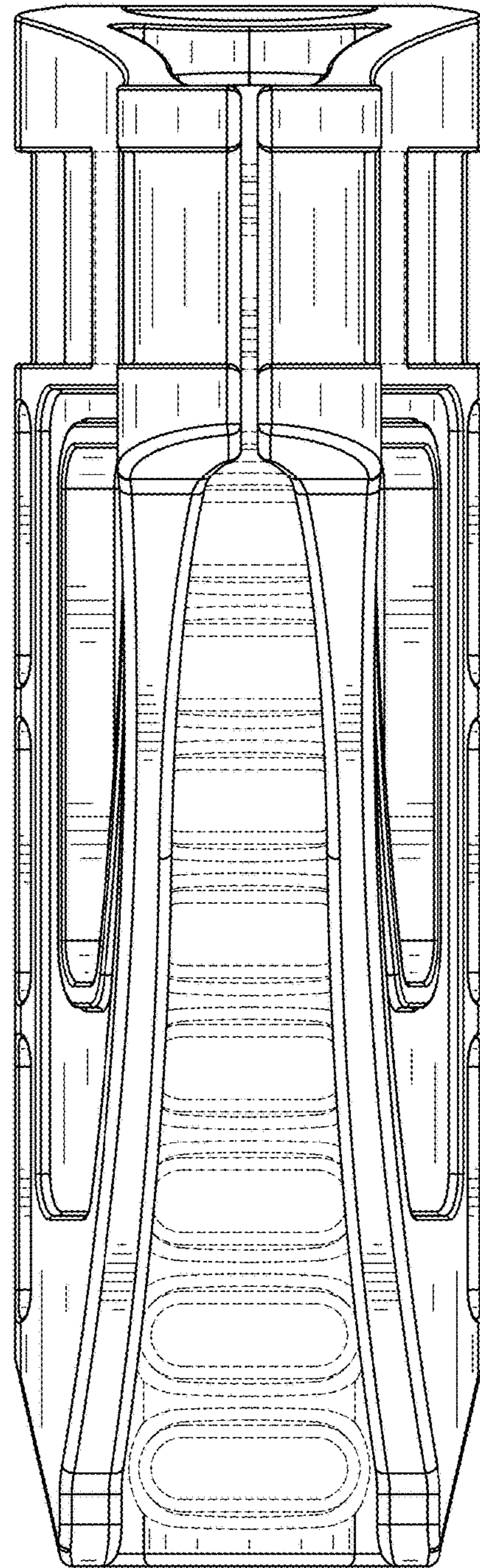


FIG. 4

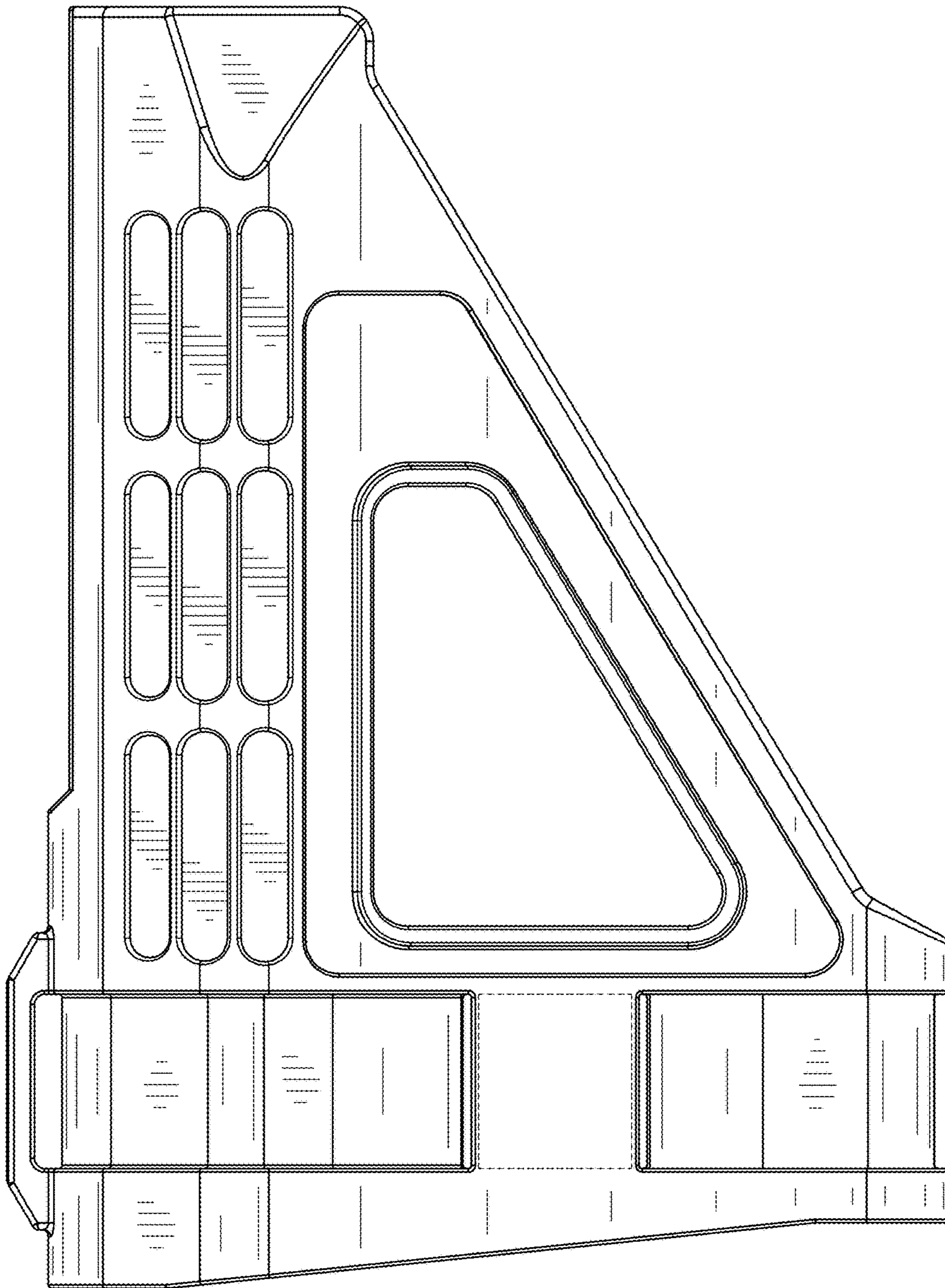


FIG. 5

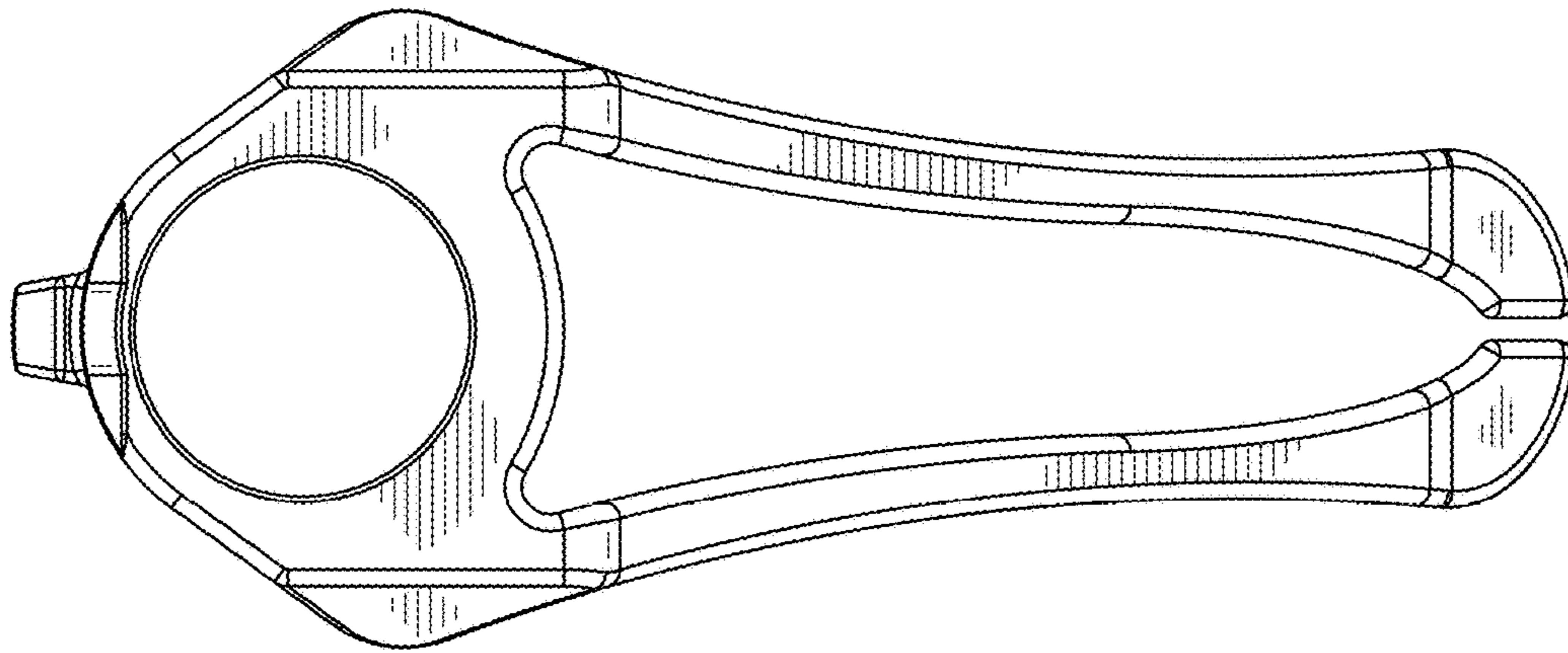


FIG. 7

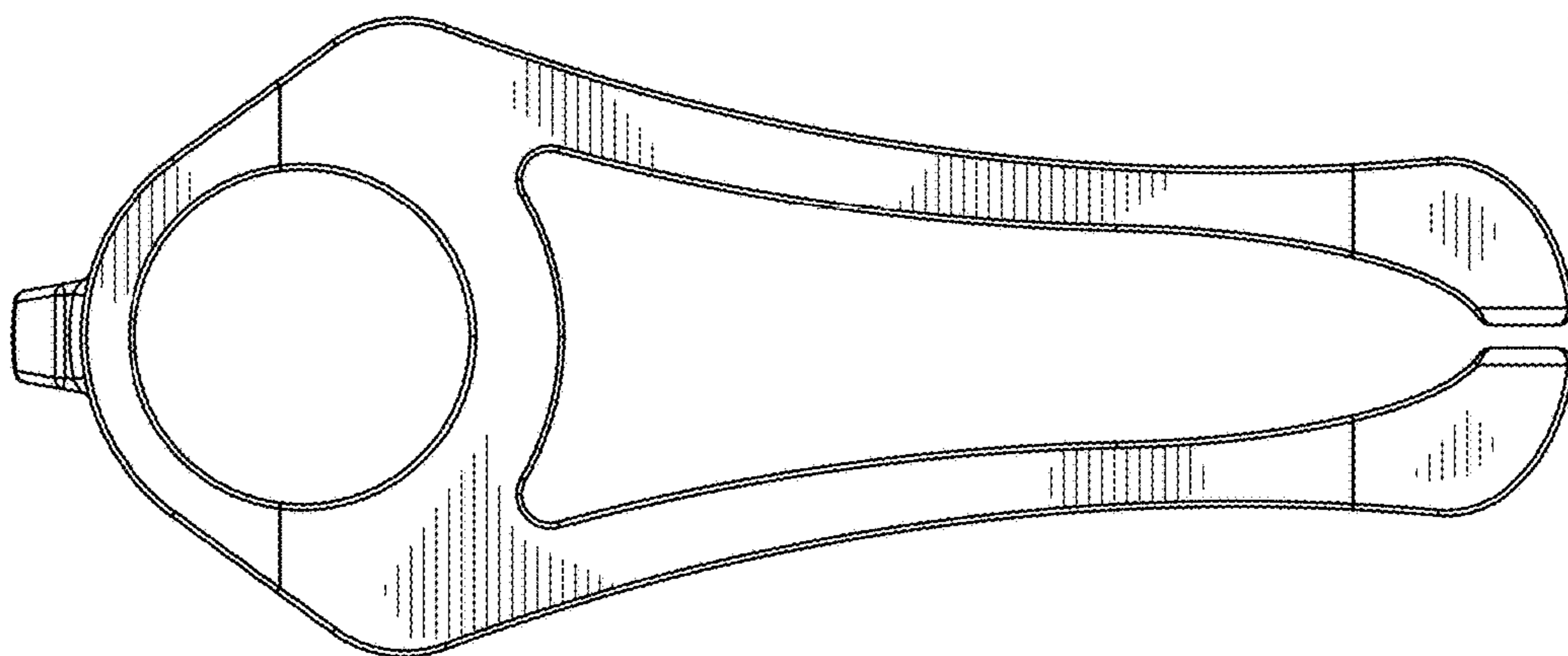


FIG. 6