



US00D824474S

(12) **United States Design Patent**
Xiao

(10) **Patent No.:** **US D824,474 S**

(45) **Date of Patent:** **** Jul. 31, 2018**

(54) **LEISURE TENT**

(71) Applicant: **Yongkai Xiao**, Guangdong (CN)

(72) Inventor: **Yongkai Xiao**, Guangdong (CN)

(73) Assignee: **Yongkai Xiao**, Zhongshan (CN)

(**) Term: **15 Years**

(21) Appl. No.: **29/613,251**

(22) Filed: **Aug. 8, 2017**

(51) **LOC (11) Cl.** **21-04**

(52) **U.S. Cl.**
USPC **D21/837**

(58) **Field of Classification Search**
USPC D21/834, 835, 836, 837, 838, 839, 840
CPC E04H 15/00; E04H 15/02; E04H 15/18;
E04H 15/28; E04H 15/32; E04H 15/34;
E04H 15/40; E04H 15/42; E04H 15/425;
E04H 15/50

See application file for complete search history.

(56) **References Cited**

U.S. PATENT DOCUMENTS

D514,747 S *	2/2006	Bertoli	D30/108
D661,362 S *	6/2012	Zimmer	D21/834
D721,413 S *	1/2015	Zimmer	D21/837
D741,437 S *	10/2015	Zimmer	D21/837
D763,391 S *	8/2016	Xu	D21/837
D773,579 S *	12/2016	Shir	D21/837
D775,296 S *	12/2016	Shir	D21/837
D778,383 S *	2/2017	Xu	D21/837

D795,980 S *	8/2017	Xiao	D21/834
2005/0081903 A1 *	4/2005	Wang	E04H 15/40 135/126
2005/0121061 A1 *	6/2005	Zheng	E04H 15/324 135/126

* cited by examiner

Primary Examiner — Robin Valery Webster

Assistant Examiner — Keith J Wilson

(74) *Attorney, Agent, or Firm* — ScienBiziP, P.C.

(57) **CLAIM**

The ornamental design for a leisure tent, as shown and described.

DESCRIPTION

FIG. 1 is a first perspective view of a leisure tent showing my new design;

FIG. 2 is a rear top perspective view thereof;

FIG. 3 is the front elevation view in an alternate state;

FIG. 4 is a rear elevational view thereof;

FIG. 5 is a left side view thereof;

FIG. 6 is a right side view thereof;

FIG. 7 is a top plan view thereof;

FIG. 8 is a bottom plan view thereof;

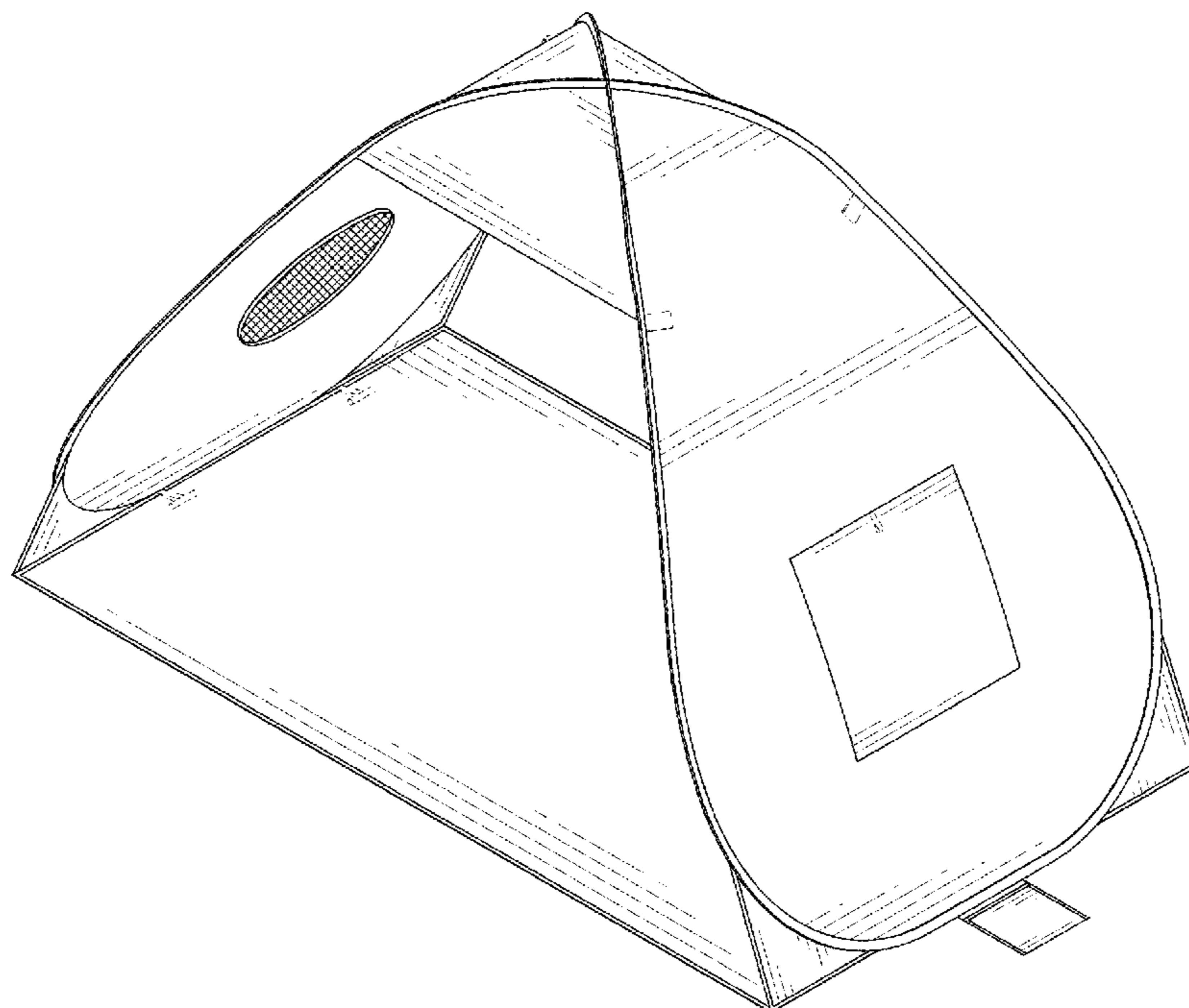
FIG. 9 is a first perspective view showing the leisure tent in a use state; and,

FIG. 10 is a second perspective view showing the leisure tent in a use state.

The broken lines in the drawings illustrate portions of the leisure tent which form no part of the claimed design.

The broken lines in the FIG. 10 depicting four ropes and four fasteners also form no part of the claimed design.

1 Claim, 10 Drawing Sheets



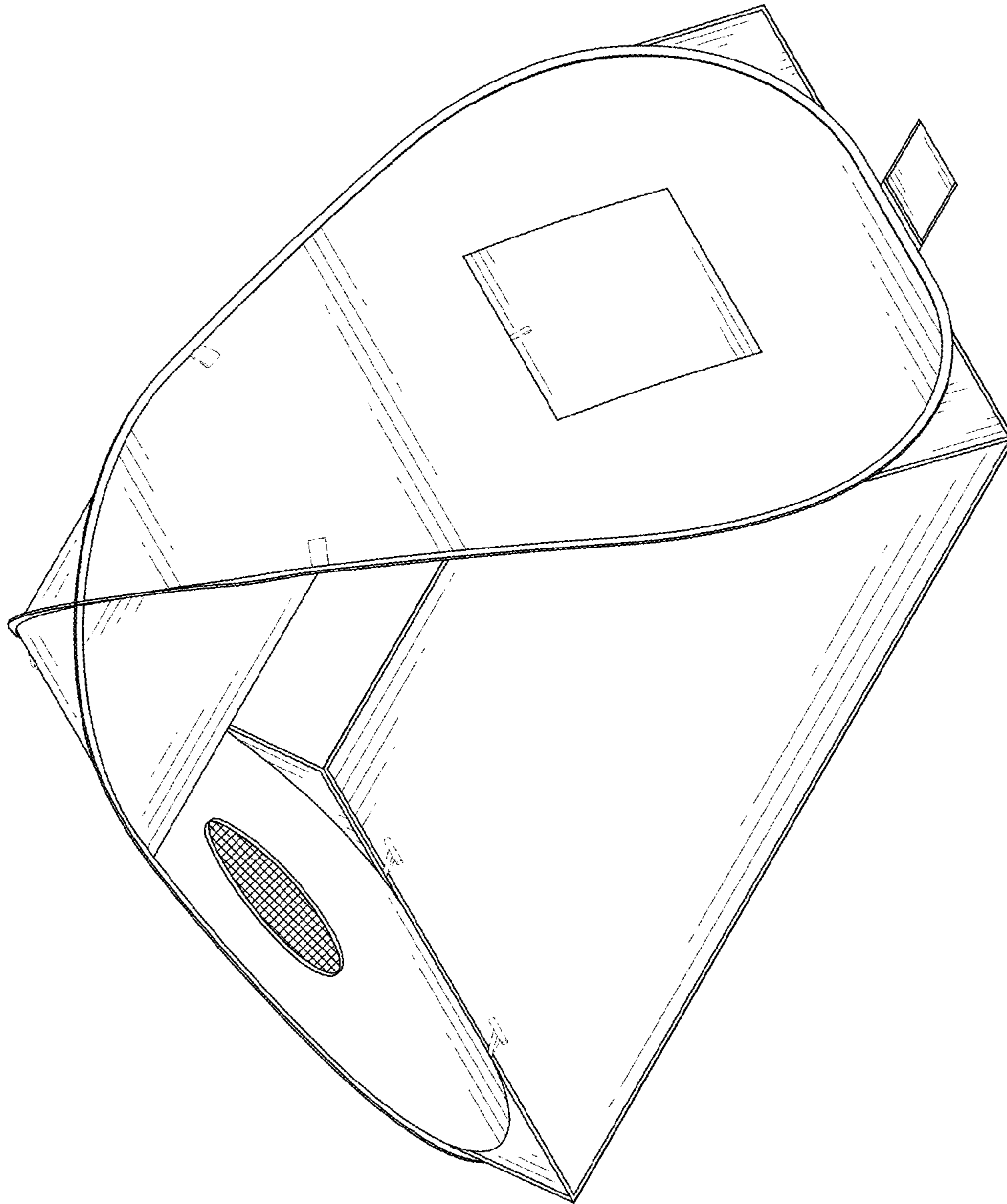


FIG. 1

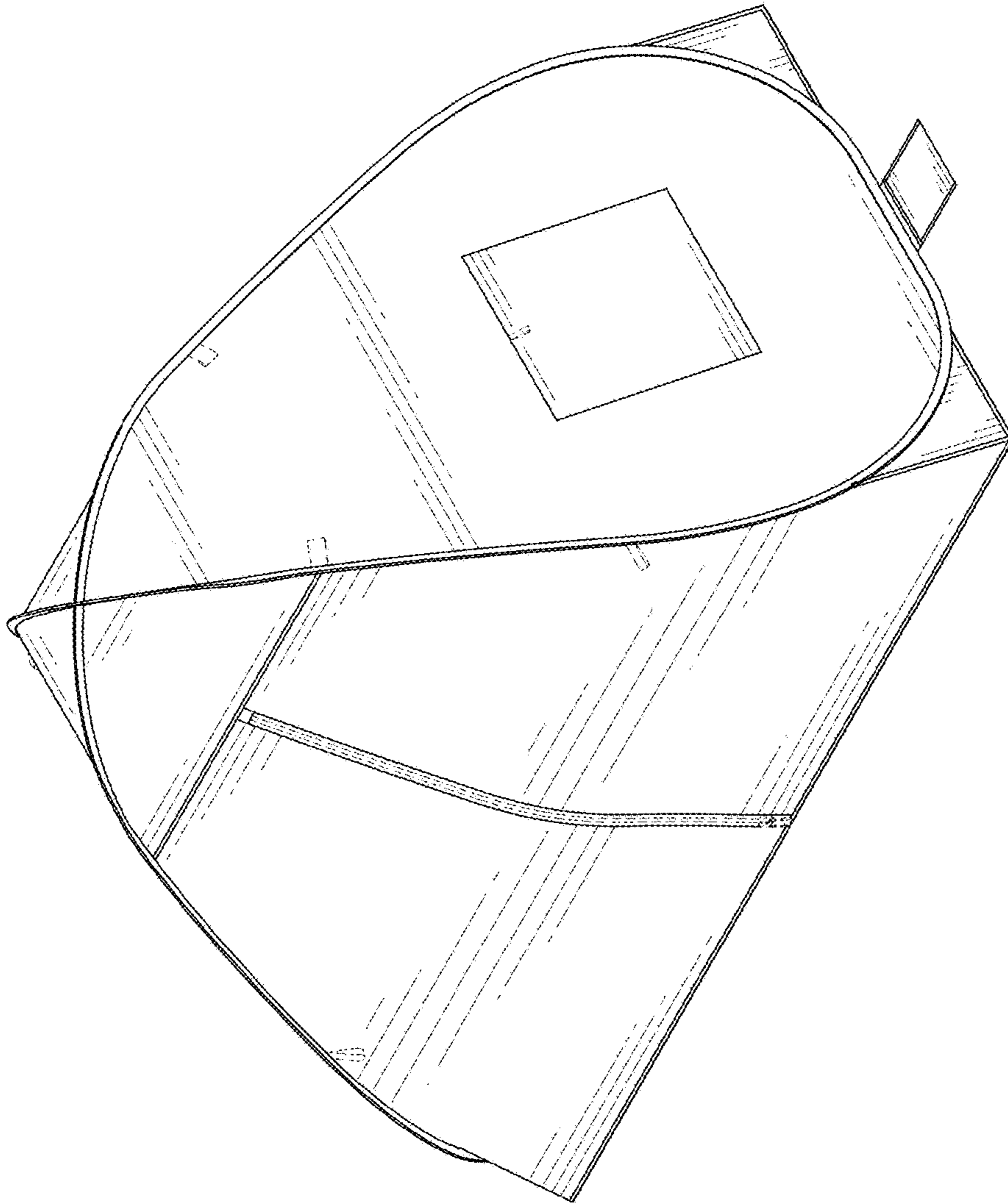


FIG. 2

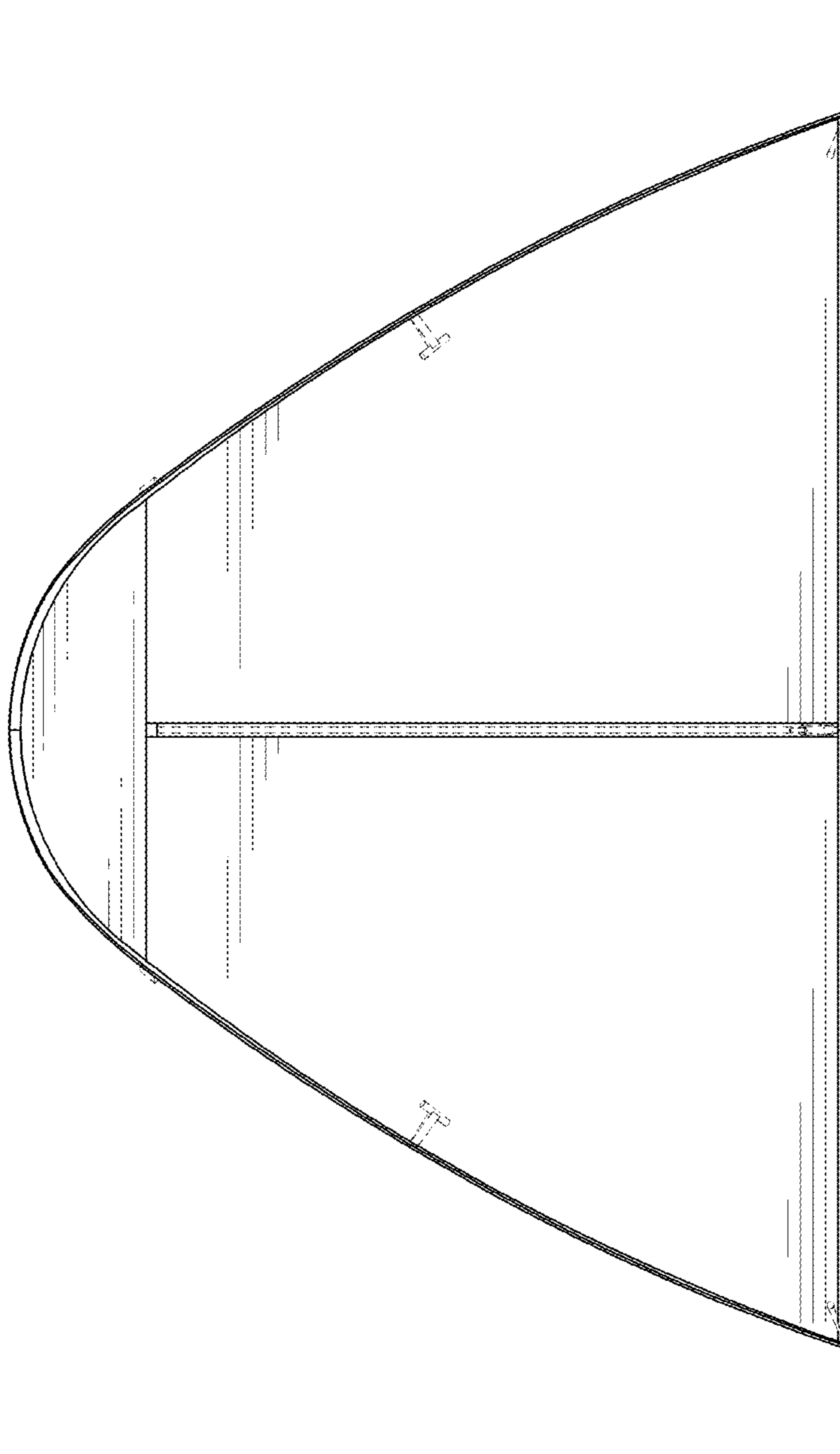


FIG. 3

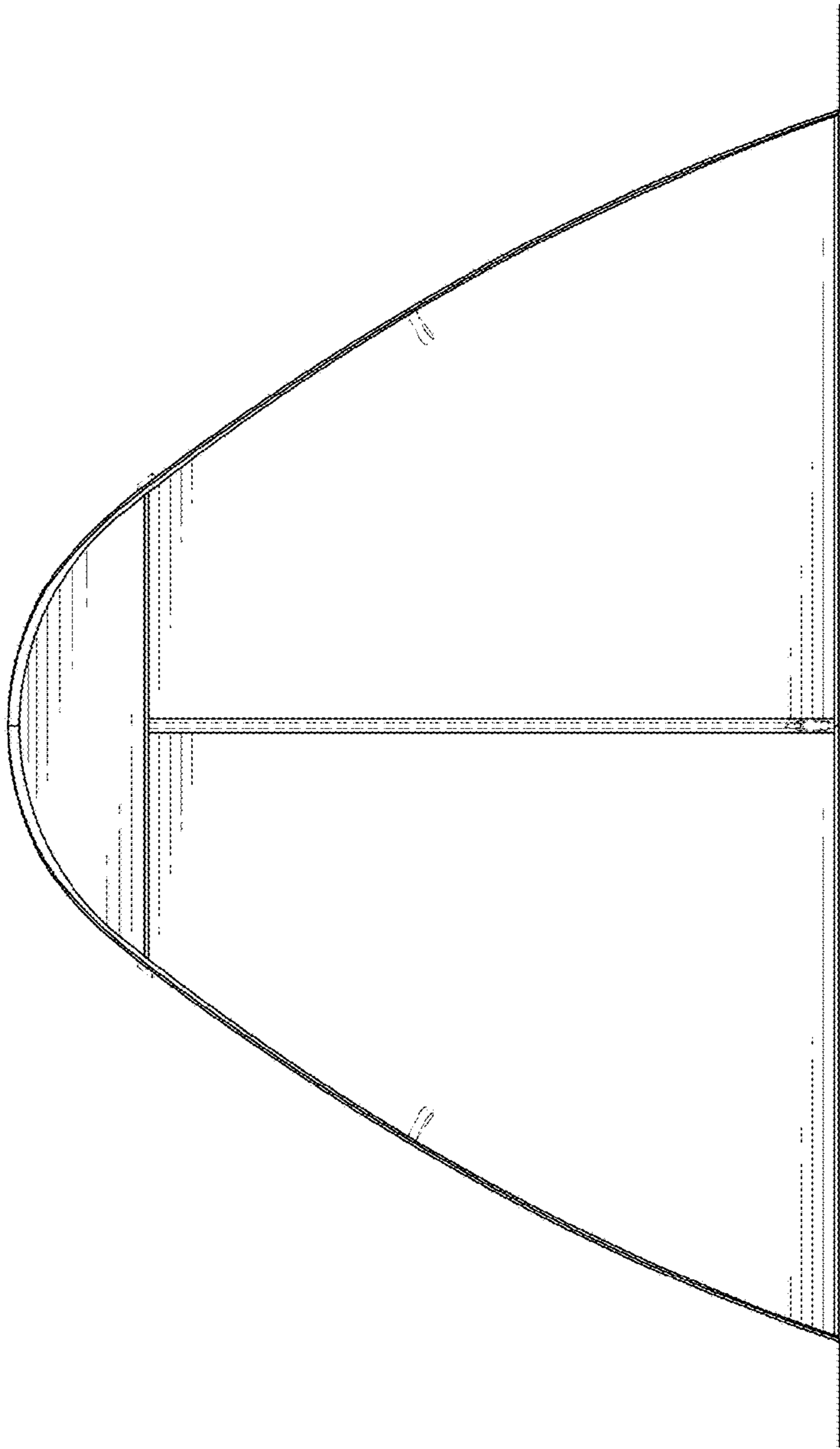


FIG. 4

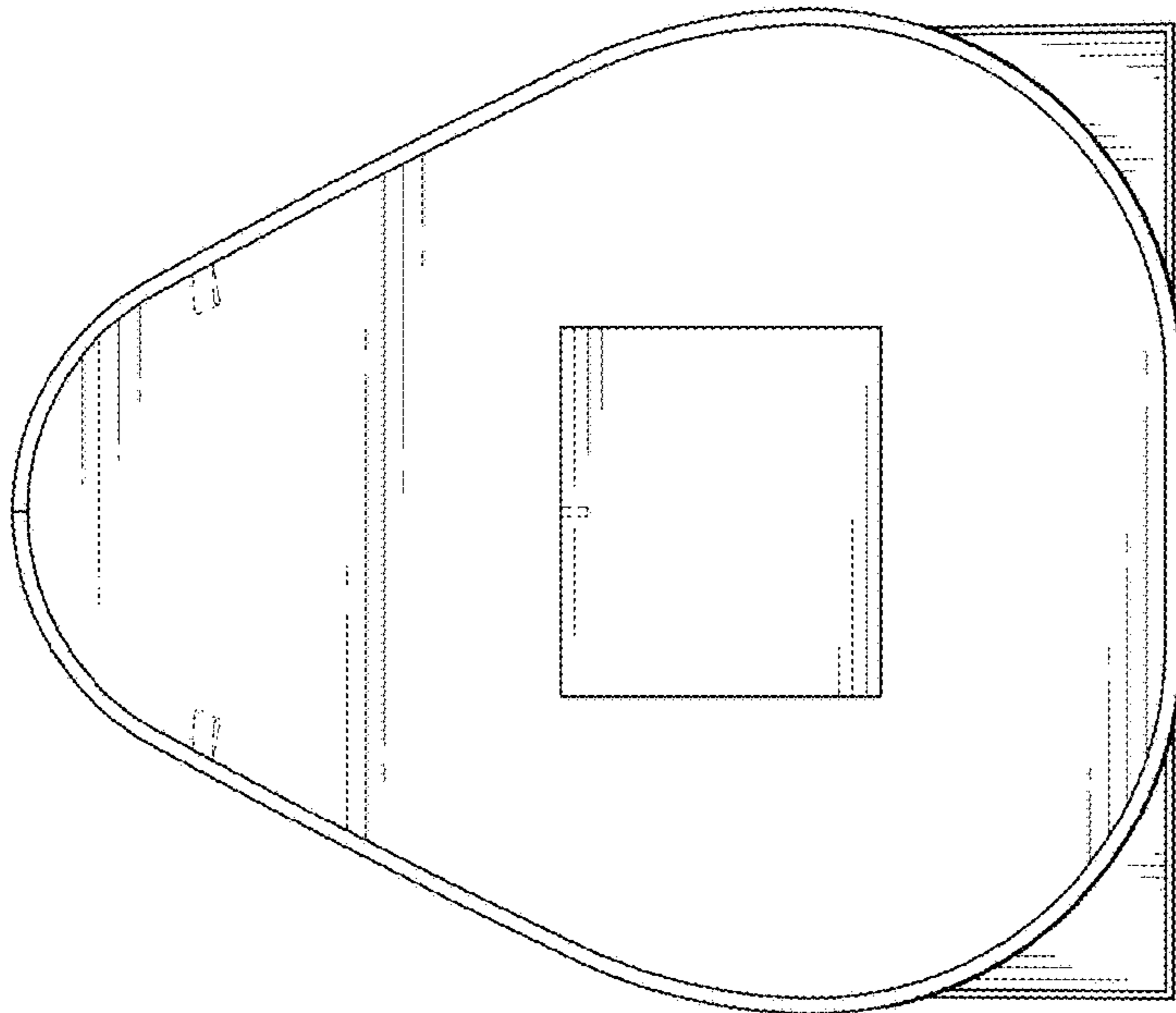


FIG. 5

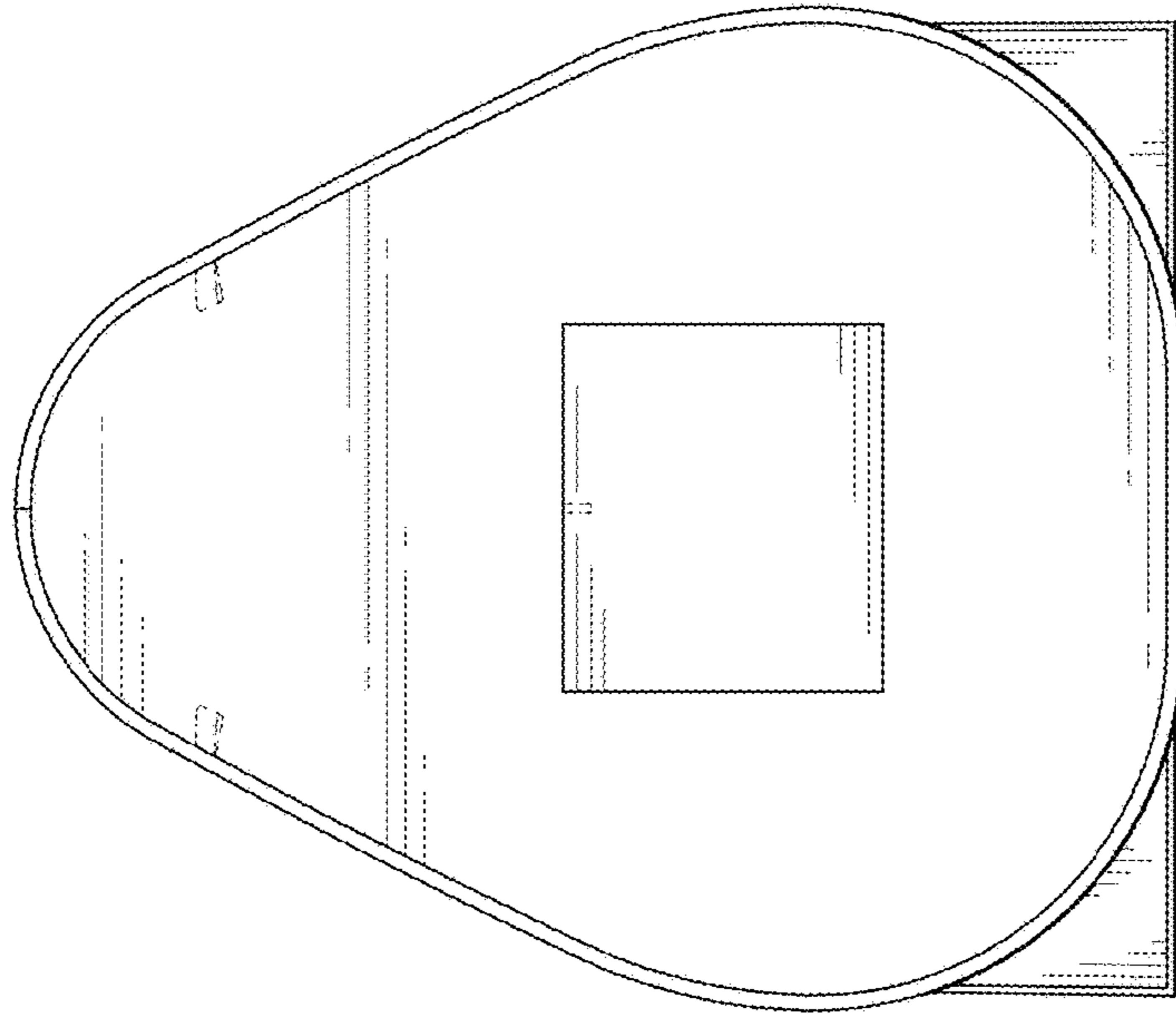


FIG. 6

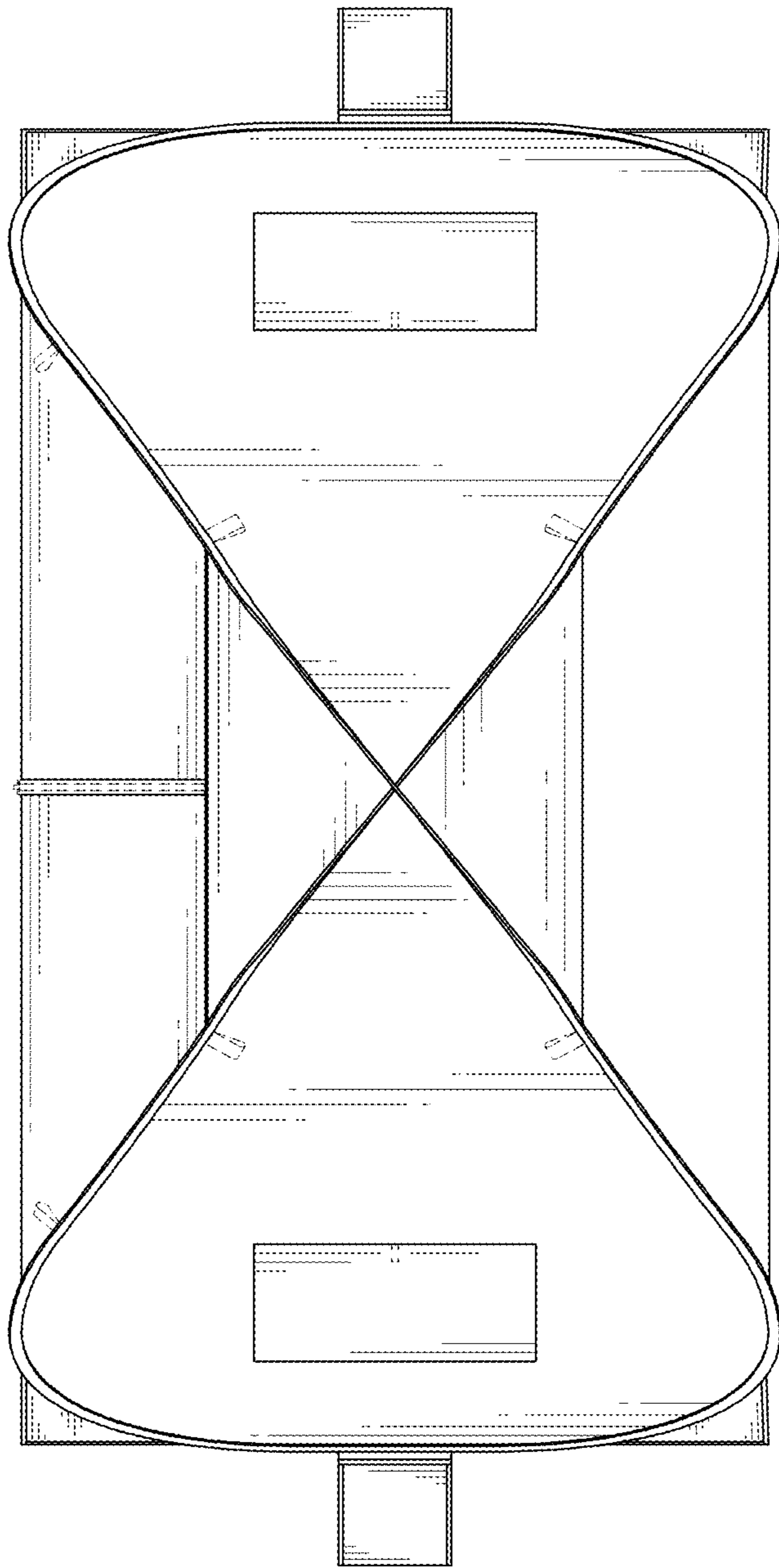


FIG. 7

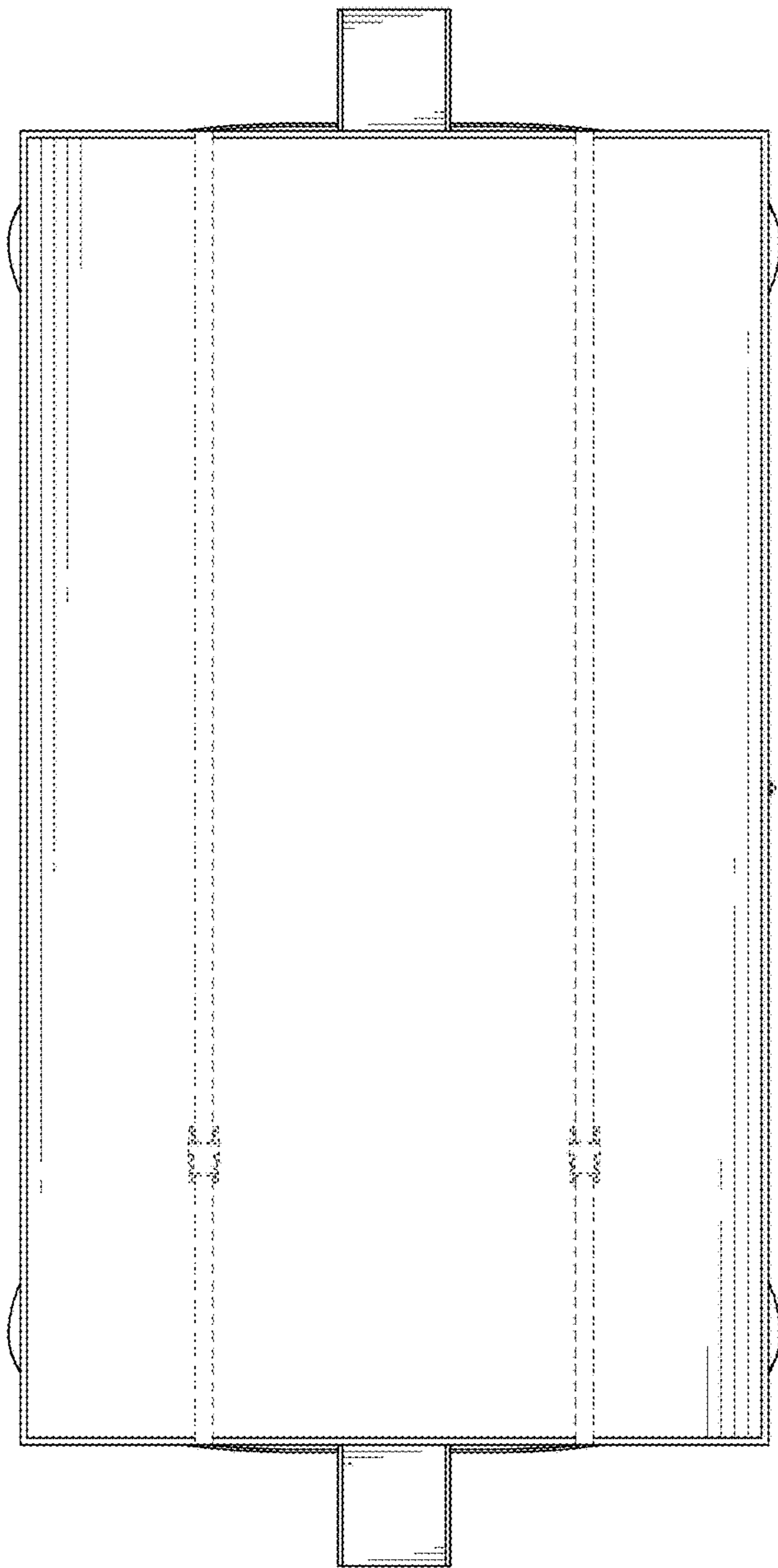


FIG. 8

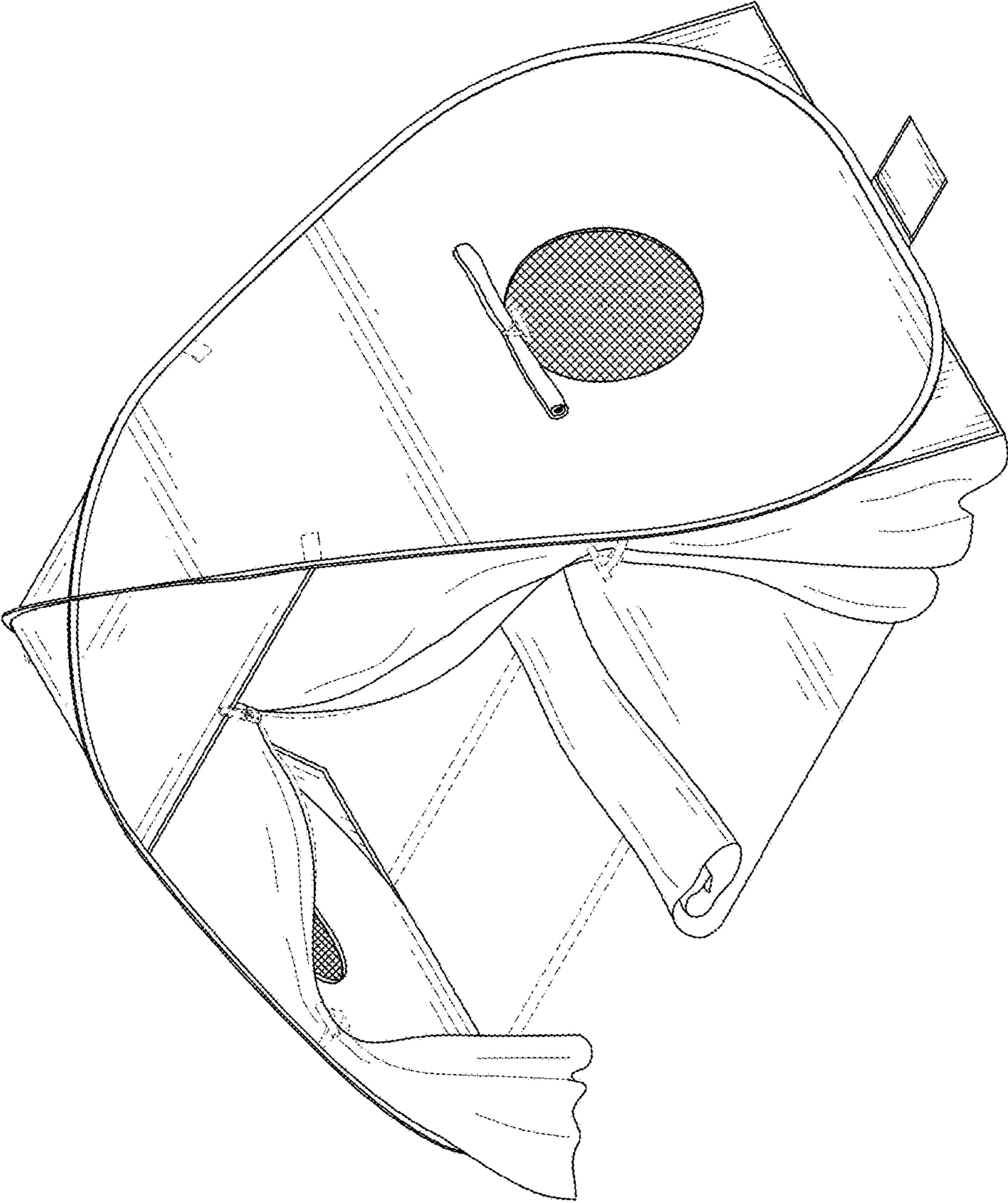


FIG. 9

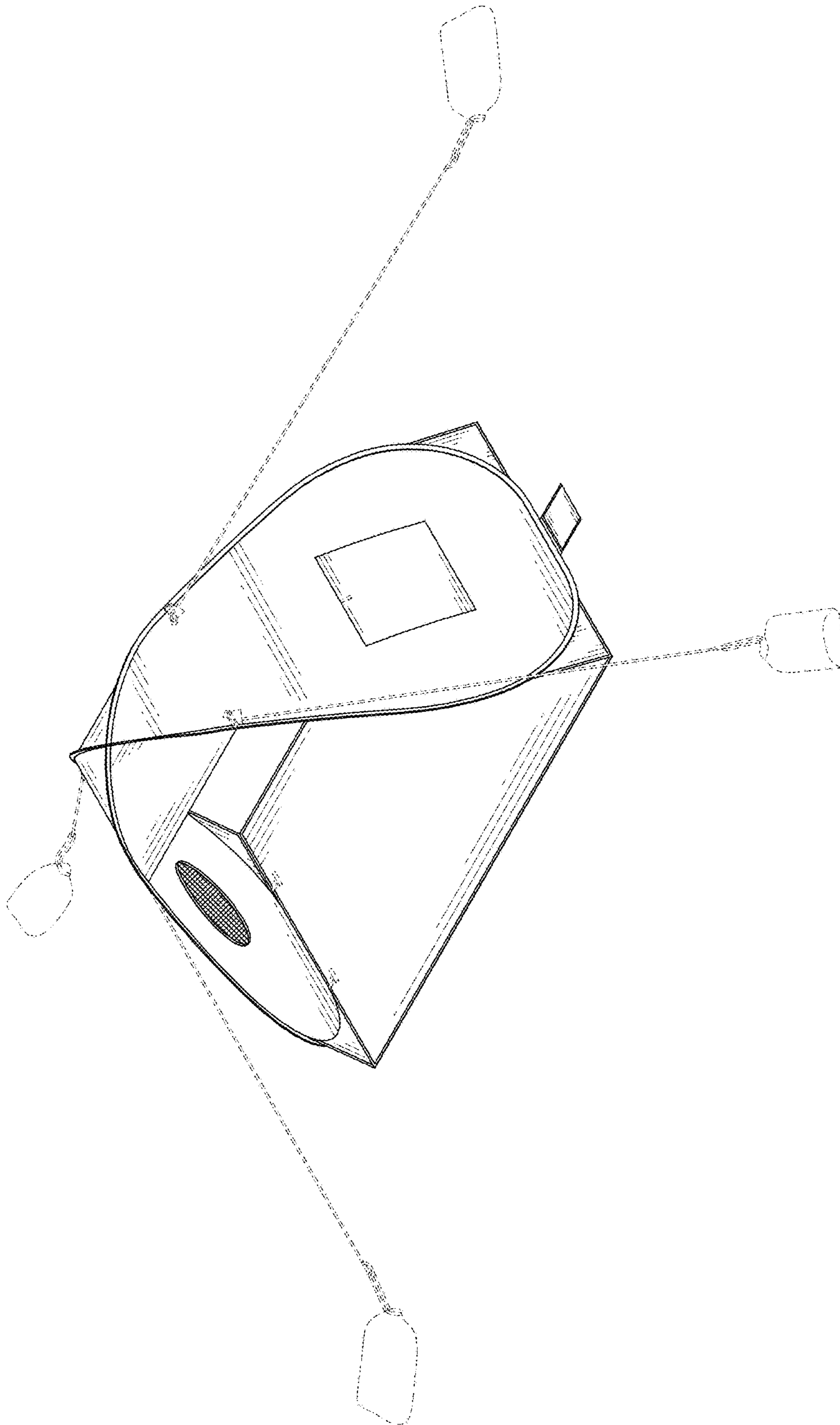


FIG. 10