



US00D824471S

(12) **United States Design Patent** (10) **Patent No.:** **US D824,471 S**  
**Bagumyan et al.** (45) **Date of Patent:** **\*\* Jul. 31, 2018**

(54) **BOUNCE HOUSE OBSTACLE**  
(71) Applicant: **Magic Jump, Inc.**, Sun Valley, CA (US)  
(72) Inventors: **Sarmen Bagumyan**, Sun Valley, CA (US); **Arthur Bagumyan**, Sun Valley, CA (US); **Andranik Andy Bagumyan**, Sun Valley, CA (US)  
(\*\*) Term: **15 Years**  
(21) Appl. No.: **29/611,518**  
(22) Filed: **Jul. 21, 2017**  
(51) **LOC (11) Cl.** ..... **21-03**  
(52) **U.S. Cl.**  
USPC ..... **D21/818; D21/835**  
(58) **Field of Classification Search**  
USPC ..... D21/811, 814, 818-822, 826, 827, 835  
CPC ..... A63G 21/00-21/22; A63G 31/007; A63G 31/12; E04G 11/04; E04H 15/20; E04H 2015/201-2015/209  
See application file for complete search history.

D472,292 S \* 3/2003 Peterson ..... D21/818  
D511,363 S \* 11/2005 Nicholson ..... D21/818  
D522,082 S \* 5/2006 Peterson ..... D21/818  
D540,413 S \* 4/2007 McKee ..... D21/818  
D556,287 S \* 11/2007 Robinson ..... D21/819  
D556,288 S \* 11/2007 Robinson ..... D21/815  
D556,849 S \* 12/2007 Ferraro, Sr. .... D21/815  
D557,368 S \* 12/2007 Berenson ..... D21/818  
D557,369 S \* 12/2007 Robinson ..... D21/818  
D595,801 S \* 7/2009 Boulton ..... D21/819  
D595,802 S \* 7/2009 Boulton ..... D21/835  
D597,163 S \* 7/2009 Boulton ..... D21/819  
D597,624 S \* 8/2009 Boulton ..... D21/819  
D600,769 S \* 9/2009 Xiao ..... D21/820  
D600,770 S \* 9/2009 Xiao ..... D21/820  
D627,848 S \* 11/2010 Cline ..... D21/814  
7,878,877 B2 \* 2/2011 Scherba ..... A63G 9/00  
446/220  
D730,469 S \* 5/2015 Chen ..... D21/819  
D730,470 S \* 5/2015 Chen ..... D21/819  
D762,800 S \* 8/2016 Scherba ..... D21/811  
D762,801 S \* 8/2016 Scherba ..... D21/811

(Continued)

Primary Examiner — Mitchell I. Siegel  
(74) Attorney, Agent, or Firm — Not Just Patents LLC;  
Wendy S. Peterson

(57) **CLAIM**

The ornamental design for a bounce house obstacle, as shown.

**DESCRIPTION**

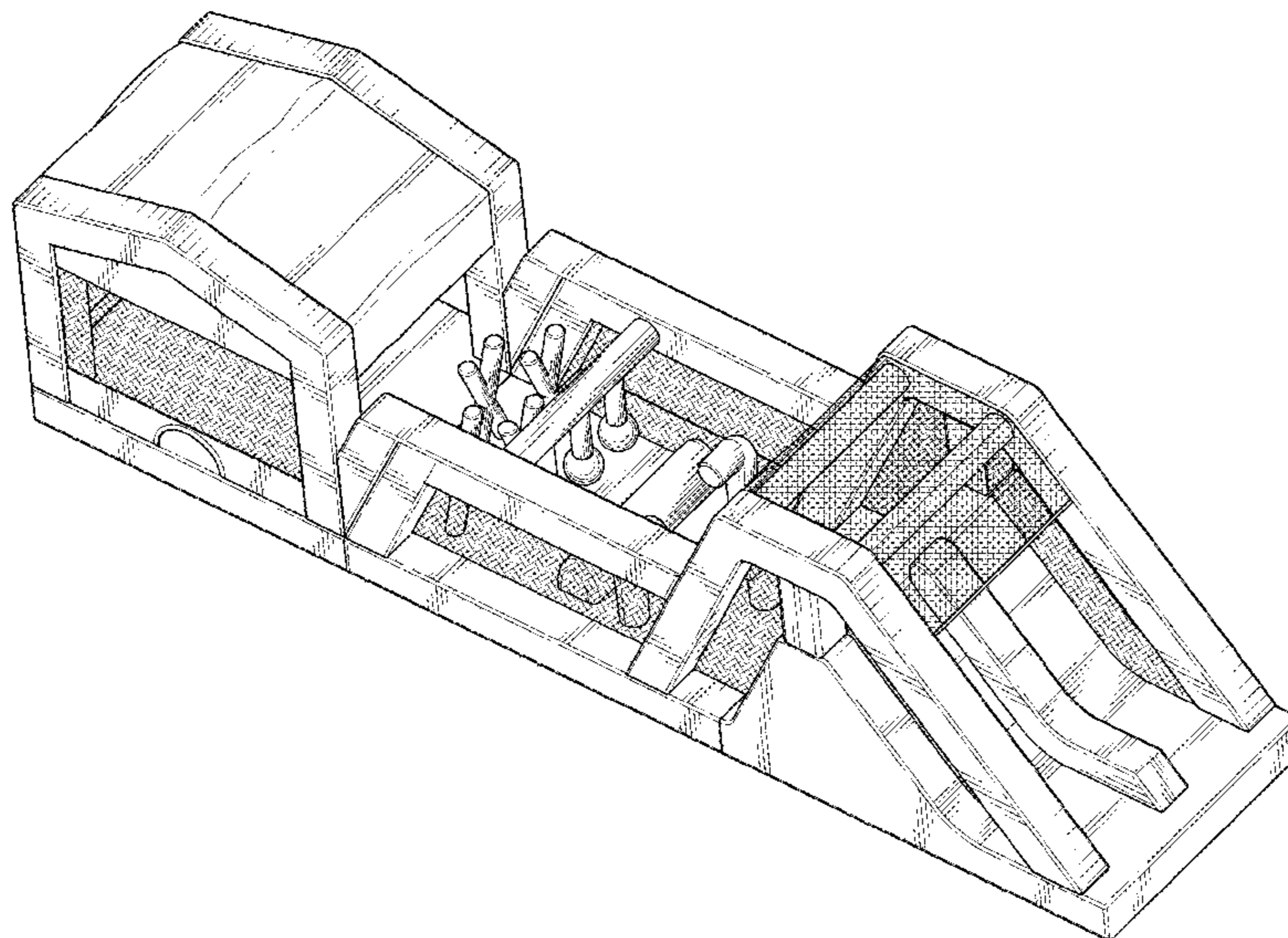
FIG. 1 is a top, front, left perspective view of a bounce house showing our new design;  
FIG. 2 is a right view thereof;  
FIG. 3 is a left view thereof;  
FIG. 4 is a top view thereof;  
FIG. 5 is a bottom view thereof;  
FIG. 6 is a back view thereof; and,  
FIG. 7 is a front view thereof.

**1 Claim, 6 Drawing Sheets**

(56) **References Cited**

**U.S. PATENT DOCUMENTS**

D328,326 S \* 7/1992 Kuan ..... D21/818  
D340,965 S \* 11/1993 Lee ..... D21/818  
5,678,357 A \* 10/1997 Rubio ..... E04H 15/20  
40/212  
D389,217 S \* 1/1998 Rubio ..... D21/814  
D422,667 S \* 4/2000 Lau ..... D21/814  
D423,624 S \* 4/2000 Motosko ..... D21/814  
D437,022 S \* 1/2001 Gourchounian ..... D21/835  
D437,023 S \* 1/2001 Gourchounian ..... D21/835  
D437,380 S \* 2/2001 Gourchounian ..... D21/835  
D439,946 S \* 4/2001 Gourchounian ..... D21/835  
D440,622 S \* 4/2001 Gourchounian ..... D21/820  
D460,141 S \* 7/2002 Gourchounian ..... D21/820



(56)

**References Cited**

U.S. PATENT DOCUMENTS

D803,340 S \* 11/2017 Scherba ..... D21/814  
D815,709 S \* 4/2018 Wang ..... D21/818

\* cited by examiner



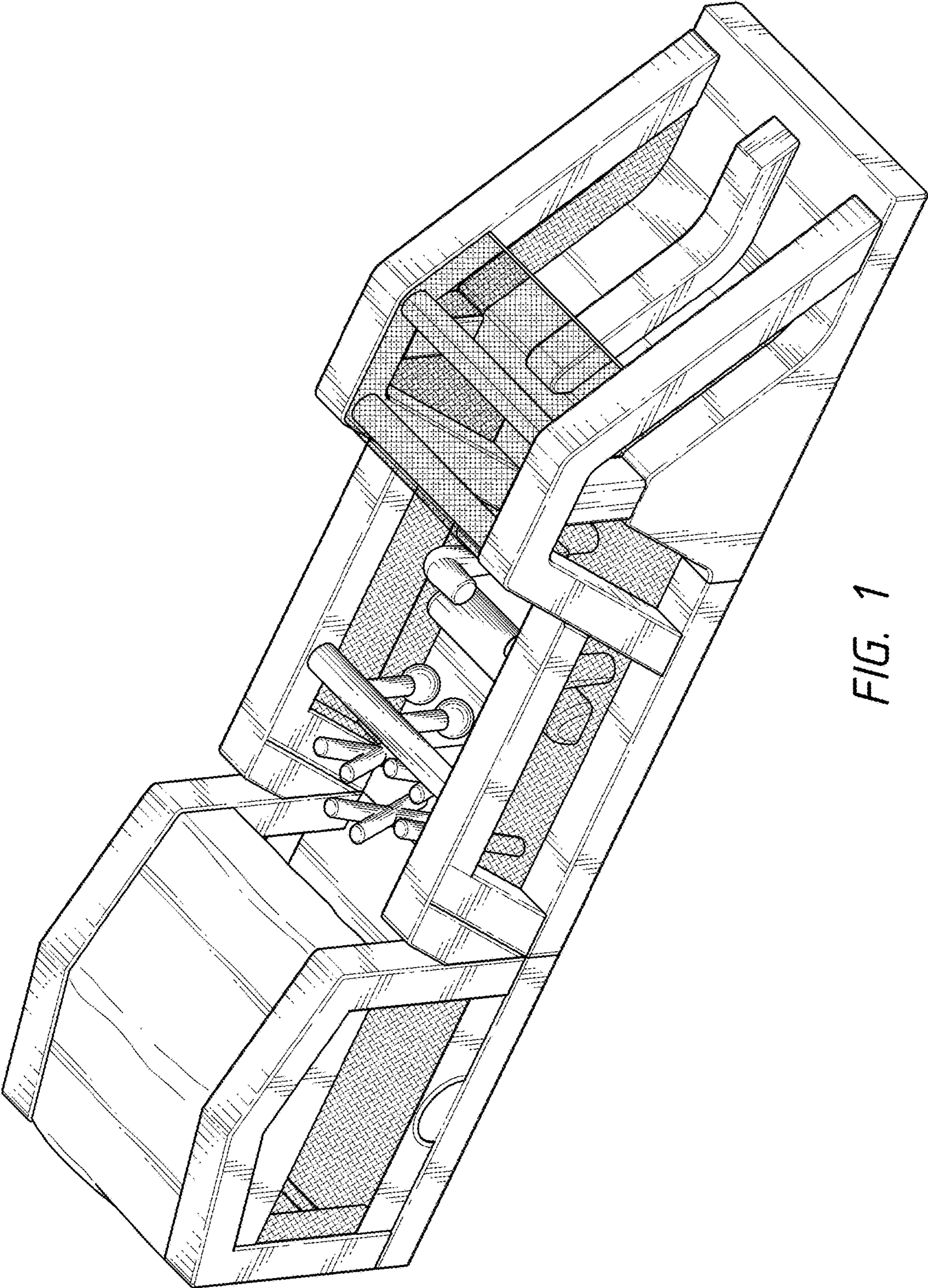


FIG. 1



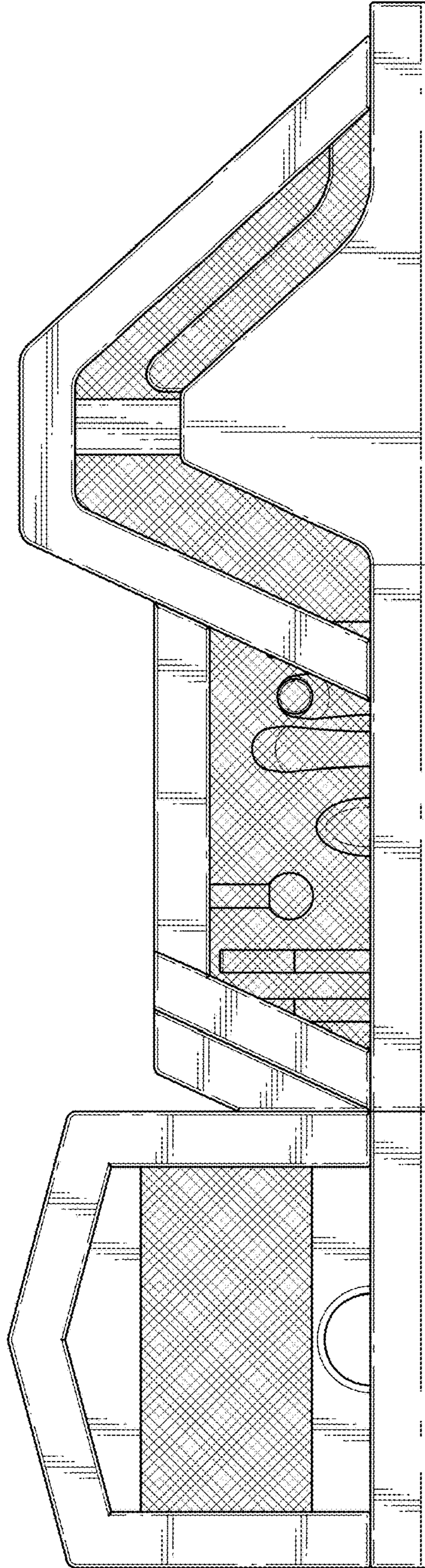


FIG. 2

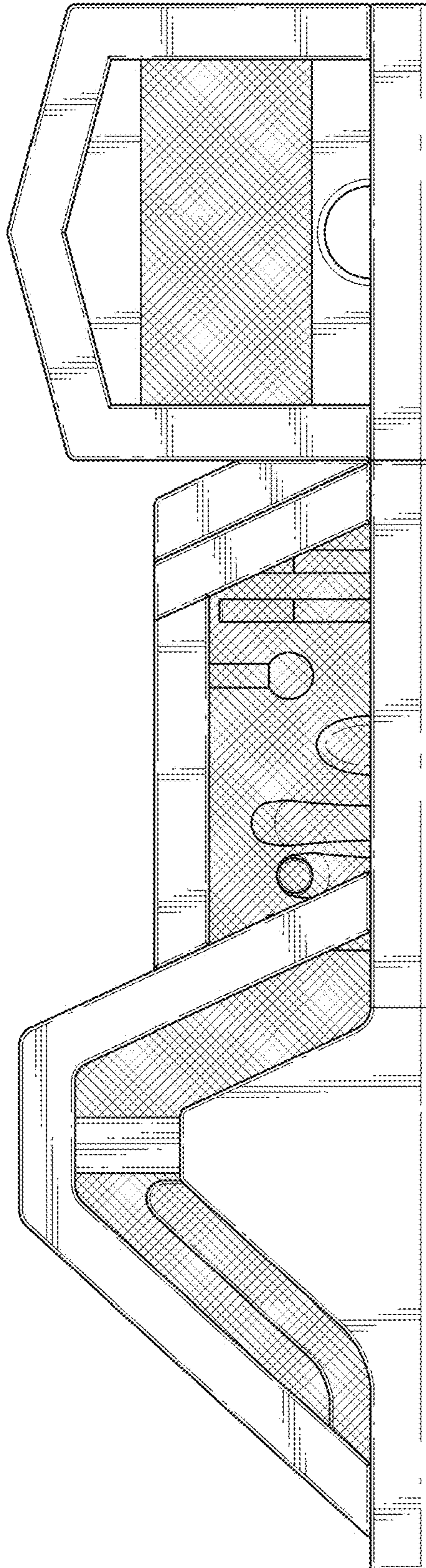


FIG. 3



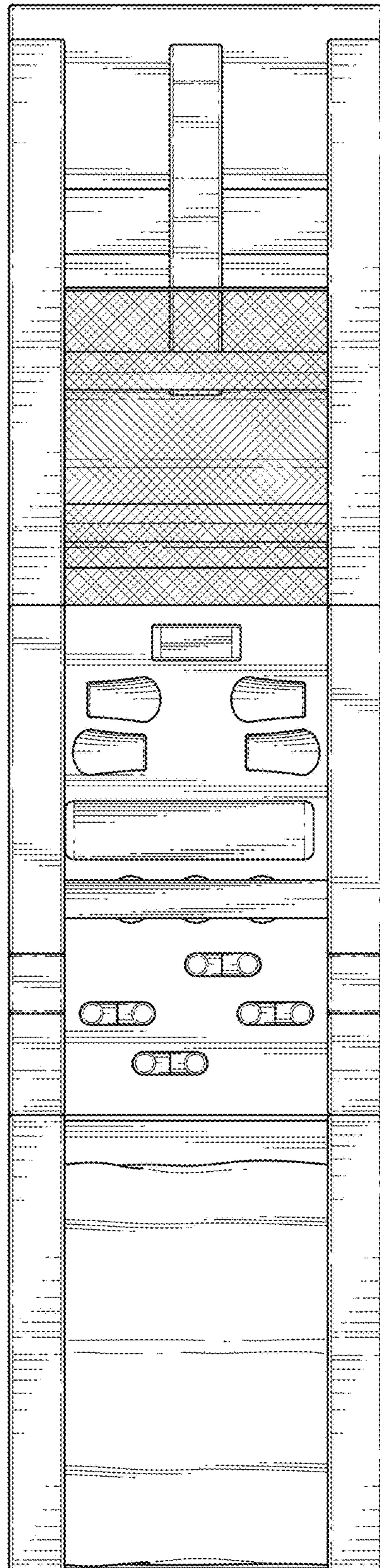


FIG. 4

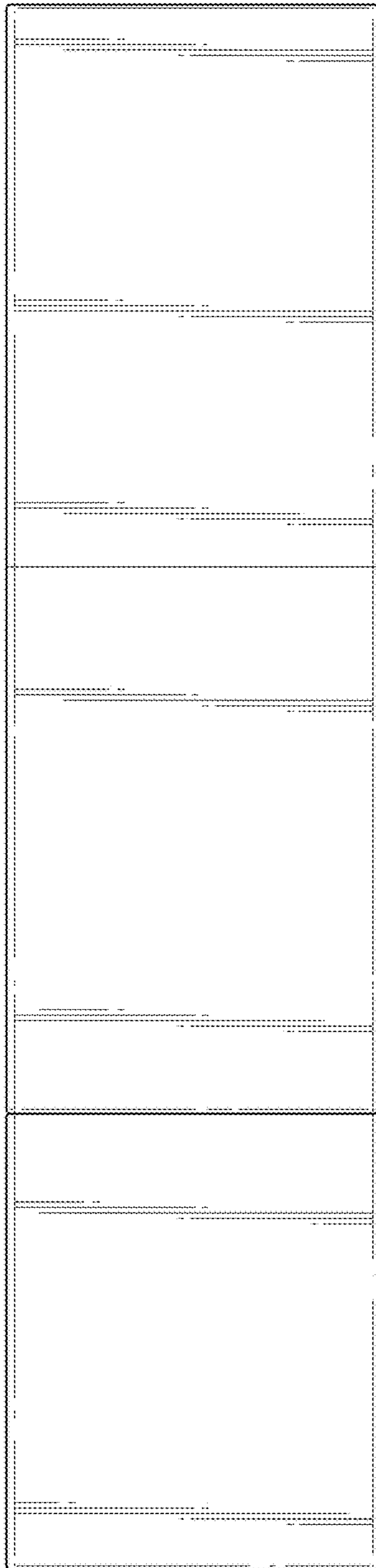


FIG. 5

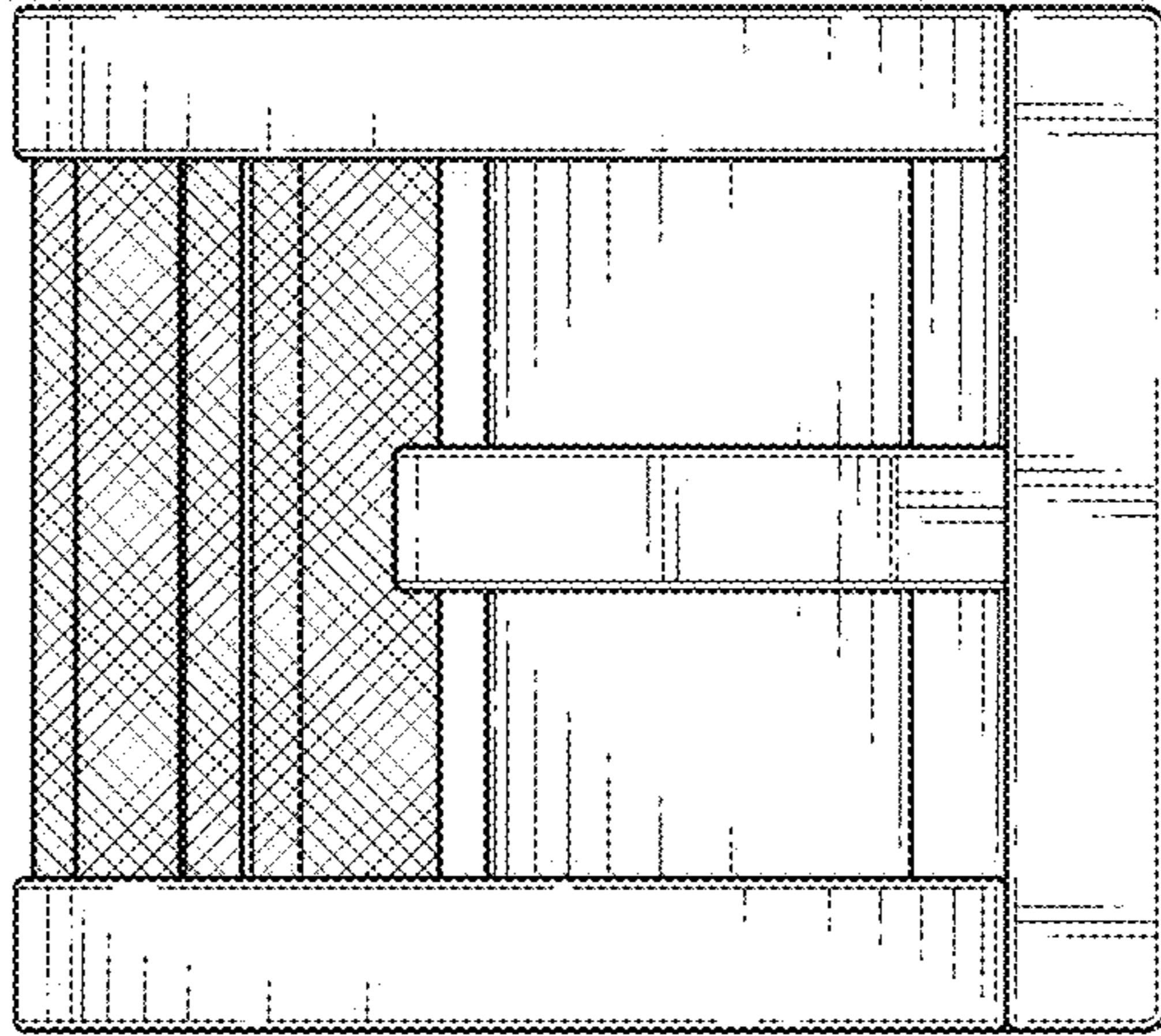


FIG. 7

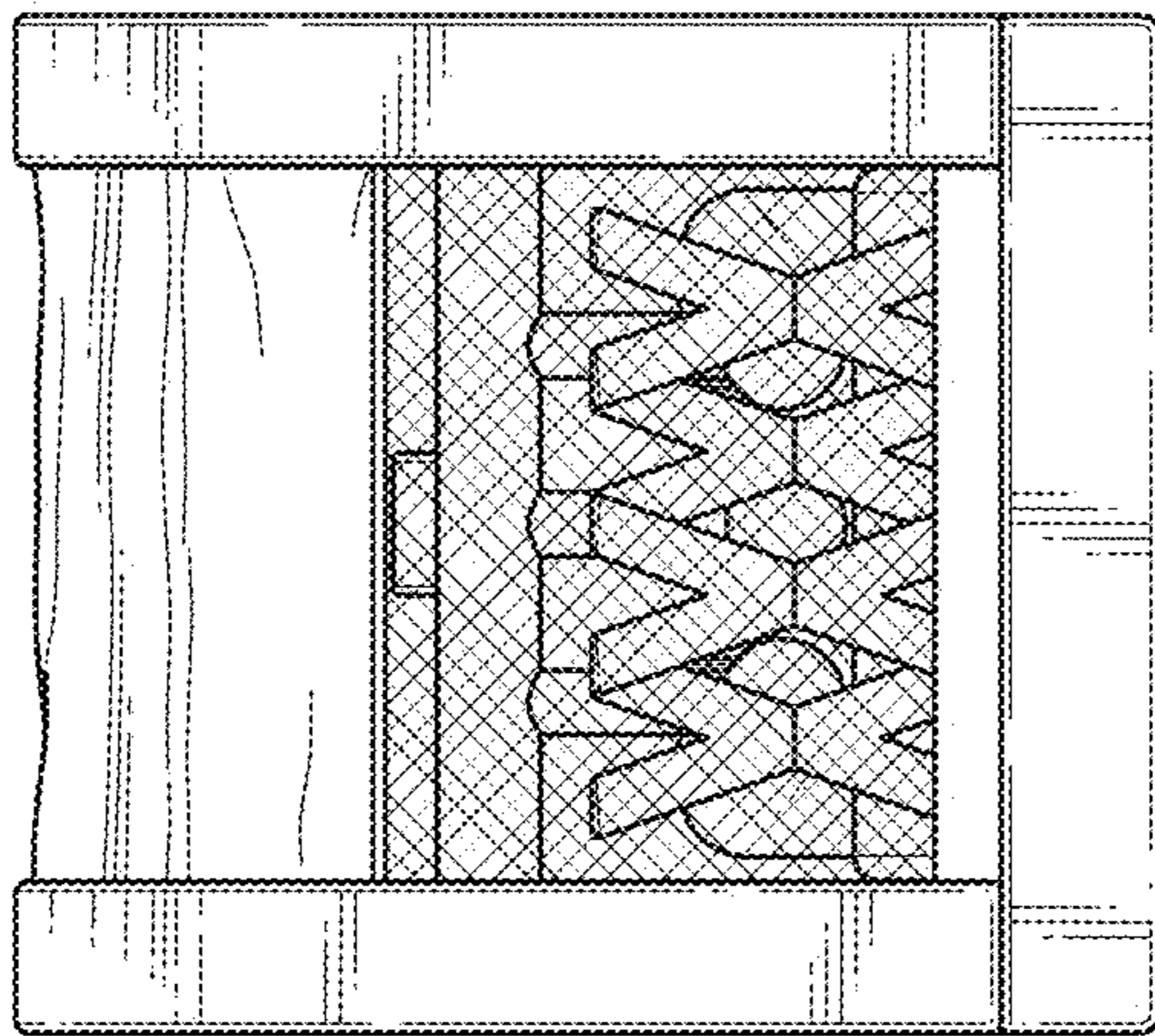


FIG. 6