



US00D824467S

(12) **United States Design Patent** (10) **Patent No.:** **US D824,467 S**  
**Rademacher et al.** (45) **Date of Patent:** **\*\* Jul. 31, 2018**

(54) **RECREATIONAL DEVICE**  
(71) Applicant: **Wibit Sports GmbH**, Bocholt (DE)  
(72) Inventors: **Romann Rademacher**, Bocholt (DE);  
**Robert Cirjak**, Bocholt (DE)  
(73) Assignee: **WIBIT SPORTS GMBH**, Bocholt  
(DE)  
(\*\*) Term: **15 Years**  
(21) Appl. No.: **29/589,950**  
(22) Filed: **Jan. 5, 2017**  
(30) **Foreign Application Priority Data**  
Jul. 6, 2016 (EM) ..... 003295674.0009  
Jul. 26, 2016 (EM) ..... 003295674-0008  
(51) **LOC (11) Cl.** ..... **21-02**  
(52) **U.S. Cl.**  
USPC ..... **D21/803**; D21/814  
(58) **Field of Classification Search**  
USPC ..... D21/646, 769, 770, 771, 778, 792, 801,  
D21/803, 804, 805, 806, 807, 808, 810,  
D21/814, 818, 819  
CPC ..... A41D 13/0518; A63B 2208/03; A63B  
2225/605; A63B 31/00; A63B 31/10;  
A63B 69/14; A63B 31/11; B63B 21/66;  
B63C 11/02  
See application file for complete search history.

(56) **References Cited**  
U.S. PATENT DOCUMENTS  
D327,198 S \* 6/1992 Erker, Jr. .... 5/639  
D328,631 S \* 8/1992 Frye ..... D21/769  
D340,965 S \* 11/1993 Lee ..... D21/818  
D349,743 S \* 8/1994 Hare ..... D12/316  
D417,481 S \* 12/1999 Schwartz ..... D12/401  
D440,621 S \* 4/2001 Coleman ..... D21/811

D451,567 S \* 12/2001 Gordon ..... D21/801  
D451,568 S \* 12/2001 Gordon ..... D21/801  
D514,652 S \* 2/2006 Auberger ..... D21/818  
D539,066 S \* 3/2007 Coquillet ..... D6/601  
D639,887 S \* 6/2011 Cirjak ..... D21/818  
D652,884 S \* 1/2012 VanElverdinghe ..... D21/801  
D661,765 S \* 6/2012 Galinski ..... A63G 31/12  
D21/826  
D702,790 S \* 4/2014 Cirjak ..... D21/818  
D708,752 S \* 7/2014 Oberst ..... D24/190  
D731,817 S \* 6/2015 Rogers ..... D6/601  
9,084,704 B2 \* 7/2015 Oberst ..... A61G 7/075  
D747,425 S \* 1/2016 Hsu ..... D21/803  
D753,312 S \* 4/2016 Long ..... D24/186

**OTHER PUBLICATIONS**

<https://www.wibitsports.com/open-water/all-products/229/rodeslide>—Retrieved Dec. 17, 2017.\*  
<https://www.youtube.com/watch?v=RoEekt0Cf9M>—Published Oct. 6, 2016.\*

\* cited by examiner

*Primary Examiner* — Manpreet S Matharu  
*Assistant Examiner* — Mojtaba Tehrani  
(74) *Attorney, Agent, or Firm* — Arent Fox LLP

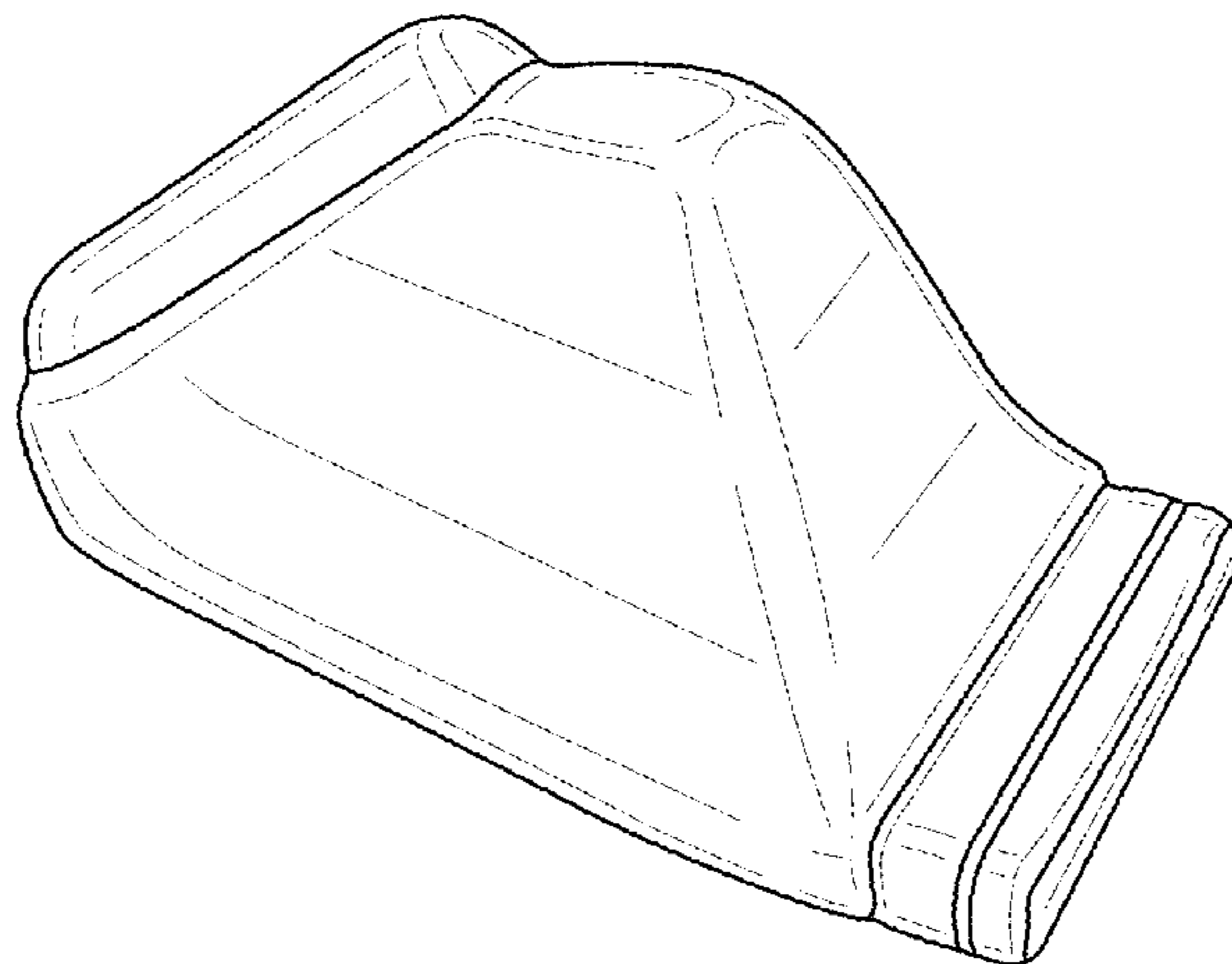
(57) **CLAIM**

The ornamental design for a recreational device, as shown and described.

**DESCRIPTION**

FIG. 1 is perspective view of the recreational device showing our new design;  
FIG. 2 is a right side view of the design shown in FIG. 1;  
FIG. 3 is a left side view of the design shown in FIG. 1;  
FIG. 4 is a front view of the design shown in FIG. 1;  
FIG. 5 is a back view of the design shown in FIG. 1;  
FIG. 6 is a top view of the design shown in FIG. 1; and,  
FIG. 7 is a bottom view of the design shown in FIG. 1.

**1 Claim, 7 Drawing Sheets**



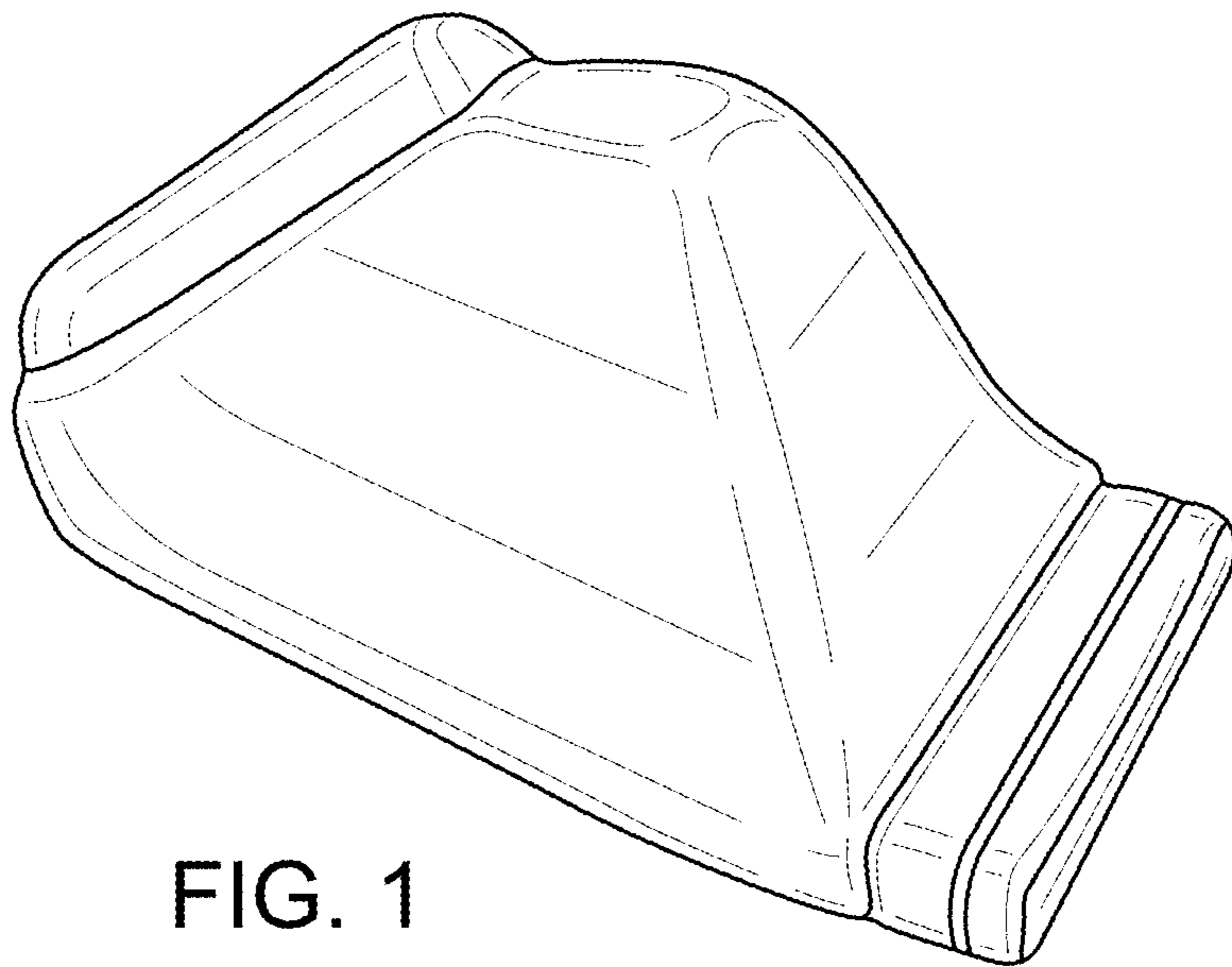


FIG. 1

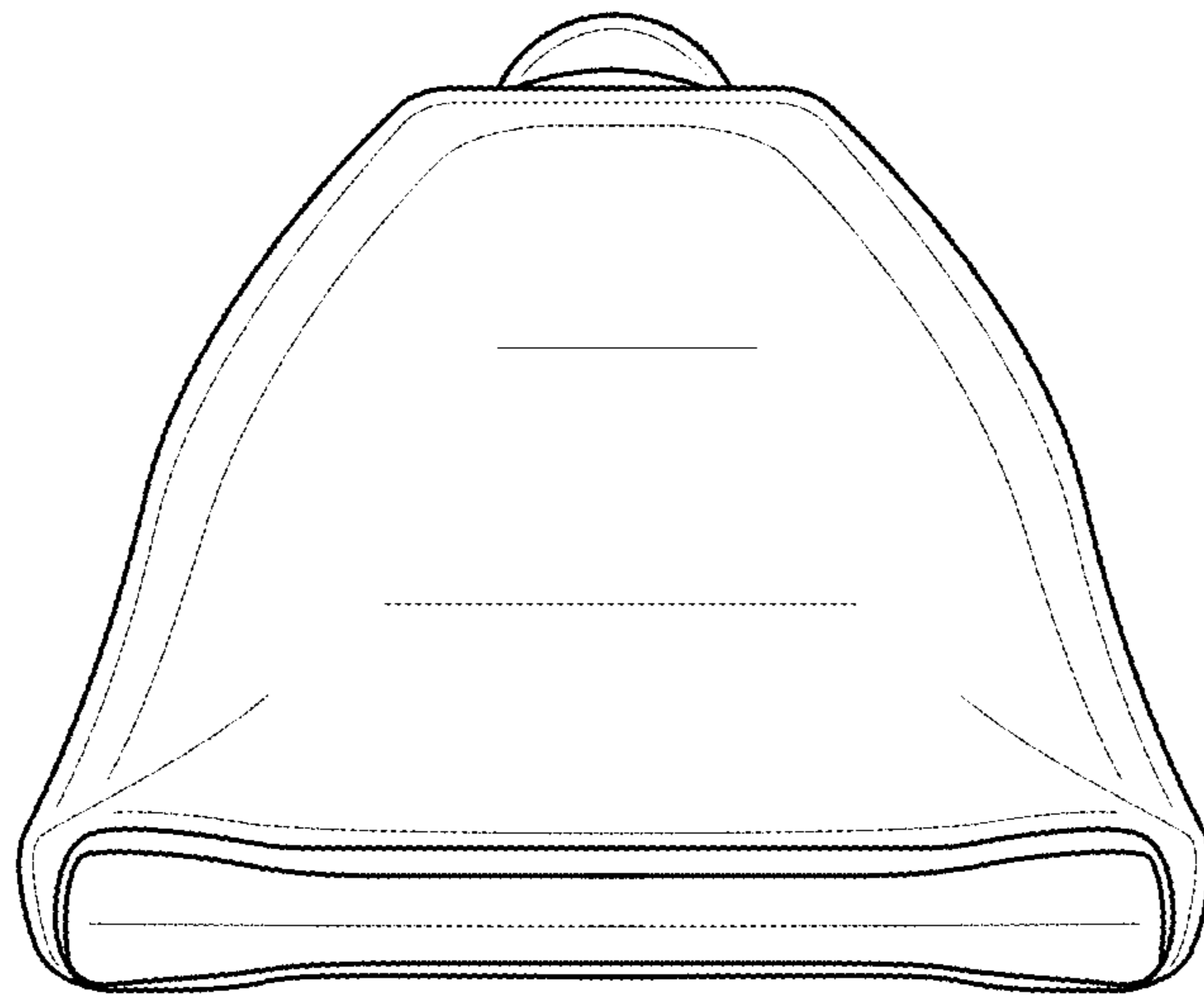


FIG. 2

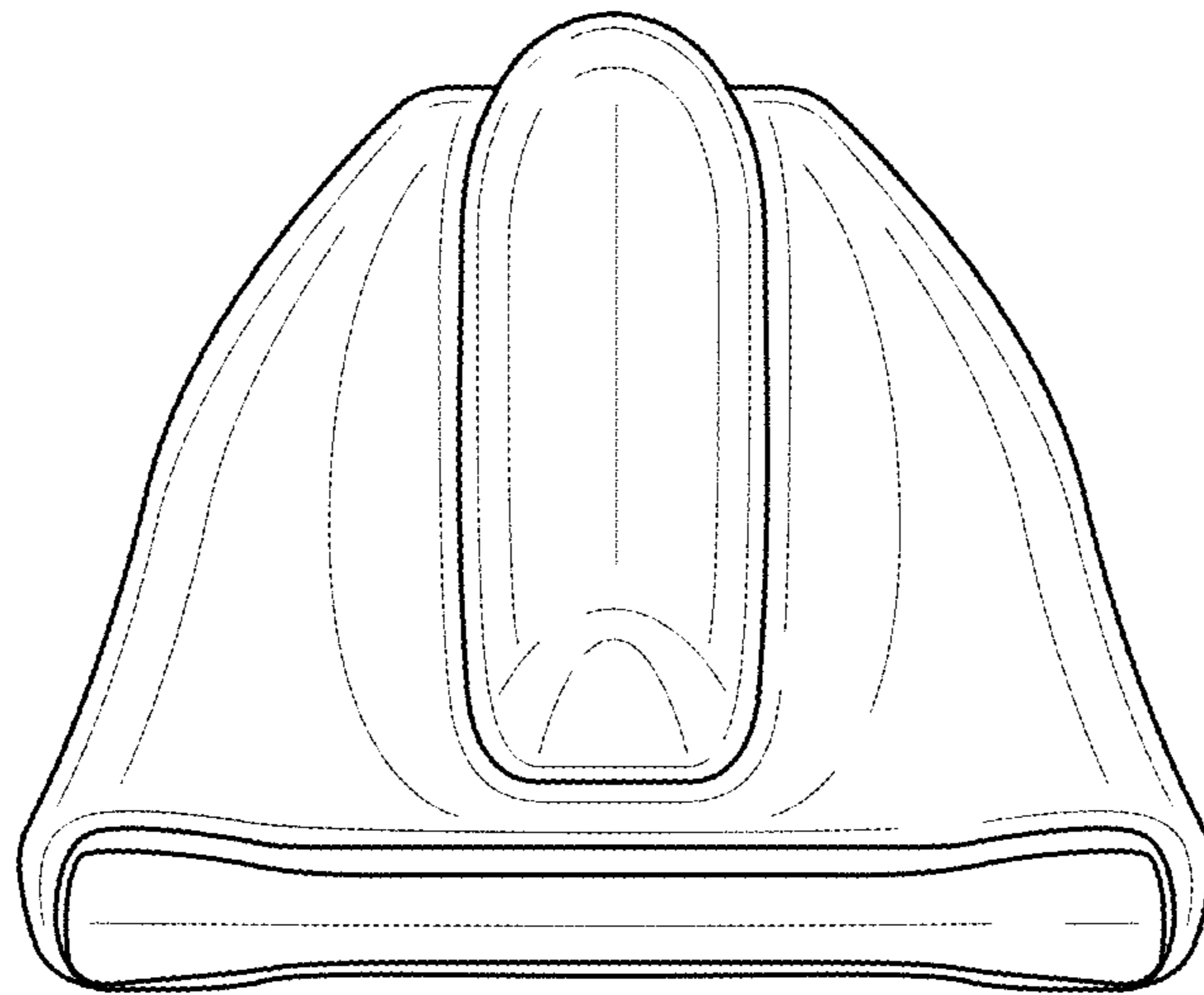


FIG. 3

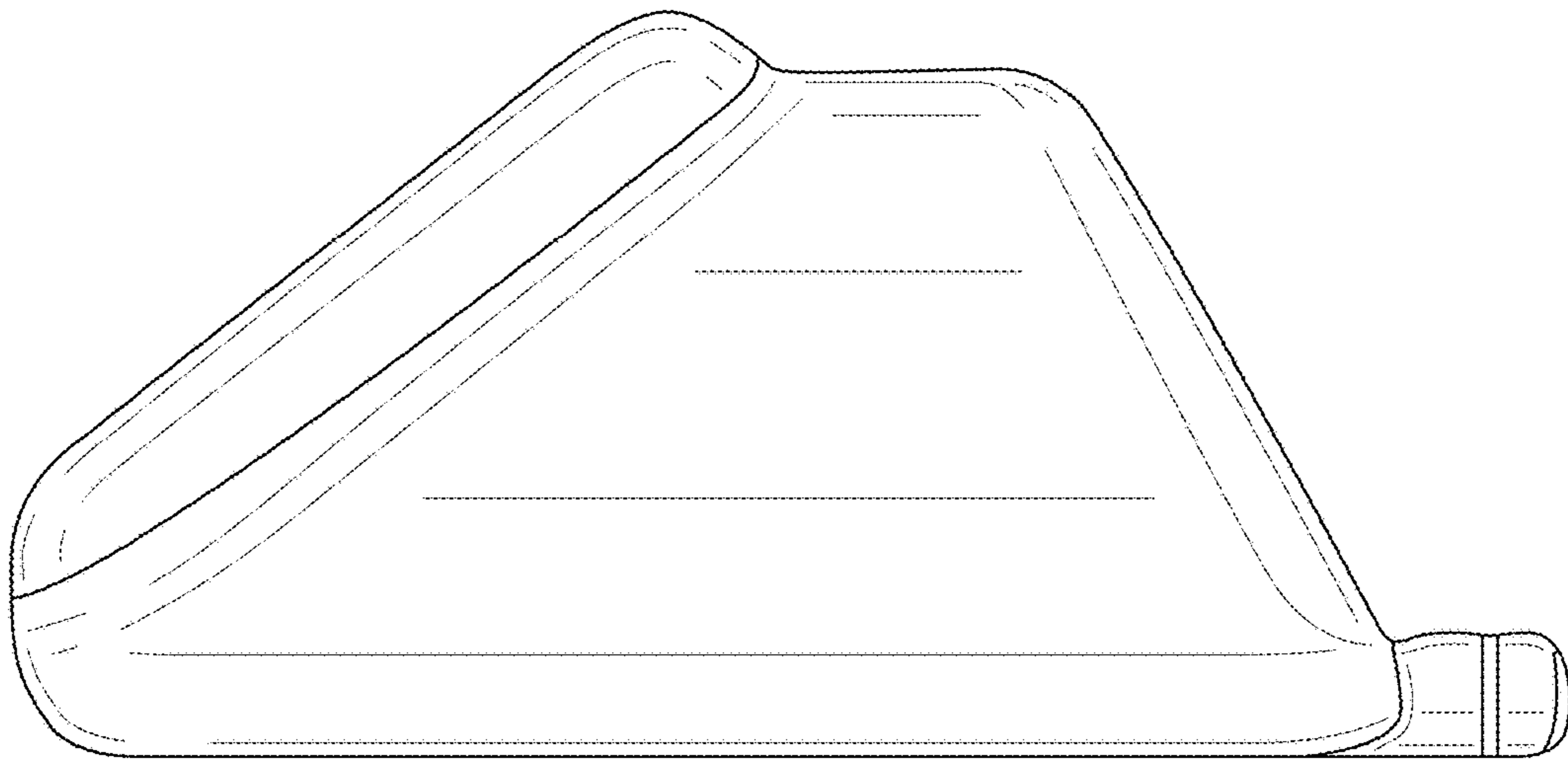


FIG. 4

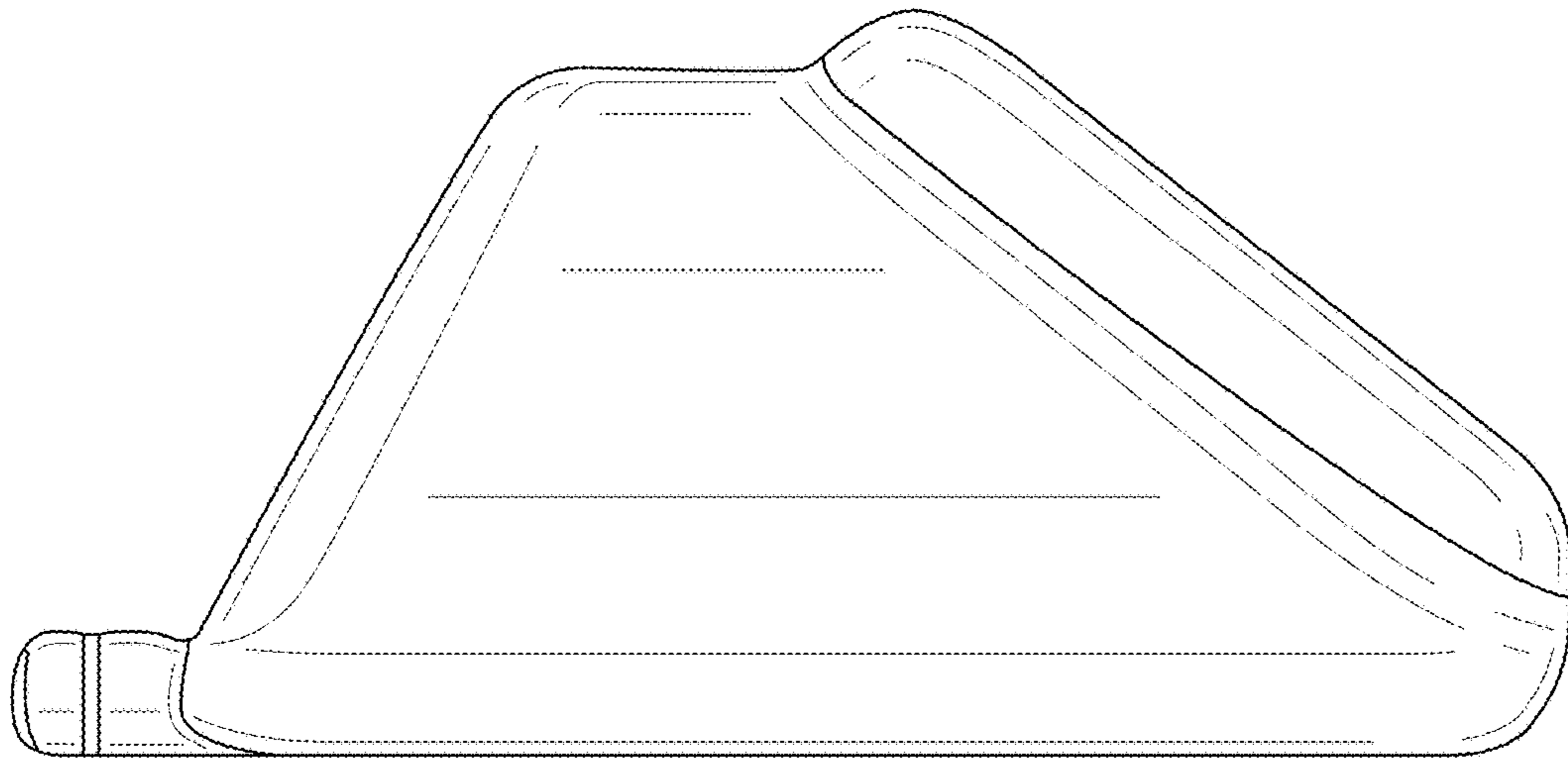


FIG. 5

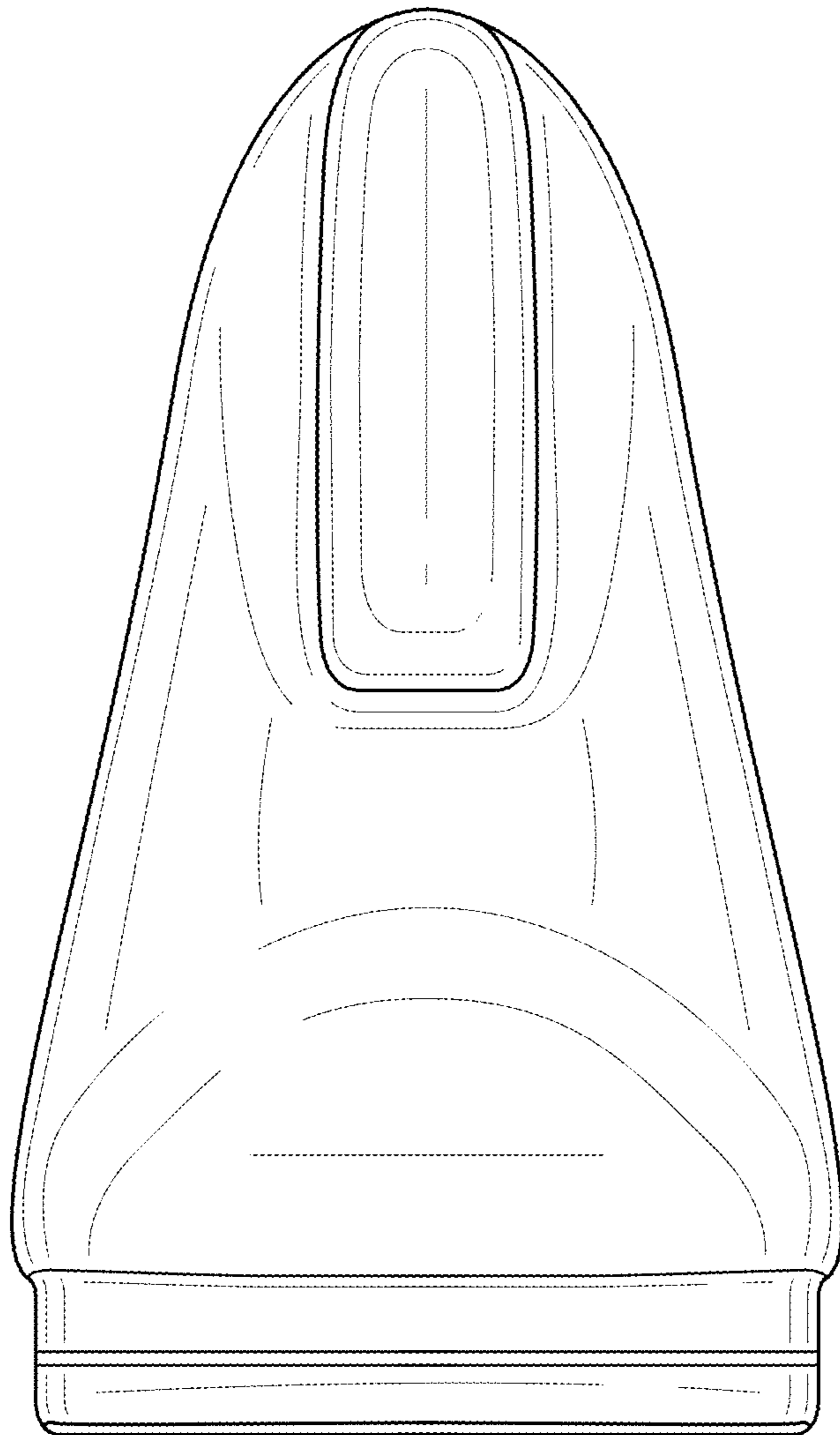


FIG. 6



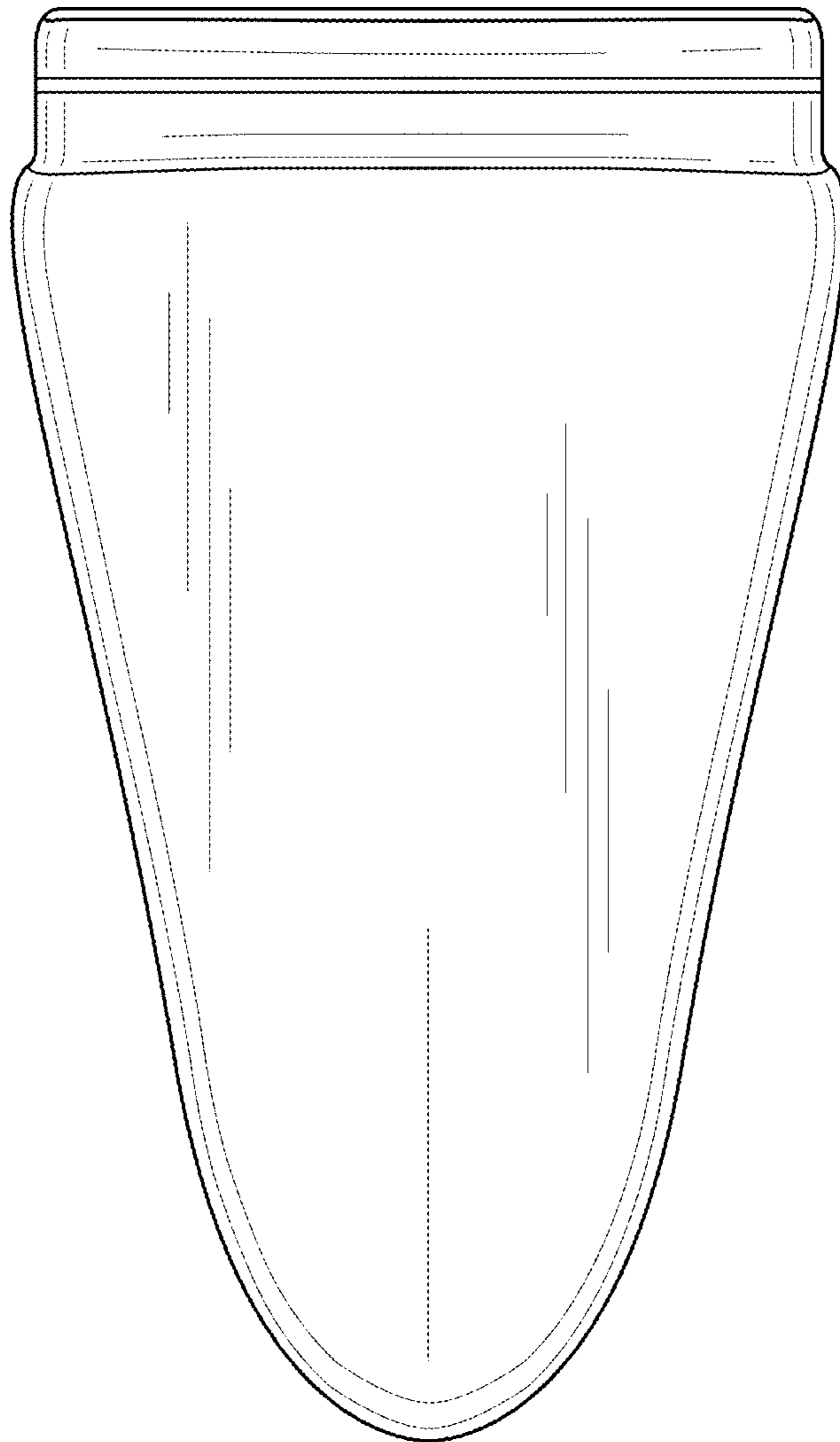


FIG. 7



UNITED STATES PATENT AND TRADEMARK OFFICE  
**CERTIFICATE OF CORRECTION**

PATENT NO. : D824,467 S  
APPLICATION NO. : 29/589950  
DATED : July 31, 2018  
INVENTOR(S) : Romann Rademacher et al.

Page 1 of 1

It is certified that error appears in the above-identified patent and that said Letters Patent is hereby corrected as shown below:

On the Title Page

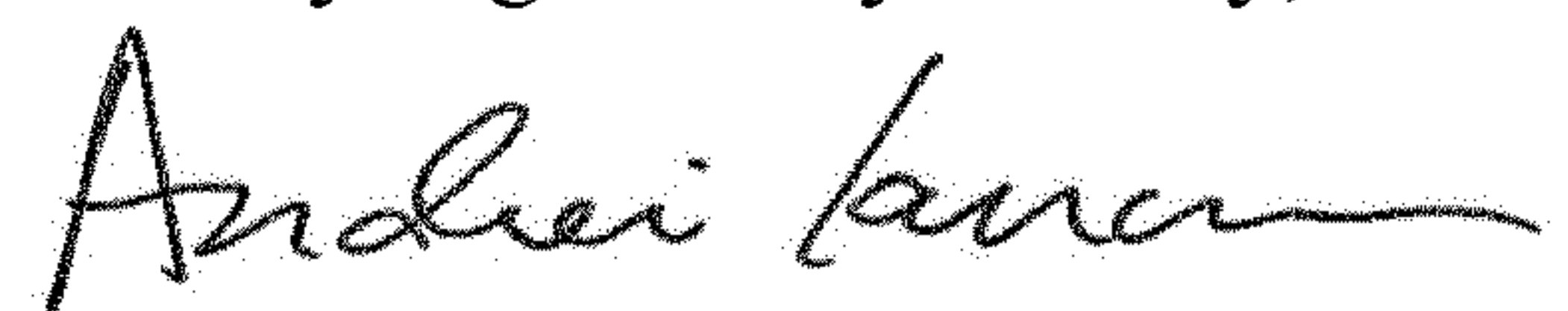
(30) Foreign Application Priority Data reads:

Jul. 26, 2016 (EM) 003295674-0008

Should read:

Jul. 6, 2016 (EM) 003295674-0008

Signed and Sealed this  
Twenty-eighth Day of May, 2019



Andrei Iancu  
*Director of the United States Patent and Trademark Office*