



US00D824465S

(12) **United States Design Patent**
Zwart

(10) **Patent No.:** **US D824,465 S**

(45) **Date of Patent:** **** *Jul. 31, 2018**

(54) **DIVOT REPAIR TOOL**

(71) Applicant: **Michel Zwart**, Kwai Chung (HK)

(72) Inventor: **Michel Zwart**, Kwai Chung (HK)

(73) Assignee: **Sandgroup International Ltd.**, Kwai Chung (HK)

(*) Notice: This patent is subject to a terminal disclaimer.

(**) Term: **15 Years**

(21) Appl. No.: **29/602,010**

(22) Filed: **Apr. 27, 2017**

(51) **LOC (11) Cl.** **21-02**

(52) **U.S. Cl.**
USPC **D21/793**

(58) **Field of Classification Search**
USPC D21/789, 793-794
CPC . A63B 57/00; A63B 57/0037; A63B 57/0032;
A63B 57/50; A63B 57/12; A63B 57/16;
A63B 57/20; A63B 57/30; A63B 57/35
See application file for complete search history.

(56) **References Cited**

U.S. PATENT DOCUMENTS

- 5,405,133 A * 4/1995 Upton A63B 57/50
172/378
- D361,815 S * 8/1995 Fazekas D21/793
- 5,449,169 A * 9/1995 Hardin A63B 57/50
473/408
- D369,637 S * 5/1996 Digerness D21/793
- 5,562,553 A * 10/1996 Digerness A63B 57/50
473/406
- 6,162,137 A * 12/2000 Jones A24F 13/26
30/109

- D471,944 S * 3/2003 Freitas D21/793
- 6,800,042 B2 * 10/2004 Braithwaite A63B 57/207
473/406
- D500,828 S * 1/2005 Pace D21/793
- 6,837,807 B1 * 1/2005 Kerr A63B 57/50
473/286
- D513,632 S * 1/2006 Sokolowski D21/793
- D570,946 S * 6/2008 Oas D21/793
- D651,272 S * 12/2011 Corcoran D21/793
- D669,148 S * 10/2012 Dalton B25C 7/00
D21/793
- D669,952 S * 10/2012 Zwart D21/793
- D699,804 S * 2/2014 Zwart D21/793
- D700,262 S * 2/2014 Zwart D21/793
- D700,263 S * 2/2014 Zwart D21/793

* cited by examiner

Primary Examiner — Mitchell Siegel

(74) *Attorney, Agent, or Firm* — Jason T. Daniel, Esq.;
Daniel Law Offices, P.A.

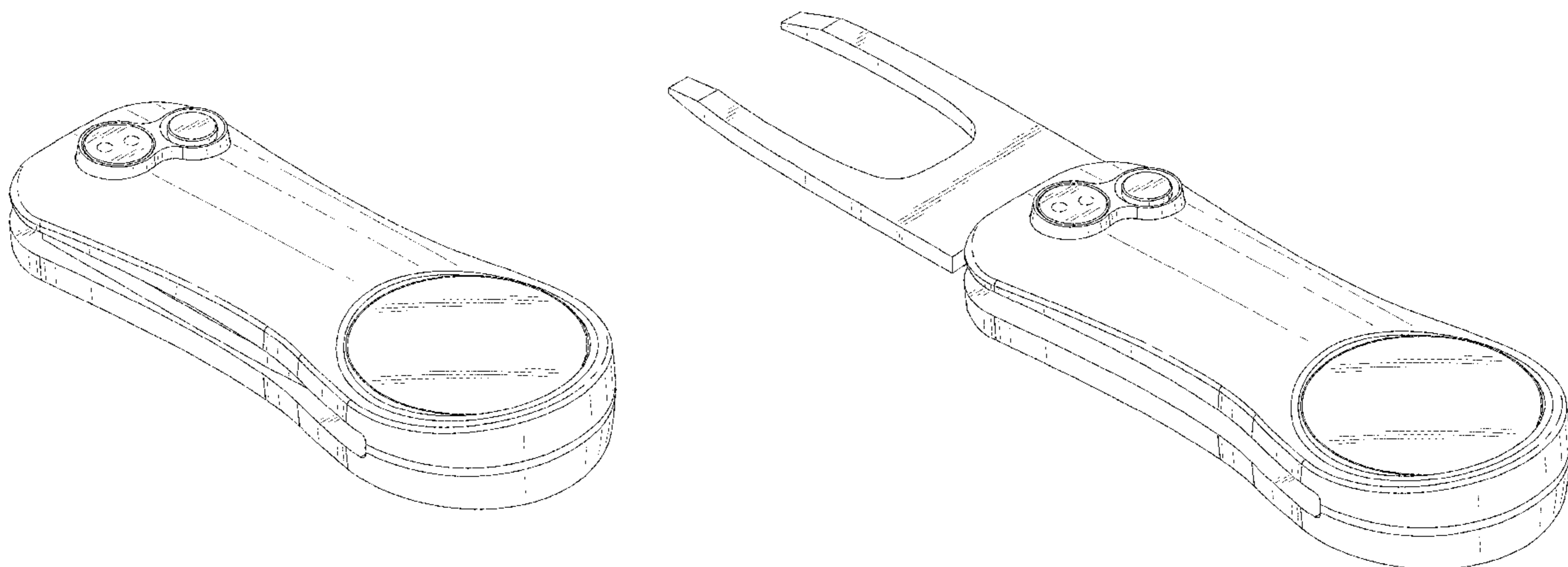
(57) **CLAIM**

The ornamental design for a divot repair tool, as shown and described.

DESCRIPTION

FIG. 1 is a front perspective view thereof in a closed position,
FIG. 2 is a front side elevational view thereof,
FIG. 3 is a back side elevational view thereof,
FIG. 4 is a left side elevational view thereof,
FIG. 5 is a right side elevational view thereof,
FIG. 6 is a top side elevational view thereof,
FIG. 7 is a bottom side elevational view thereof; and,
FIG. 8 is a front perspective view thereof in an open position.

1 Claim, 4 Drawing Sheets



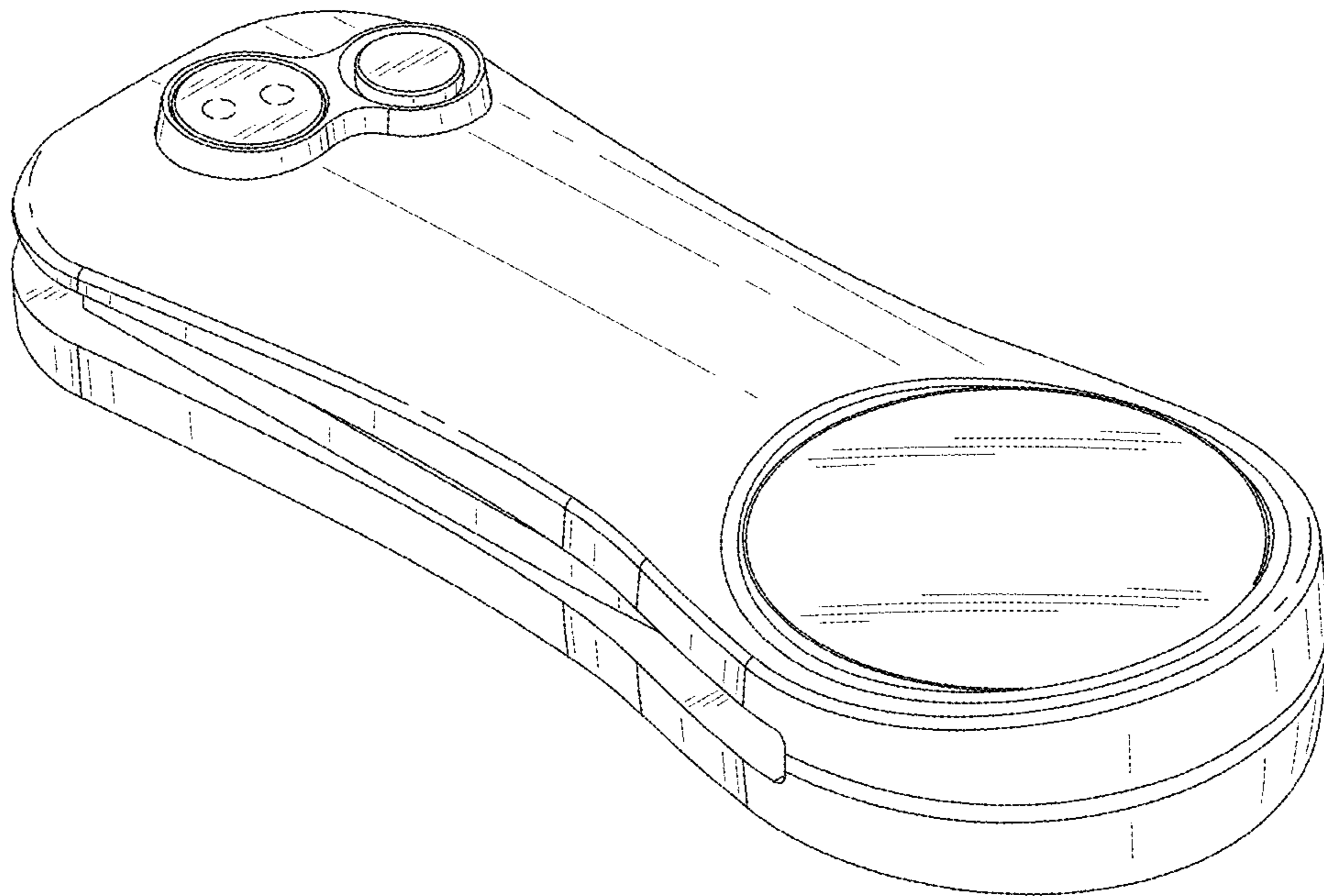


FIG. 1

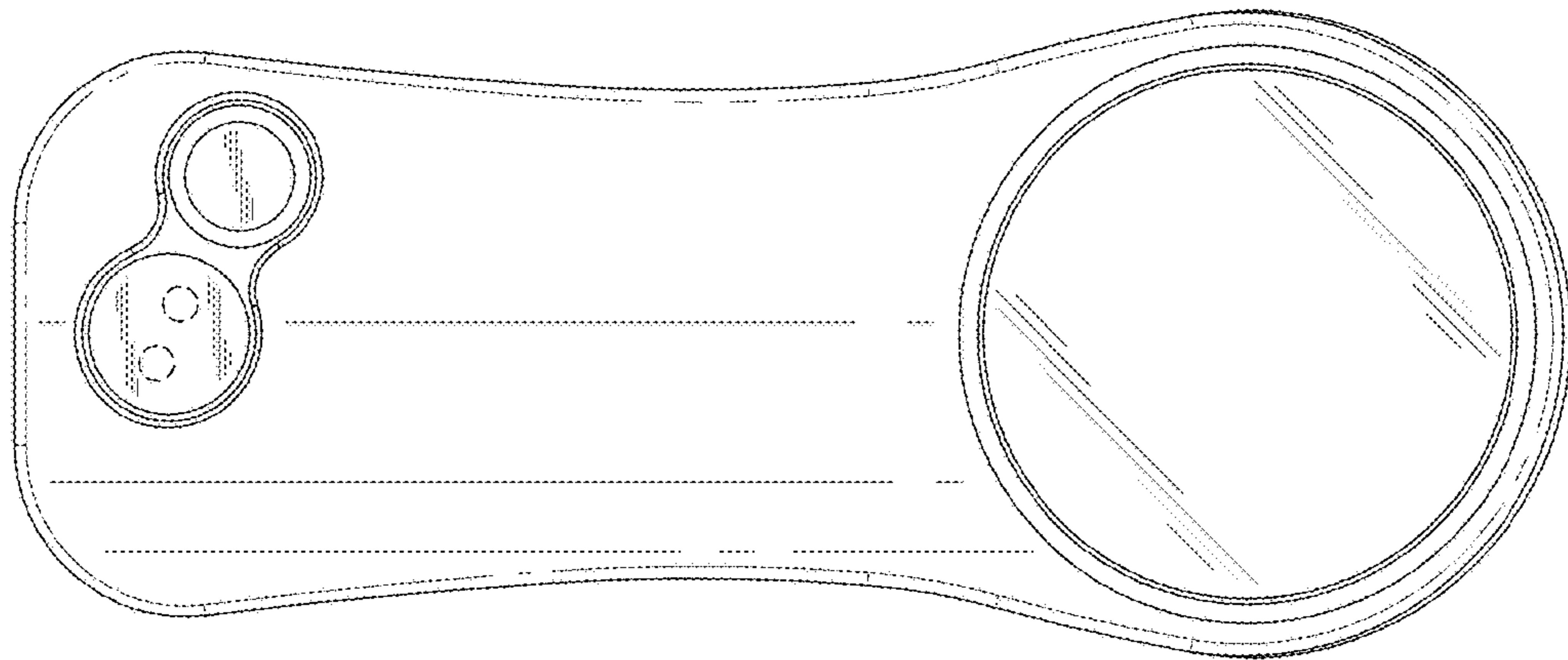


FIG. 2

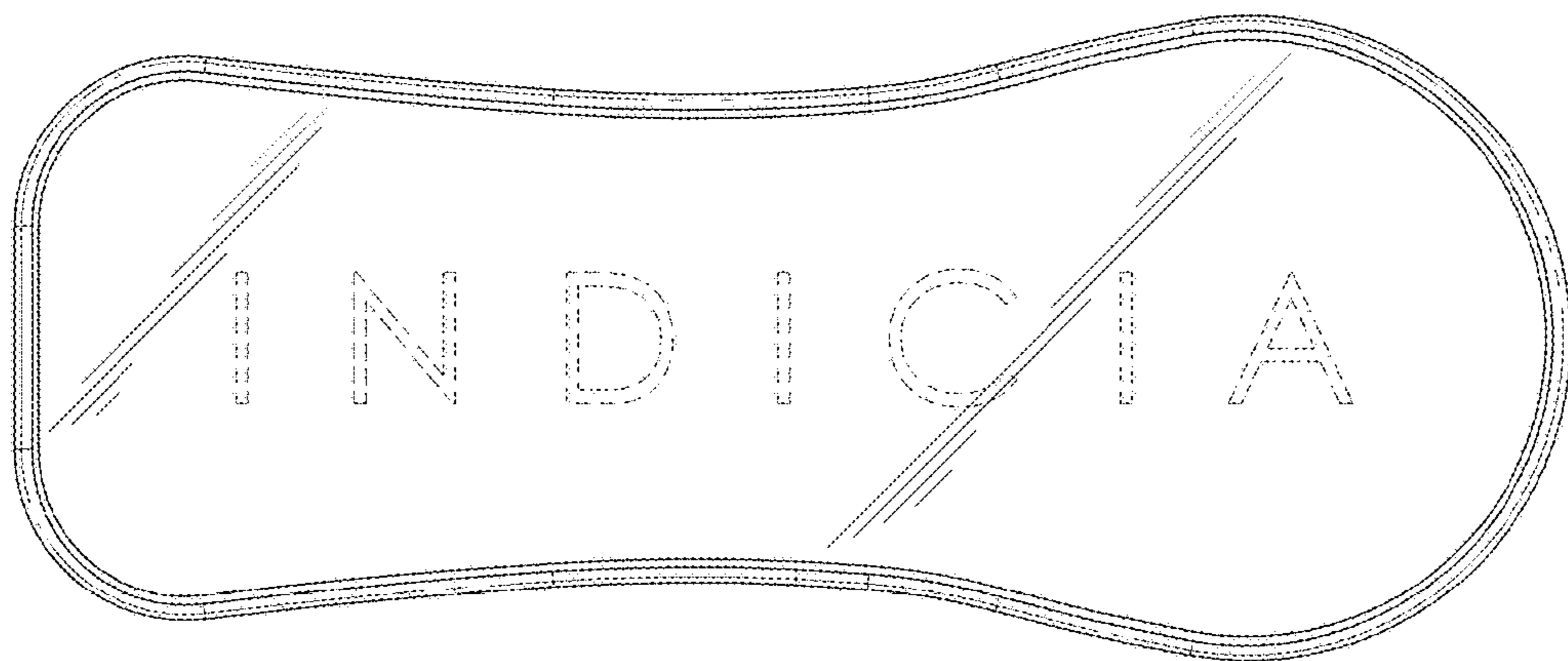


FIG. 3

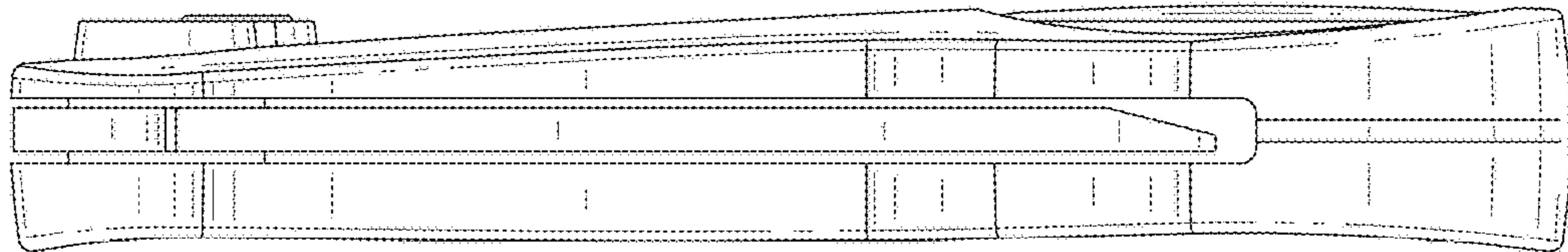


FIG. 4

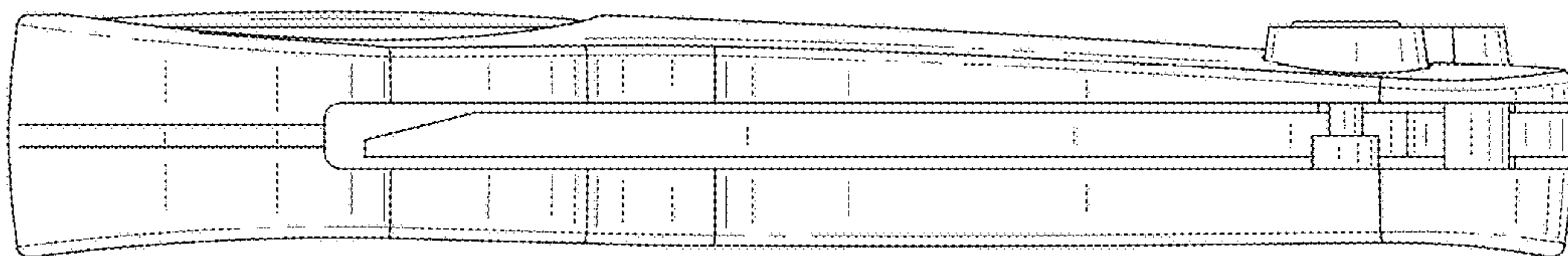


FIG. 5

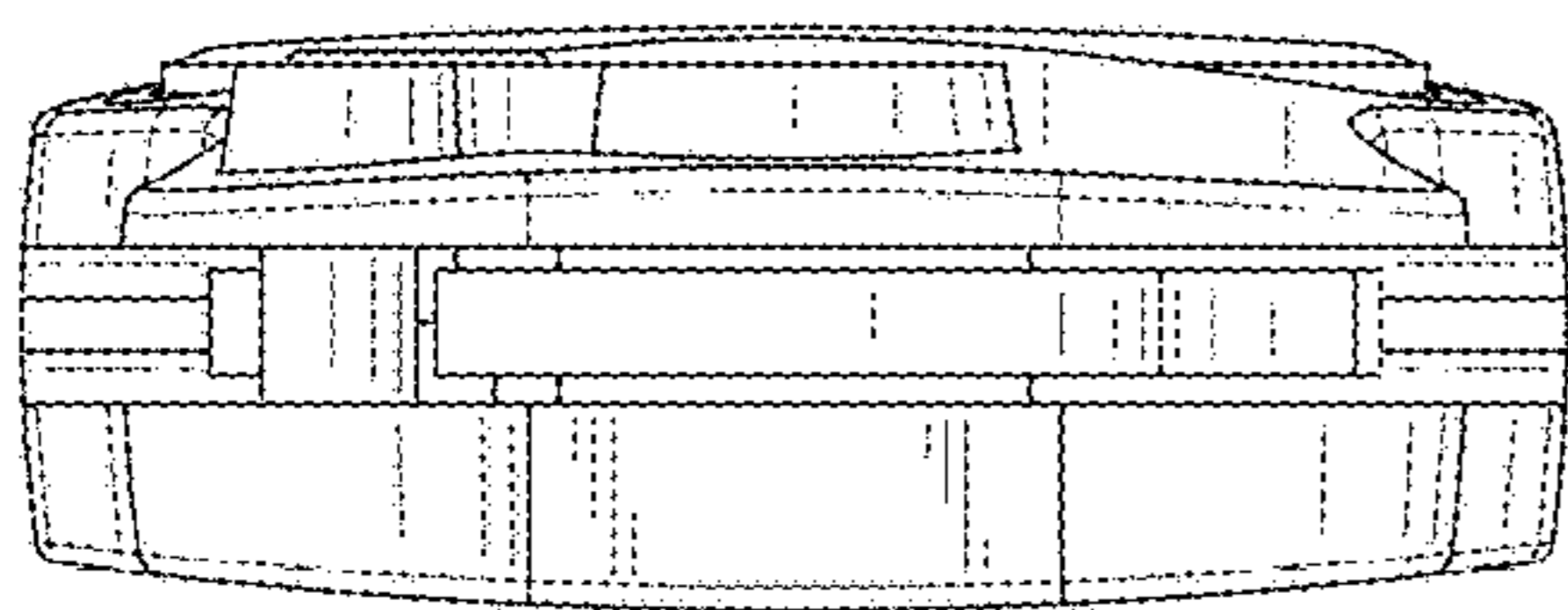


FIG. 6

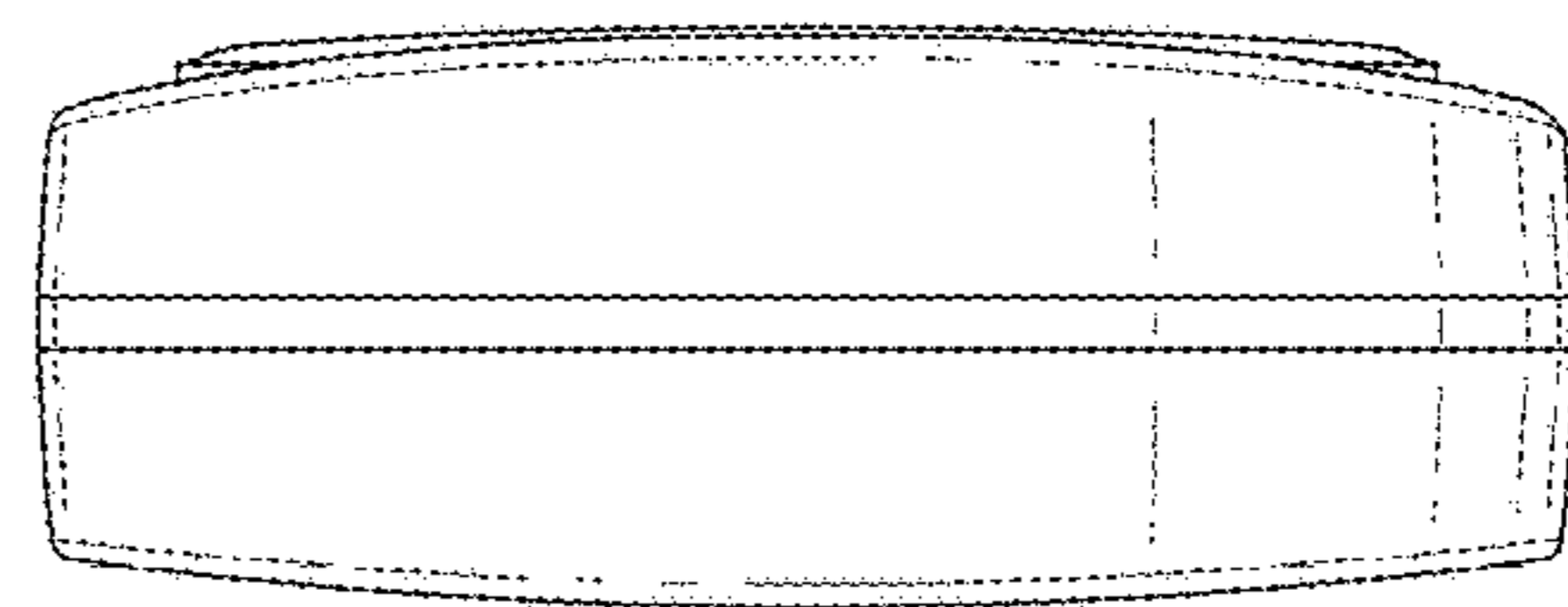


FIG. 7

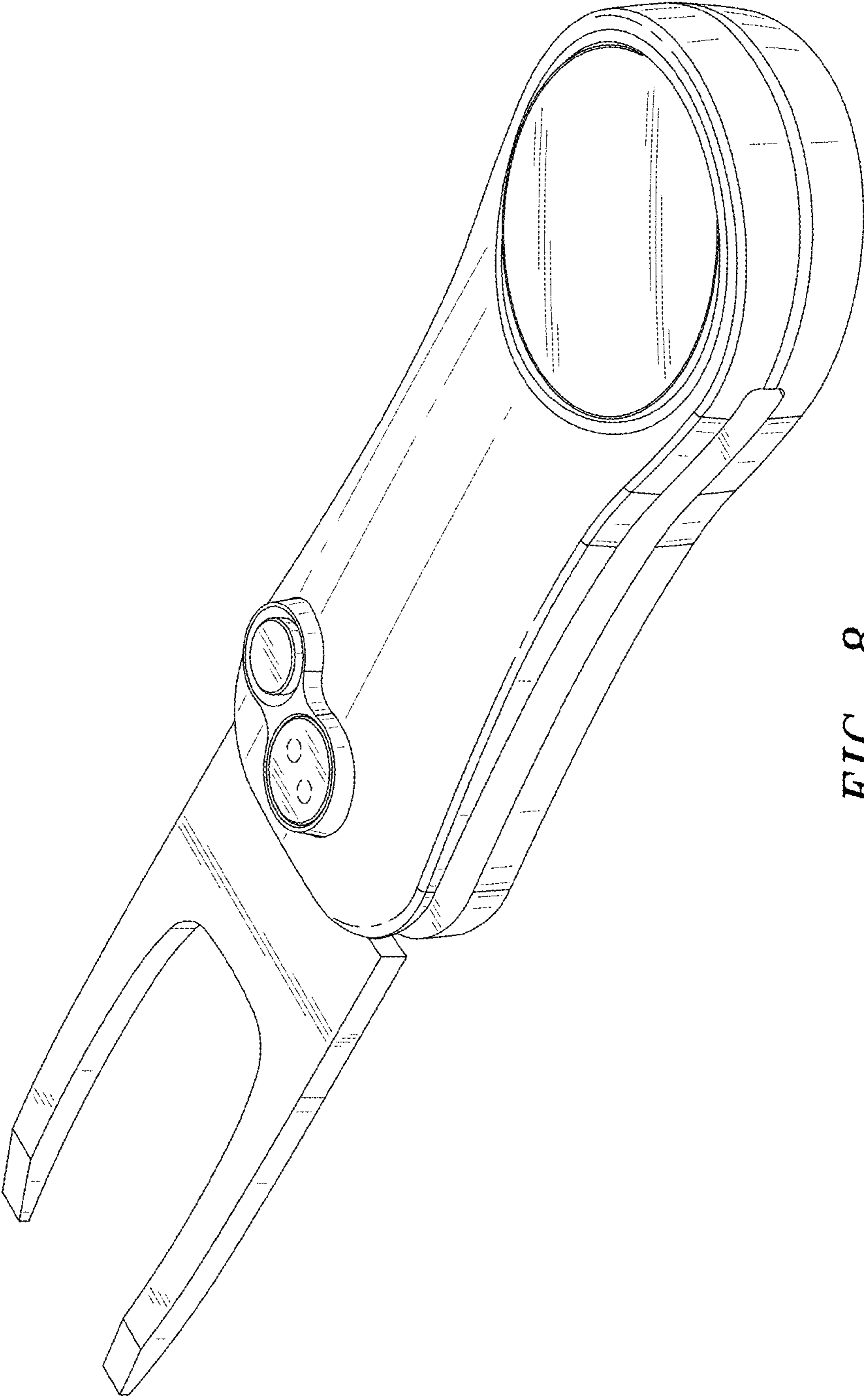


FIG. 8