



US00D824464S

(12) **United States Design Patent**
Garner et al.

(10) **Patent No.:** **US D824,464 S**
(45) **Date of Patent:** **** Jul. 31, 2018**

(54) **SKATEBOARD**
(71) Applicants: **Rhakeem Garner**, New Haven, CT
(US); **Allen Garner**, Stratford, CT (US)
(72) Inventors: **Rhakeem Garner**, New Haven, CT
(US); **Allen Garner**, Stratford, CT (US)

(**) Term: **15 Years**

(21) Appl. No.: **29/595,979**

(22) Filed: **Mar. 3, 2017**

(51) **LOC (11) Cl.** **21-02**

(52) **U.S. Cl.**
USPC **D21/765**

(58) **Field of Classification Search**
USPC D21/419, 421, 423, 426, 662, 760, 765,
D21/766, 769, 771, 776, 803; D12/1;
D34/23, 28
CPC A63C 17/01; A63C 17/011; A63C 17/012;
A63C 17/014; A63C 17/015; A63C
17/02; A63C 17/26; A63C 5/003; B60Q
1/326; B62K 3/001
See application file for complete search history.

(56) **References Cited**

U.S. PATENT DOCUMENTS

D413,954 S * 9/1999 Gerlach D21/765
D608,851 S * 1/2010 Hillman D21/765

8,128,108 B2 * 3/2012 Madrid A63C 17/26
280/87.041
D692,079 S * 10/2013 Mackay D21/765
D724,166 S * 3/2015 Hamborg D21/765
D784,470 S * 4/2017 Kesselman D21/765
2006/0049594 A1 * 3/2006 Yamaguchi A63C 17/0086
280/87.042

* cited by examiner

Primary Examiner — Cynthia M Chin

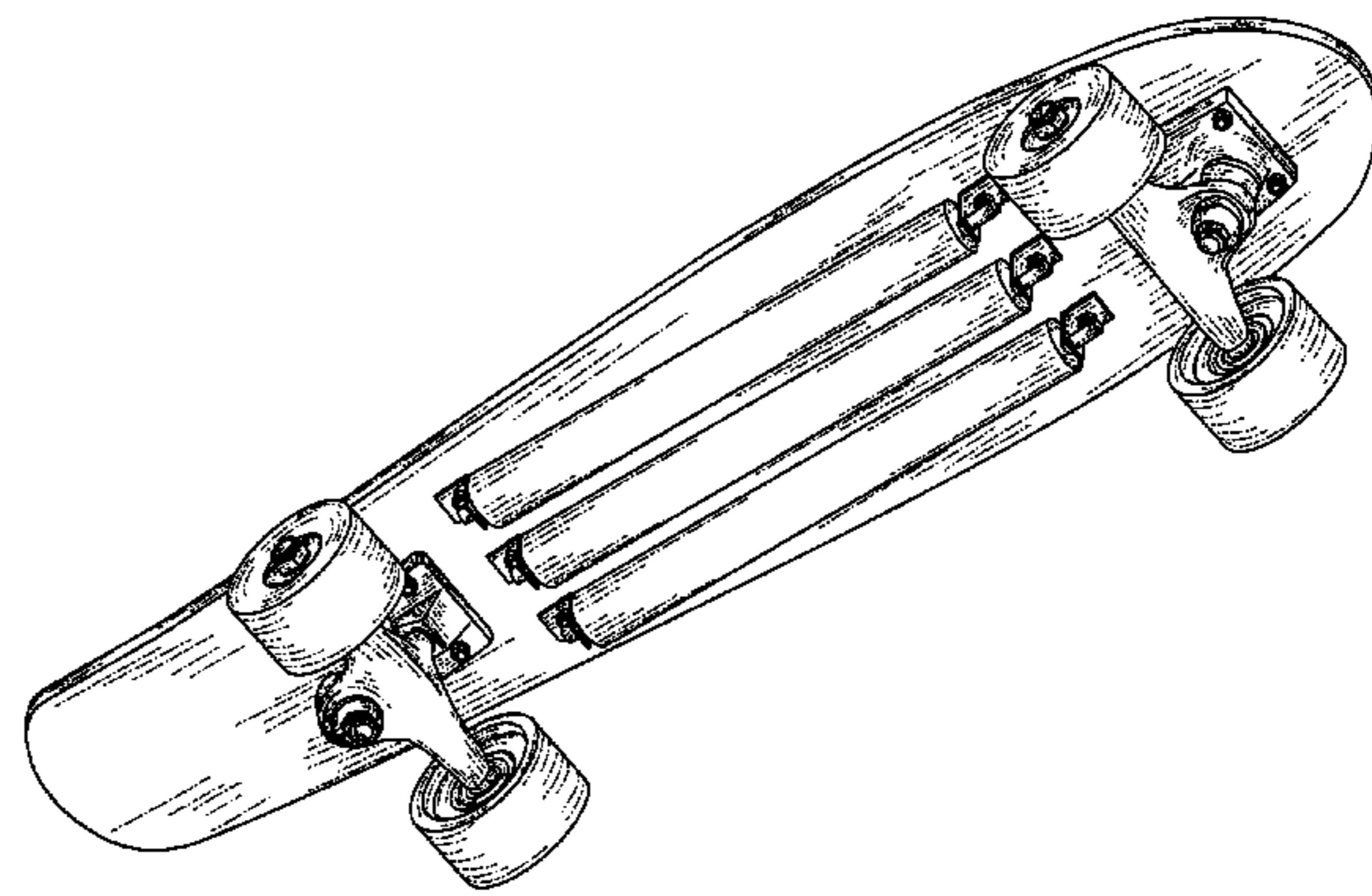
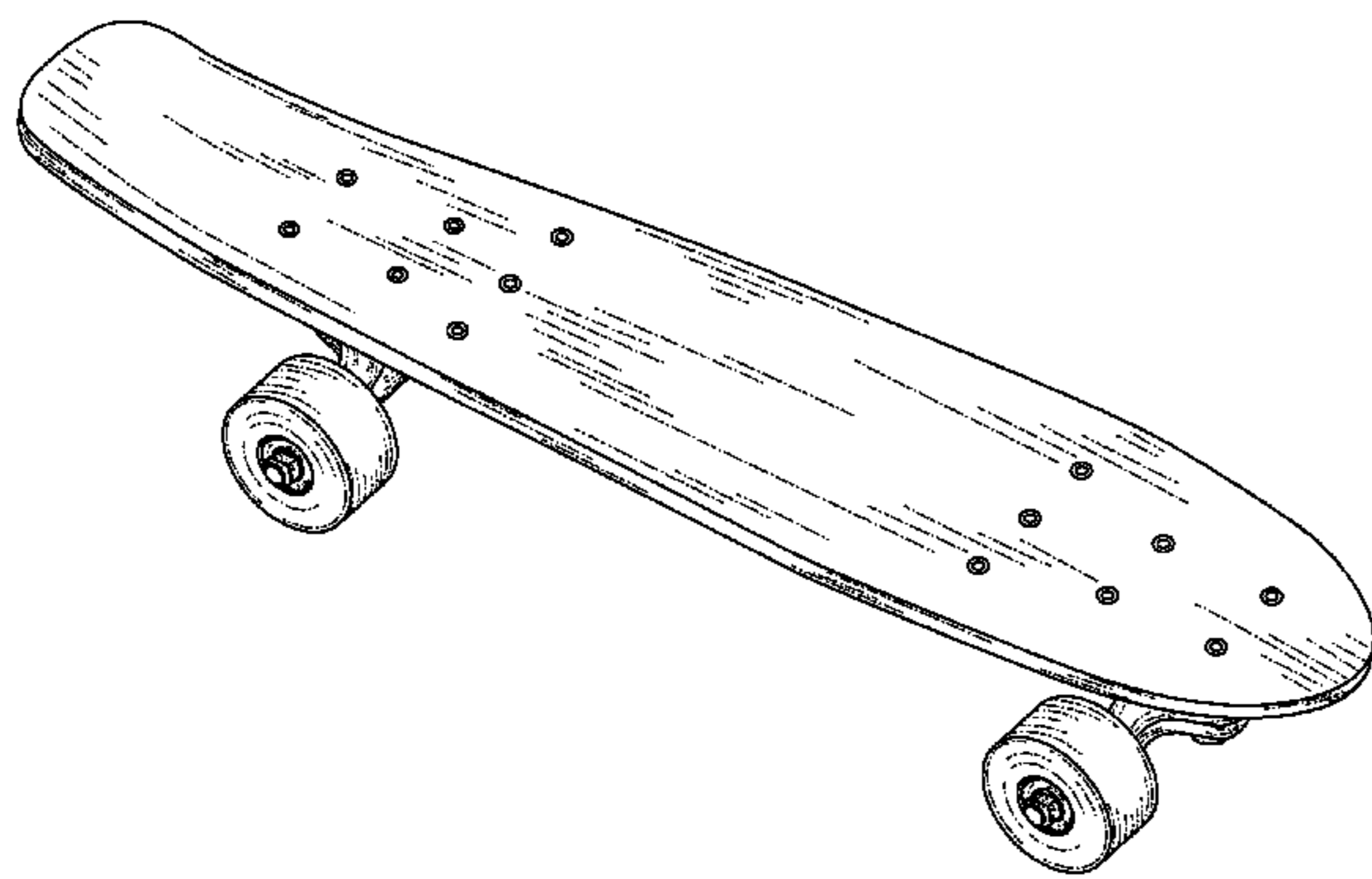
(57) **CLAIM**

The ornamental design for a skateboard, as shown and described.

DESCRIPTION

FIG. 1 is a top perspective view of a skateboard;
FIG. 2 is a bottom perspective view thereof;
FIG. 3 is a front elevational view thereof;
FIG. 4 is a rear elevational view thereof;
FIG. 5 is a right side elevational view thereof;
FIG. 6 is a left side elevational view thereof;
FIG. 7 is a top plan view thereof; and,
FIG. 8 is a bottom plan view thereof.
The broken lines are for the purpose of illustrating portions of the article that form no part of the claim.

1 Claim, 8 Drawing Sheets



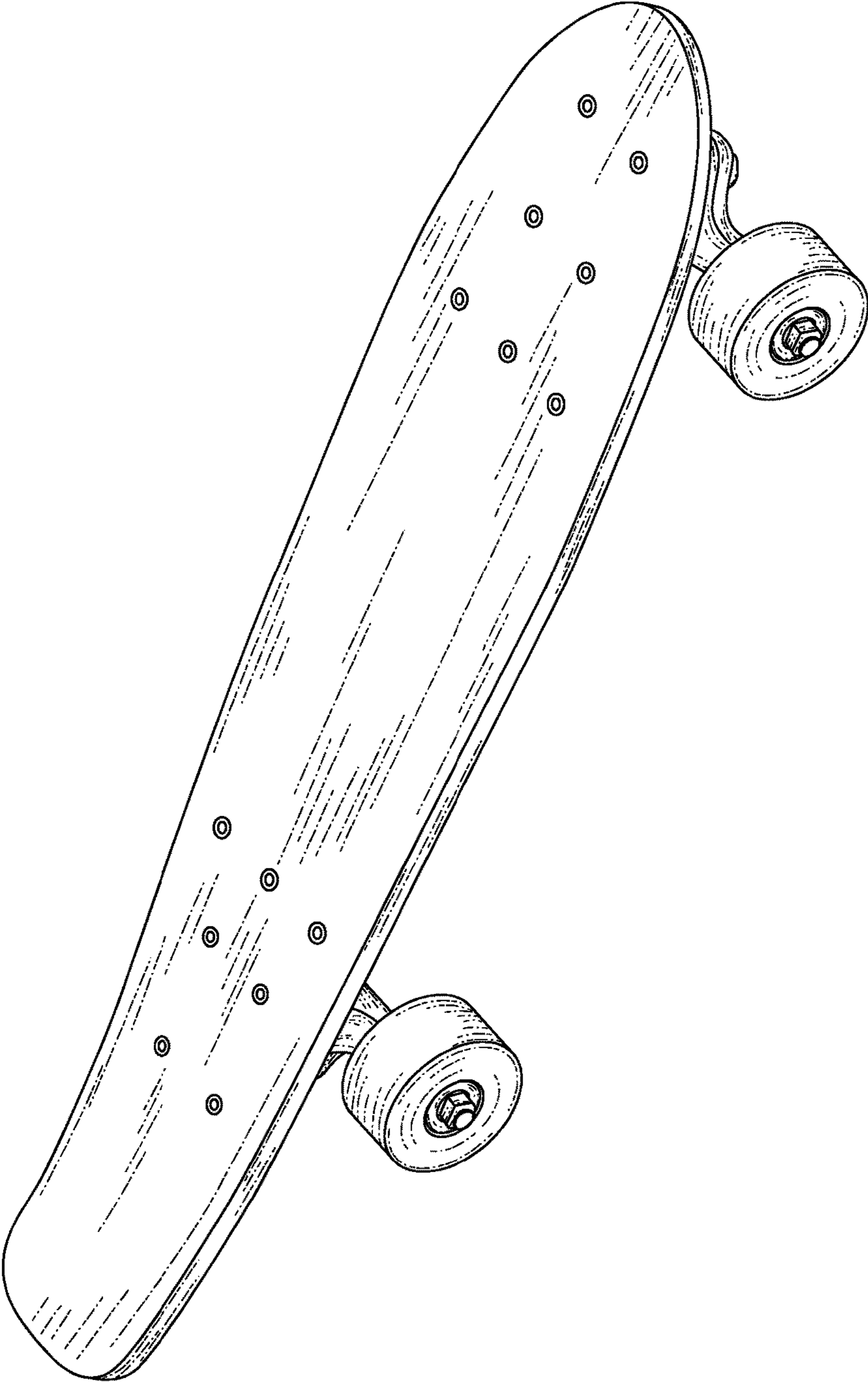


FIG. 1

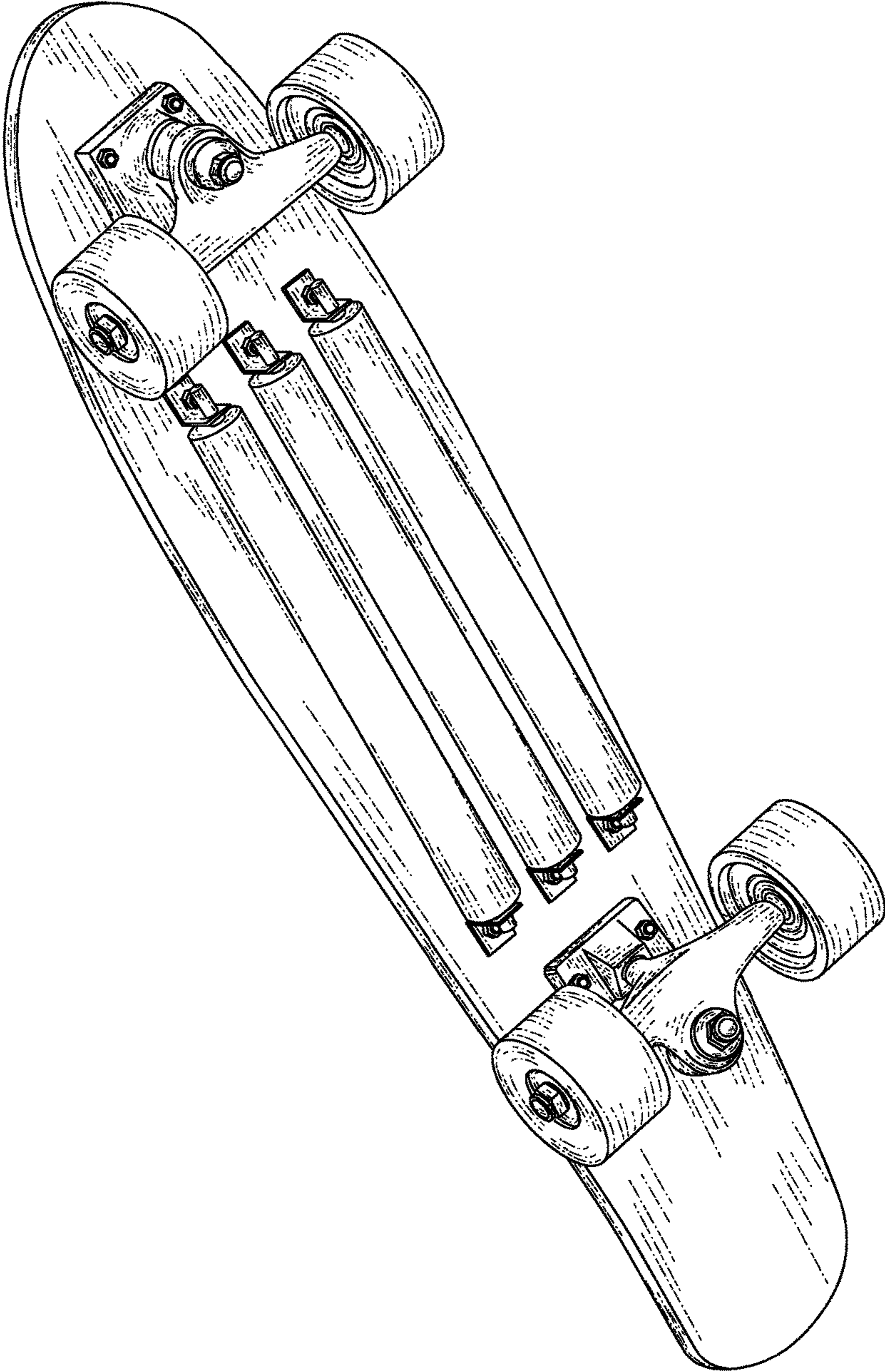


FIG. 2

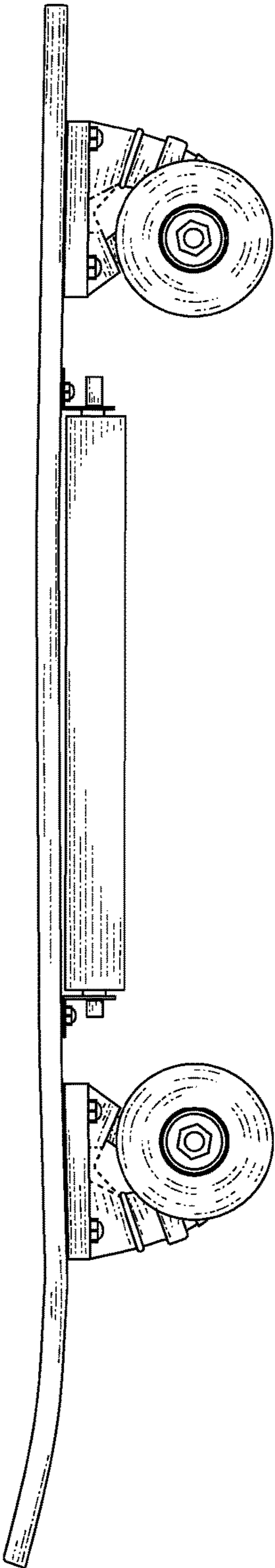


FIG. 3

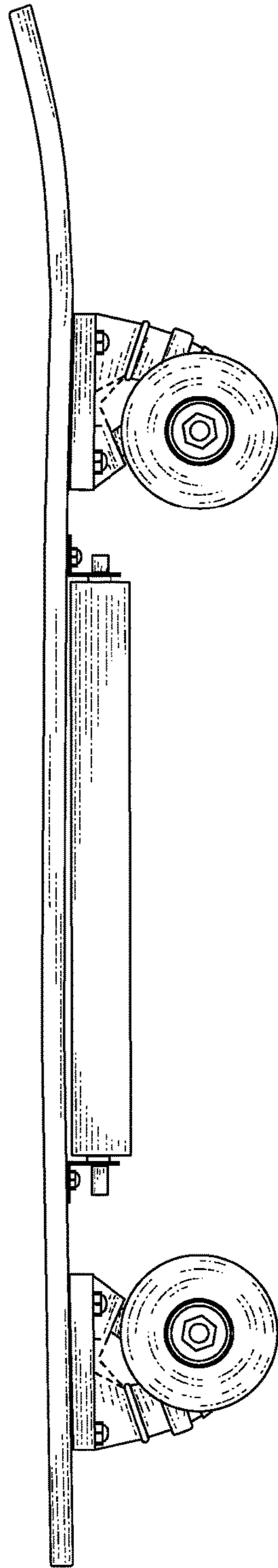


FIG. 4

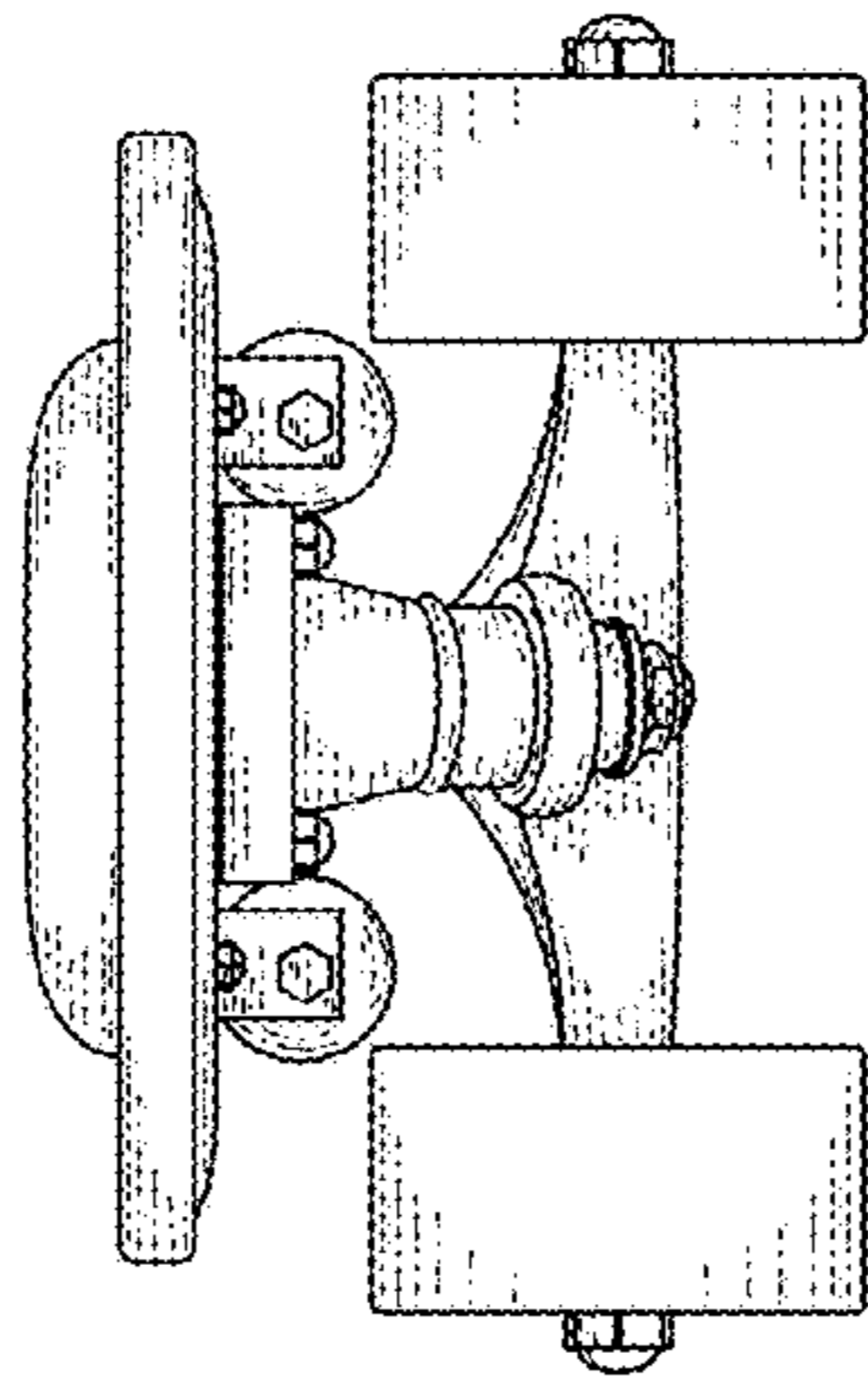


FIG. 5

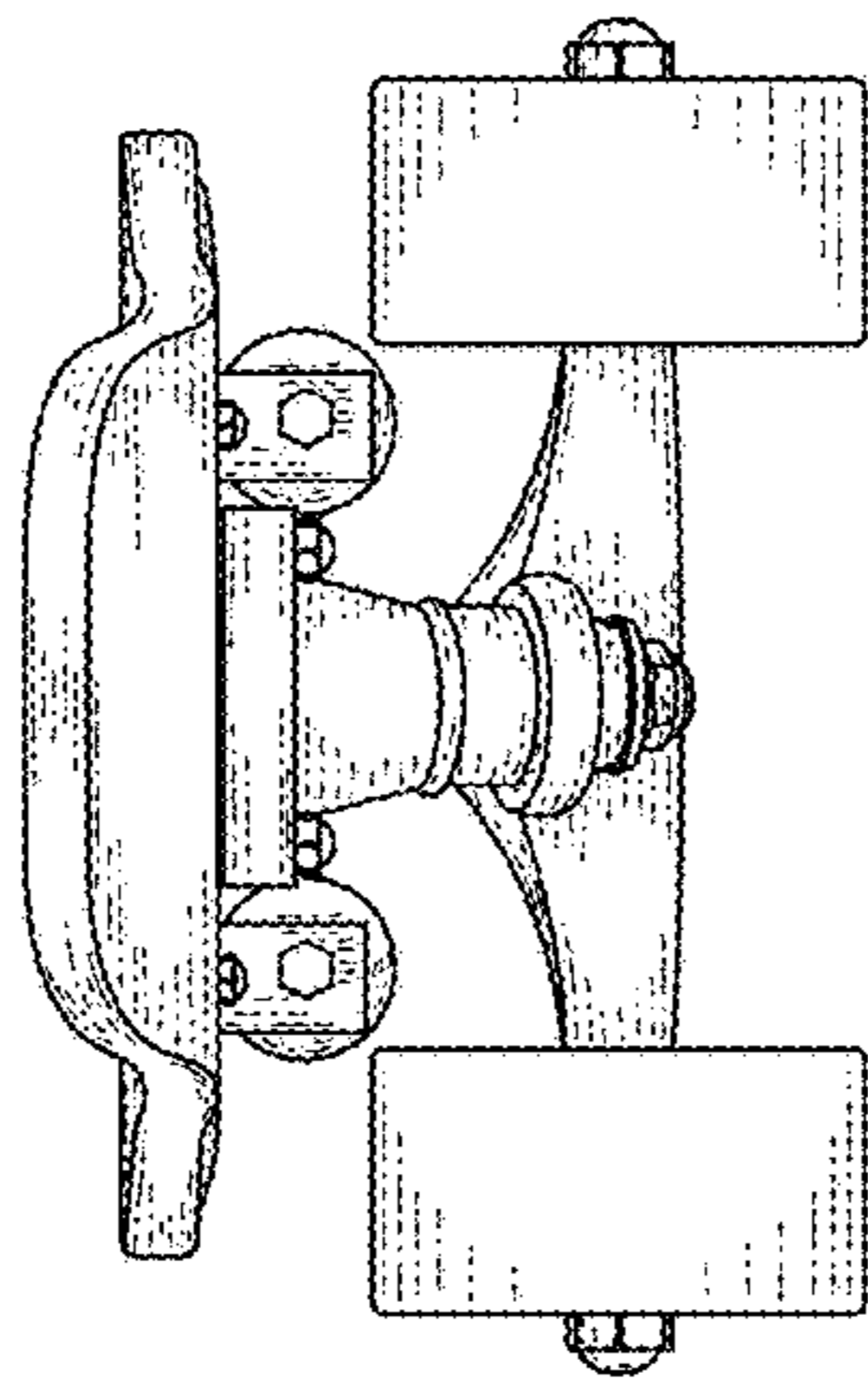


FIG. 6

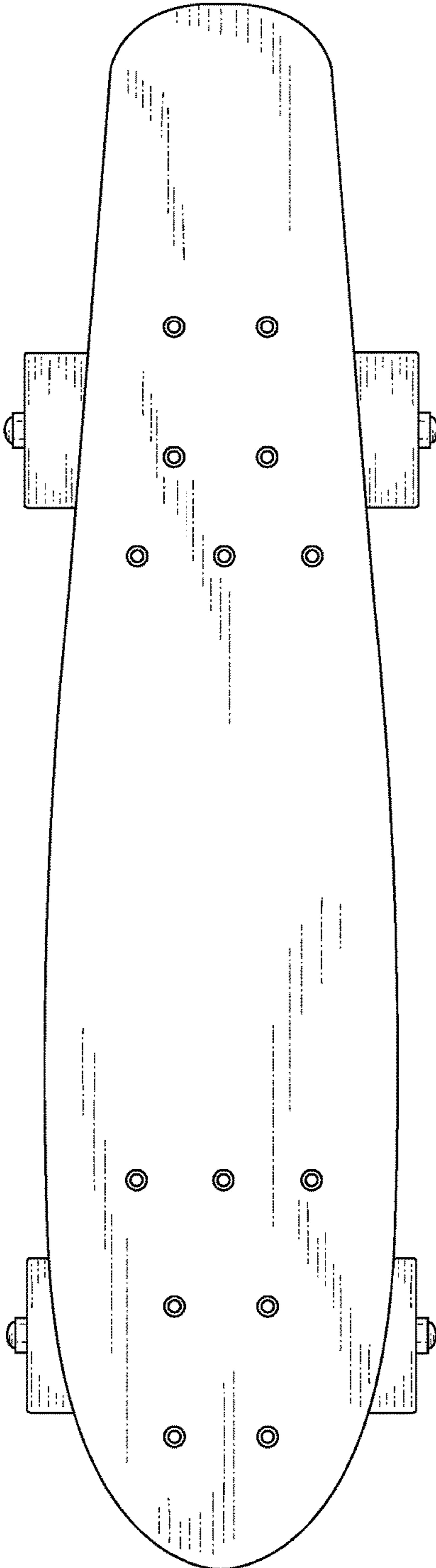


FIG. 7

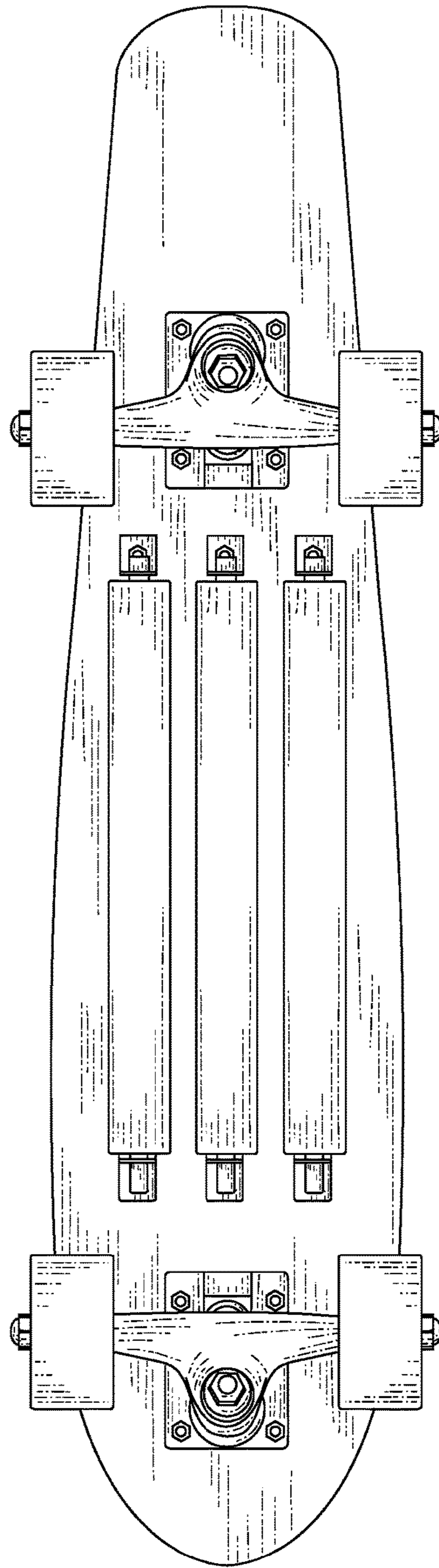


FIG. 8