



US00D824463S

(12) **United States Design Patent** (10) **Patent No.:** **US D824,463 S**
Vikmanis (45) **Date of Patent:** **** Jul. 31, 2018**

(54) **PUTTER HEAD**

(71) Applicant: **Alexis Edward Vikmanis**, Pompano Beach, FL (US)

(72) Inventor: **Alexis Edward Vikmanis**, Pompano Beach, FL (US)

(**) Term: **15 Years**

(21) Appl. No.: **29/608,092**

(22) Filed: **Jun. 19, 2017**

(51) **LOC (11) Cl.** **21-02**

(52) **U.S. Cl.**
USPC **D21/759**

(58) **Field of Classification Search**
USPC D21/736-746, 759
CPC A63B 53/00; A63B 53/04; A63B 53/007;
A63B 53/065; A63B 53/0487; A63B
60/00; A63B 60/46

See application file for complete search history.

D335,316 S * 5/1993 Shearer D21/743
D335,318 S * 5/1993 Shearer D21/742
D340,753 S * 10/1993 Miesch D21/743
D356,845 S * 3/1995 Lutts D21/738
D415,227 S * 10/1999 Heilker D21/743
D428,088 S 7/2000 Cameron
D441,042 S 4/2001 Hettinger
D478,142 S 8/2003 Toulon et al.
D508,723 S 8/2005 Rollinson
D512,116 S * 11/2005 Mirafior D21/759
D576,698 S 9/2008 Cameron
D603,007 S * 10/2009 Franklin D21/736
D682,376 S * 5/2013 Oliveiro D21/736
D704,287 S 5/2014 Tang et al.
D709,972 S 7/2014 Trahan et al.

* cited by examiner
Primary Examiner — Mitchell I. Siegel

(57) **CLAIM**
The ornamental design for a putter head, as shown and described.

DESCRIPTION

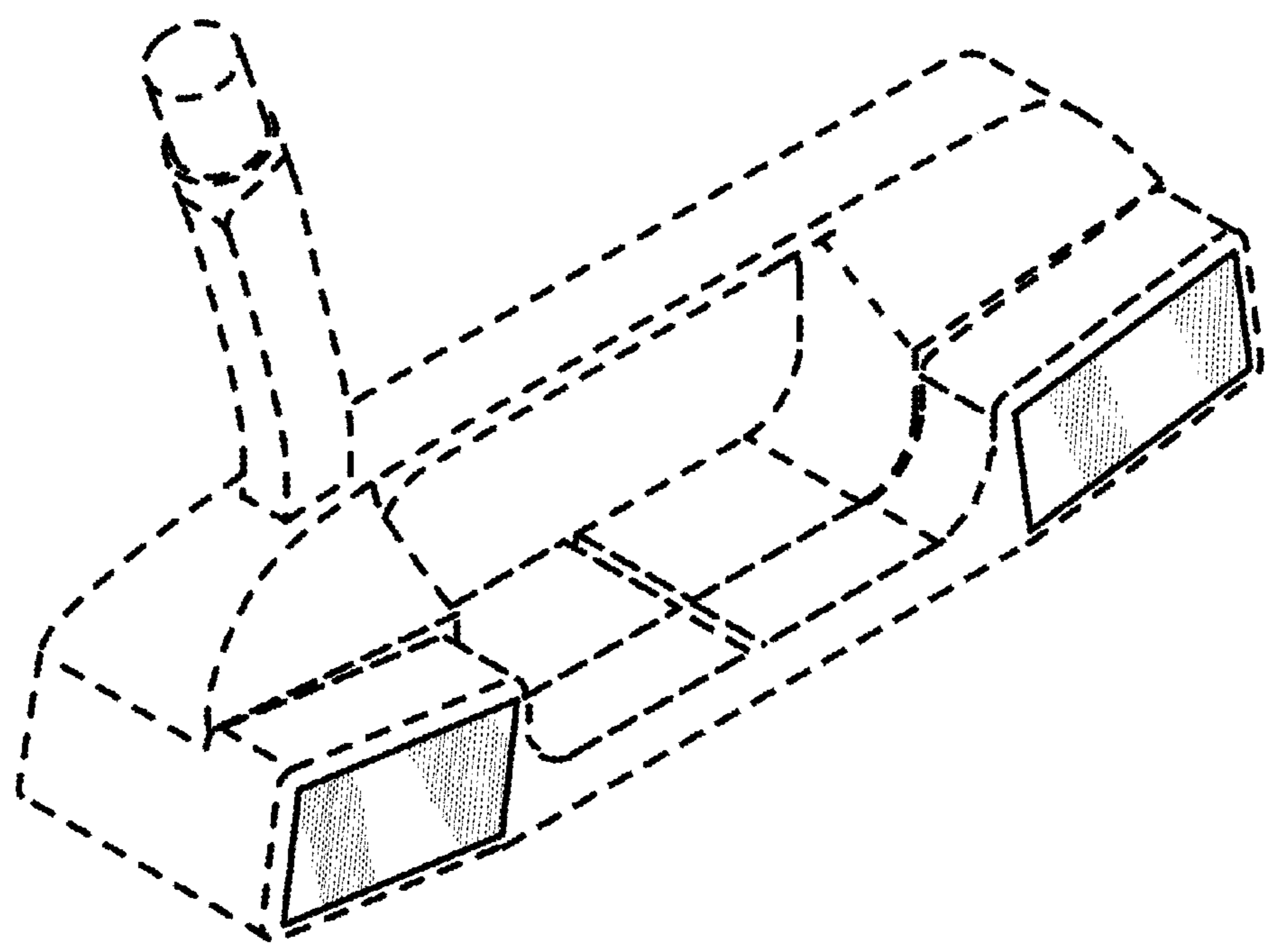
FIG. 1 is a back perspective view of my new design for a putter head; and, FIG. 2 is a back view thereof. The broken line showing is included for the purpose of illustrating the unclaimed portions of the putter head and forms no part of the claimed design.

1 Claim, 2 Drawing Sheets

(56) **References Cited**

U.S. PATENT DOCUMENTS

D275,981 S * 10/1984 Duclos D21/746
D312,858 S * 12/1990 Anderson D21/746
D313,449 S * 1/1991 Shearer D21/743
D313,451 S * 1/1991 Shearer D21/743
D318,893 S * 8/1991 Antonious D21/740
D322,650 S * 12/1991 Shearer D21/743
D335,315 S * 5/1993 Shearer D21/743



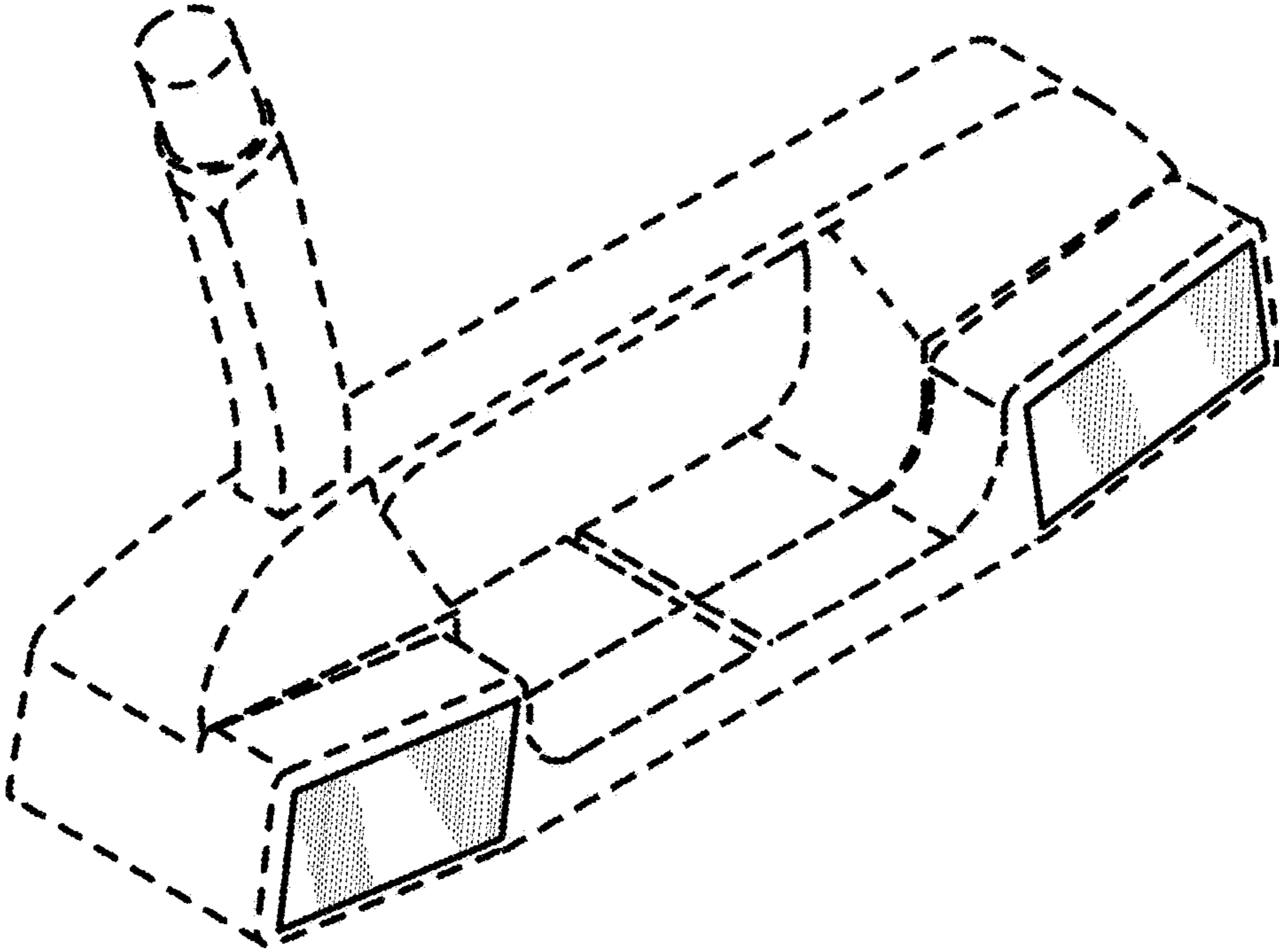


FIG. 1

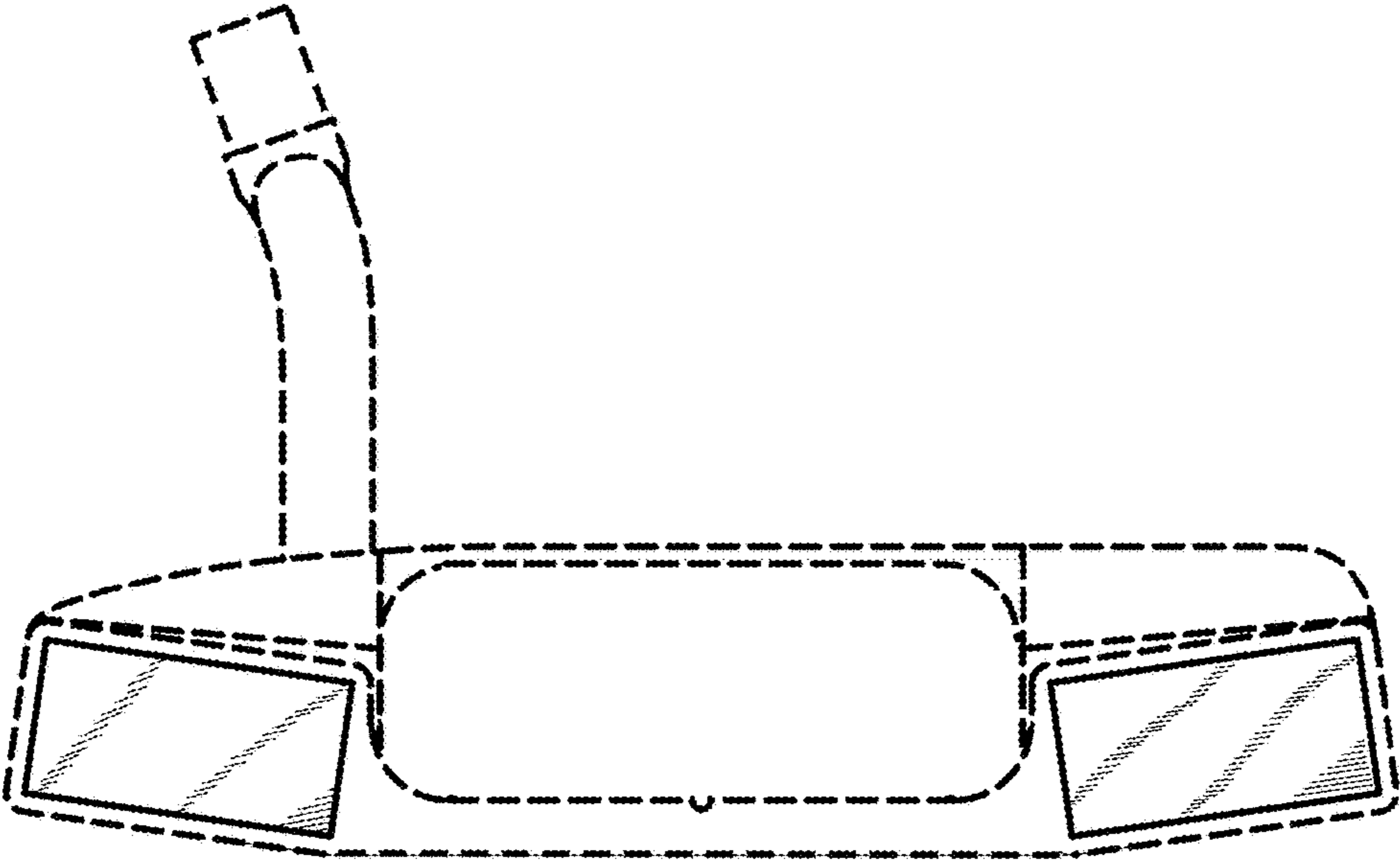


FIG. 2