



US00D824461S

(12) **United States Design Patent**  
**Chinn**

(10) **Patent No.:** **US D824,461 S**

(45) **Date of Patent:** **\*\* Jul. 31, 2018**

(54) **ANIMAL SHAPED TOY WITH AUDIO DEVICE**

(71) Applicant: **Ramona G. Chinn**, Kaneohe, HI (US)

(72) Inventor: **Ramona G. Chinn**, Kaneohe, HI (US)

(\*\*) Term: **15 Years**

(21) Appl. No.: **29/601,910**

(22) Filed: **Apr. 27, 2017**

(51) **LOC (11) Cl.** ..... **21-01**

(52) **U.S. Cl.**  
USPC ..... **D21/617; D14/189; D21/576**

(58) **Field of Classification Search**  
USPC ..... D6/598; D11/158, 159, 162;  
D21/576-595, 604-605, 617-618, 623,  
D21/630; 446/71, 73, 97, 368-369, 376;  
180/8.6; D30/160; D14/189  
CPC ... A63H 3/00; A63H 3/02; A63H 3/04; A63H  
3/16; A63H 3/20; A63H 33/00; A63H  
7/00; A63H 11/00

See application file for complete search history.

(56) **References Cited**

**U.S. PATENT DOCUMENTS**

D170,714 S *	10/1953	Peters	.....	D21/617
D228,953 S *	10/1973	Boldt	.....	D14/189
D229,579 S *	12/1973	Fink	.....	D14/189
4,547,171 A *	10/1985	Horimoto	.....	A63H 3/02 446/370
4,696,953 A	9/1987	McKeefery		
D305,139 S *	12/1989	Blasiman	.....	D21/628
D315,735 S *	3/1991	Chu	.....	D14/189
5,279,514 A	1/1994	Lacombe et al.		

D346,600 S *	5/1994	Grasso	.....	A63H 3/02 D14/189
D358,179 S *	5/1995	Bro	.....	D21/477
5,738,561 A	4/1998	Pracas		
D483,737 S *	12/2003	Shah	.....	D14/189
D508,768 S *	8/2005	Safdieh	.....	D21/617
2007/0061975 A1	5/2007	Hernandez		
2007/0111632 A1	5/2007	Clark		
2008/0228491 A1	9/2008	Hale		
2008/0305710 A1	12/2008	Roberts		
2011/0070805 A1	3/2011	Islava		

\* cited by examiner

*Primary Examiner* — Sandra L Morris

(74) *Attorney, Agent, or Firm* — Cramer Patent & Design, PLLC; Aaron R. Cramer

(57) **CLAIM**

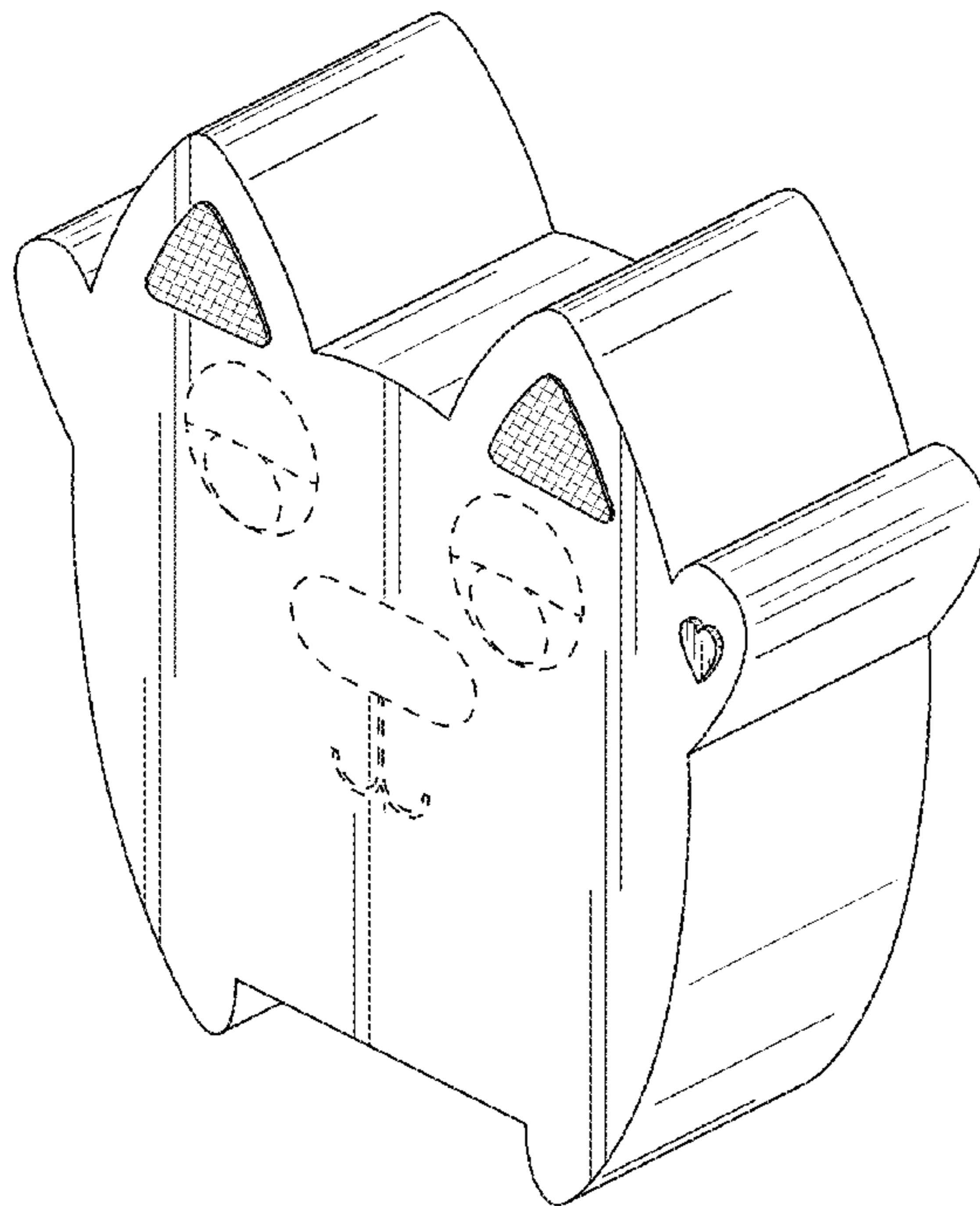
The ornamental design for an animal shaped toy with an audio device, as shown and described.

**DESCRIPTION**

FIG. 1 is a perspective top front view of an animal shaped toy with an audio device, showing my new design; FIG. 2 is a perspective top rear view thereof; FIG. 3 is a front elevation view thereof; FIG. 4 is a rear elevation view thereof; FIG. 5 is a left elevation view thereof; FIG. 6 is a right elevation view thereof; FIG. 7 is a top plan view thereof; and, FIG. 8 is a bottom plan view thereof.

The broken lines represent a boundary area for a tail and facial features for an animal shaped toy with audio device and do not form any part of the claimed design.

**1 Claim, 8 Drawing Sheets**



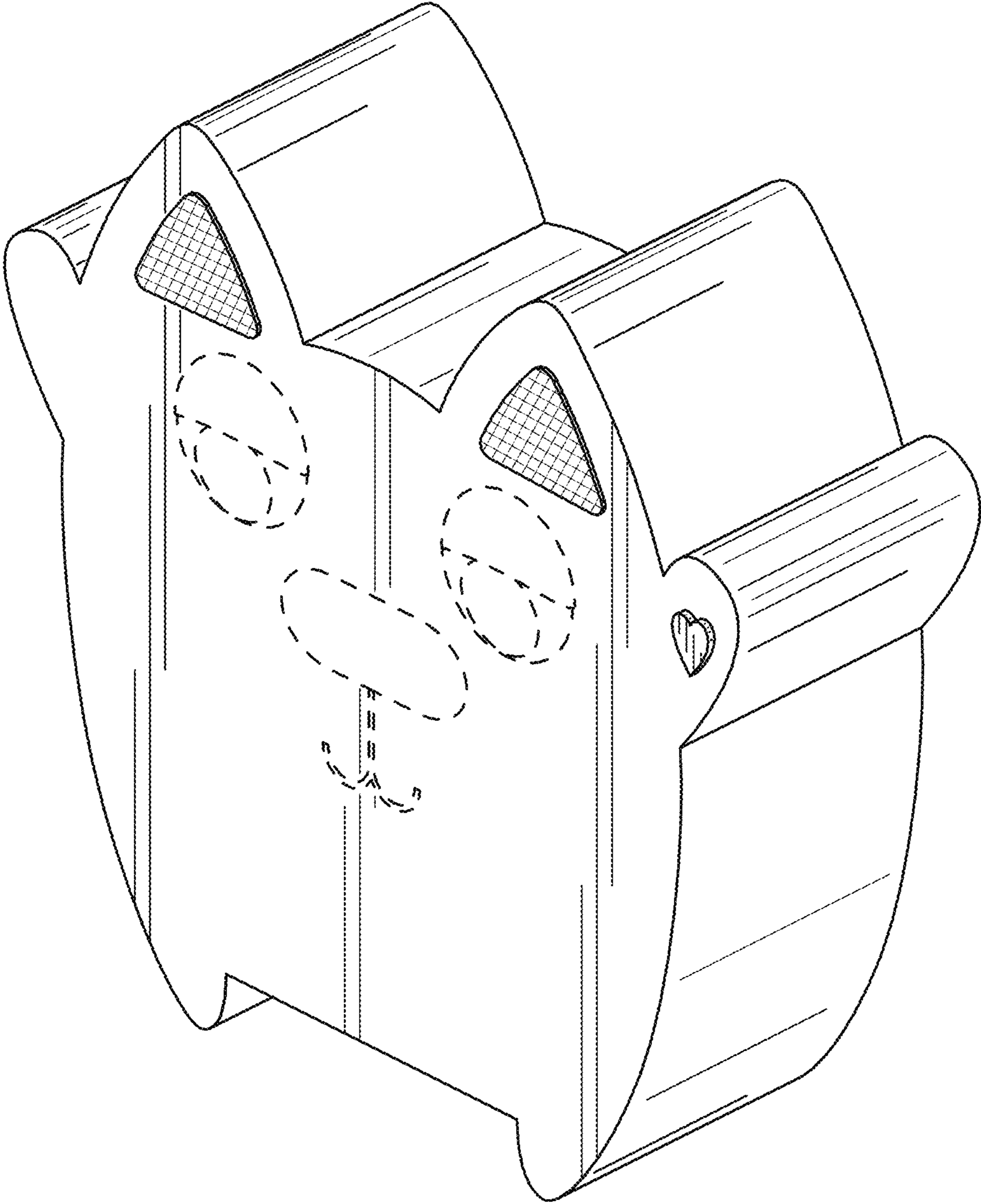


FIG. 1

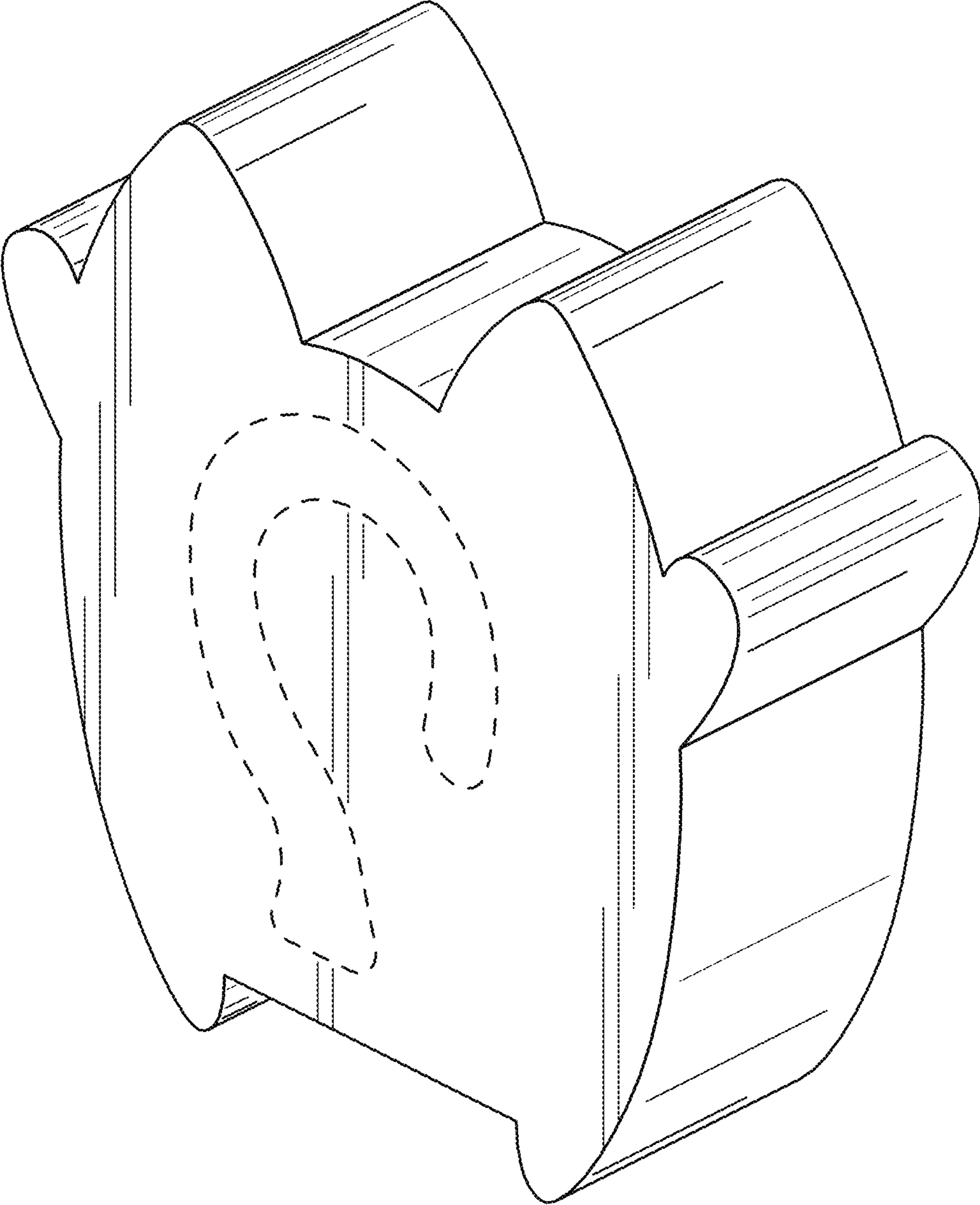


FIG. 2

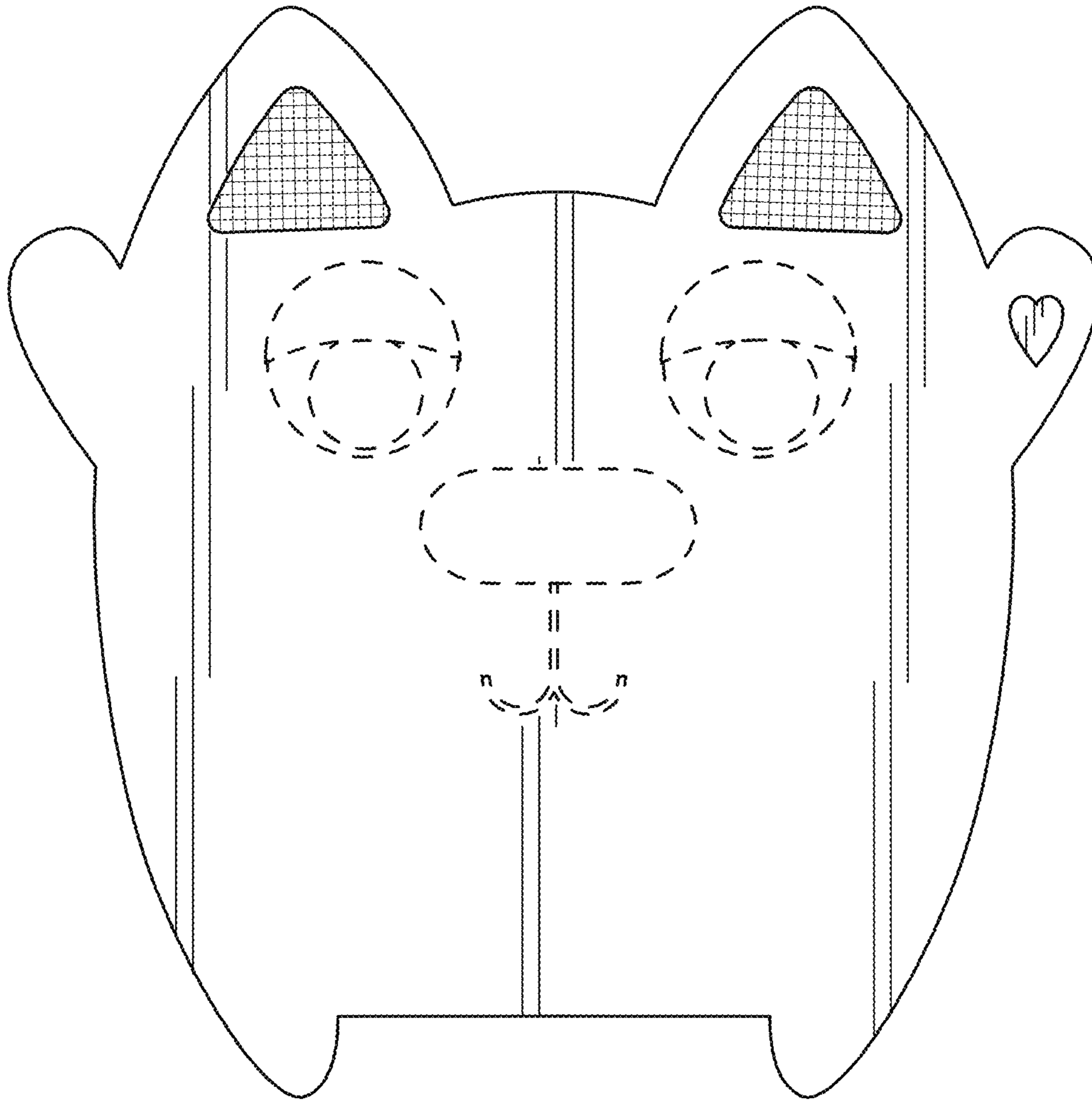


FIG. 3

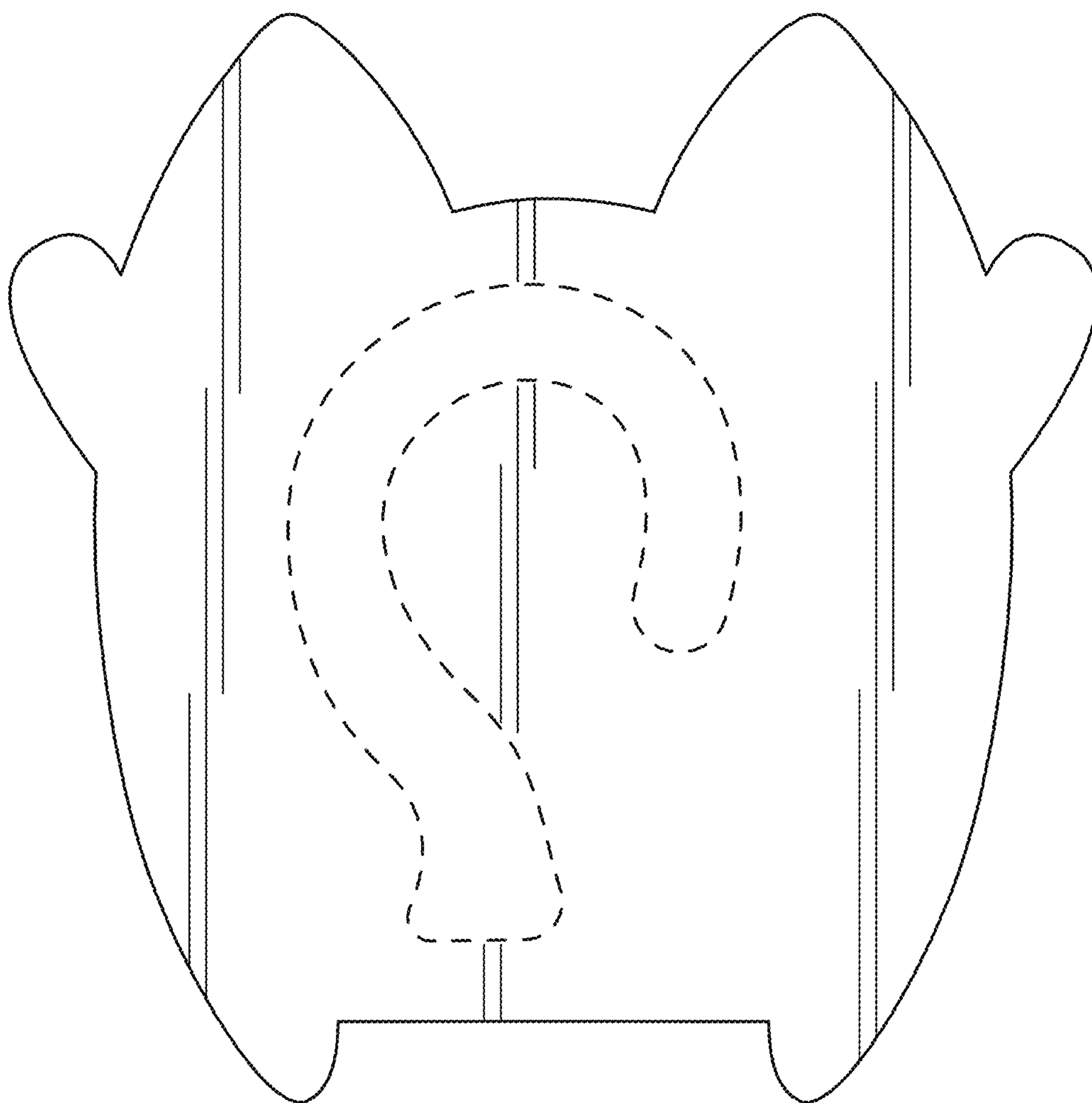


FIG. 4



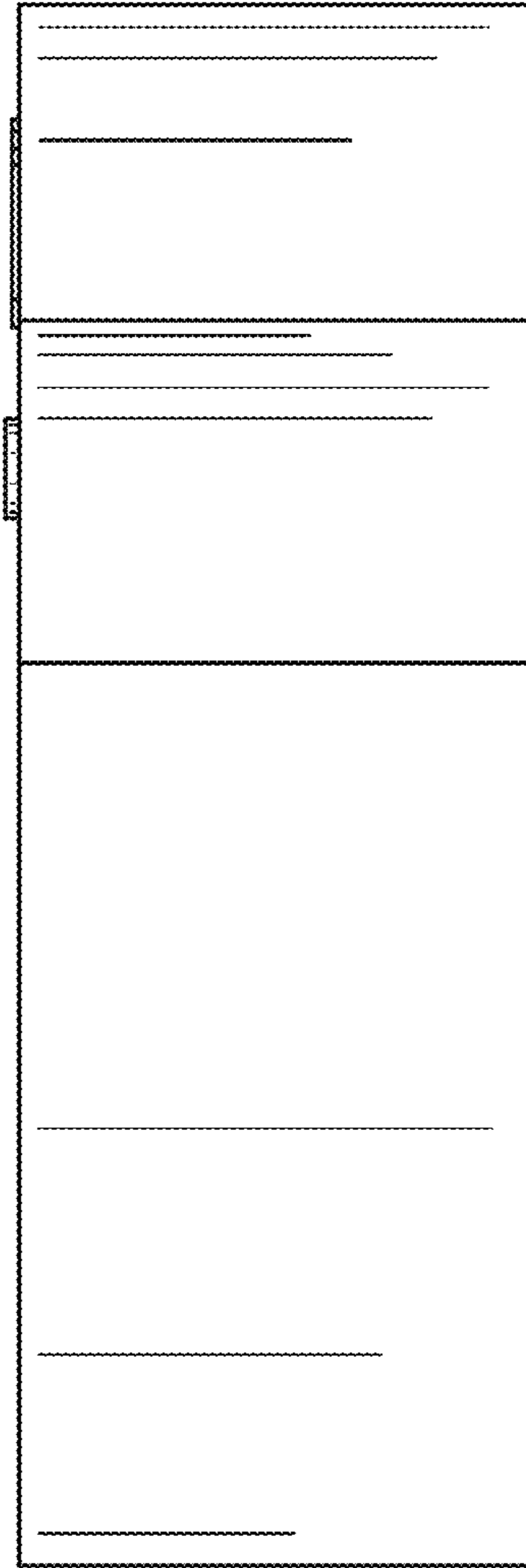


FIG. 5

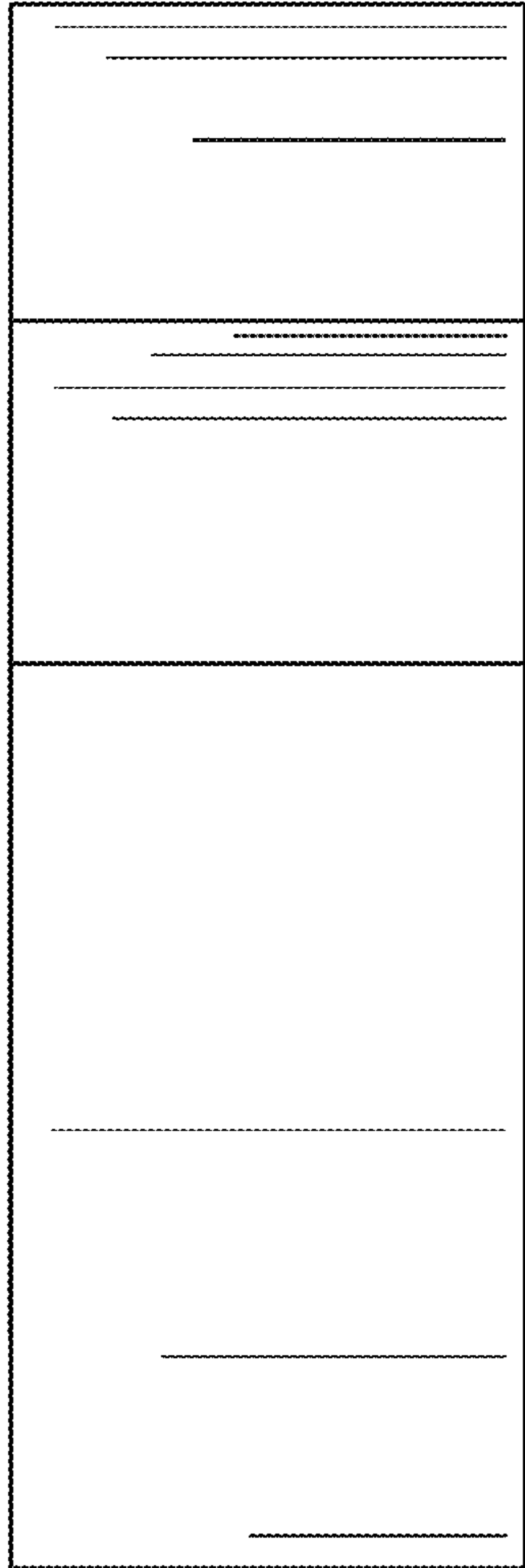


FIG. 6

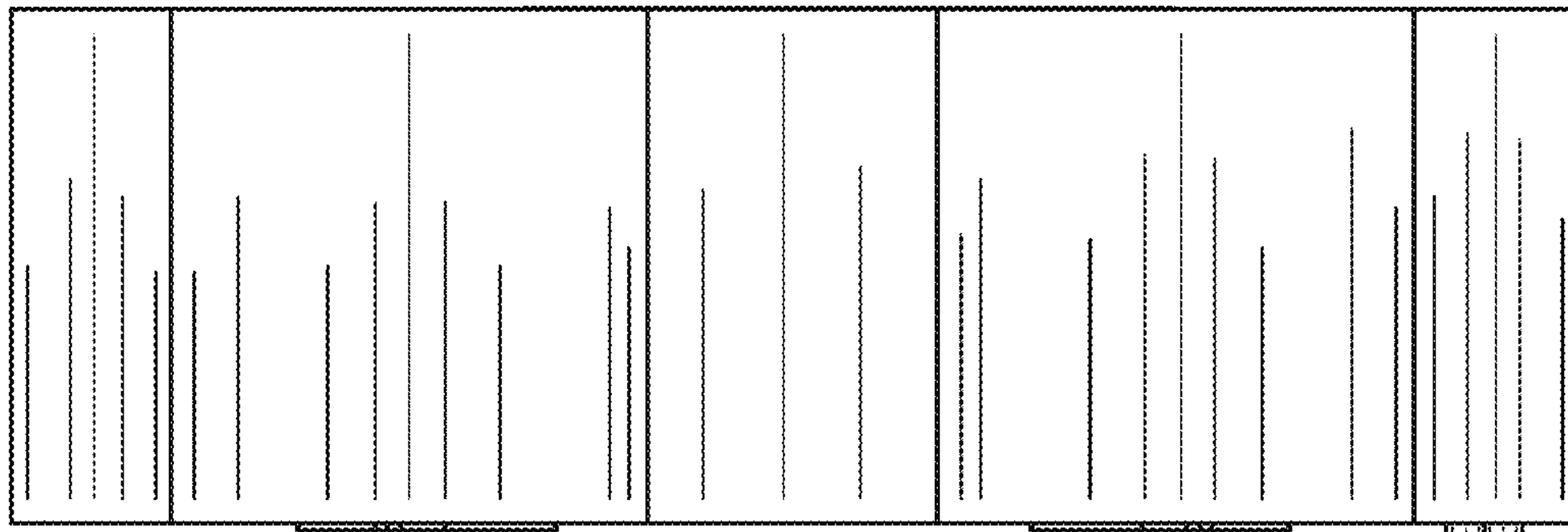


FIG. 7



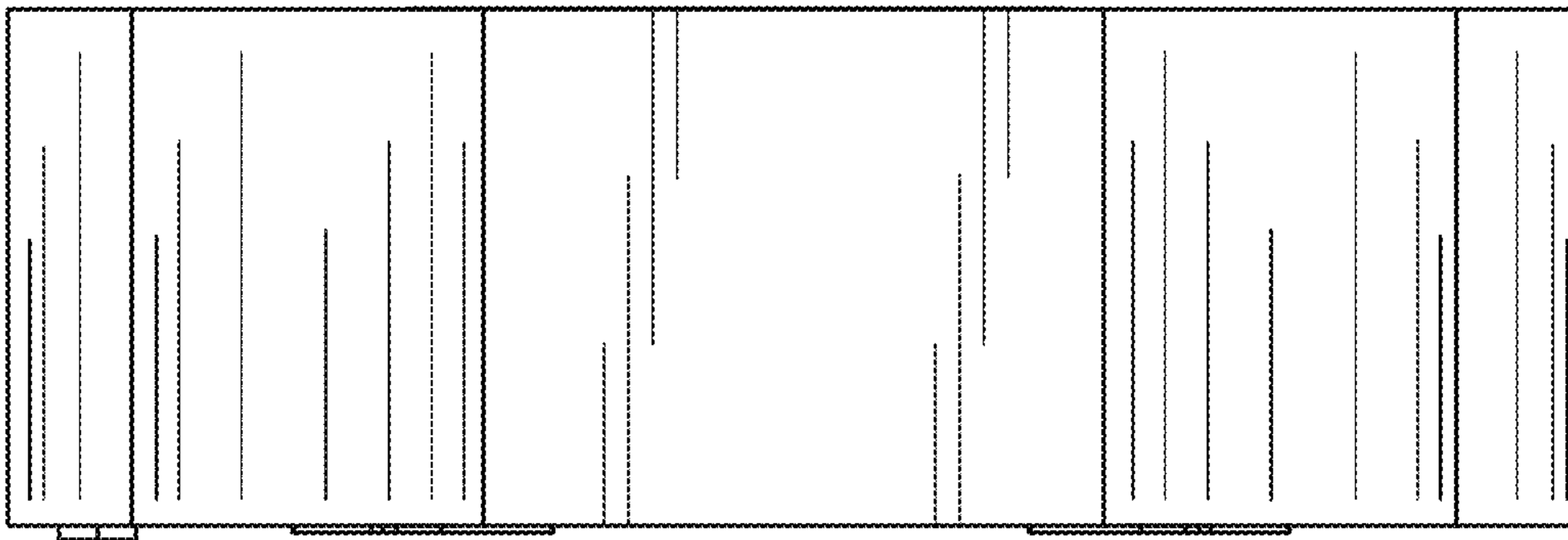


FIG. 8