



US00D824459S

(12) **United States Design Patent**
Liang et al.

(10) **Patent No.:** **US D824,459 S**
(45) **Date of Patent:** **** Jul. 31, 2018**

(54) **CONTROLLER**

DESCRIPTION

- (71) Applicant: **AUTEL ROBOTICS CO., LTD.**,
Guangdong (CN)
- (72) Inventors: **Zhiyin Liang**, Guangdong (CN);
Yongshuai Wang, Guangdong (CN)
- (73) Assignee: **AUTEL ROBOTICS CO., LTD.**,
Guangdong (CN)
- (**) Term: **15 Years**
- (21) Appl. No.: **29/596,763**
- (22) Filed: **Mar. 10, 2017**
- (30) **Foreign Application Priority Data**
Sep. 13, 2016 (CN) 2016 3 0470542
- (51) **LOC (11) Cl.** **21-01**
- (52) **U.S. Cl.**
USPC **D21/566; D13/168**
- (58) **Field of Classification Search**
USPC D13/168; D14/345; D21/324, 329, 330,
D21/333, 335, 515, 561, 566; D12/174,
D12/345

(Continued)

(56) **References Cited**

U.S. PATENT DOCUMENTS

- D275,971 S * 10/1984 Yokoi D21/330
- 4,542,903 A * 9/1985 Yokoi A63F 9/24
345/1.1

(Continued)

Primary Examiner — Selina Sikder

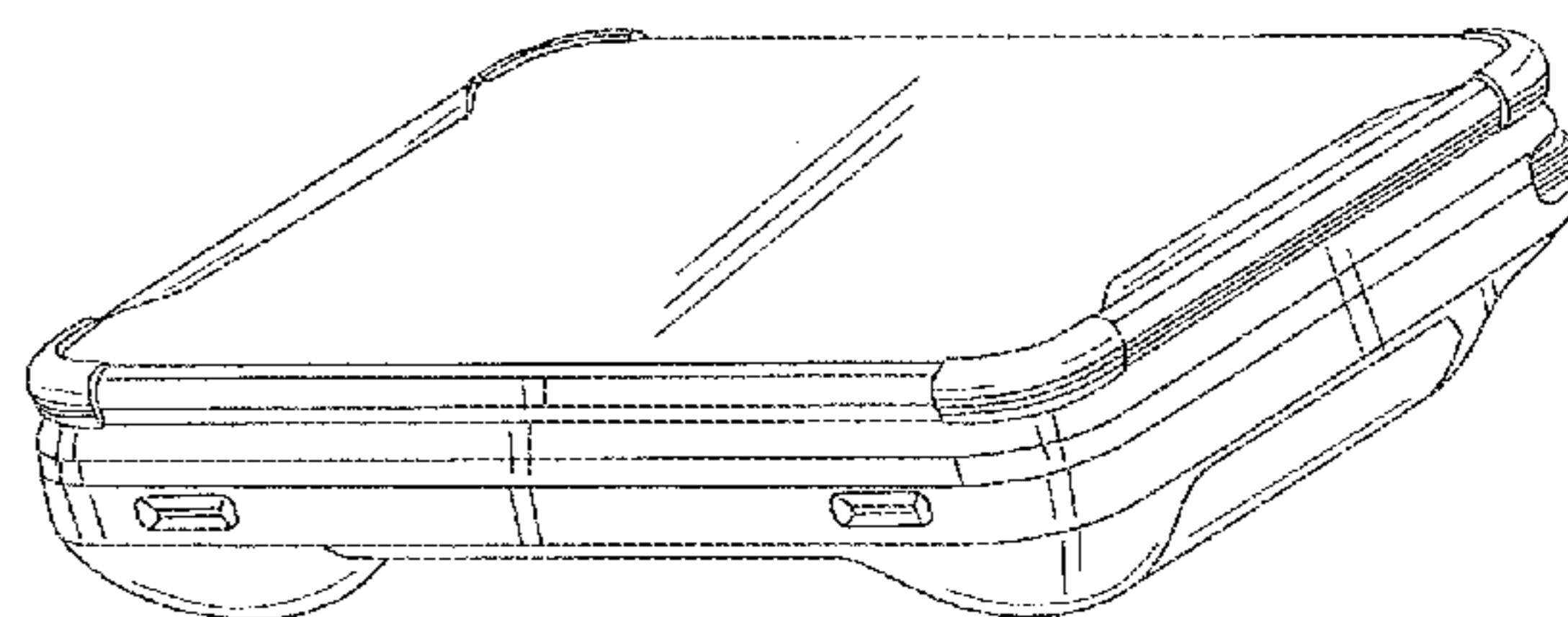
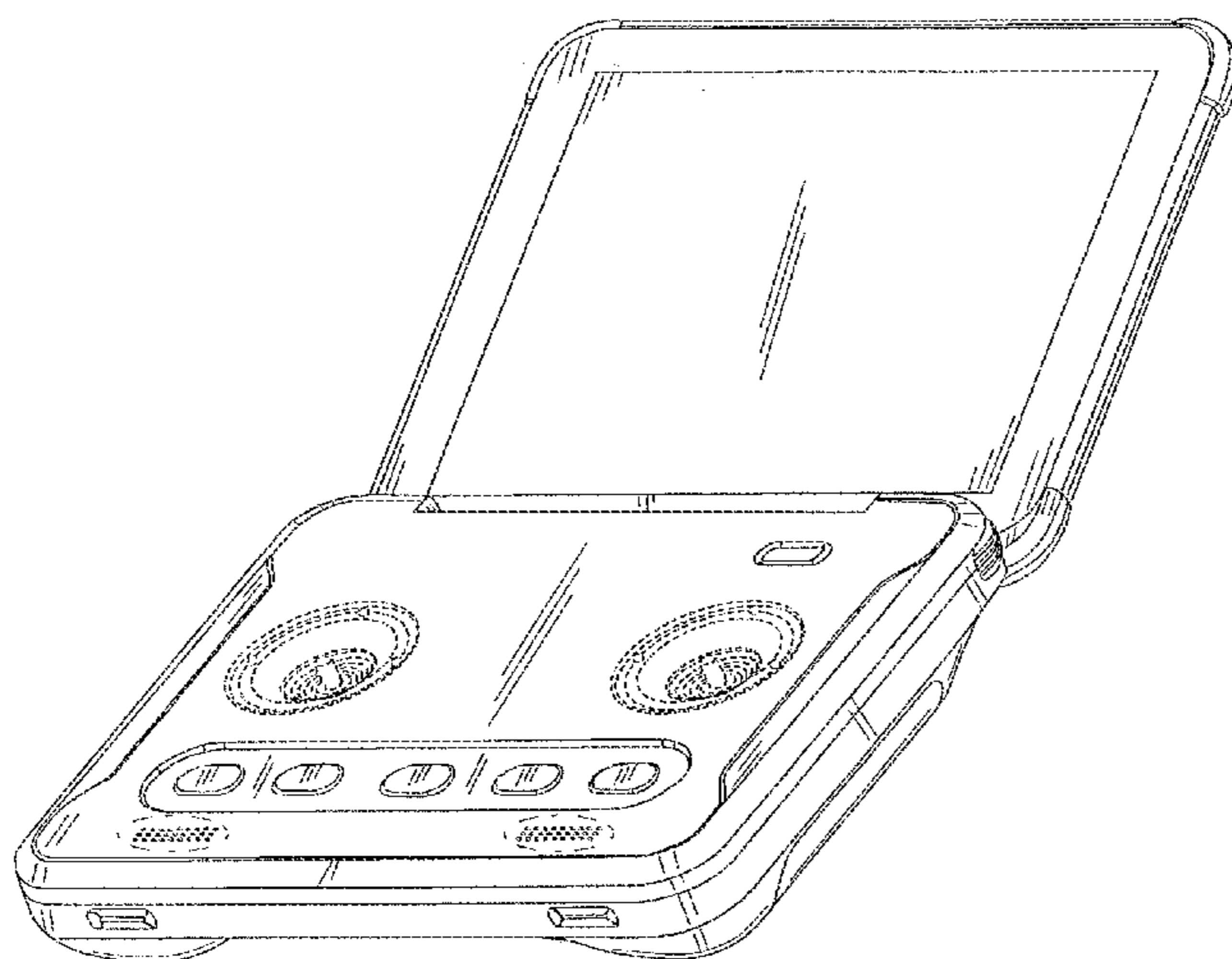
(74) *Attorney, Agent, or Firm* — Ladas & Parry LLP

(57) **CLAIM**

The ornamental design for a controller, as shown and described.

FIG. 1 is a perspective view from the front, top, and right side of the controller embodying our new design in its open position;
 FIG. 2 is a perspective view from the front, top, and right side of the controller embodying our new design in its closed position;
 FIG. 3 is a front elevational view thereof in its open position;
 FIG. 4 is a rear elevational view thereof in its open position;
 FIG. 5 is a right side elevational view thereof in its open position;
 FIG. 6 is a left side elevational view thereof in its open position;
 FIG. 7 is a top plan view thereof in its open position;
 FIG. 8 is a bottom plan view thereof in its open position;
 FIG. 9 is a perspective view from the front, top, and right side of another embodiment of the controller embodying our new design in its open position;
 FIG. 10 is another perspective view from the front, top, and right side of another embodiment of the controller of the second embodiment in its closed position;
 FIG. 11 is a front elevational view thereof in its open position;
 FIG. 12 is a rear elevational view thereof in its open position;
 FIG. 13 is a right side elevational view thereof in its open position;
 FIG. 14 is a left side elevational view thereof in its open position;
 FIG. 15 is a top plan view thereof in its open position; and,
 FIG. 16 is a bottom plan view thereof in its open position.
 The broken lines in the drawings are by way of illustration only and form no part of the claimed design.
 The portions encircled in dash-dot lines in FIGS. 1, 3, 9, and 11 are way of illustration only and form no part of the claimed design. The dash-dot lines form no part of the claimed design.

1 Claim, 10 Drawing Sheets



(58) **Field of Classification Search**

CPC A63F 13/06; A63H 30/04; G08C 17/02;
G08C 23/04; B64C 1/062

See application file for complete search history.

(56) **References Cited**

U.S. PATENT DOCUMENTS

D430,871	S *	9/2000	Chu	D14/345
D447,778	S *	9/2001	Bao	D21/566
D484,918	S *	1/2004	Okada	D21/330
D485,587	S *	1/2004	Hui	D21/566
D532,051	S *	11/2006	Sugino	D21/330
7,162,334	B2 *	1/2007	Yamaguchi	A63H 30/04 701/2
7,288,917	B2 *	10/2007	Art	H02J 7/0045 320/107
D697,139	S *	1/2014	Sugino	D14/345
9,327,204	B2 *	5/2016	Chen	A63H 30/04
D781,208	S *	3/2017	Li	D12/345
2009/0170395	A1 *	7/2009	Wai	A63H 27/02 446/38

* cited by examiner

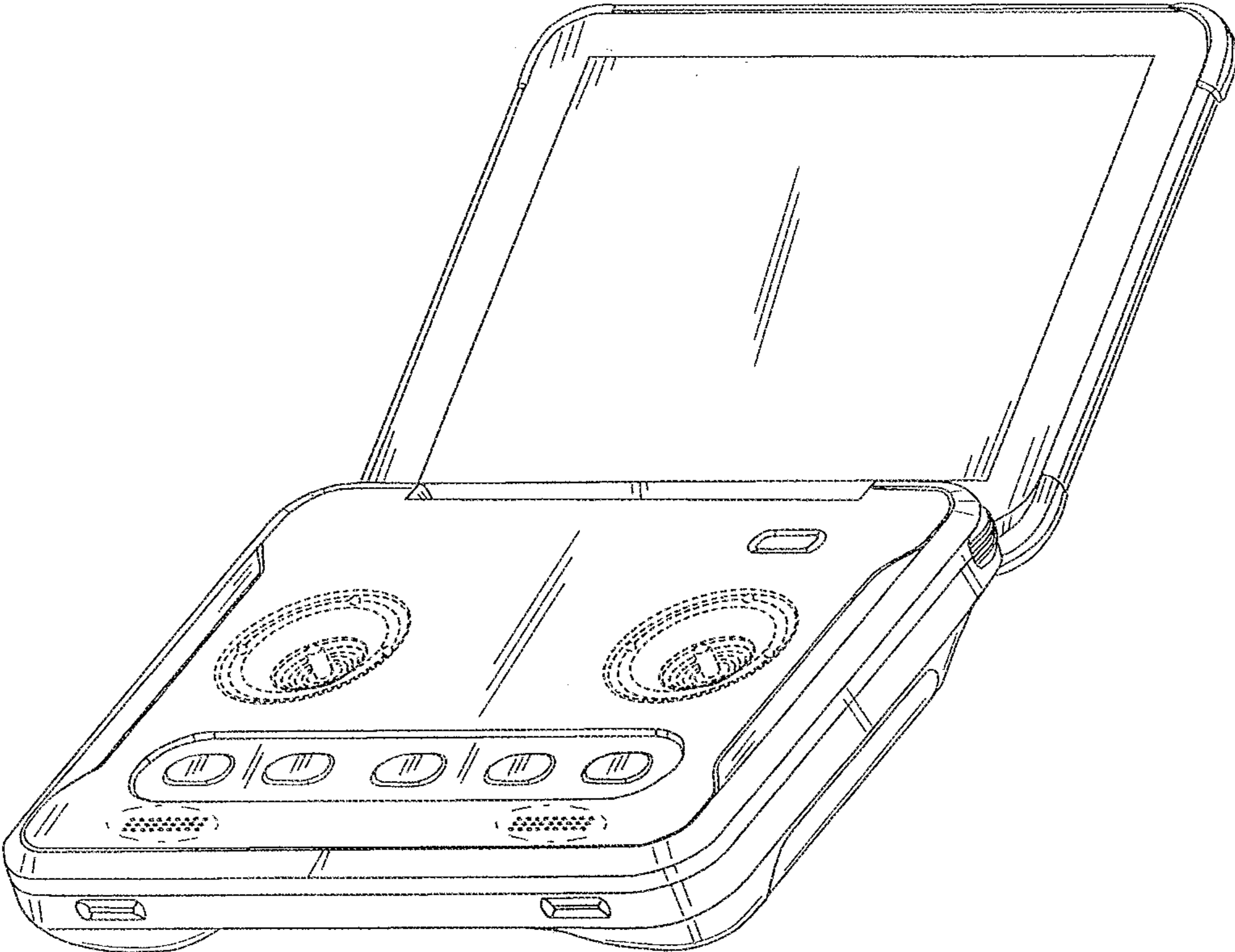


FIG. 1

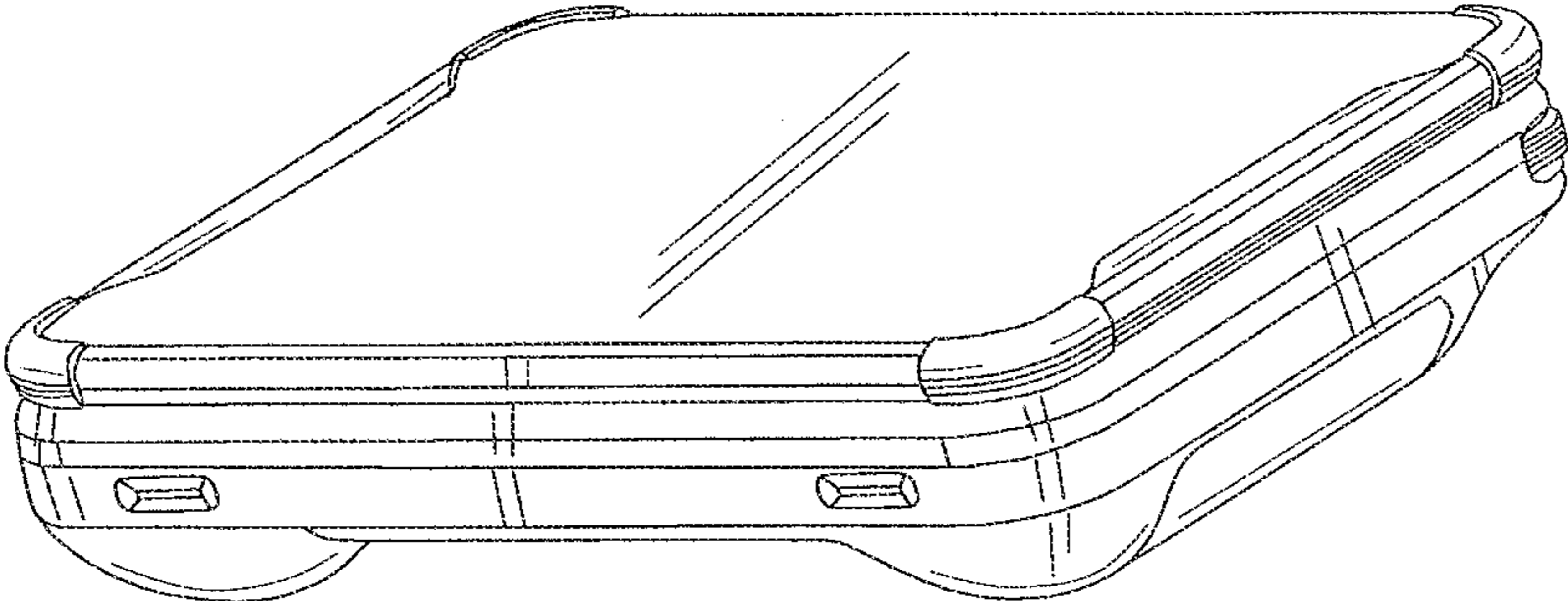


FIG. 2

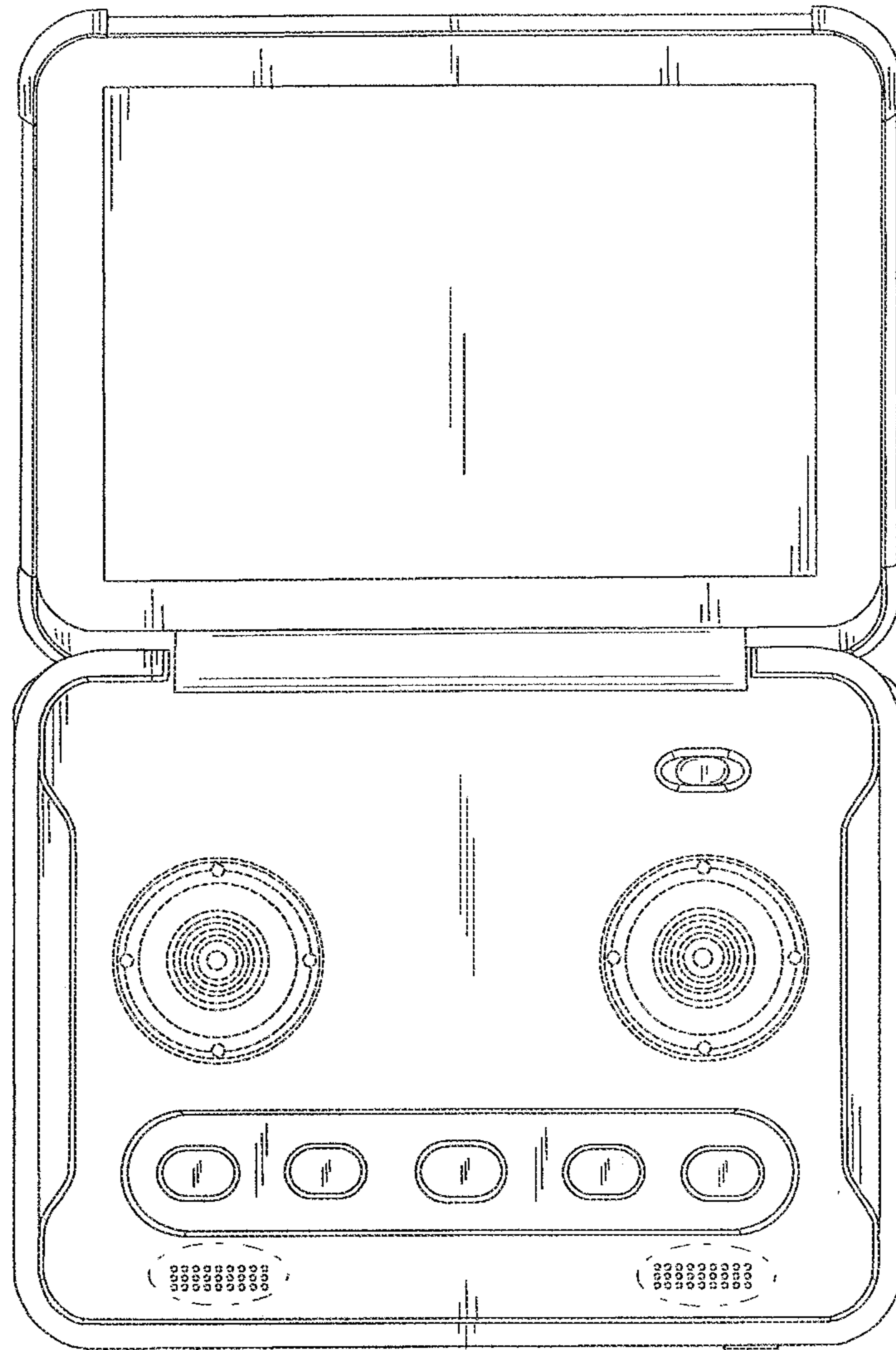


FIG. 3

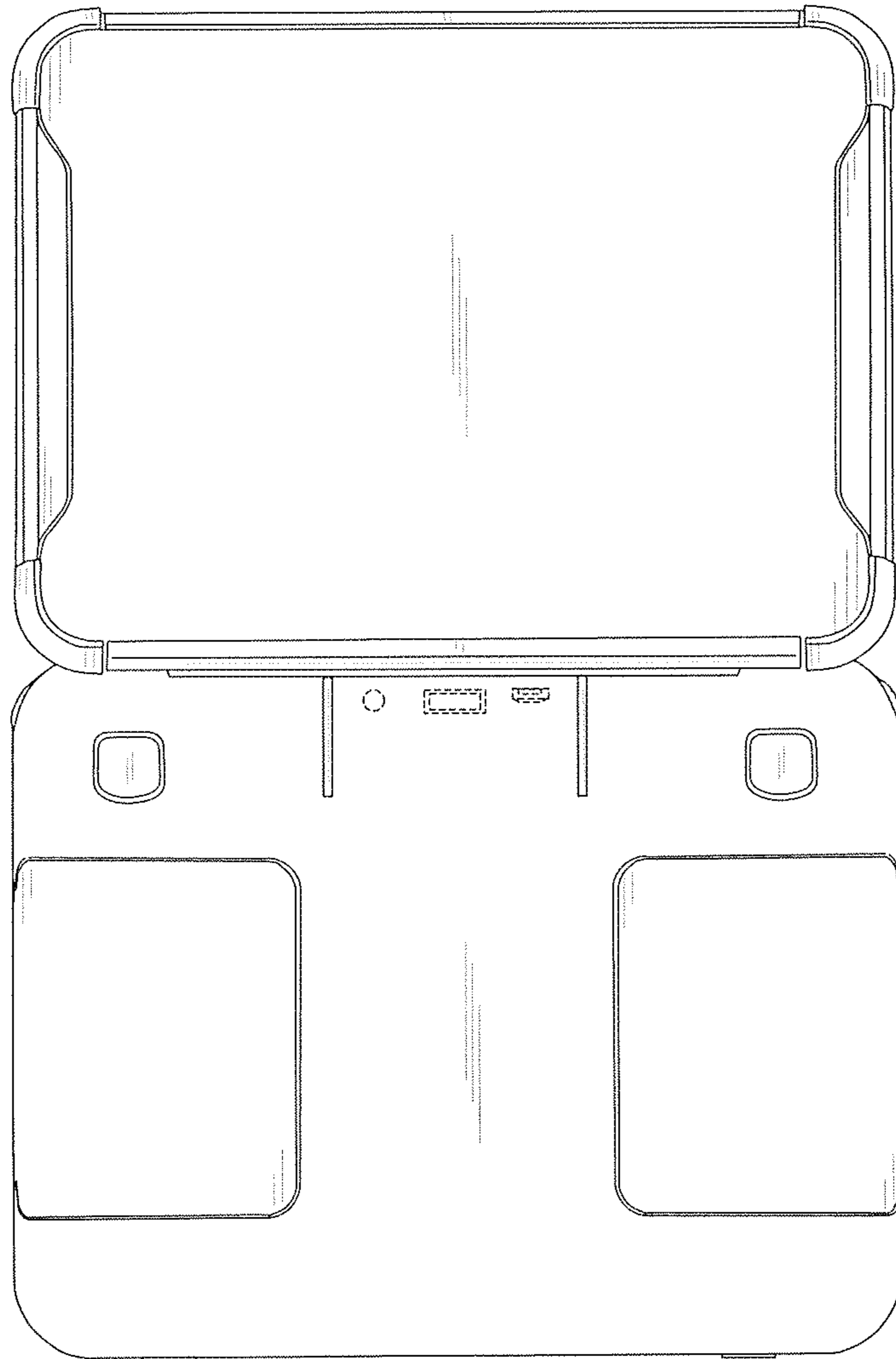


FIG. 4

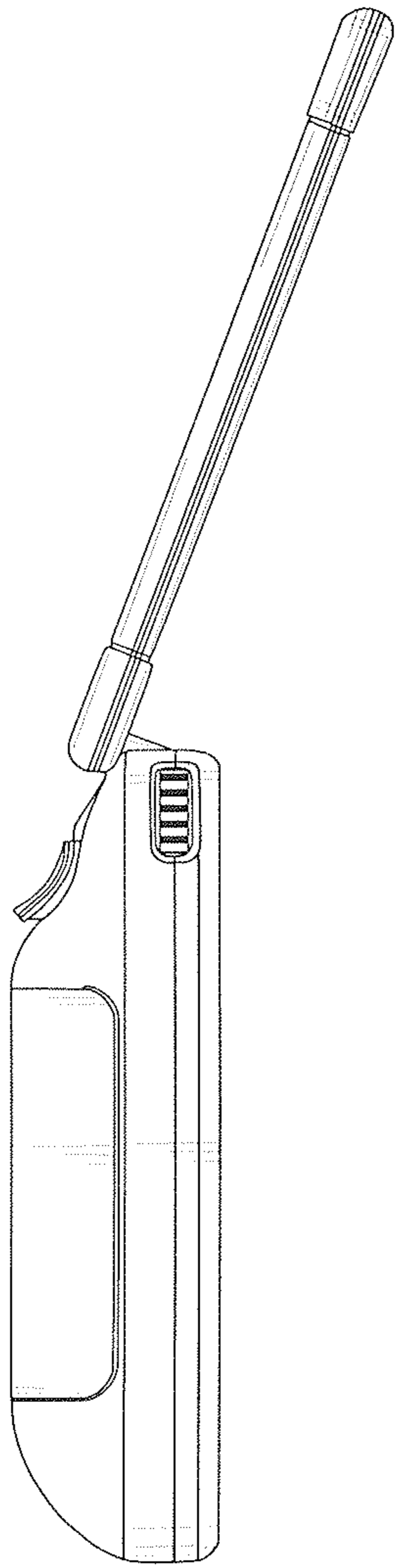


FIG. 5

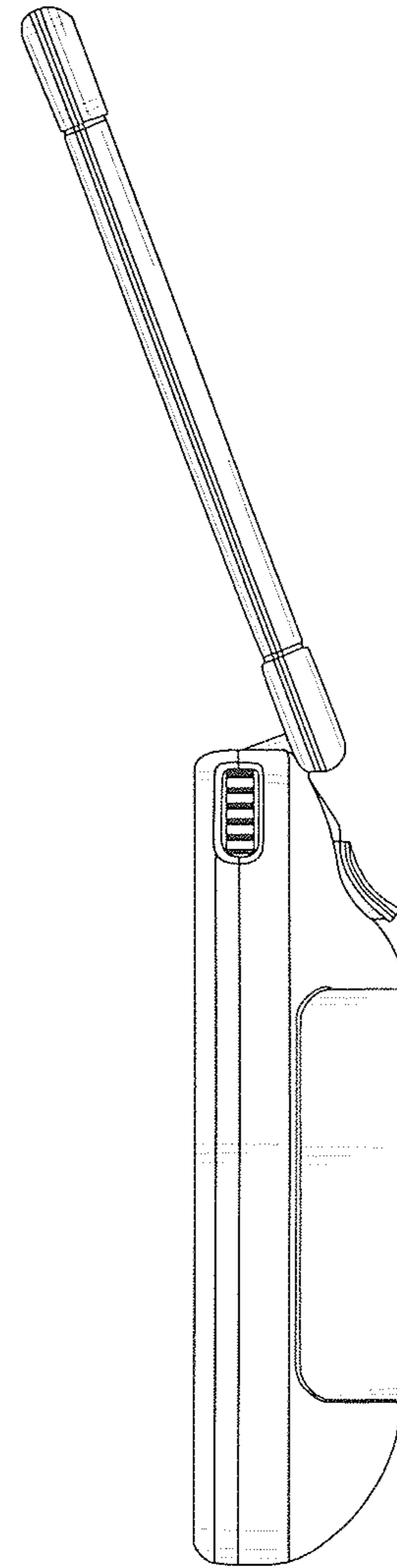


FIG. 6

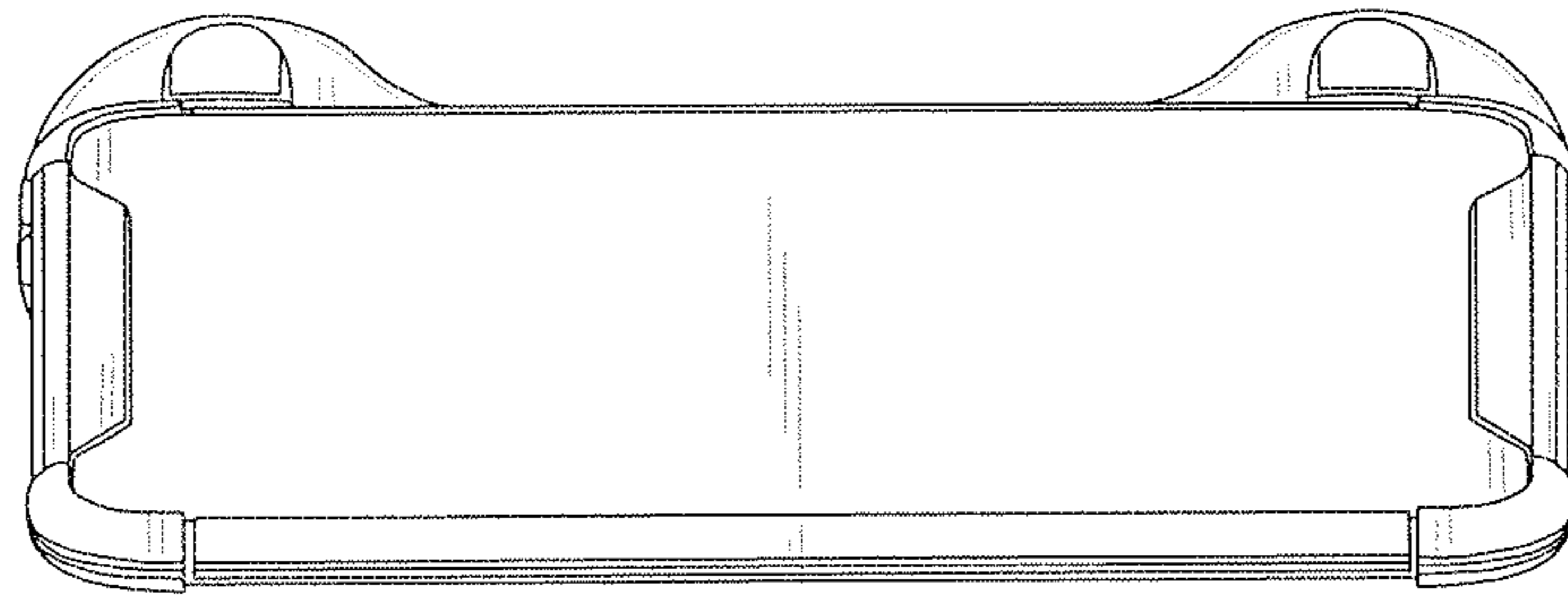


FIG. 7

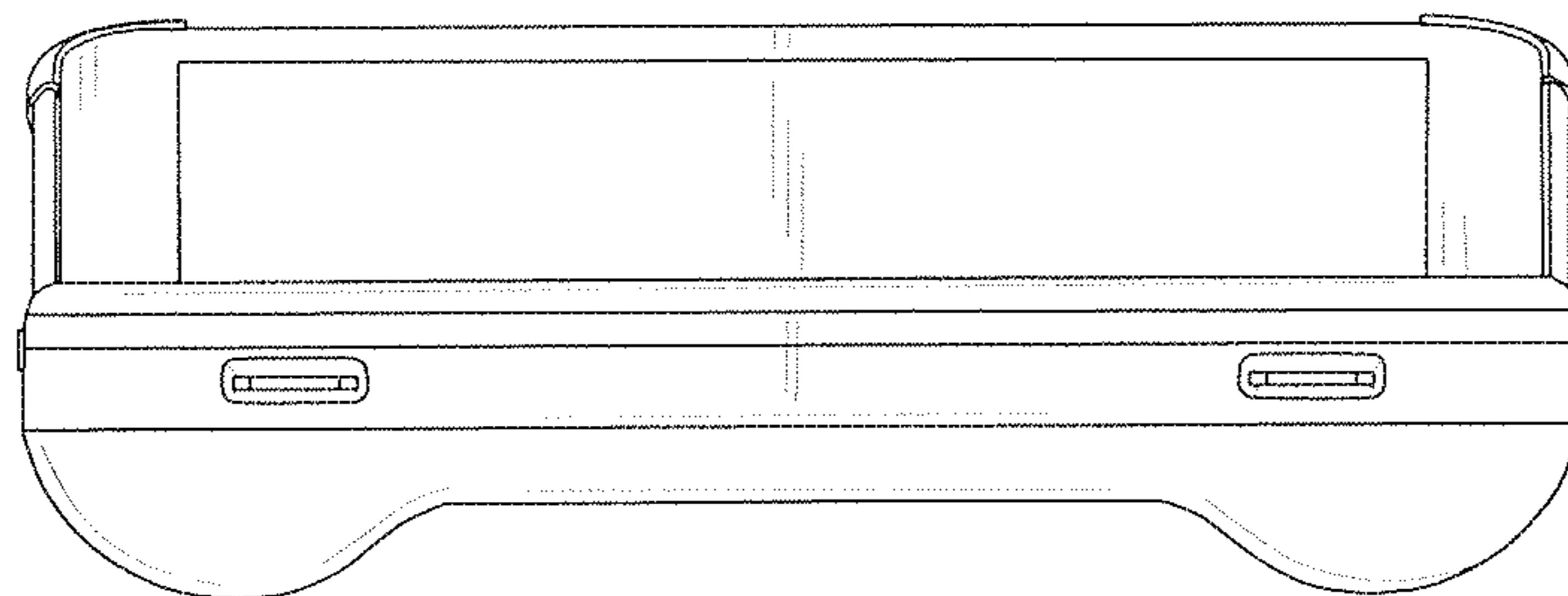


FIG. 8

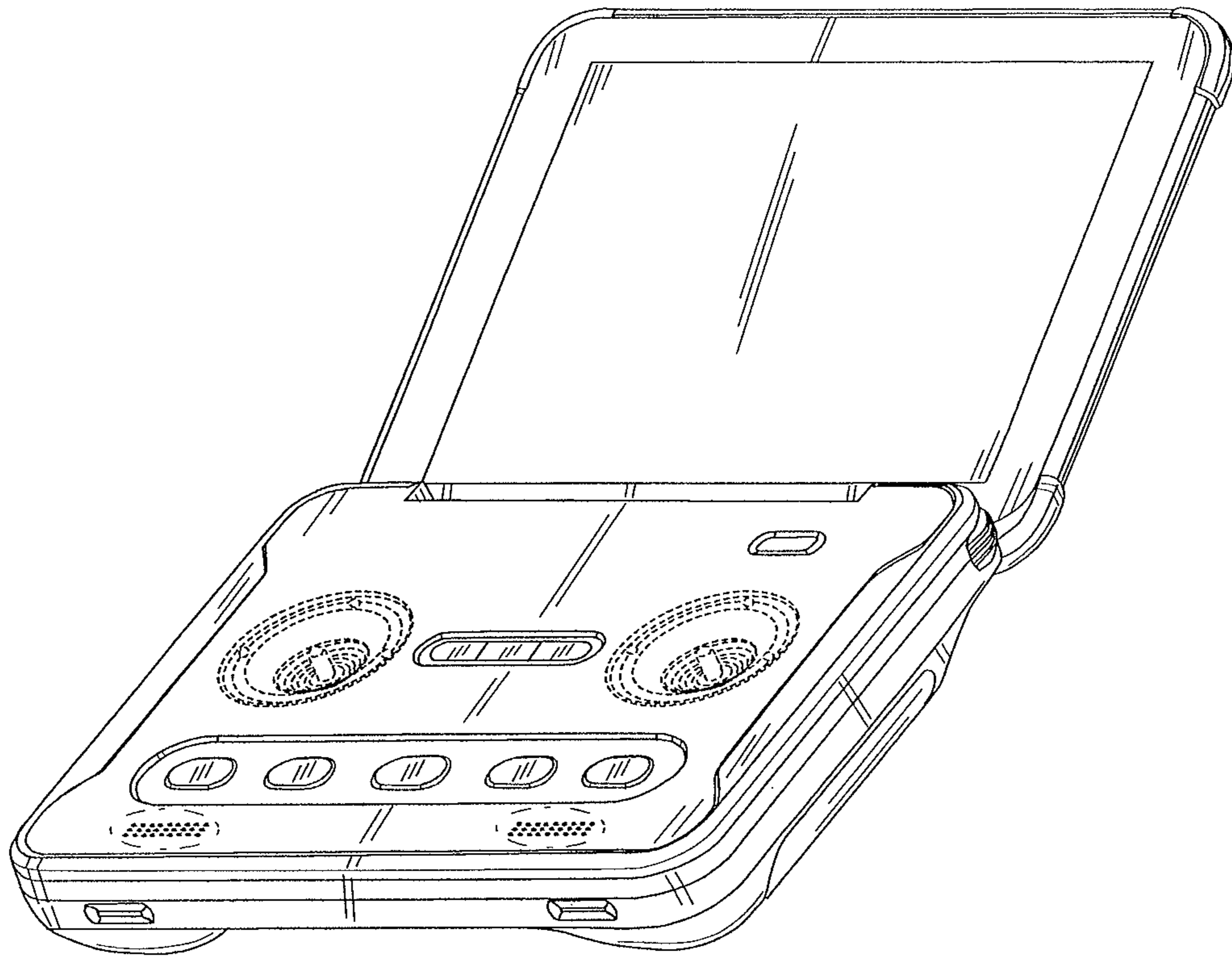


FIG. 9

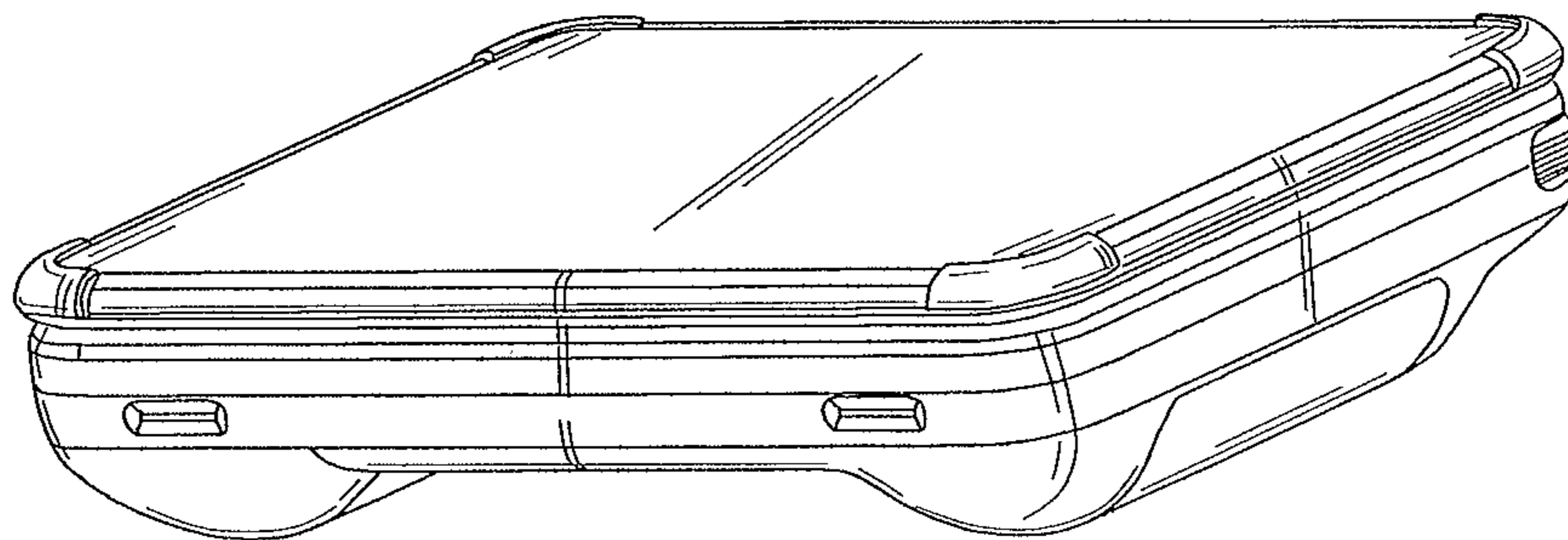


FIG. 10

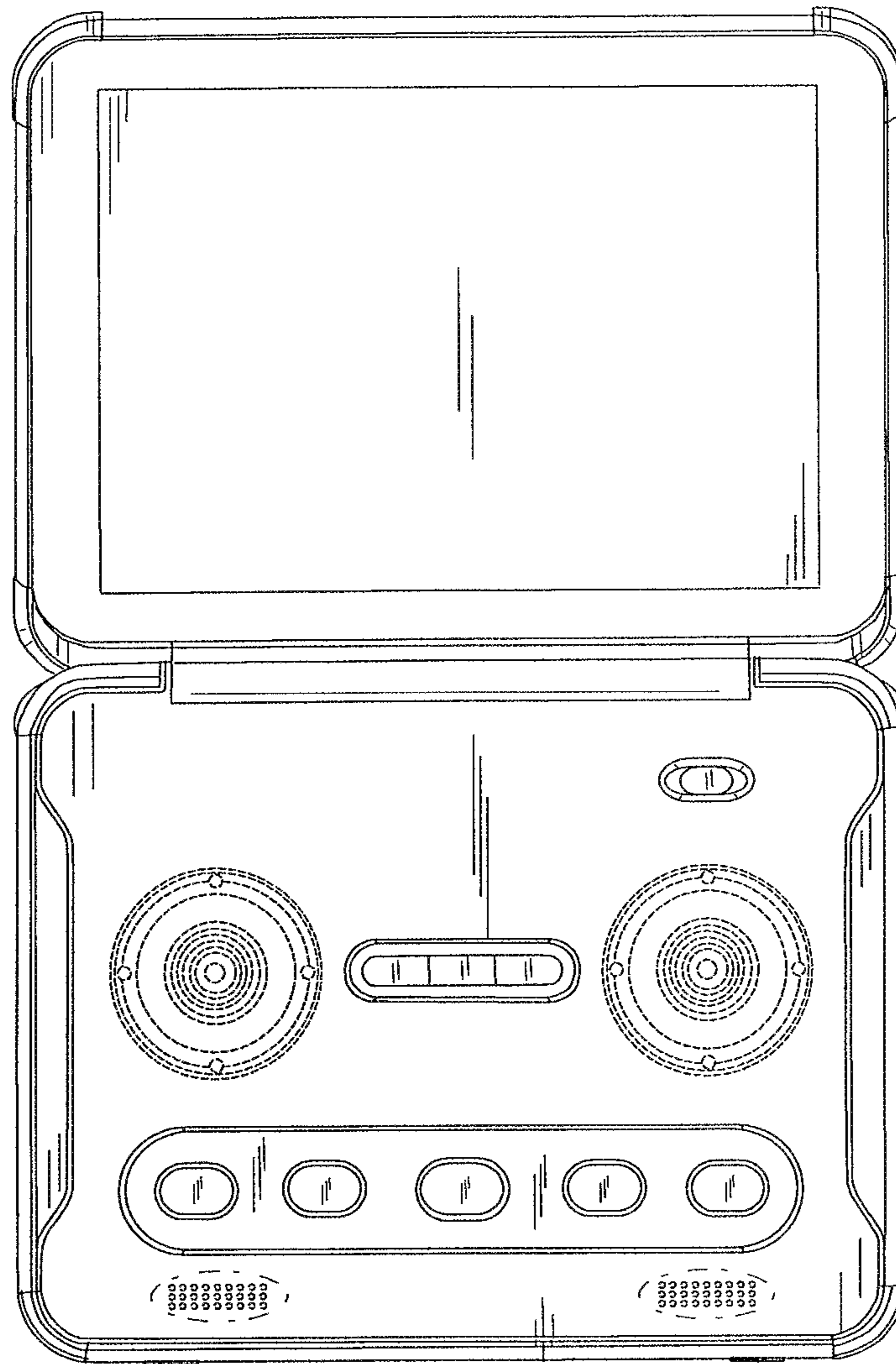


FIG. 11

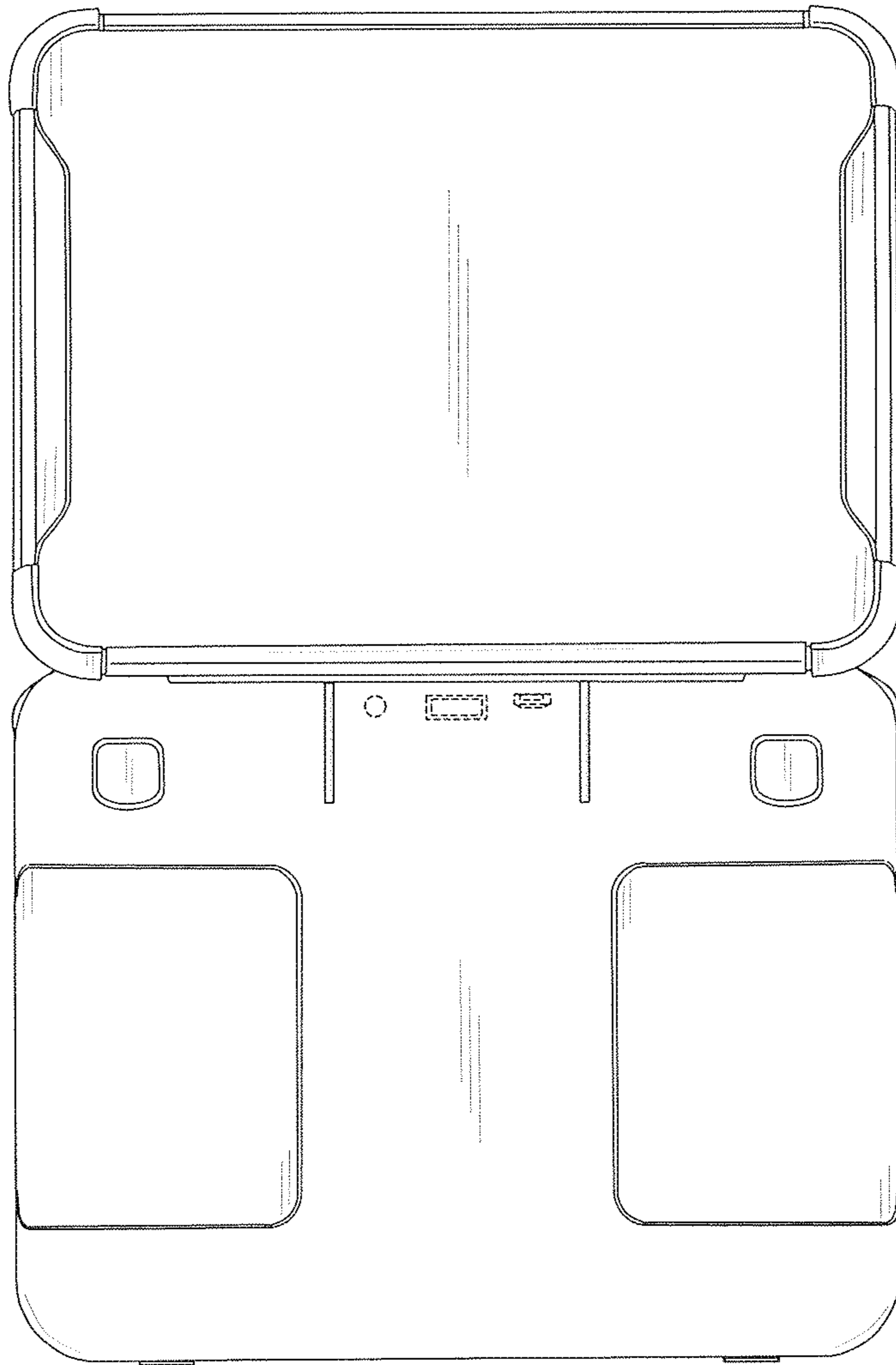


FIG. 12

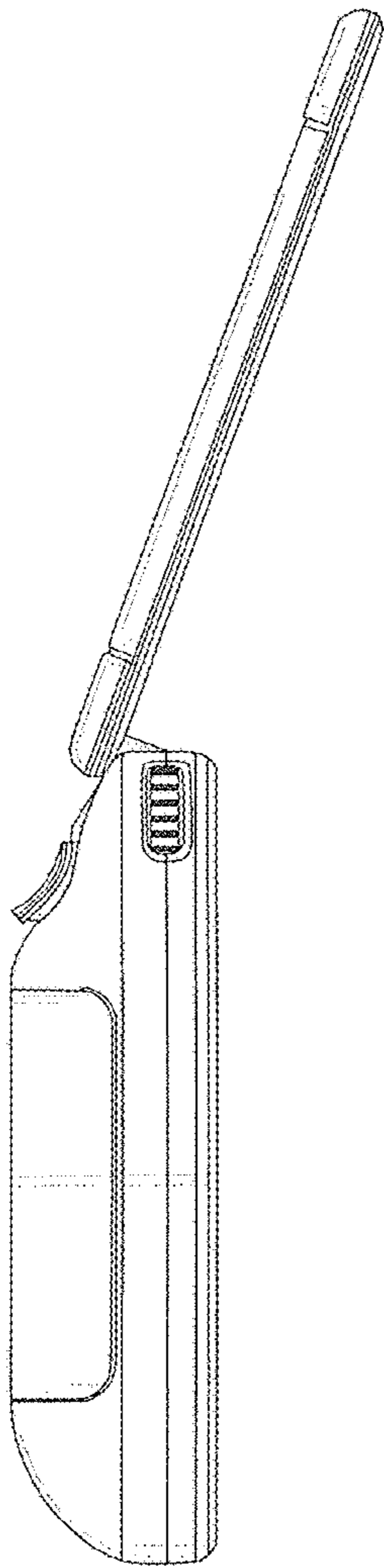


FIG. 13

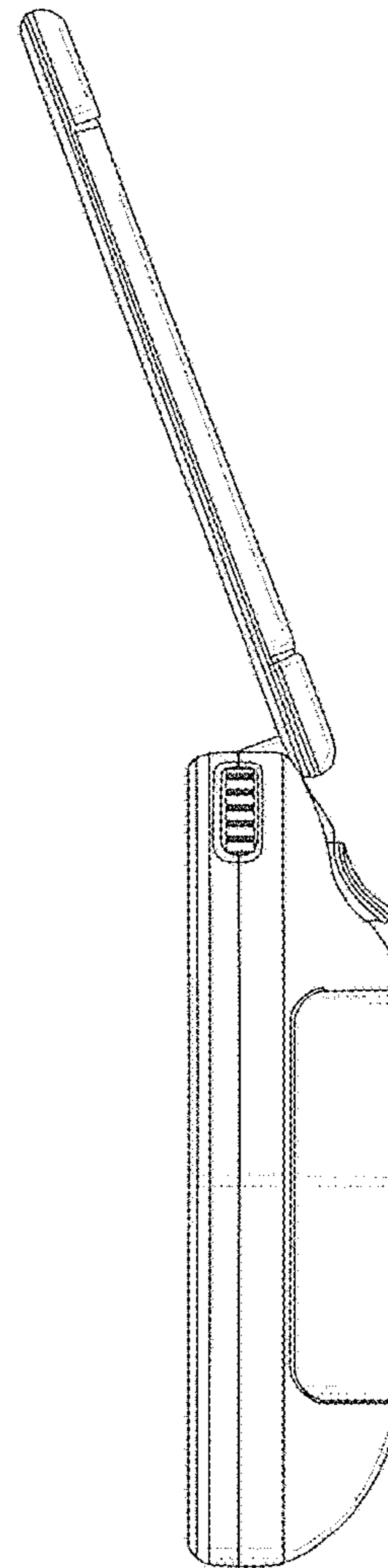


FIG. 14

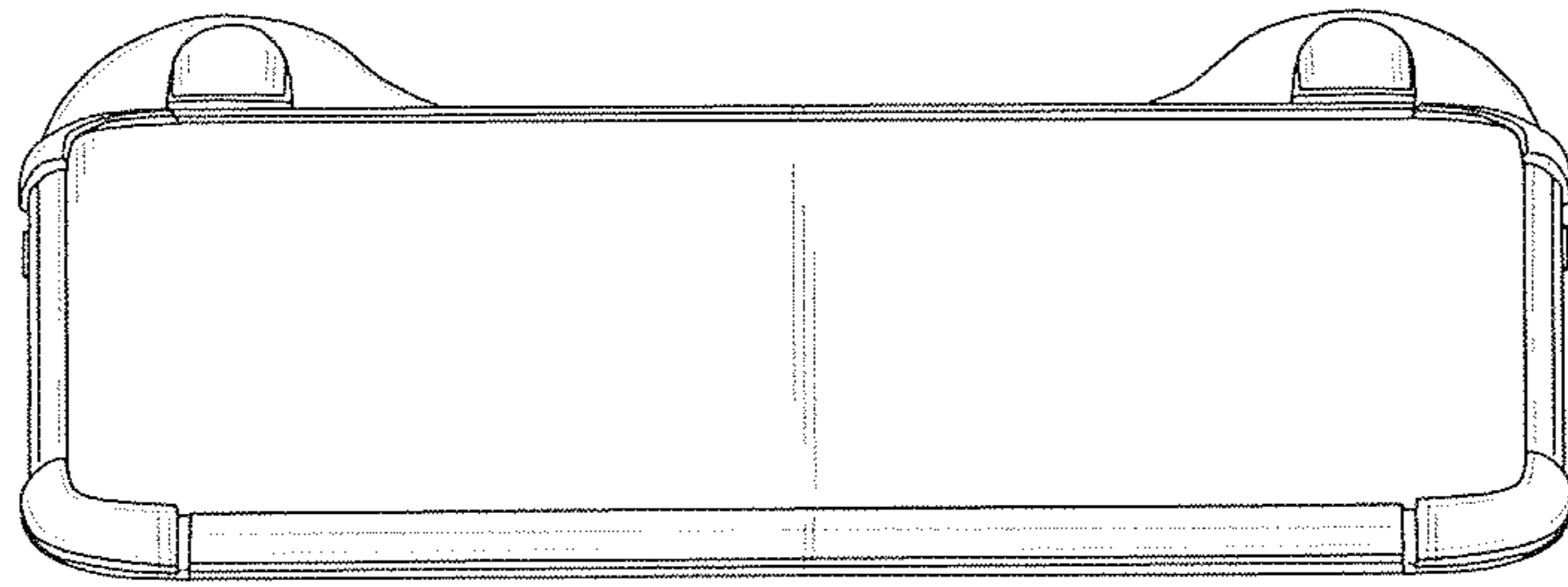


FIG. 15

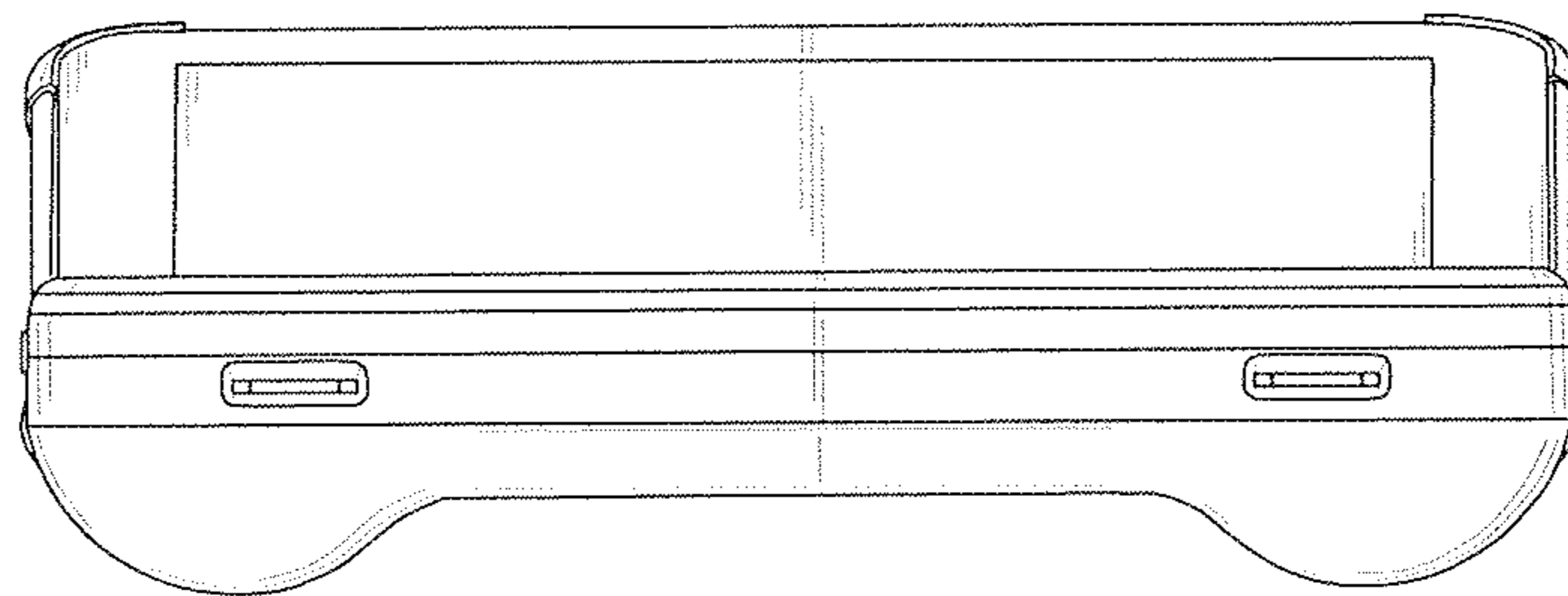


FIG. 16