



US00D824458S

(12) **United States Design Patent** (10) **Patent No.:** **US D824,458 S**
Väärsi (45) **Date of Patent:** **** Jul. 31, 2018**

(54) **UNMANNED GROUND VEHICLE**

(71) Applicant: **MILREM AS**, Tallinn (EE)

(72) Inventor: **Kuldar Väärsi**, Tallinn (EE)

(73) Assignee: **Milrem AS**, Tallinn (EE)

(**) Term: **15 Years**

(21) Appl. No.: **35/501,350**

(22) Filed: **May 19, 2016**

(80) **Hague Agreement Data**

Int. Filing Date: **May 19, 2016**

Int. Reg. No.: **DM/091798**

Int. Reg. Date: **May 19, 2016**

Int. Reg. Pub. Date: **Aug. 5, 2016**

(30) **Foreign Application Priority Data**

Mar. 24, 2016 (EM) 003040872

(51) **LOC (11) Cl.** **21-01**

(52) **U.S. Cl.**
USPC **D21/533; D12/1**

(58) **Field of Classification Search**

USPC D21/447, 451, 533, 548, 557, 560, 561,
D21/562, 578, 579, 580, 581, 582, 584,
D21/585, 592; D12/1, 12, 14, 16.1, 319
CPC B62D 55/075; B62D 63/02; B60P 3/00;
B60K 7/0007

See application file for complete search history.

(56) **References Cited**

U.S. PATENT DOCUMENTS

4,248,006 A * 2/1981 Jones A63H 17/002
446/313
D630,269 S * 1/2011 Matsuda D21/533

7,926,598 B2 * 4/2011 Rudakevych B62D 55/06
180/8.1
D639,351 S * 6/2011 Newmayer D21/533
8,260,459 B2 * 9/2012 Herbert B62D 57/02
700/245
D678,426 S * 3/2013 Lee D21/552
D711,479 S * 8/2014 Lee D15/199
D792,524 S * 7/2017 Lee D21/533
2006/0071116 A1 * 4/2006 Quenneville B65H 75/425
242/557
2011/0036650 A1 * 2/2011 Simula B62D 55/065
180/9.44
2011/0054717 A1 * 3/2011 Yamauchi G05D 1/0038
701/2
2014/0110183 A1 * 4/2014 Rudakevych B60K 7/0007
180/9.32
2016/0311480 A1 * 10/2016 Franceschi B62D 55/084
2017/0158266 A1 * 6/2017 Rudakevych B62D 55/075
2017/0158270 A1 * 6/2017 Meager B62D 63/02

* cited by examiner

Primary Examiner — Darlington Ly

(74) *Attorney, Agent, or Firm* — Christopher M. Scherer;
DeWitt Ross & Stevens S.C.

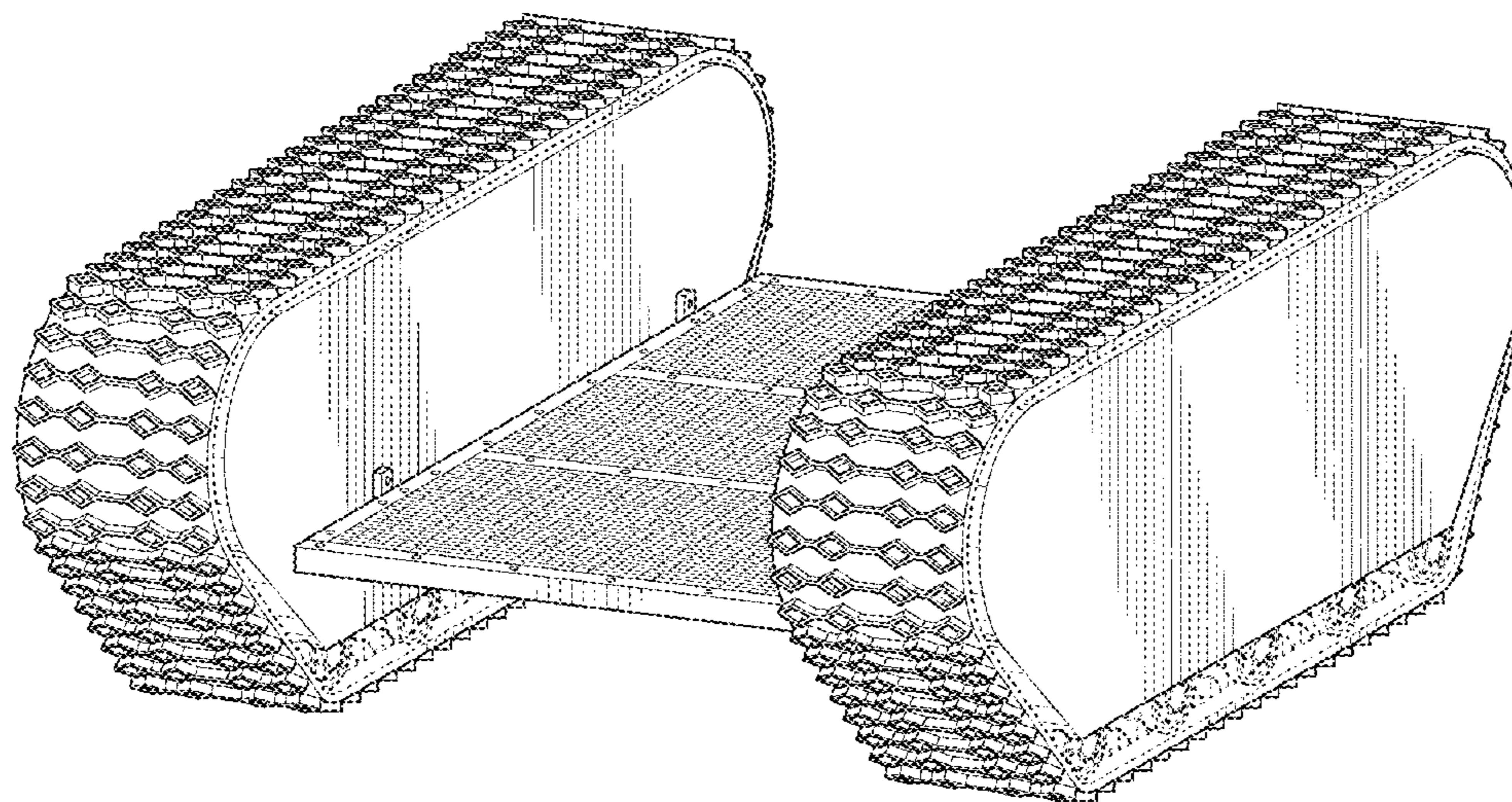
(57) **CLAIM**

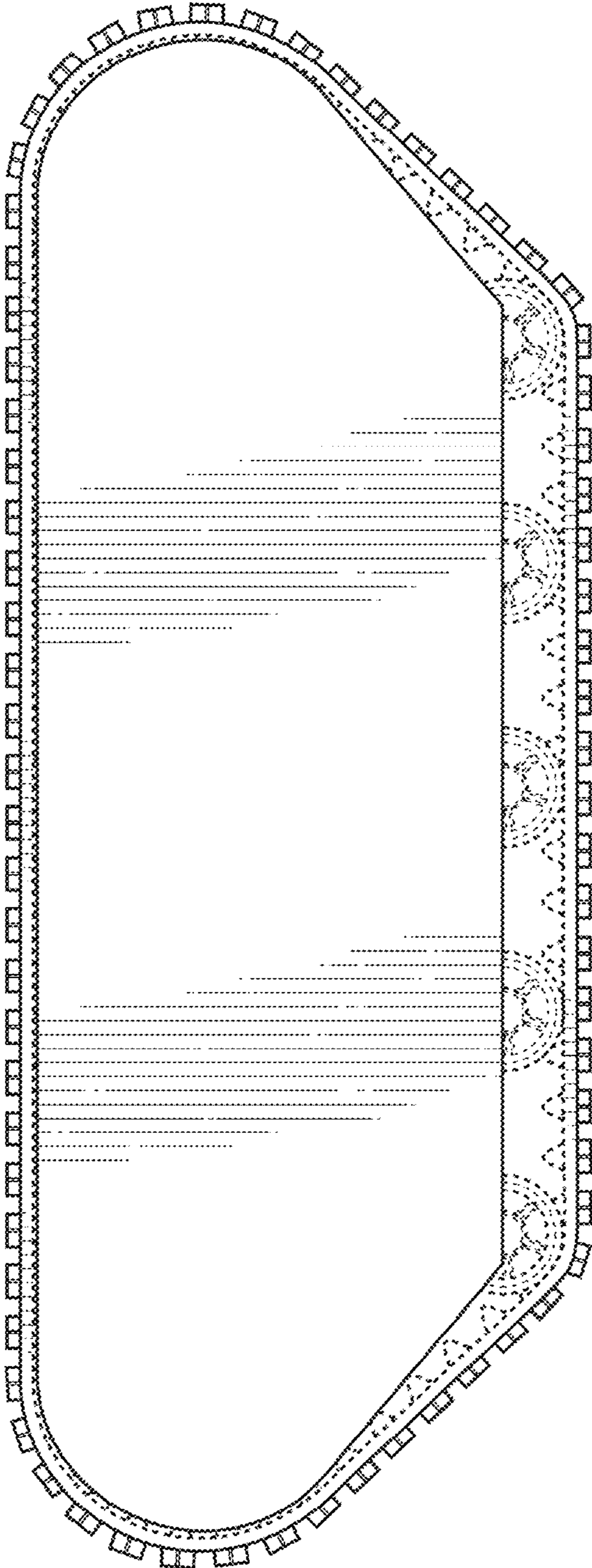
The ornamental design for an unmanned ground vehicle, as shown and described.

DESCRIPTION

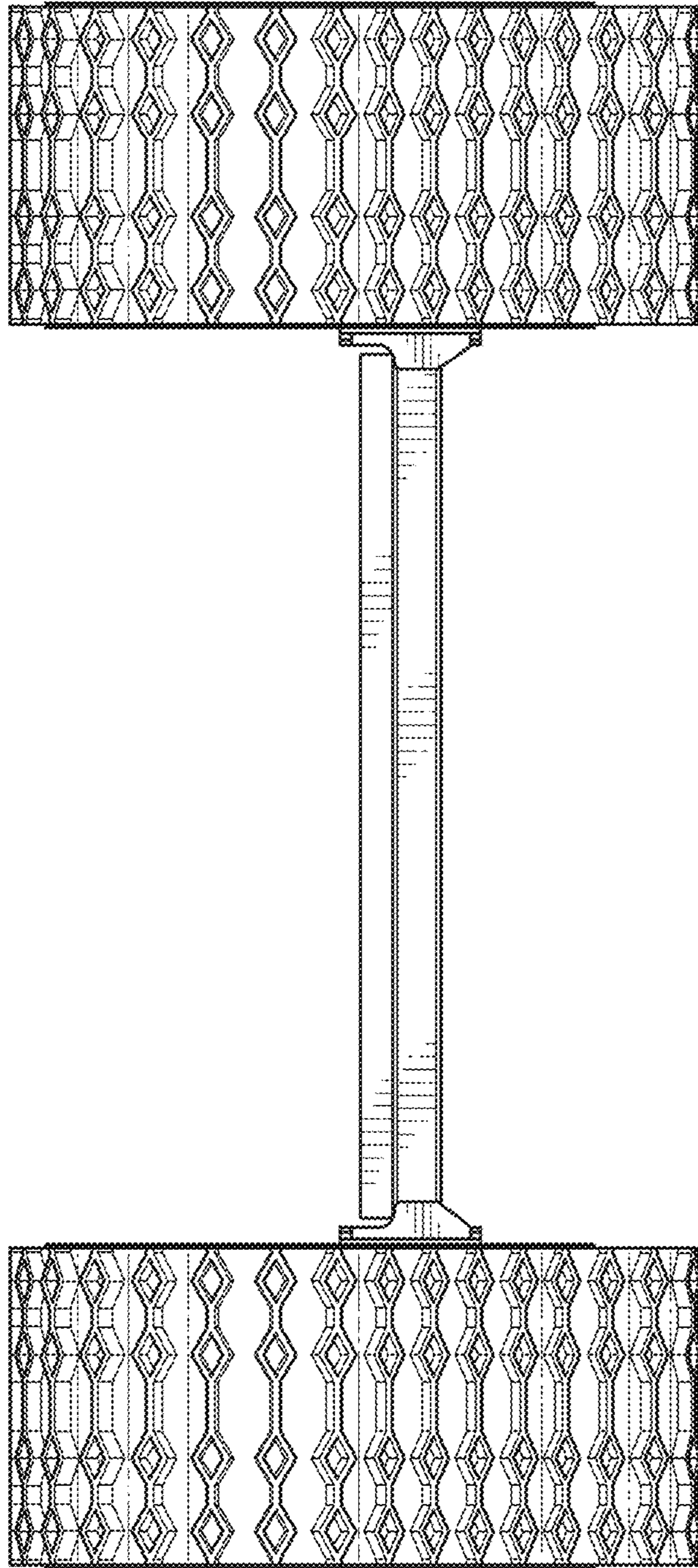
1. Unmanned ground vehicle
1.1 is a right side elevation view of an unmanned ground vehicle showing my new design;
1.2 is a front elevation view thereof;
1.3 is a top plan view thereof;
1.4 is a top perspective view thereof; and
1.5 is a bottom perspective view thereof.
The broken lines in the drawings are included for the purpose of illustrating portions of the unmanned ground vehicle that form no part of the claimed design.

1 Claim, 5 Drawing Sheets

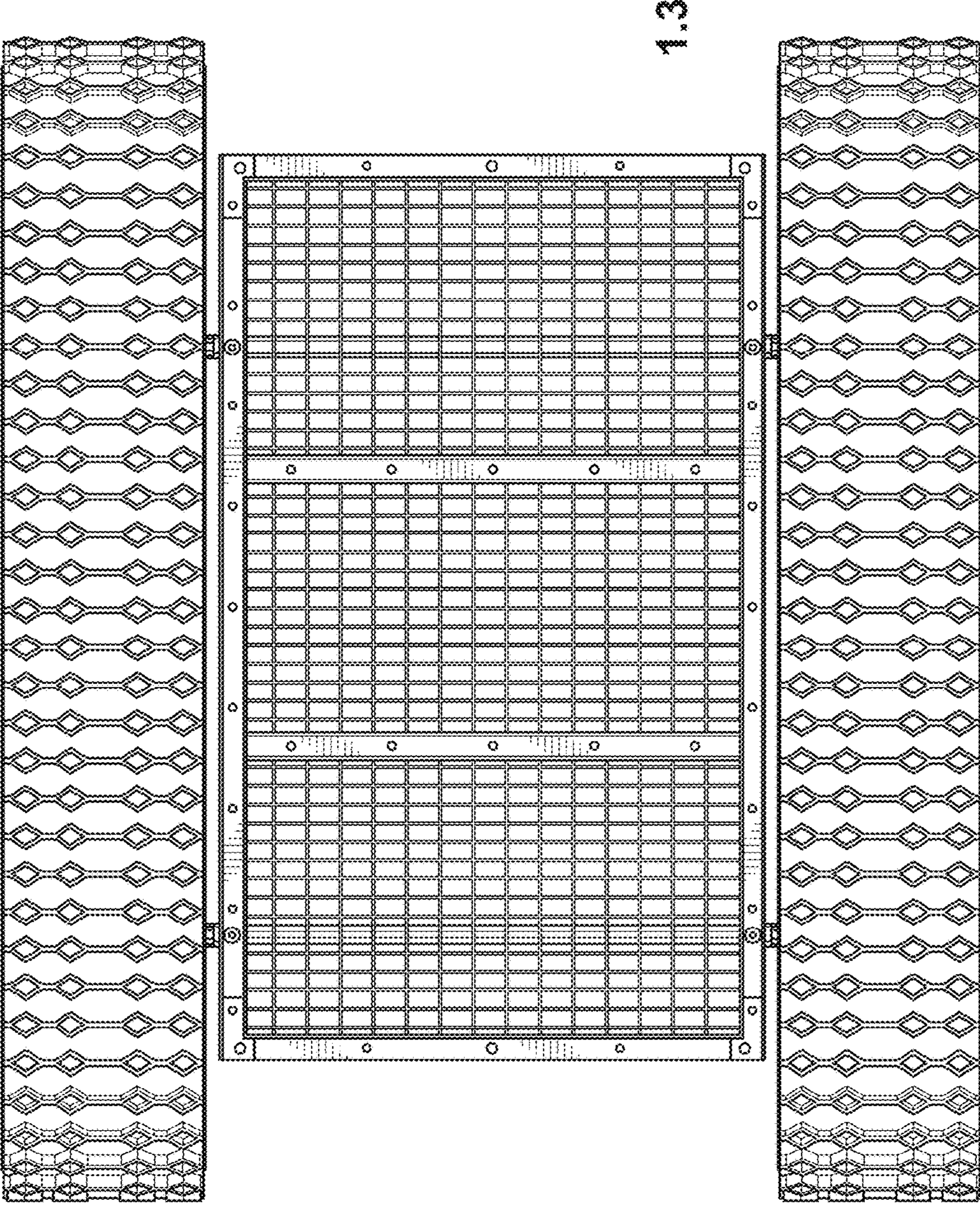


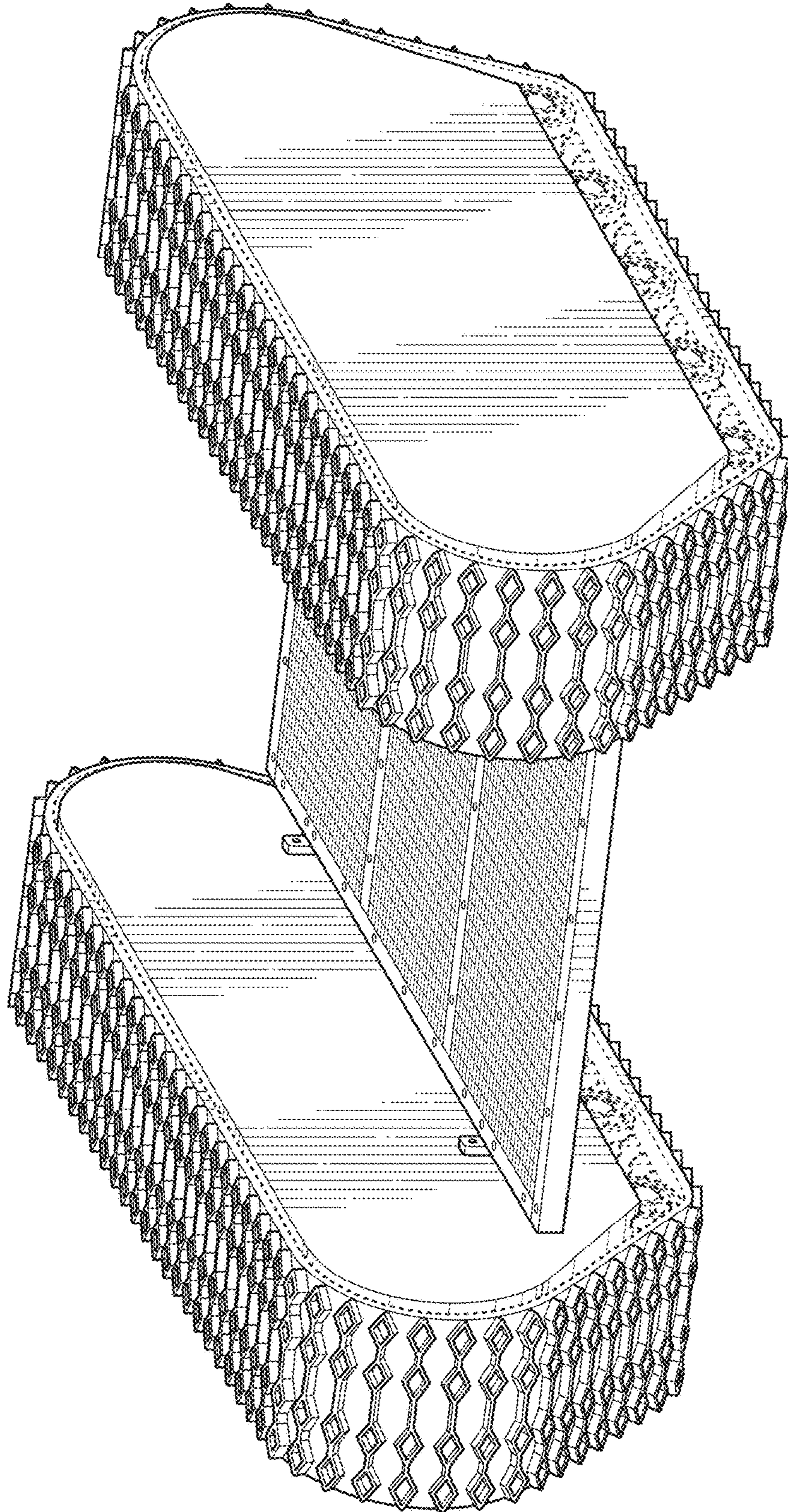


1.1

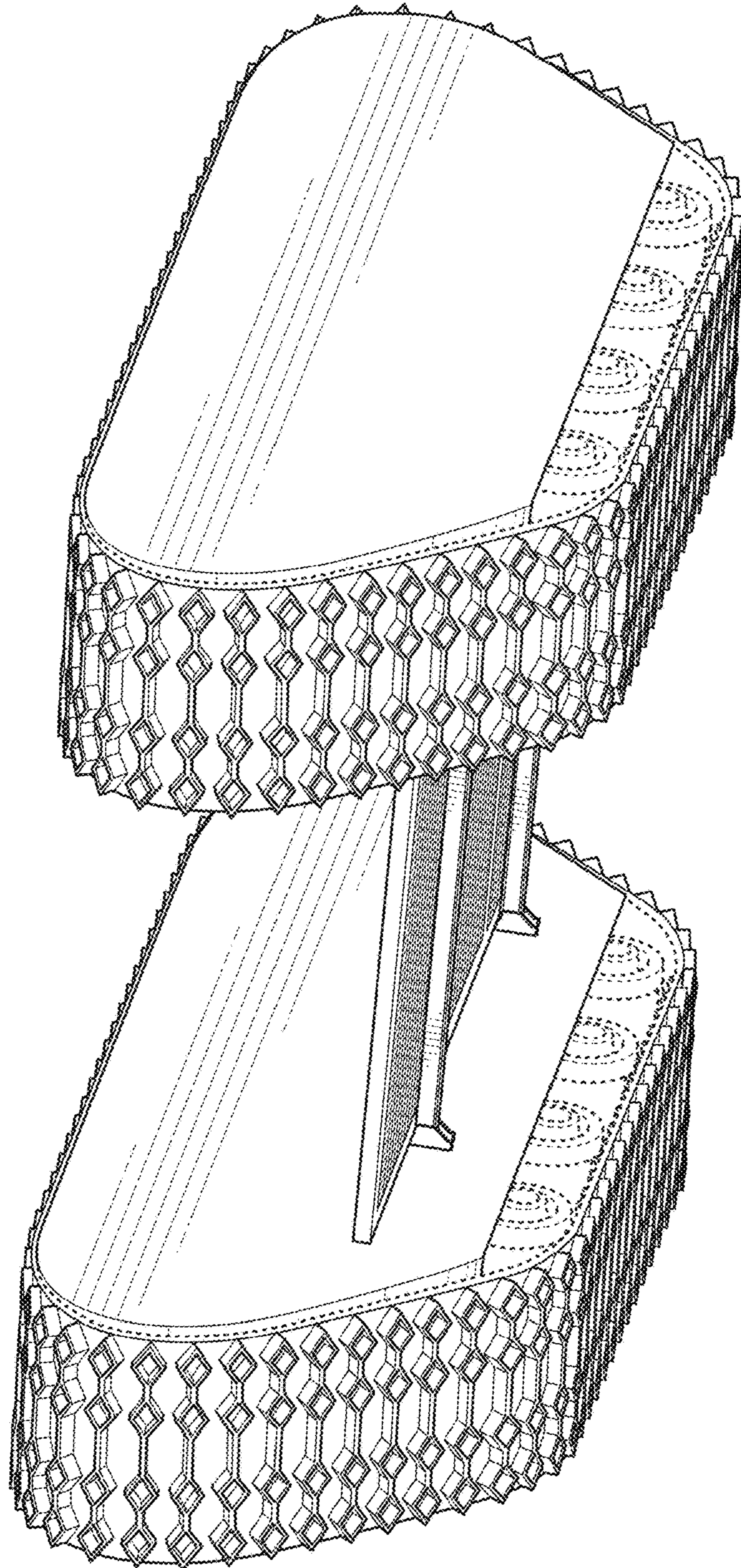


1.2





1.4



1.5