

US00D824452S

(12) **United States Design Patent** (10) **Patent No.:** **US D824,452 S**
Ellis (45) **Date of Patent:** **** Jul. 31, 2018**

(54) **EYEGLASS SUPPORT ASSEMBLY**
(71) Applicant: **Clifford E. Ellis**, Westover, WV (US)
(72) Inventor: **Clifford E. Ellis**, Westover, WV (US)
(**) Term: **15 Years**
(21) Appl. No.: **29/593,779**
(22) Filed: **Feb. 13, 2017**
(51) **LOC (11) Cl.** **16-06**
(52) **U.S. Cl.**
USPC **D16/330**
(58) **Field of Classification Search**
USPC D20/42, 672, 682, 682.5, 682.3; D6/672,
D6/682, 682.1; D16/136, 300, 311, 320,
D16/322, 330, 339; D12/417; D3/266
CPC .. A47F 7/00; A47F 7/0028; A47F 7/02; A47F
7/021; A47F 7/022; A47F 7/024; A47F
7/0243; G02C 3/00; G02C 5/12; G02C
5/001; G02C 11/00; A61F 5/08
See application file for complete search history.

3,944,344 A * 3/1976 Wichers G02C 1/04
16/228
3,955,885 A * 5/1976 Aronsohn G02C 3/00
351/155
4,011,953 A * 3/1977 Engelman A47F 7/021
211/85.1
4,336,759 A * 6/1982 Hannecke A47F 5/06
108/144.11
D269,619 S * 7/1983 Engelmann D3/266
D274,626 S * 7/1984 Roberts D16/330
D282,548 S * 2/1986 Shells D16/330
4,813,776 A * 3/1989 Borsos G02C 5/126
351/137
5,069,416 A * 12/1991 Ennis A47F 7/021
211/85.1
D325,590 S * 4/1992 Galy 2/13
D329,763 S * 9/1992 Cuminale D6/310
D348,682 S * 7/1994 Losmandy D16/136
D350,436 S * 9/1994 Seach D3/266
D351,955 S * 11/1994 Ennis D6/678
D356,221 S * 3/1995 Griffith D6/682
D361,202 S * 8/1995 Seach D3/266

(Continued)

Primary Examiner — Mary Ann Calabrese
Assistant Examiner — Sloan Rozin
(74) *Attorney, Agent, or Firm* — Dinsmore & Shohl LLP;
Monika L. Jaensson, Esq.

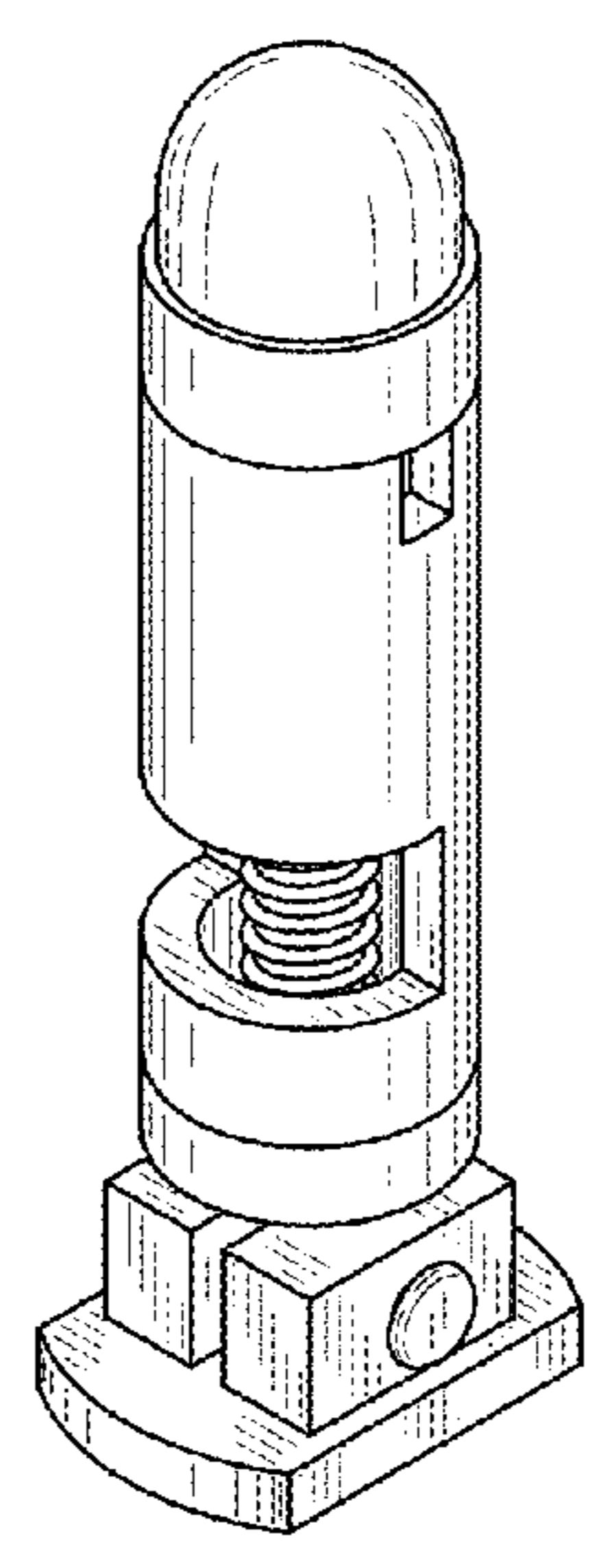
(56) **References Cited**
U.S. PATENT DOCUMENTS
D29,886 S * 12/1898 Knowlton D26/20
D30,844 S * 5/1899 Roed D8/363
758,629 A * 5/1904 Eason G02C 3/02
351/130
1,686,993 A * 10/1928 Suter F16M 7/00
248/246
2,006,569 A * 7/1935 Bock G02C 5/04
351/130
2,504,524 A * 4/1950 Hayward G02C 3/003
2/445
2,958,495 A * 11/1960 Foster A47G 29/08
24/3.1
2,965,099 A * 12/1960 Aufricht A61F 5/08
351/123

(57) **CLAIM**
The ornamental design for an eyeglass support assembly, as shown and described.

DESCRIPTION

FIG. 1 is a perspective view of an eyeglass support system;
FIG. 2 is a front view thereof;
FIG. 3 is a rear view thereof;
FIG. 4 is a right side view thereof;
FIG. 5 is a left side view thereof;
FIG. 6 is top view thereof; and,
FIG. 7 is a bottom view thereof.

1 Claim, 4 Drawing Sheets



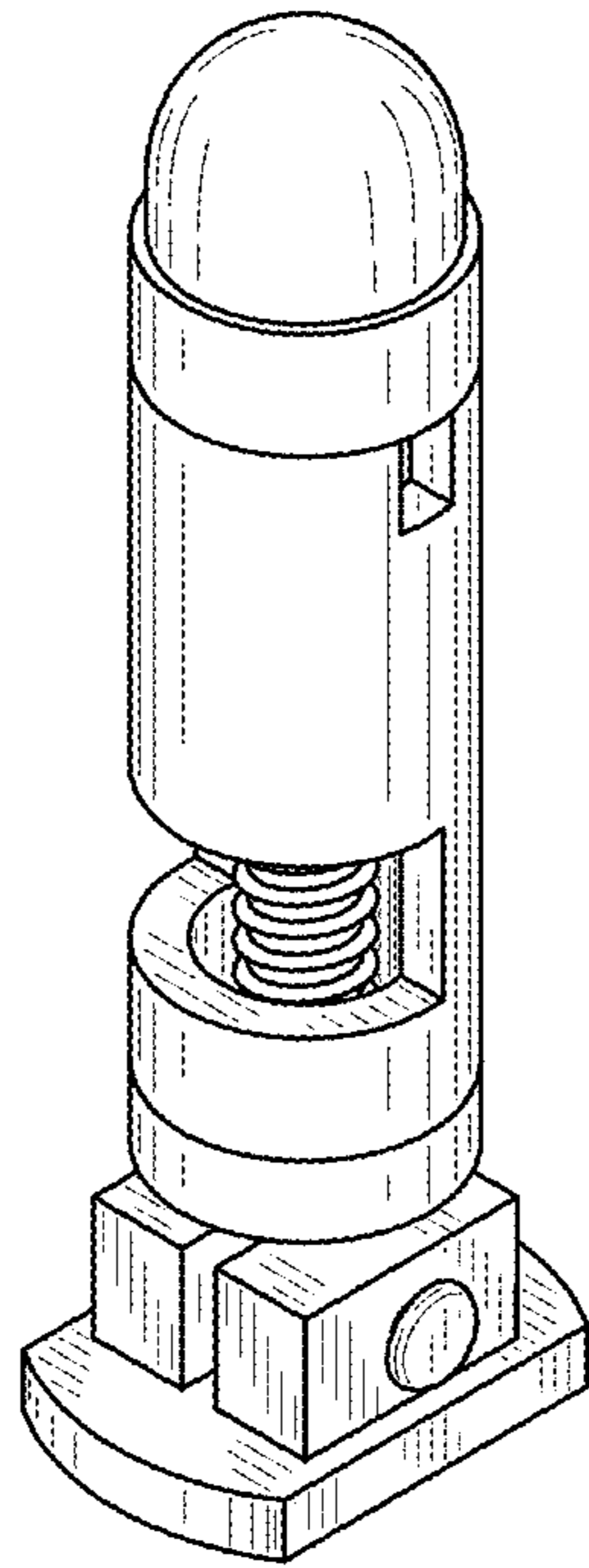


FIG. 1

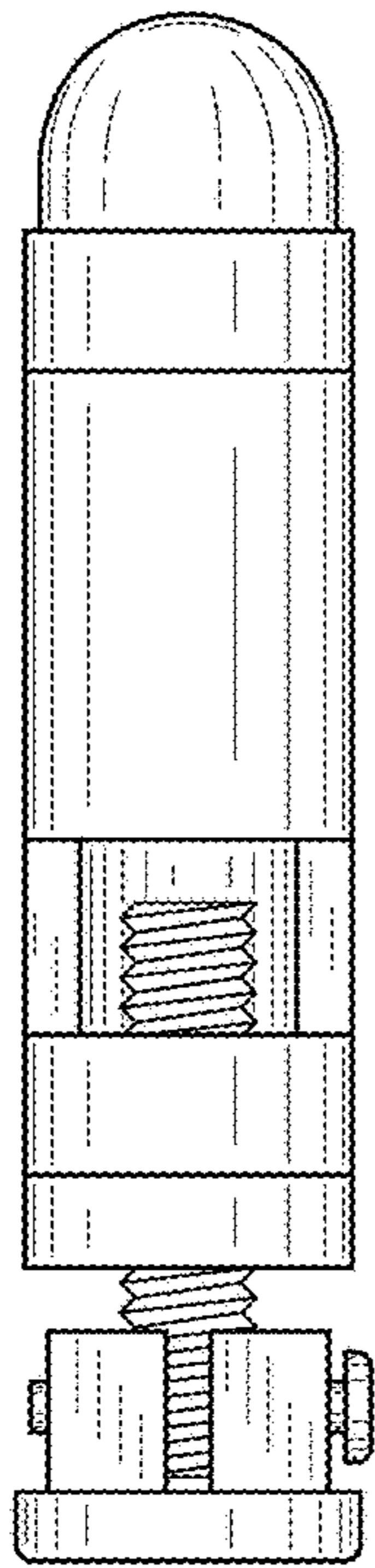


FIG. 2

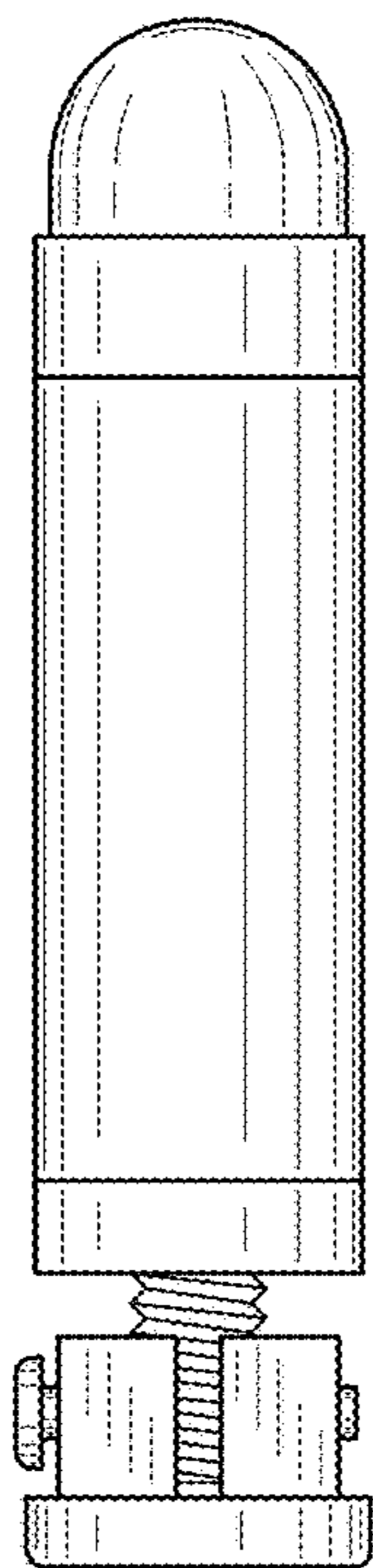


FIG. 3

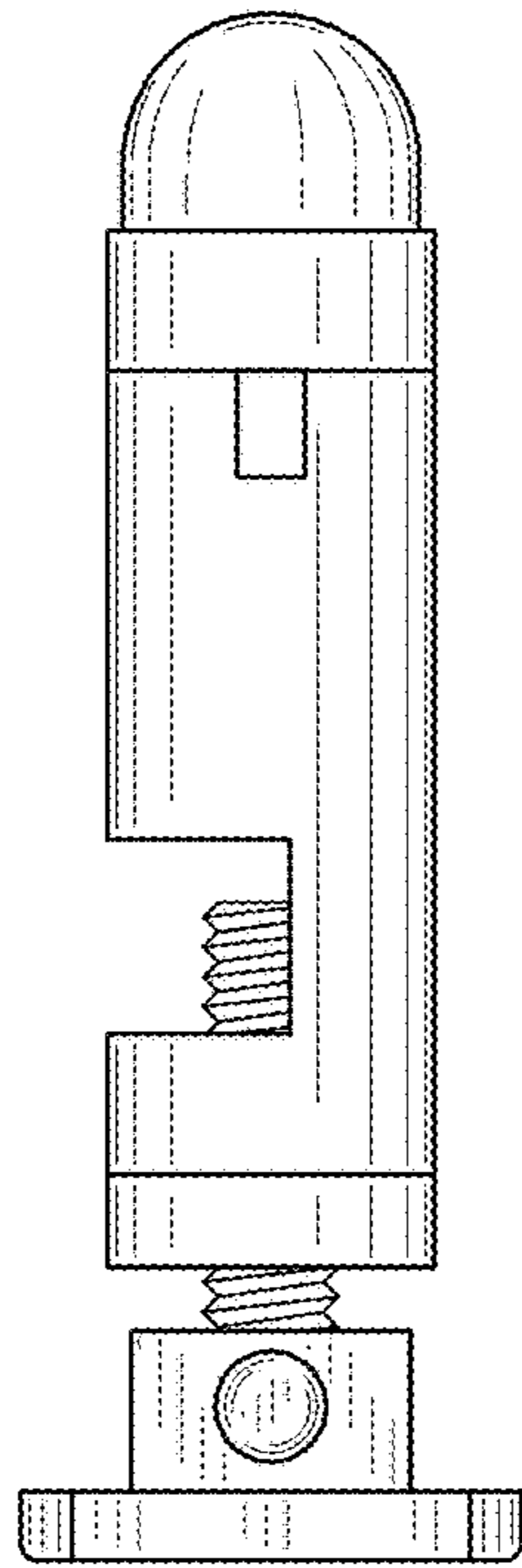


FIG. 4

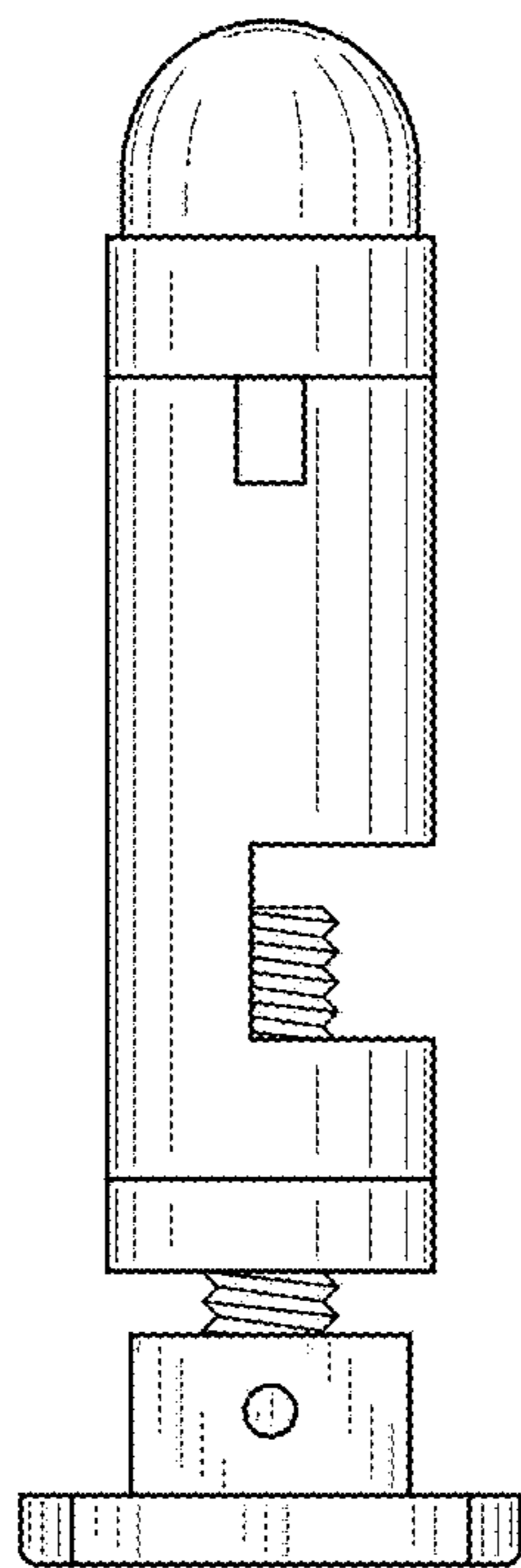


FIG. 5

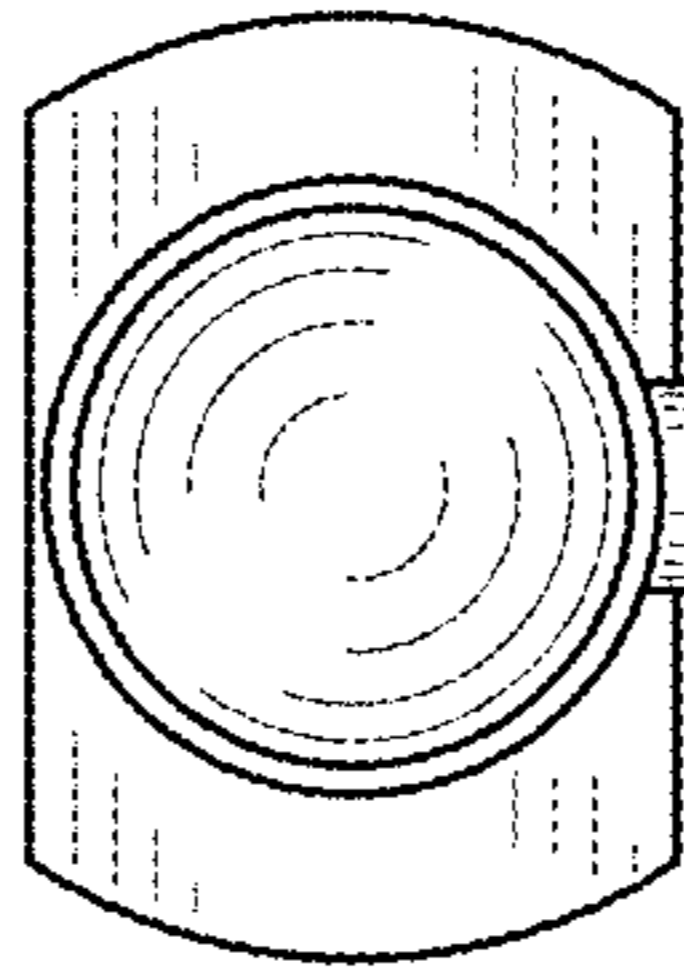


FIG. 6



FIG. 7