



US00D824447S

(12) **United States Design Patent**  
**Li**

(10) **Patent No.:** **US D824,447 S**  
(45) **Date of Patent:** **\*\* Jul. 31, 2018**

(54) **NETWORK CAMERA**  
(71) Applicant: **Shenzhen Dericam Technology Co., Ltd.**, Shenzhen (CN)  
(72) Inventor: **Zhiqiang Li**, Shenzhen (CN)  
(73) Assignee: **SHENZHEN DERICAM TECHNOLOGY CO., LTD.**, Shenzhen (CN)  
(\*\*) Term: **15 Years**

6,634,804 B1 \* 10/2003 Toste ..... F16M 11/10  
396/427  
D486,173 S \* 2/2004 Toste ..... D16/242  
6,735,382 B2 \* 5/2004 Schneider ..... G08B 13/19619  
348/143  
D503,183 S \* 3/2005 Arbuckle ..... D16/203  
7,306,383 B2 \* 12/2007 Jones ..... G08B 13/19619  
348/373  
D563,451 S \* 3/2008 Cheng ..... D16/203  
D564,005 S \* 3/2008 Cheng ..... D16/203  
D651,068 S \* 12/2011 Kang ..... D8/363  
D666,236 S \* 8/2012 Rix ..... D16/242  
D701,258 S \* 3/2014 Huang ..... D16/203  
D734,379 S \* 7/2015 Tankersley ..... D16/203

(21) Appl. No.: **29/601,316**

\* cited by examiner

(22) Filed: **Apr. 21, 2017**

*Primary Examiner* — Philip S Hyder  
*Assistant Examiner* — Ramzi Almatrahi

(30) **Foreign Application Priority Data**

(74) *Attorney, Agent, or Firm* — Hemisphere Law, PLLC;  
Zhigang Ma

Mar. 23, 2017 (CN) ..... 2017 3 0088770

(51) **LOC (11) Cl.** ..... **16-01**

(52) **U.S. Cl.**  
USPC ..... **D16/203**

(58) **Field of Classification Search**  
USPC ..... D16/200, 202–206, 218, 219, 242;  
348/143, 148, 151, 373–376; 396/419,  
396/427, 535, 539–541  
CPC ..... G03B 17/02; G03B 19/04; G03B 17/56;  
G03B 17/04; G03B 15/03; H04N 5/2251;  
H04N 5/2252; H04N 5/2253; H04N  
5/2254; H04N 7/181; H04N 7/183; H04N  
7/18; G08B 13/1963; G08B 13/19619;  
G08B 13/19632; F16M 11/04; F16M  
13/00

See application file for complete search history.

(56) **References Cited**

**U.S. PATENT DOCUMENTS**

D424,087 S \* 5/2000 Frick ..... 396/427  
D461,485 S \* 8/2002 Jones ..... 396/427

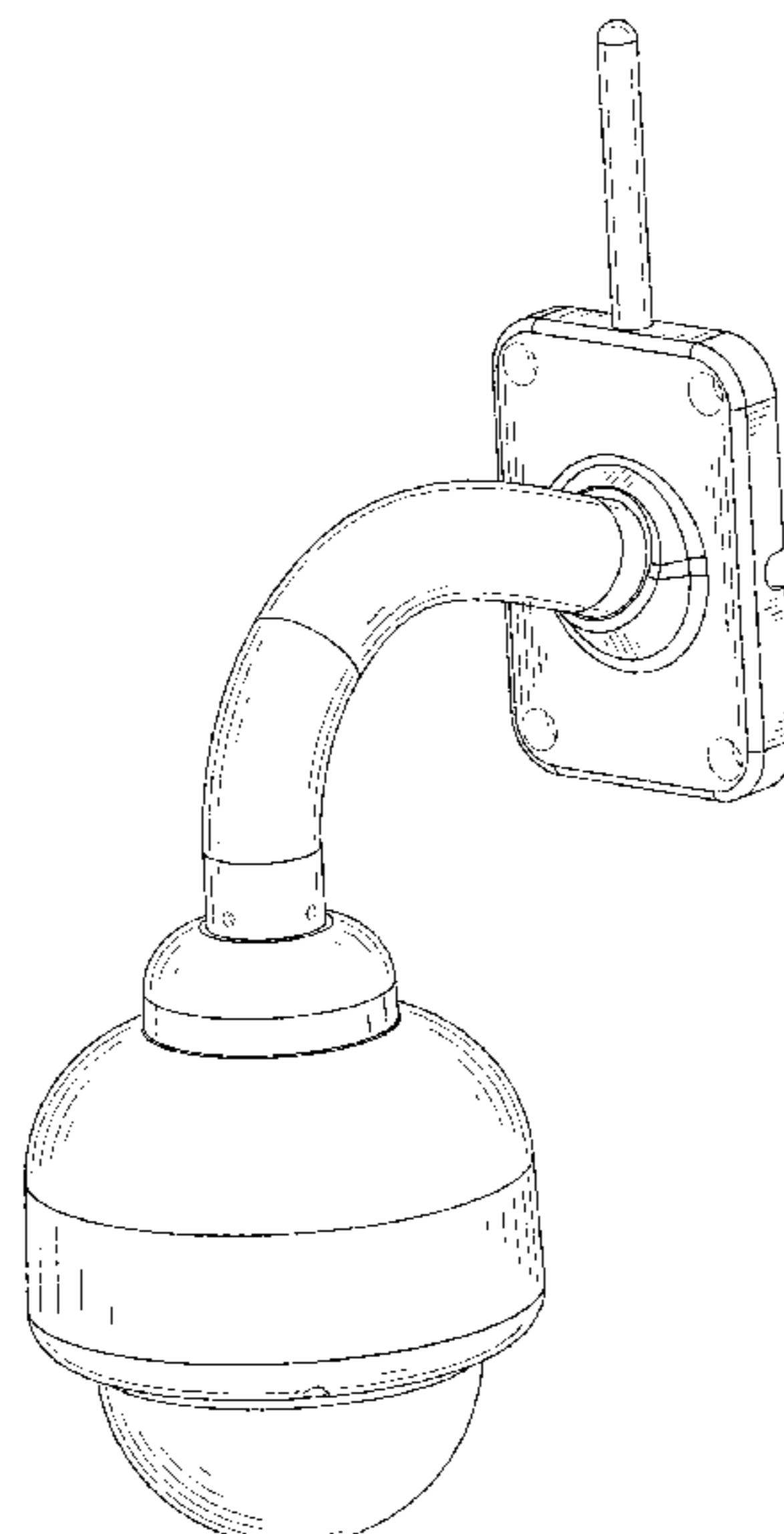
(57) **CLAIM**

The ornamental design for a network camera, as shown and described.

**DESCRIPTION**

FIG. 1 is a perspective view of a network camera showing our new ornamental design;  
FIG. 2 is a front elevational view thereof;  
FIG. 3 is a rear elevational view thereof;  
FIG. 4 is a left side elevational view thereof;  
FIG. 5 is a right side elevational view thereof;  
FIG. 6 is a top plan view thereof; and,  
FIG. 7 is a bottom plan view thereof.  
The broken lines depict portions of the network camera in which the design is embodied that form no part of the claimed design.

**1 Claim, 7 Drawing Sheets**



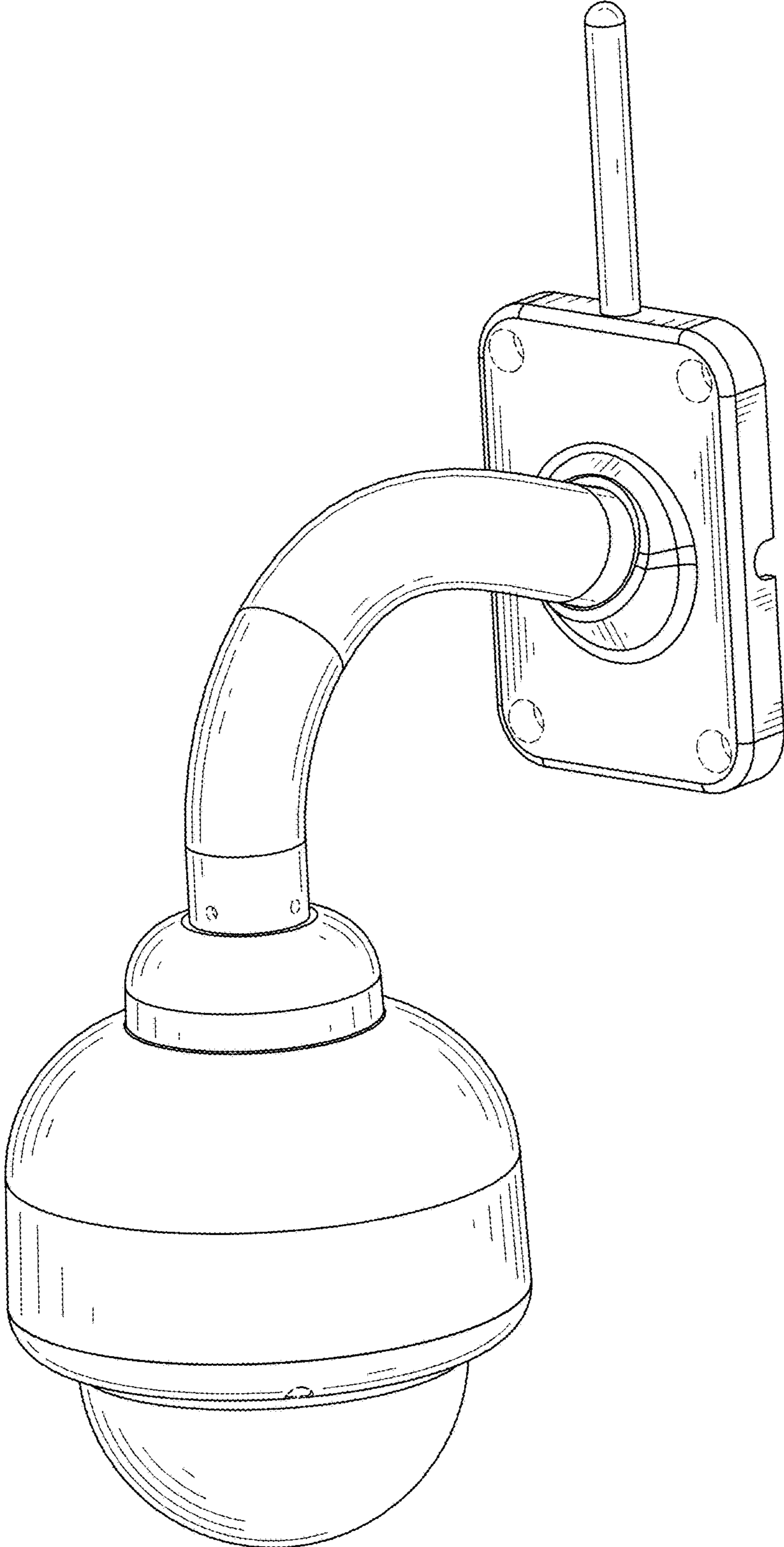


FIG. 1

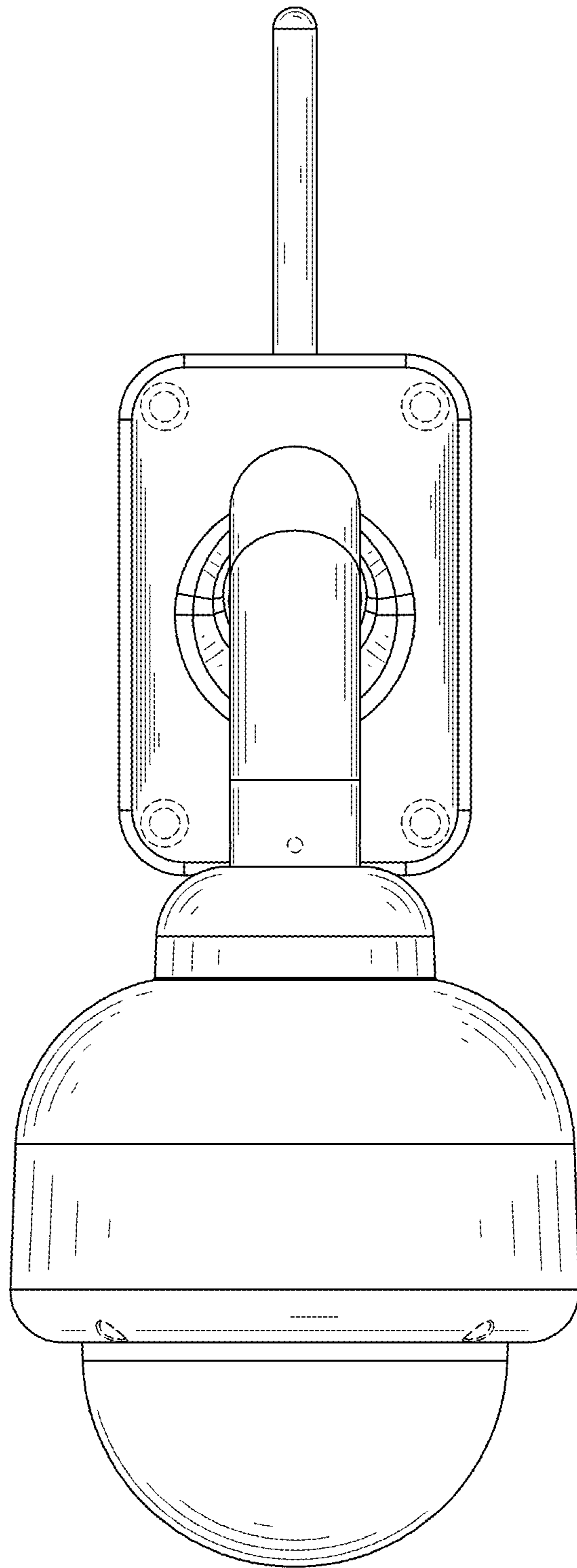


FIG. 2

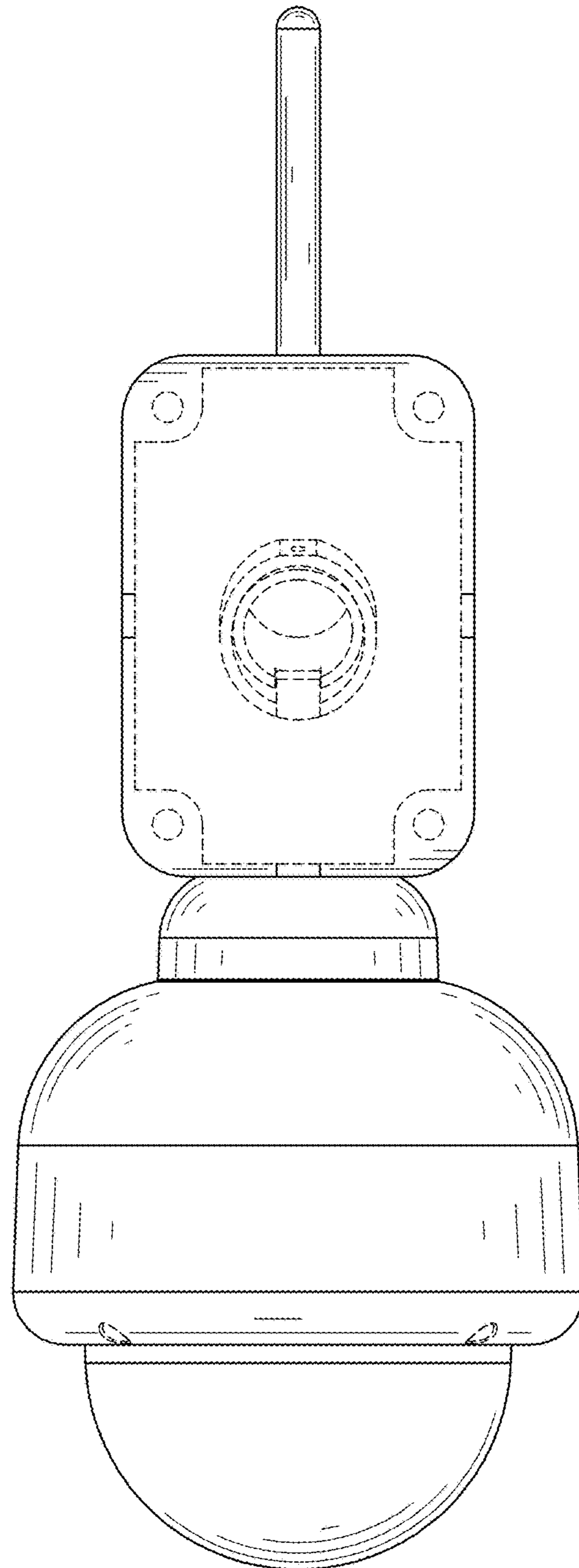


FIG. 3

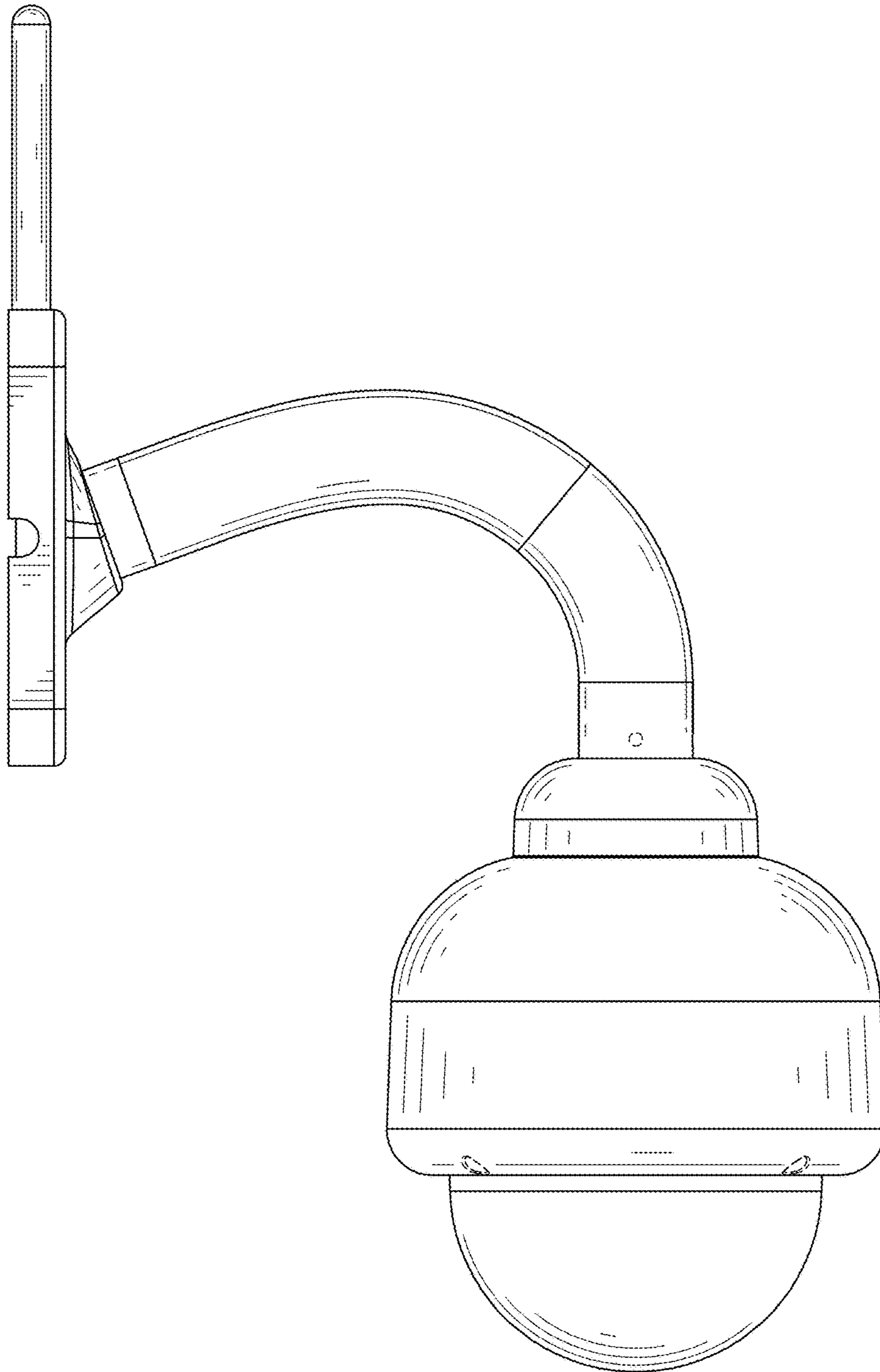


FIG. 4

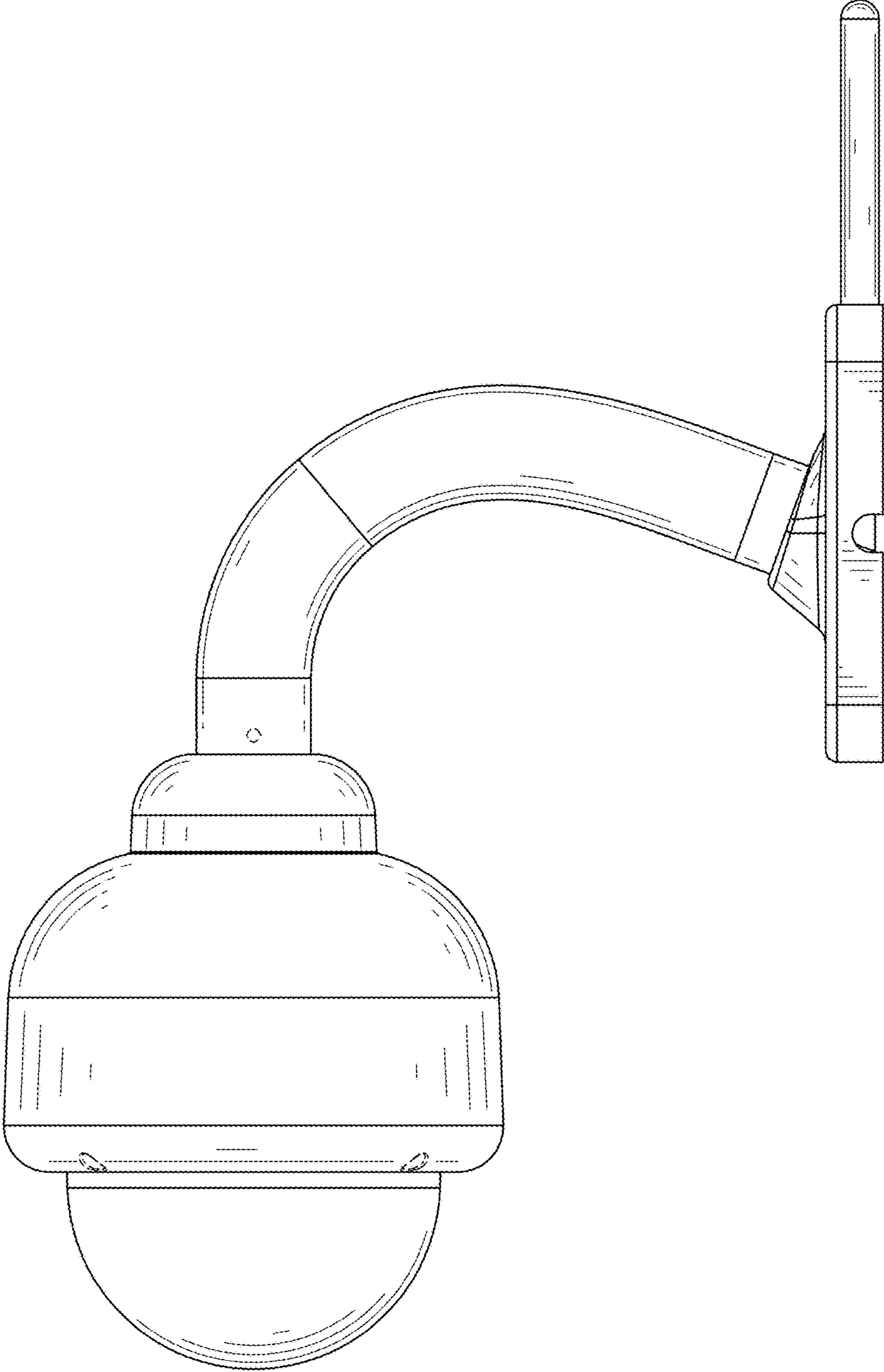


FIG. 5

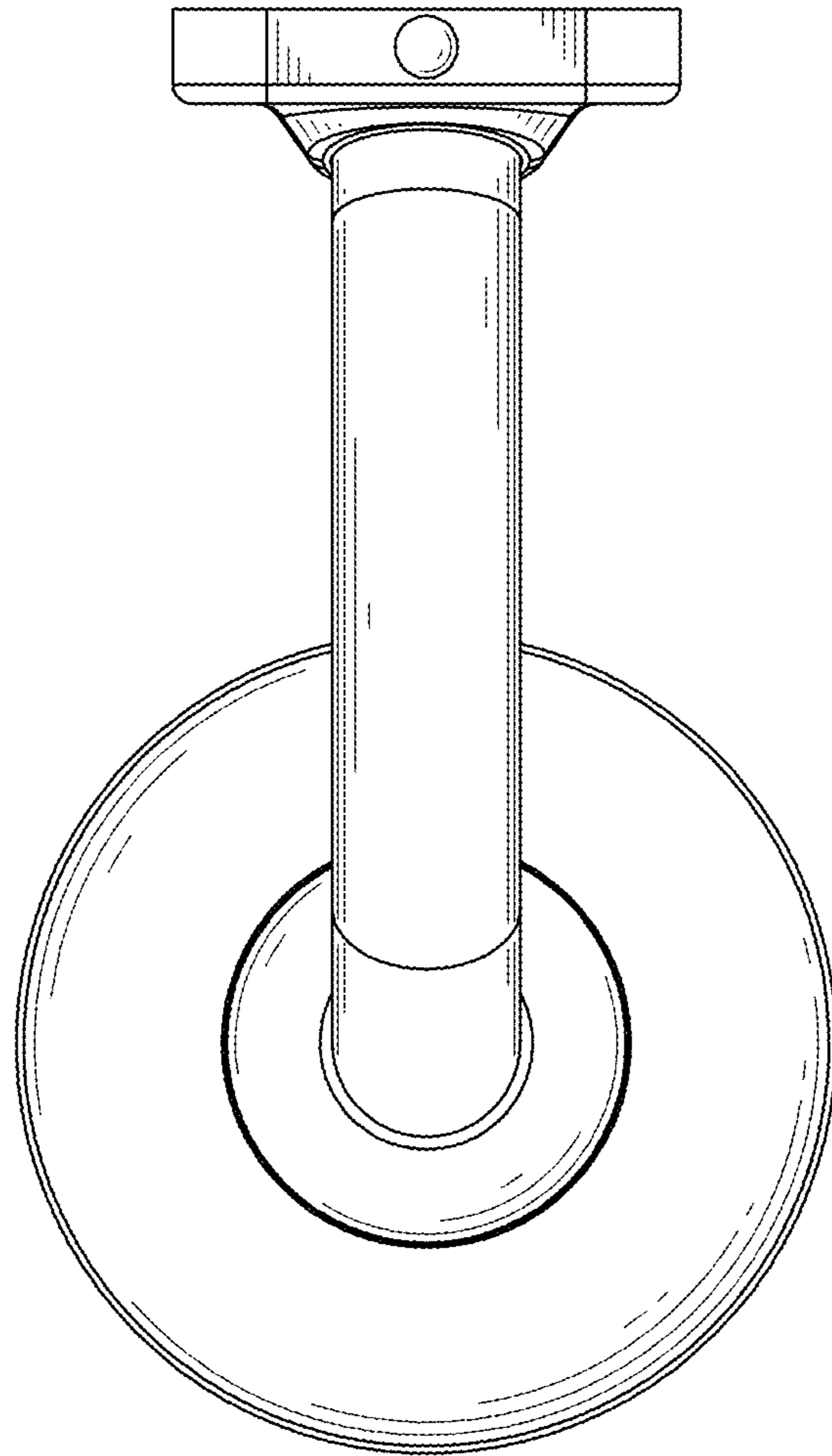


FIG. 6

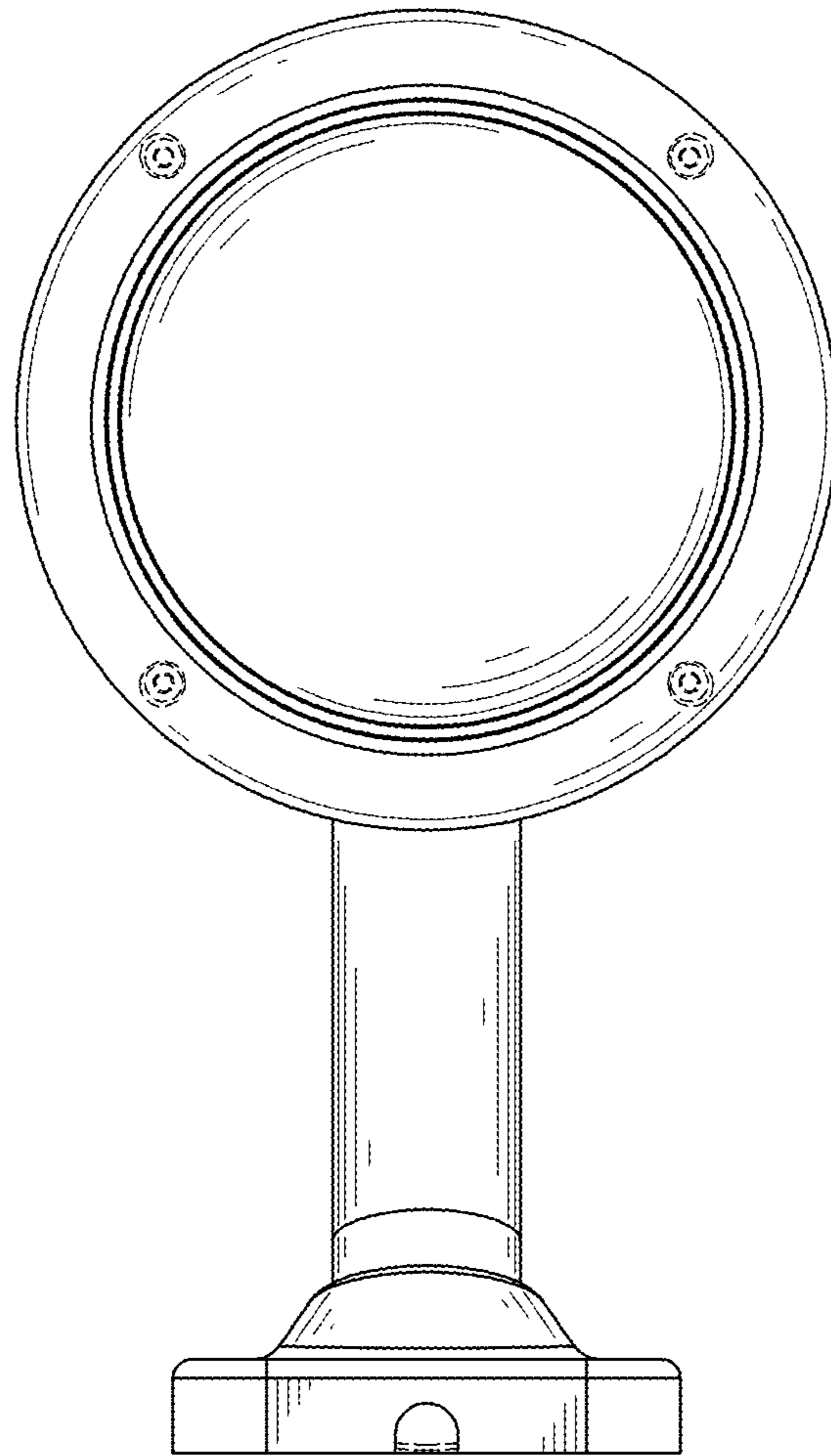


FIG. 7