



US00D824446S

(12) **United States Design Patent**
Ravat et al.

(10) **Patent No.:** **US D824,446 S**
(45) **Date of Patent:** **** Jul. 31, 2018**

- (54) **CAMERA**
- (71) Applicant: **Amcrest Global Holdings Limited**,
Dublin (IE)
- (72) Inventors: **Abdurahman Ravat**, Houston, TX
(US); **Tahir Ravat**, Dublin (IE); **Raheel**
Nusratullah, Houston, TX (US); **Ti**
liang Hou, Shenzhen (CN); **Wu bin**
Hou, Shenzhen (CN)
- (73) Assignee: **Amcrest Global Holdings Limited**,
Dublin (IE)

6,634,804	B1 *	10/2003	Toste	F16M 11/10	396/427
D486,173	S *	2/2004	Toste	D16/242	
6,735,382	B2 *	5/2004	Schneider	G08B 13/19619	348/143
D503,183	S *	3/2005	Arbuckle	D16/203	
7,306,383	B2 *	12/2007	Jones	G08B 13/19619	348/373
D563,451	S *	3/2008	Cheng	D16/203	
D564,005	S *	3/2008	Cheng	D16/203	
D651,068	S *	12/2011	Kang	D8/363	
D666,236	S *	8/2012	Rix	D16/242	
D701,258	S *	3/2014	Huang	D16/203	
D734,379	S *	7/2015	Tankersley	D16/203	

(**) Term: **15 Years**

* cited by examiner

(21) Appl. No.: **29/595,148**

Primary Examiner — Philip S Hyder

(22) Filed: **Feb. 25, 2017**

Assistant Examiner — Ramzi Almatrahi

(51) **LOC (11) Cl.** **16-01**

(74) *Attorney, Agent, or Firm* — The Juhasz Law Firm

(52) **U.S. Cl.**
USPC **D16/203**

(58) **Field of Classification Search**
USPC D16/200, 202–206, 218, 219, 242;
348/143, 148, 151, 373–376; 396/419,
396/427, 535, 539–541; 248/176.1, 187.1
CPC G03B 17/02; G03B 19/04; G03B 17/56;
G03B 17/04; G03B 15/03; H04N 5/2251;
H04N 5/2252; H04N 5/2253; H04N
5/2254; H04N 7/181; H04N 7/183; H04N
7/18; G08B 13/1963; G08B 13/19619;
G08B 13/19632; F16M 11/04; F16M
13/00

See application file for complete search history.

(56) **References Cited**

U.S. PATENT DOCUMENTS

D424,087	S *	5/2000	Frick	396/427
D461,485	S *	8/2002	Jones	396/427

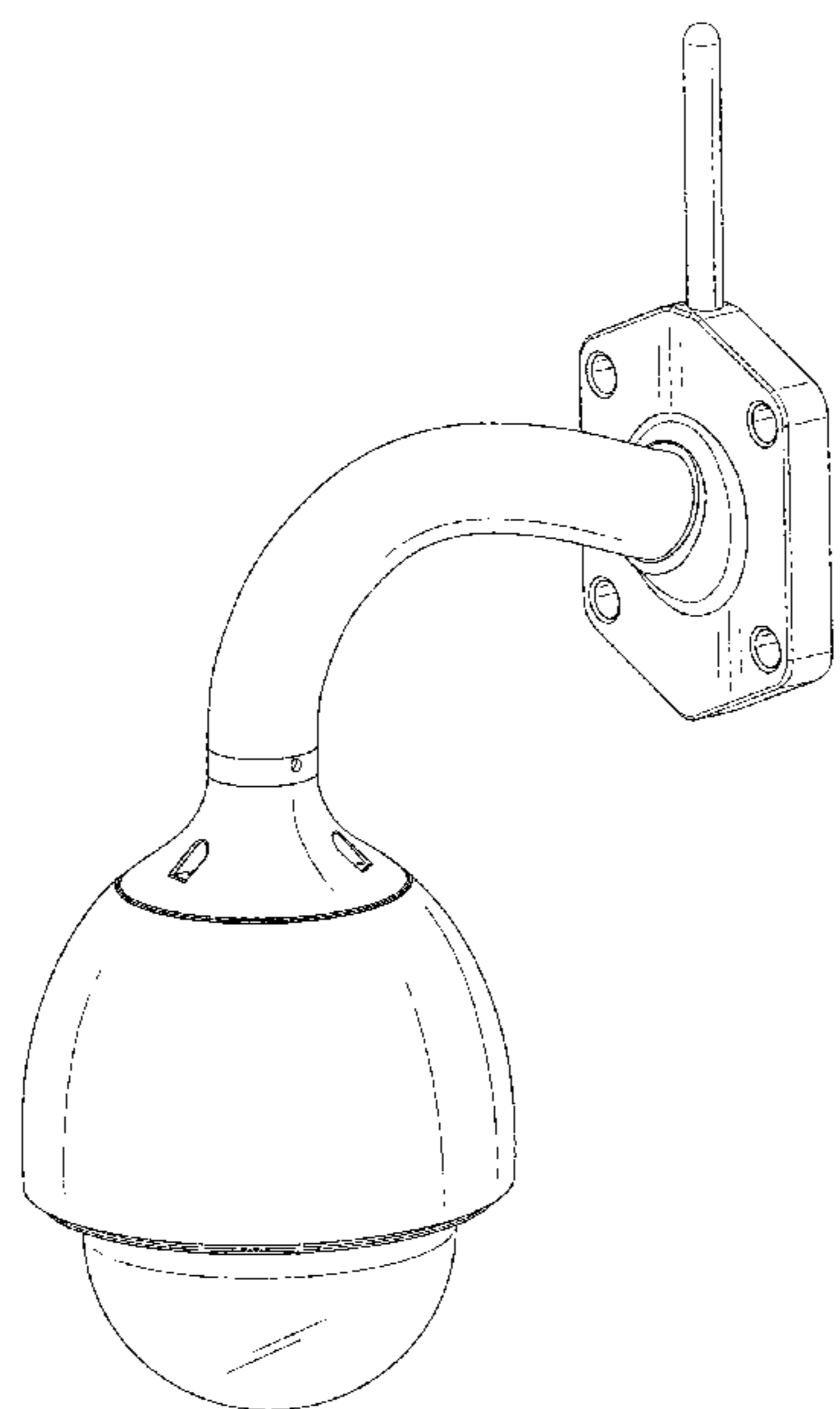
(57) **CLAIM**

The ornamental design for a camera, as shown and described.

DESCRIPTION

FIG. 1 is a front perspective view of a camera showing our new design;
FIG. 2 is a left side elevation view thereof;
FIG. 3 is a right side elevation view thereof;
FIG. 4 is a front elevation view thereof;
FIG. 5 is a rear elevation view thereof;
FIG. 6 is a top plan view thereof; and,
FIG. 7 is a bottom plan view thereof.
The broken lines depict portions of the camera in which the design is embodied that form no part of the claimed design.

1 Claim, 7 Drawing Sheets



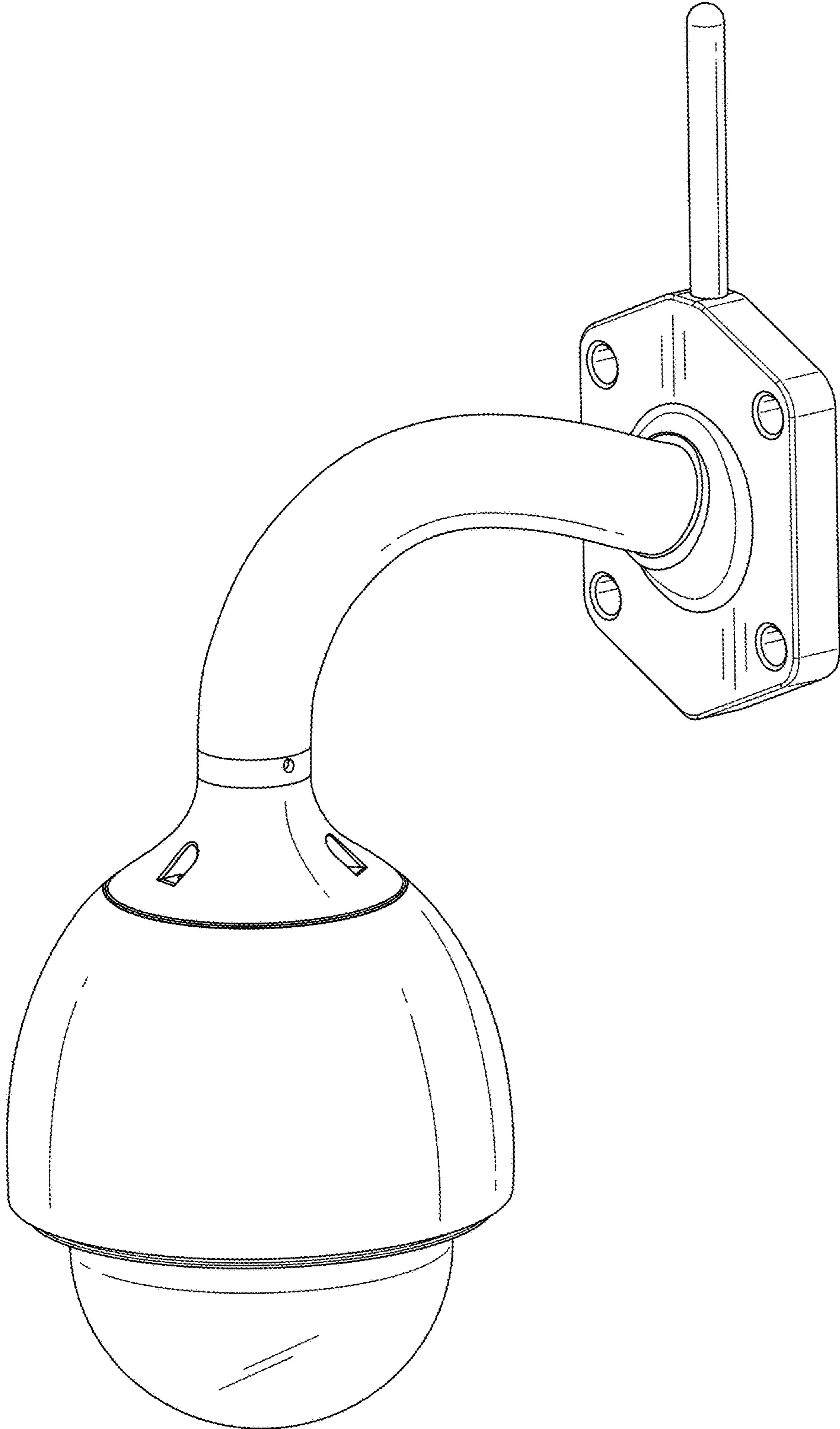


FIG. 1

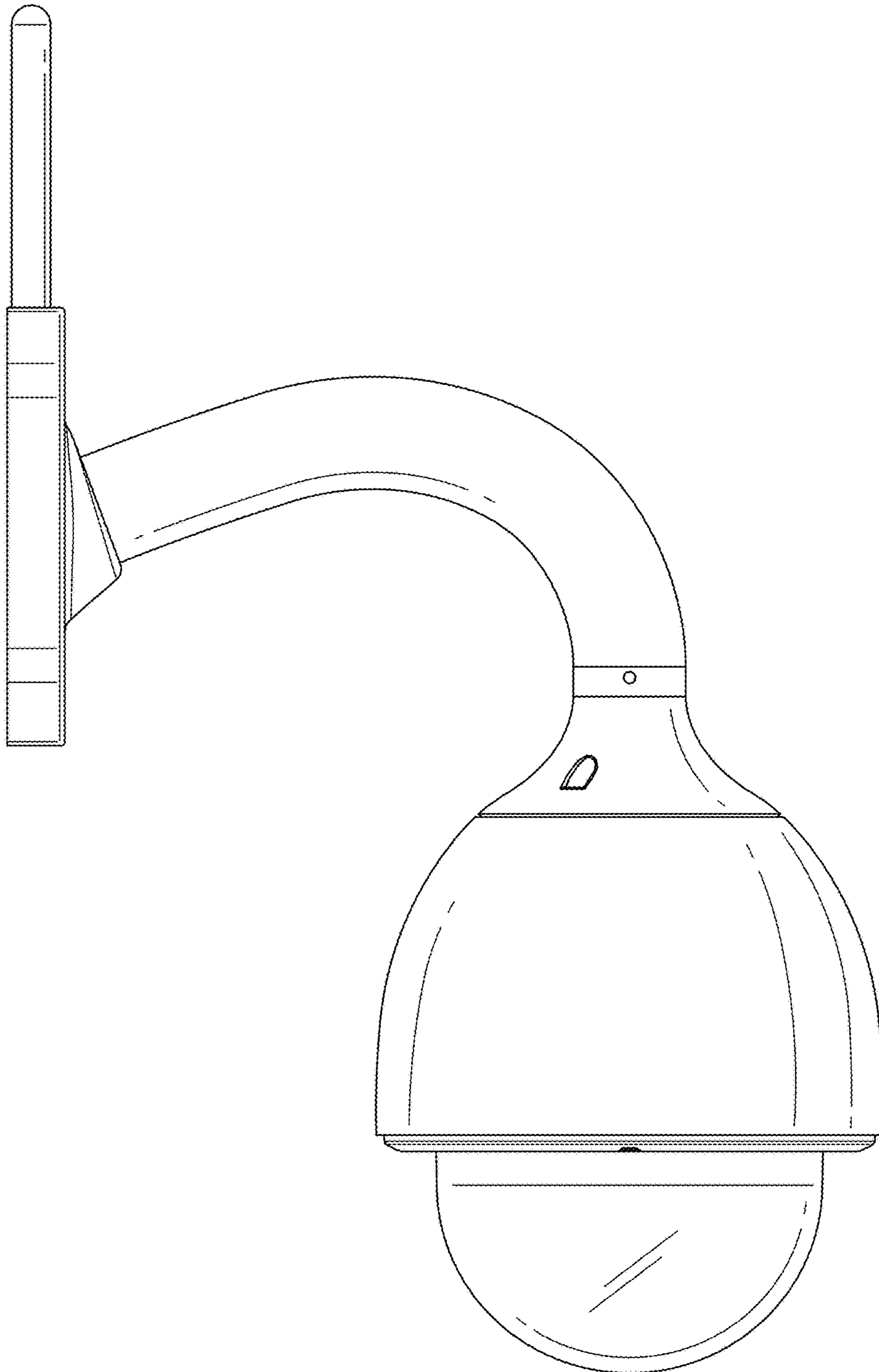


FIG. 2

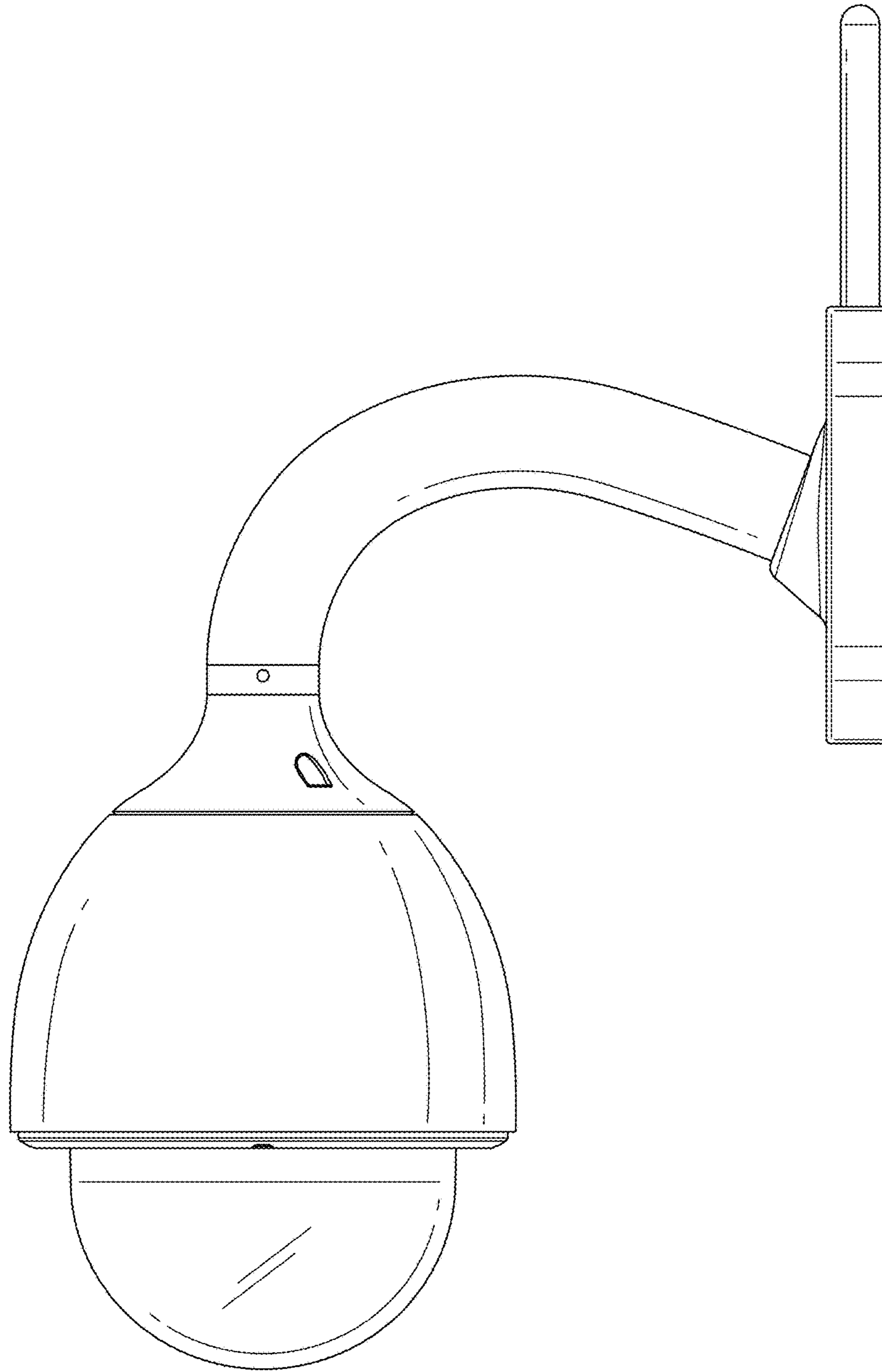


FIG. 3

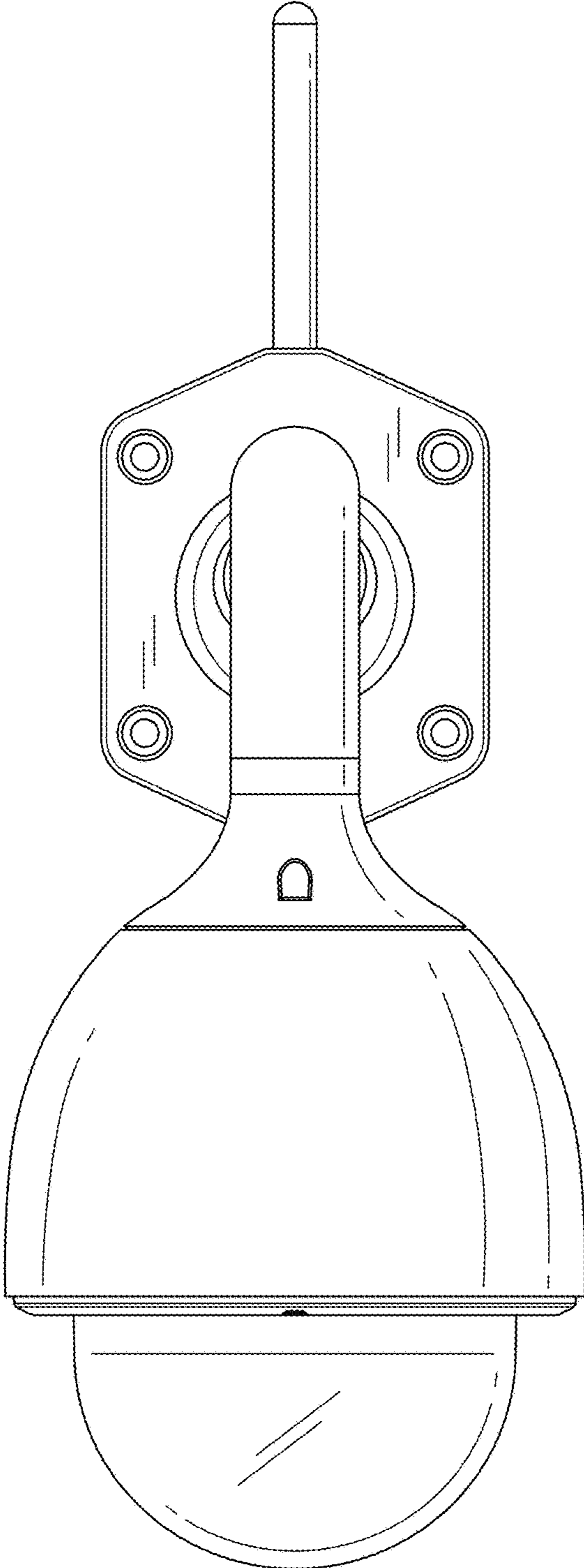


FIG. 4

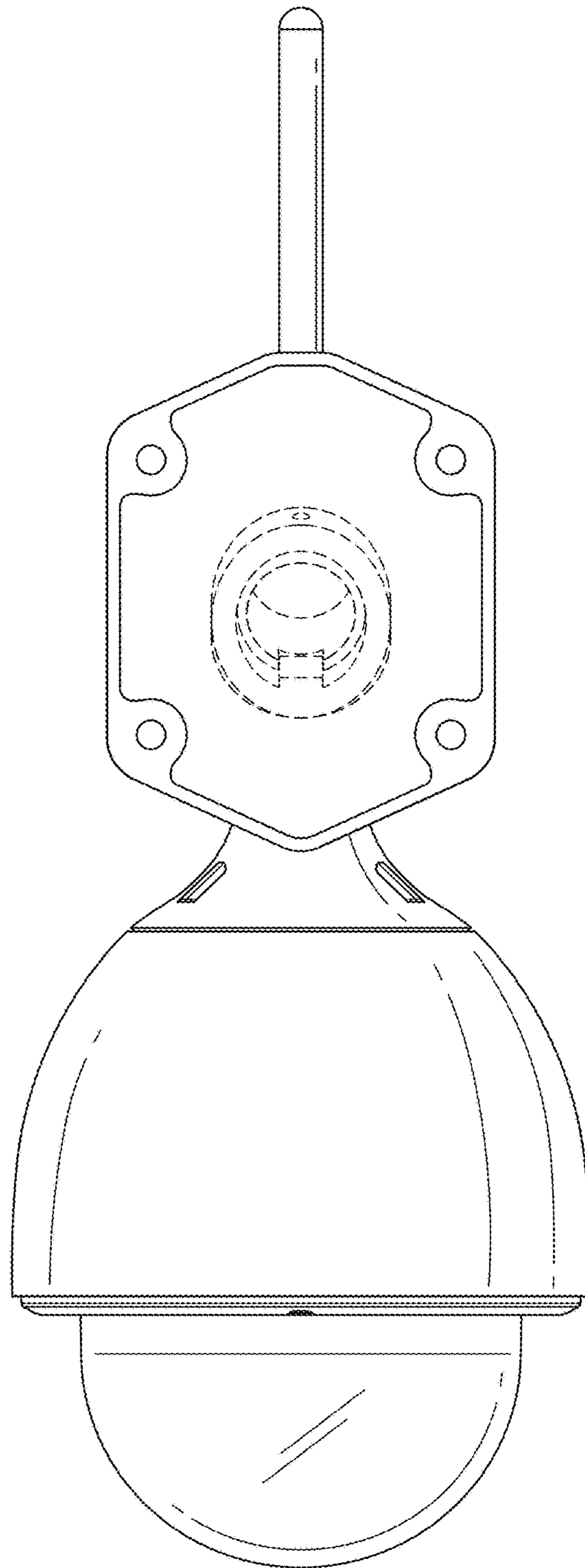


FIG. 5

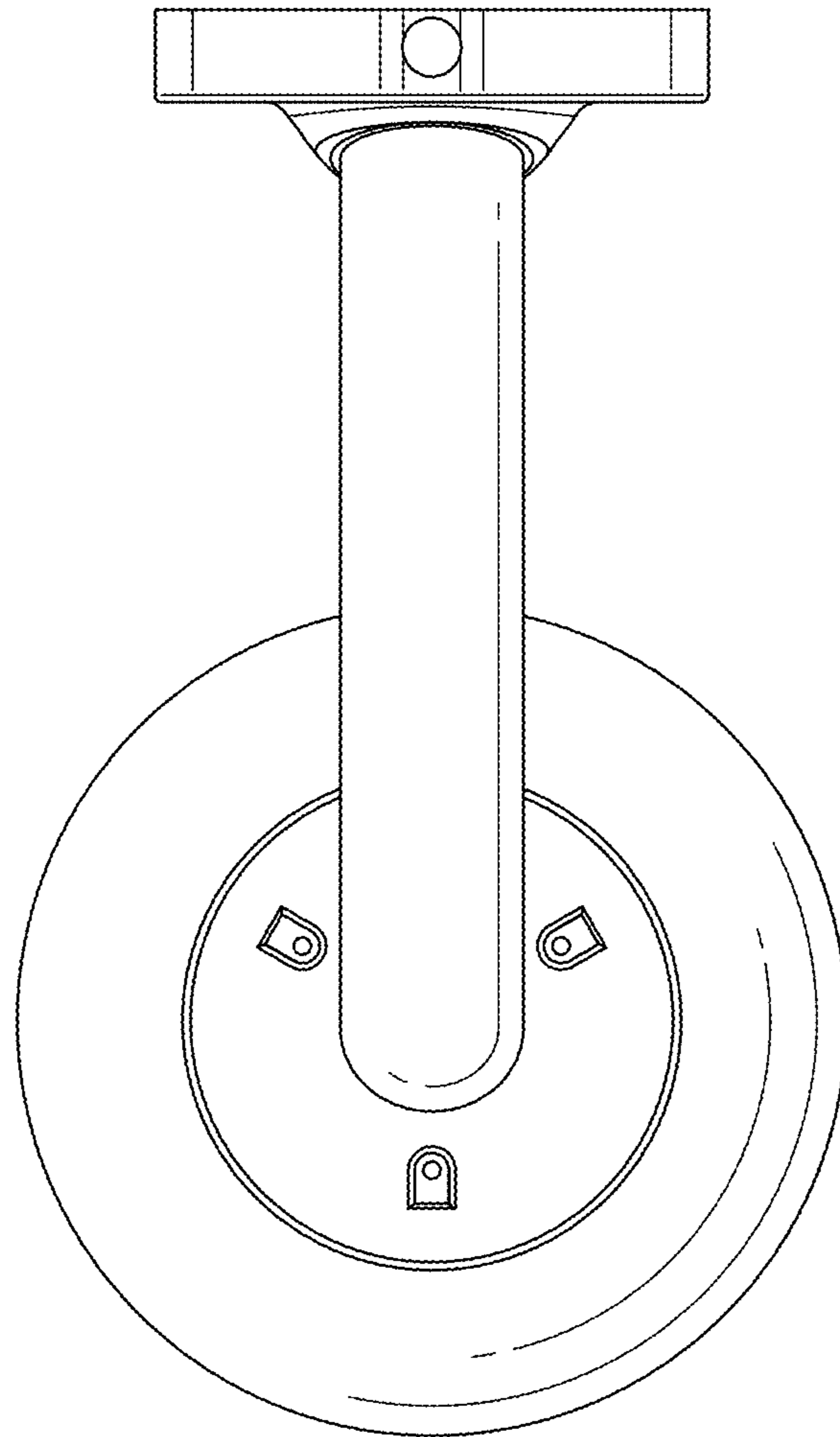


FIG. 6

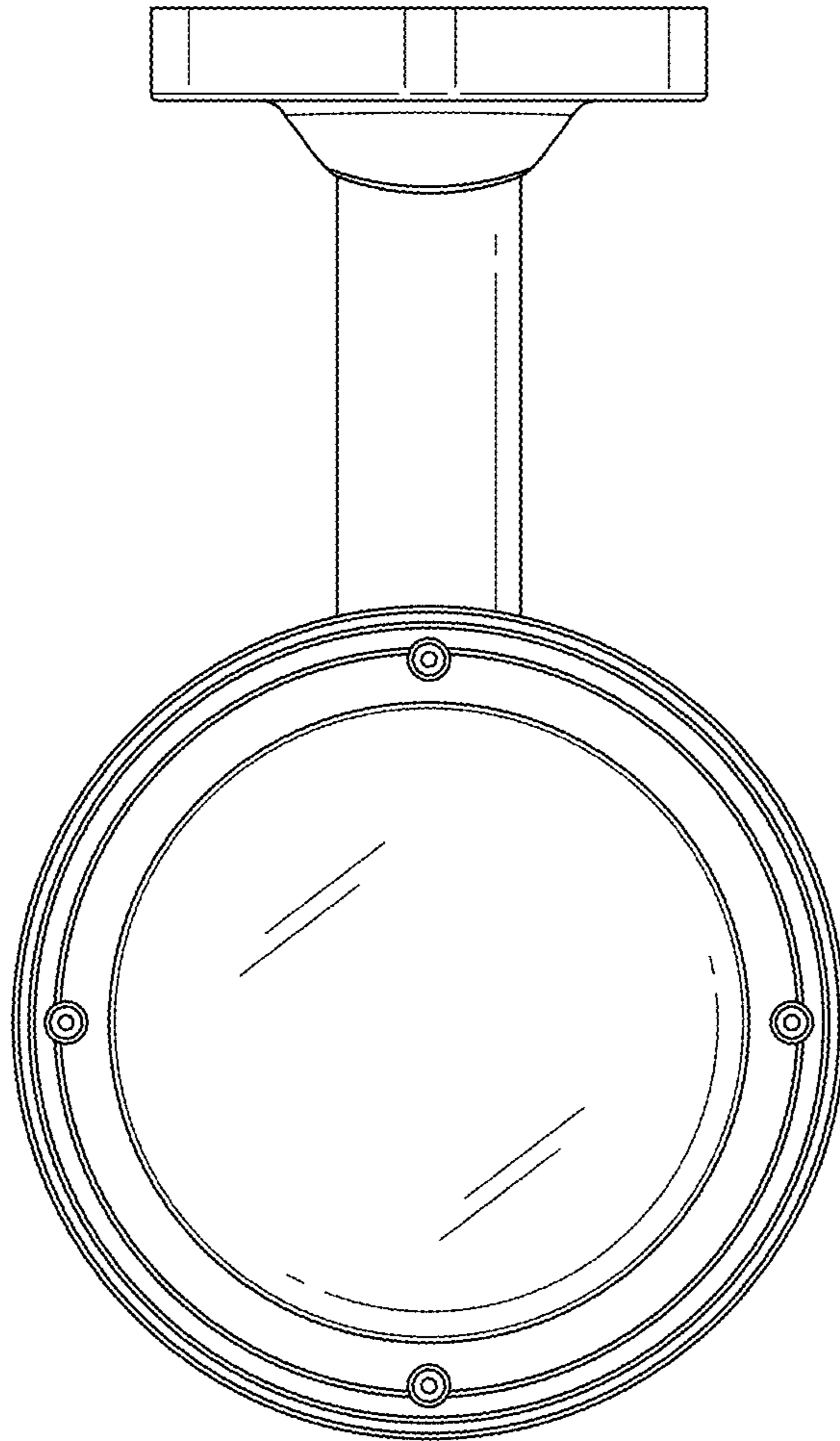


FIG. 7