

US00D824441S

(12) **United States Design Patent** (10) **Patent No.:** **US D824,441 S**
Fenton et al. (45) **Date of Patent:** **** Jul. 31, 2018**

(54) **CARTRIDGE**
(71) Applicant: **OC10, LLC**, Jamaica Plain, MA (US)
(72) Inventors: **Paul Fenton**, Marblehead, MA (US);
Dave Dufour, Jamaica Plain, MA (US);
Gary Streeter, Jamaica Plain, MA
(US); **Ben Streeter**, Jamaica Plain, MA
(US); **Sam Kjellman**, Jamaica Plain,
MA (US)

4,700,818 A 10/1987 Orwin
D294,519 S * 3/1988 Hardy, Jr. D14/431
4,916,850 A 4/1990 Dodge
D308,622 S * 6/1990 Fushiya D8/30
4,937,966 A 7/1990 McKenzie
D317,704 S * 6/1991 Zaborowski D8/30
5,042,190 A 8/1991 Calvin
D319,761 S * 9/1991 Yoshinaga D8/30
D319,768 S * 9/1991 Smith D8/29.1
(Continued)

(**) Term: **15 Years**

(21) Appl. No.: **29/556,978**

(22) Filed: **Mar. 4, 2016**

(51) **LOC (11) Cl.** **15-09**

(52) **U.S. Cl.**
USPC **D15/144.2; D8/30**

(58) **Field of Classification Search**
USPC D14/329, 331, 346; D15/144, 144.1,
D15/144.2; D8/29.1, 30
CPC B23K 11/31
See application file for complete search history.

(56) **References Cited**

U.S. PATENT DOCUMENTS

893,173 A 7/1908 Kunze
2,617,914 A 11/1952 Keller et al.
2,995,159 A 8/1961 Berggren
3,040,153 A 6/1962 Seney
3,184,354 A 5/1965 Strother
3,284,257 A * 11/1966 Soloff B29C 65/08
156/580.1
3,629,541 A 12/1971 Mims et al.
3,690,994 A 9/1972 Williams
3,765,973 A 10/1973 Kramer
3,886,870 A 6/1975 Pelabon
3,936,971 A 2/1976 McGahee
3,970,735 A 7/1976 Nelson
4,011,869 A 3/1977 Seiler, Jr.
4,631,685 A 12/1986 Peter

FOREIGN PATENT DOCUMENTS

DE 7022038 6/1970
DE 2832550 2/1980

(Continued)

Primary Examiner — Patricia A Palasik

(74) *Attorney, Agent, or Firm* — Pandiscio & Pandiscio

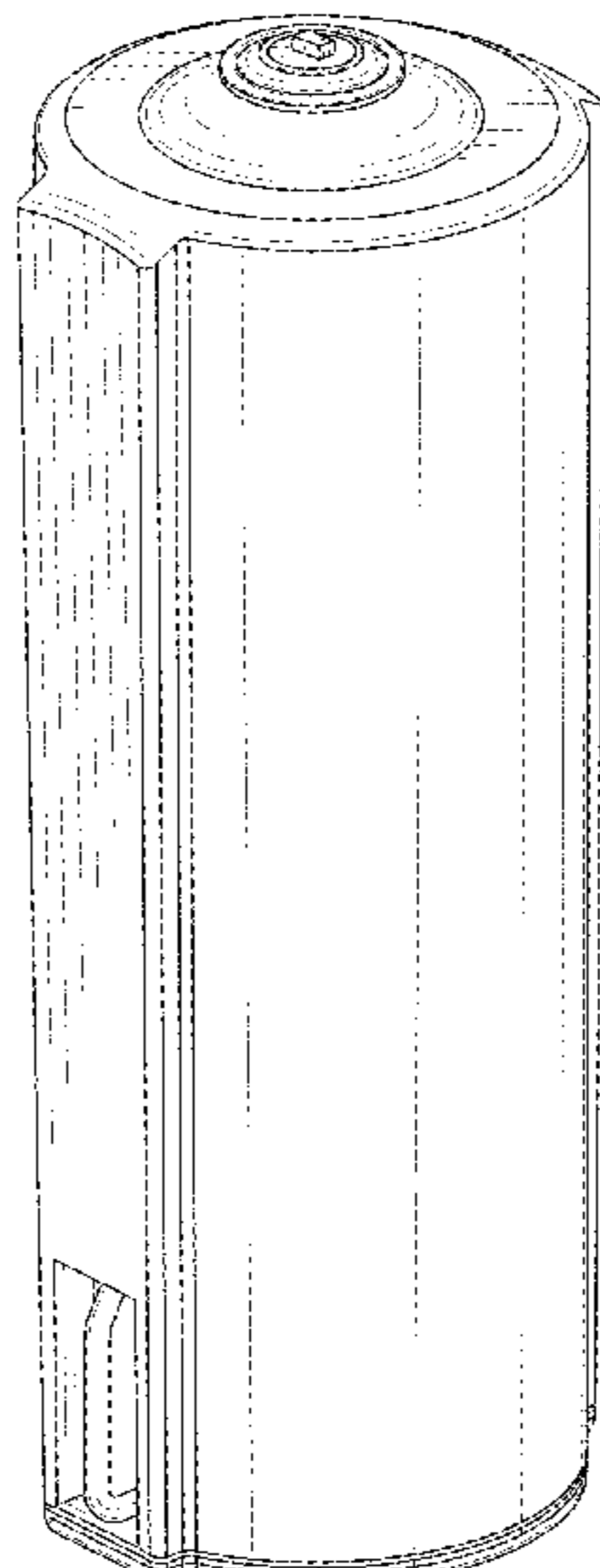
(57) **CLAIM**

The ornamental design for a cartridge, as shown and described.

DESCRIPTION

FIG. 1 is a top left perspective view of the cartridge;
FIG. 2 is a front view of the cartridge, taken from the frame
of reference of FIG. 1;
FIG. 3 is a rear view of the cartridge, taken from the frame
of reference of FIG. 1;
FIG. 4 is a right side view of the cartridge, taken from the
frame of reference of FIG. 1;
FIG. 5 is a left side view of the cartridge, taken from the
frame of reference of FIG. 1;
FIG. 6 is a top view of the cartridge, taken from the frame
of reference of FIG. 1;
FIG. 7 is a bottom view of the cartridge, taken from the
frame of reference of FIG. 1; and,
FIG. 8 is a bottom right perspective view of the cartridge,
taken from the frame of reference of FIG. 1.

1 Claim, 7 Drawing Sheets



(56)

References Cited

U.S. PATENT DOCUMENTS

5,084,058 A 1/1992 Li
 5,133,723 A 7/1992 Li et al.
 5,150,539 A 9/1992 Sorola
 5,288,359 A 2/1994 Stobbie, IV et al.
 5,656,126 A 8/1997 Martinez
 5,660,317 A 8/1997 Singer et al.
 5,752,964 A 5/1998 Mericle
 5,769,100 A 6/1998 Alexander
 6,038,806 A 3/2000 Maitland
 6,086,806 A 7/2000 Weatherall et al.
 6,135,124 A 10/2000 Grant
 D440,294 S * 4/2001 Bilek D23/365
 6,313,439 B1 11/2001 Fischbach et al.
 D453,332 S 2/2002 Herath
 6,382,496 B1 5/2002 Harger
 D466,150 S * 11/2002 Matsumoto D18/56
 D466,918 S * 12/2002 Shiozaki D18/43
 6,508,030 B1 1/2003 Sovik
 D477,357 S * 7/2003 Nakajima D18/43
 6,703,750 B2 3/2004 Nakamura
 6,789,724 B2 9/2004 Cordier et al.
 6,793,750 B2 9/2004 Bittar
 D500,836 S * 1/2005 Nishi D23/209
 D501,459 S 2/2005 Sarich et al.
 6,884,249 B2 4/2005 May et al.
 D516,884 S * 3/2006 Axinte D8/30
 D559,055 S * 1/2008 Axinte D8/30
 D581,988 S 12/2008 Hall et al.
 D592,732 S * 5/2009 Sneddon D23/228
 D616,491 S * 5/2010 Yomoda D18/43
 D636,017 S * 4/2011 Takiguchi D18/43
 D636,241 S * 4/2011 Hoppe D8/29.1
 D636,477 S * 4/2011 Anderson A61L 9/12
 D23/366
 D637,052 S * 5/2011 Hoppe D8/29.1
 7,938,847 B2 5/2011 Fanton et al.
 D651,057 S * 12/2011 Hartsel D8/30
 8,074,864 B2 12/2011 Lofton et al.
 8,109,945 B2 2/2012 Boehlke
 8,365,460 B2 2/2013 Brown
 D697,131 S * 1/2014 Hasui D18/34.9
 D705,287 S * 5/2014 Schmid D15/147
 8,714,409 B2 * 5/2014 Muller-Paul A61C 9/0026
 222/137
 D707,819 S * 6/2014 Nalagatla D24/145
 D711,502 S * 8/2014 Savoy D23/209
 D712,356 S * 9/2014 Windom D13/119

D712,507 S * 9/2014 Hammerback D23/209
 D714,863 S * 10/2014 Borkovec D18/56
 D715,355 S * 10/2014 Otsubo D18/43
 D716,909 S * 11/2014 Hammarback D23/209
 D723,462 S * 3/2015 Druker D13/108
 D723,653 S * 3/2015 Peterson D22/112
 D724,400 S * 3/2015 Filian D8/30
 D725,470 S * 3/2015 Wilcox D9/448
 D731,204 S * 6/2015 Watson D6/542
 D733,871 S * 7/2015 Wilcox D24/117
 D737,518 S * 8/2015 Yiu D28/54
 D740,630 S * 10/2015 Hasenmayer D8/30
 D741,127 S * 10/2015 Hasenmayer D8/30
 D742,550 S * 11/2015 Mitchell D25/126
 D743,016 S * 11/2015 Arnold D23/317
 D749,382 S * 2/2016 Matsuoka D8/14
 D752,732 S * 3/2016 Ansley D23/366
 D755,344 S * 5/2016 Reckin D23/209
 D762,812 S * 8/2016 Branscomb D23/209
 D767,822 S * 9/2016 Jordan D27/194
 D780,887 S * 3/2017 Huda D23/209
 D781,376 S * 3/2017 Hakukawa D18/43
 D782,259 S * 3/2017 Rahm D8/14.1
 D796,574 S * 9/2017 Kamoshida D18/43
 2002/0187076 A1 12/2002 DiCesare et al.
 2003/0000621 A1 1/2003 Bittar
 2004/0254598 A1 12/2004 Schumacher et al.
 2007/0031183 A1 2/2007 Sim
 2009/0155516 A1 6/2009 Kobayashi et al.
 2009/0228026 A1 9/2009 Koogler, Jr. et al.
 2009/0315214 A1 12/2009 Heikkila et al.
 2010/0153061 A1 6/2010 Hietmann et al.
 2011/0238113 A1 9/2011 Fanton et al.
 2013/0010082 A1 1/2013 Silverbrook
 2013/0277393 A1 * 10/2013 Rahm B05C 17/00503
 222/137
 2014/0202060 A1 7/2014 Ohashi et al.
 2014/0291384 A1 10/2014 Canelo
 2014/0319104 A1 10/2014 Kemmerer-Fleckenstein
 2015/0367567 A1 12/2015 Biehl et al.
 2015/0373824 A1 12/2015 Nettesheim et al.

FOREIGN PATENT DOCUMENTS

DE 3836735 5/1990
 FR 2006919 6/1970
 GB 634286 3/1950
 GB 2449297 11/2008
 JP 57029441 2/1982

* cited by examiner

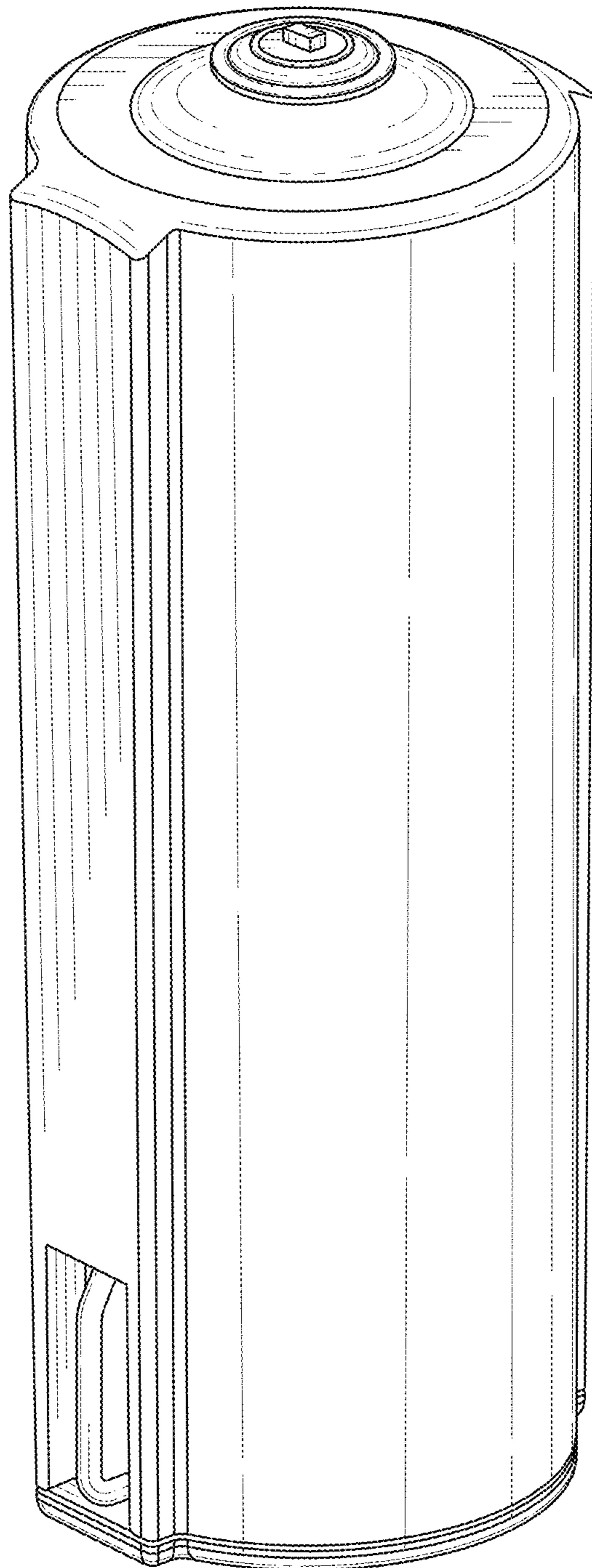


FIG. 1

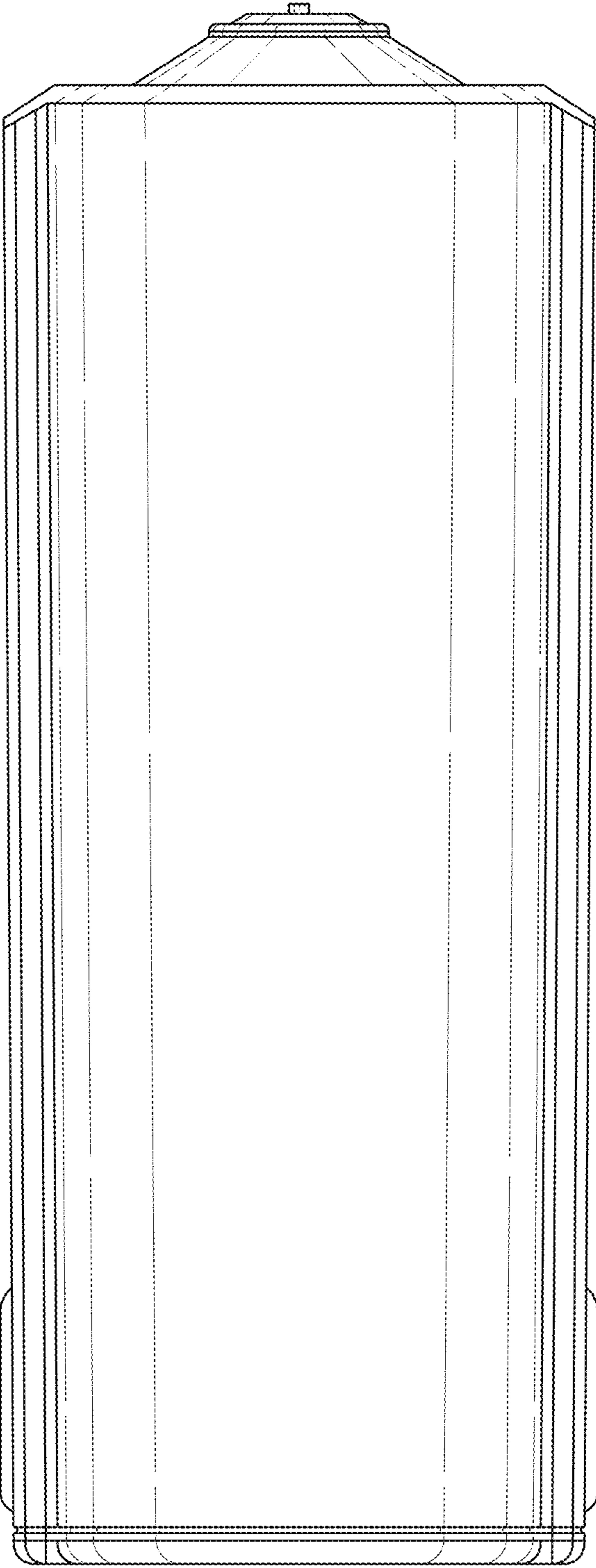


FIG. 2

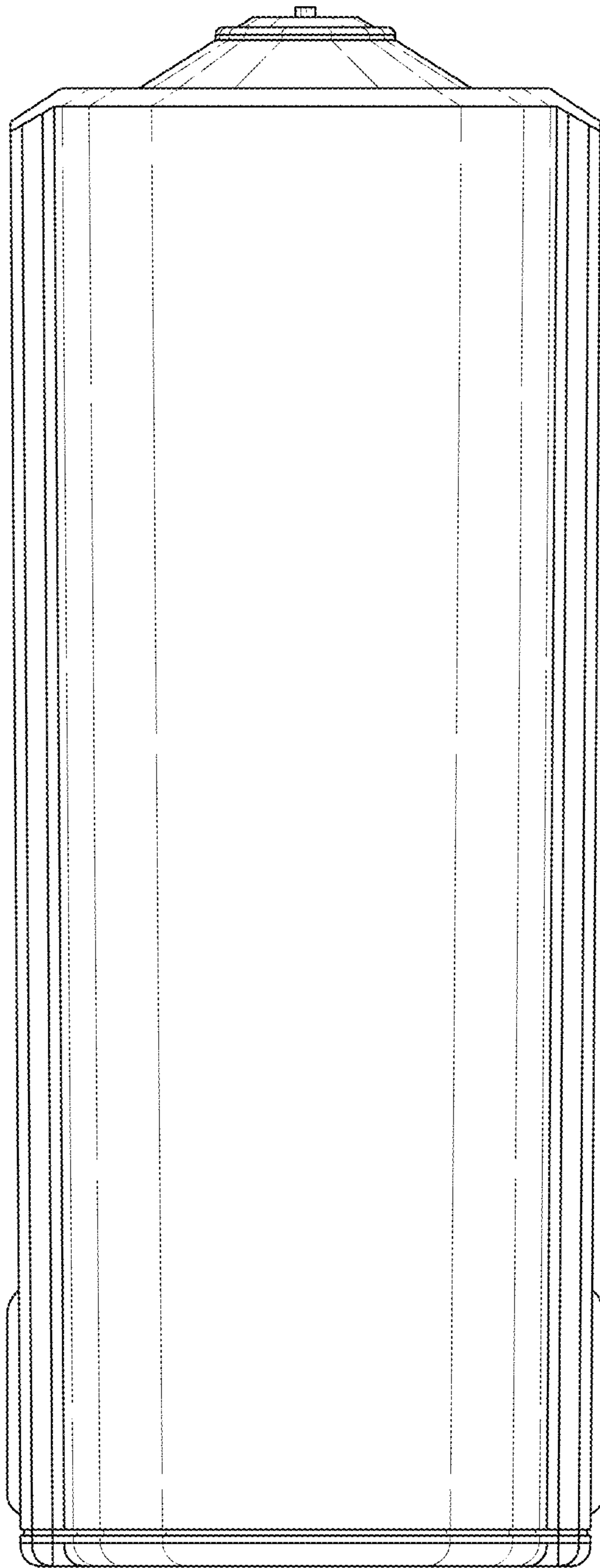


FIG. 3

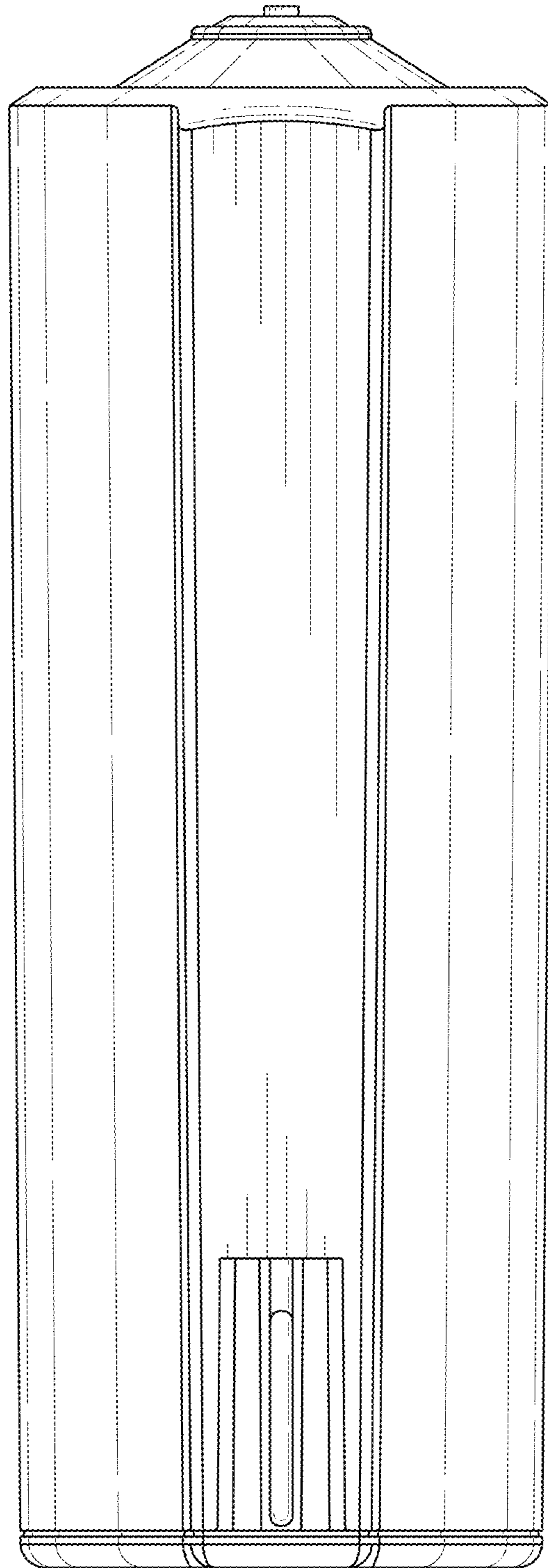


FIG. 4

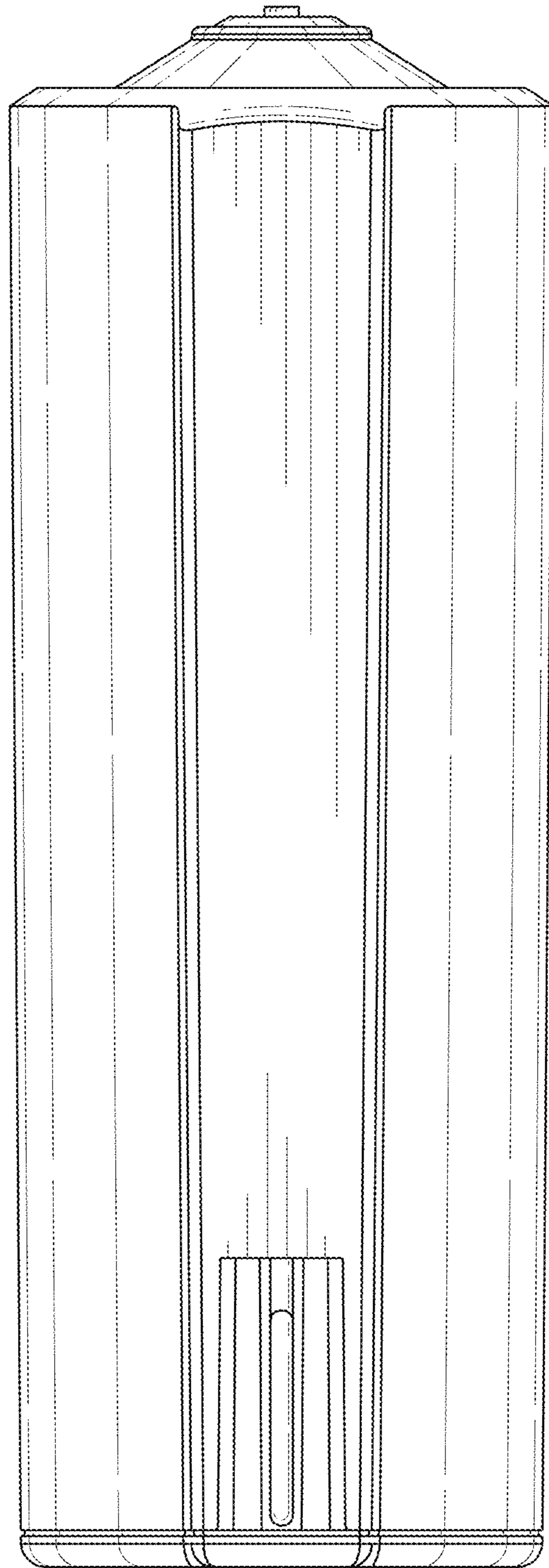


FIG. 5

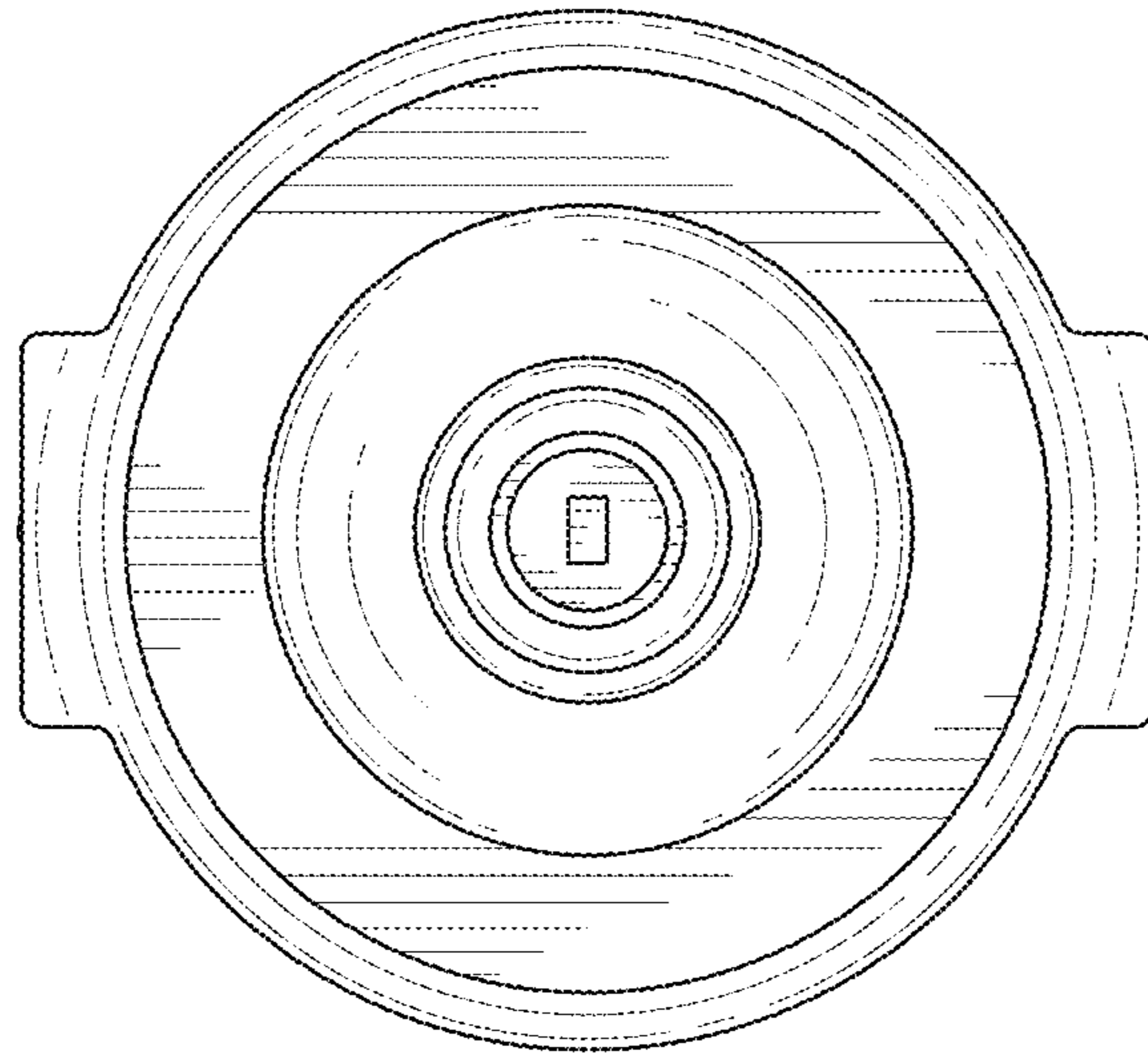


FIG. 6

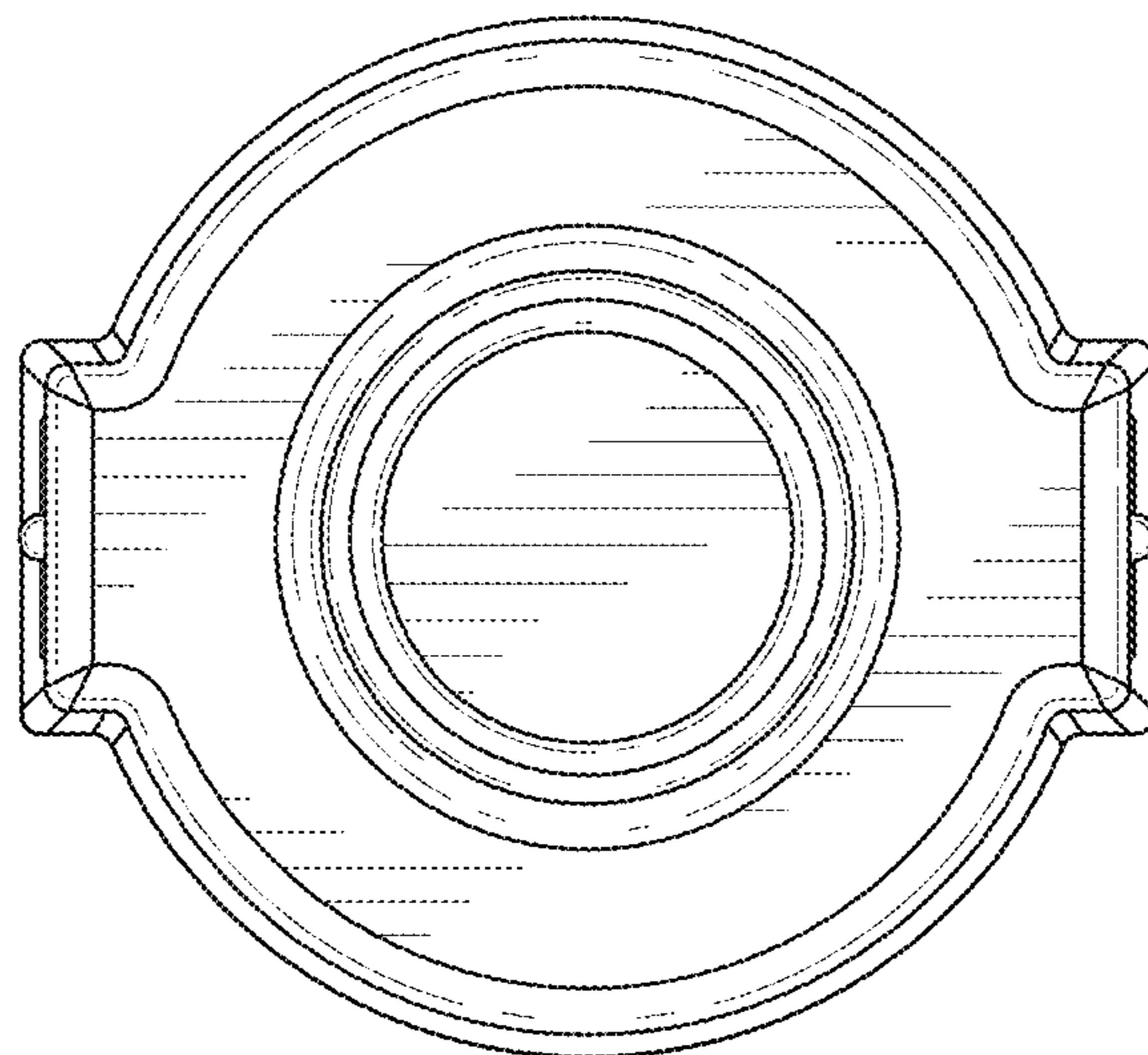


FIG. 7

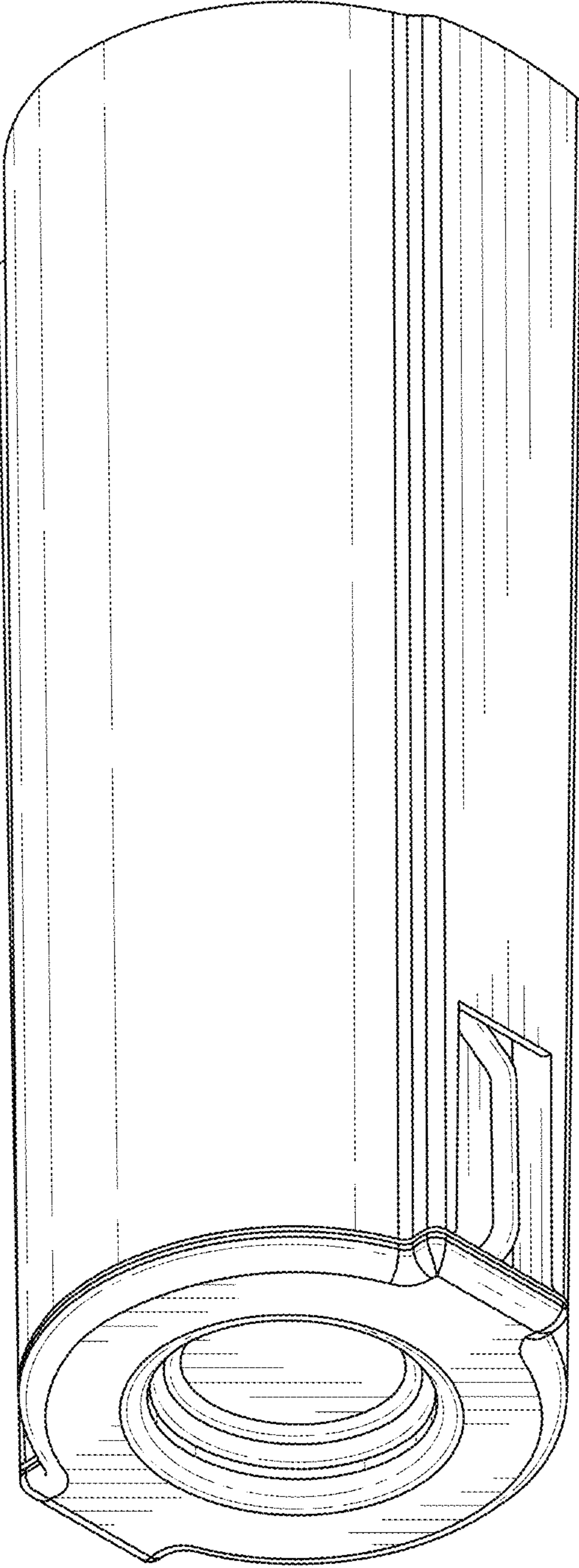


FIG. 8