



US00D824438S

(12) **United States Design Patent**
Min et al.

(10) **Patent No.:** **US D824,438 S**
(45) **Date of Patent:** **** Jul. 31, 2018**

(54) **GROOVING INSERT FOR A MACHINE TOOL**

(71) Applicant: **KORLOY INC.**, Seoul (KR)

(72) Inventors: **Byung Hoon Min**, Cheongju-si (KR);
Sung Guen Shin, Cheongju-si (KR);
Dong Sub An, Cheongju-si (KR); **Hyo San Kim**, Cheongju-si (KR); **Young Heum Kim**, Cheongju-si (KR)

(**) Term: **15 Years**

(21) Appl. No.: **35/500,999**

(22) Filed: **Apr. 12, 2016**

(80) **Hague Agreement Data**

Int. Filing Date: **Apr. 12, 2016**
Int. Reg. No.: **DM/090584**
Int. Reg. Date: **Apr. 12, 2016**
Int. Reg. Pub. Date: **May 20, 2016**

(30) **Foreign Application Priority Data**

Dec. 29, 2015 (KR) 30-2015-0066744

(51) **LOC (11) Cl.** **15-09**

(52) **U.S. Cl.**
USPC **D15/139**

(58) **Field of Classification Search**

USPC D15/127, 138-140
CPC B23B 27/045; B23B 27/04; B23B 27/06
See application file for complete search history.

(56) **References Cited**

U.S. PATENT DOCUMENTS

1,276,081 A * 8/1918 Kuhn B23B 27/045
407/116
D195,485 S * 6/1963 Novkov 407/113
D216,074 S * 11/1969 Hood 407/113
D220,920 S * 6/1971 Cochran D15/139

D220,922 S * 6/1971 Cochran D15/139
4,832,541 A * 5/1989 Noguchi B23B 27/045
407/114
D329,439 S * 9/1992 Gustafsson D15/139
D329,440 S * 9/1992 Gustafsson D15/139
D329,858 S * 9/1992 Gustafsson D15/139
D329,859 S * 9/1992 Gustafsson D15/139
D330,033 S * 10/1992 Gustafsson D15/139
D350,549 S * 9/1994 Lindstedt D15/139
5,511,911 A * 4/1996 Katbi B23B 27/045
407/114
5,676,495 A * 10/1997 Katbi B23B 27/045
407/114
D442,195 S * 5/2001 Hansson D15/139
D442,196 S * 5/2001 Hansson D15/139
6,238,147 B1 * 5/2001 Tagtstrom B23B 27/045
407/114
D444,156 S * 6/2001 Hansson D15/139
D452,870 S * 1/2002 Hansson D15/139
RE37,595 E * 3/2002 Lindstedt B23B 27/045
407/110

(Continued)

Primary Examiner — Mary Ann Calabrese
Assistant Examiner — Jennifer L Rempfer
(74) *Attorney, Agent, or Firm* — Rabin & Berdo, P.C.

(57) **CLAIM**

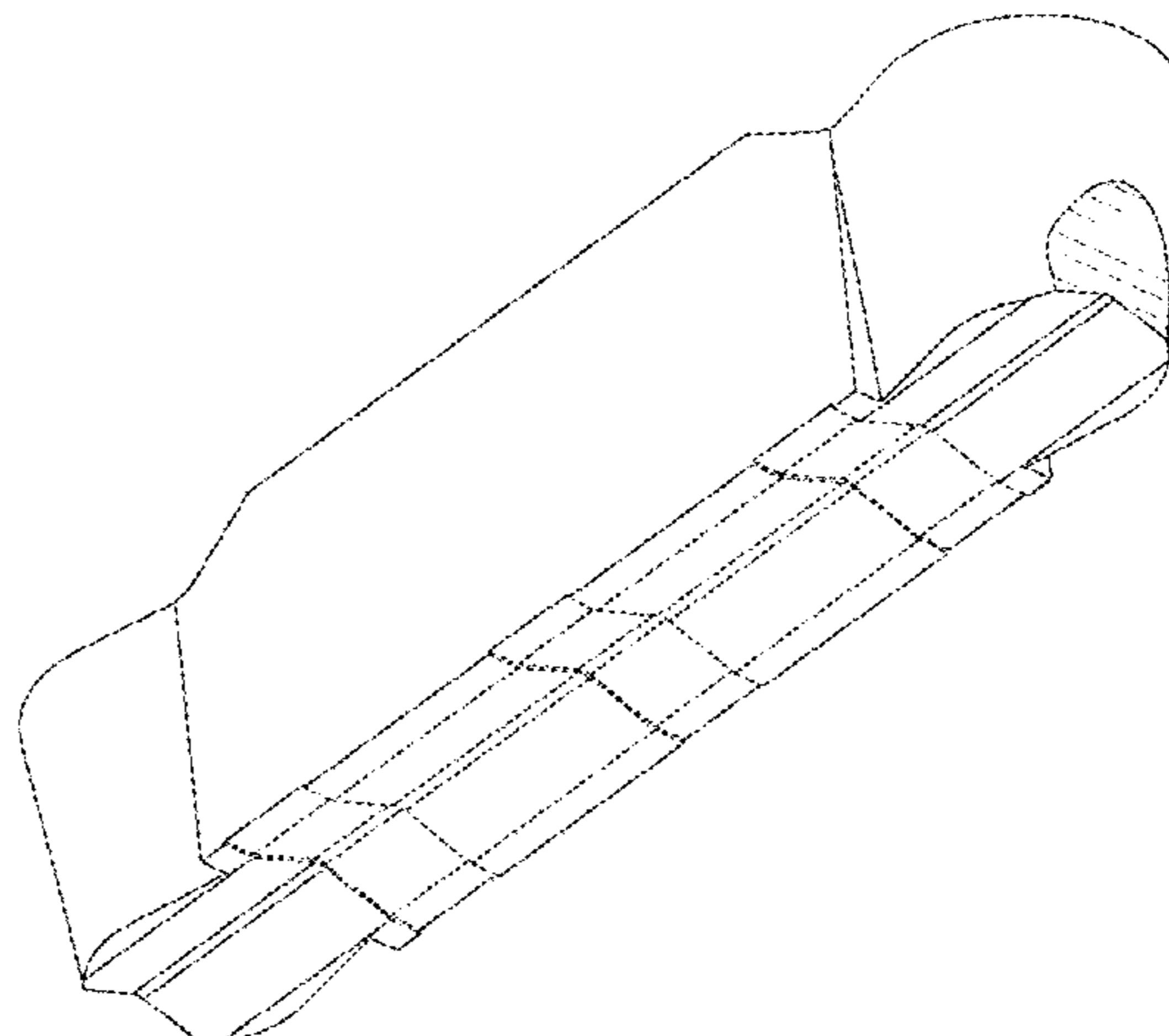
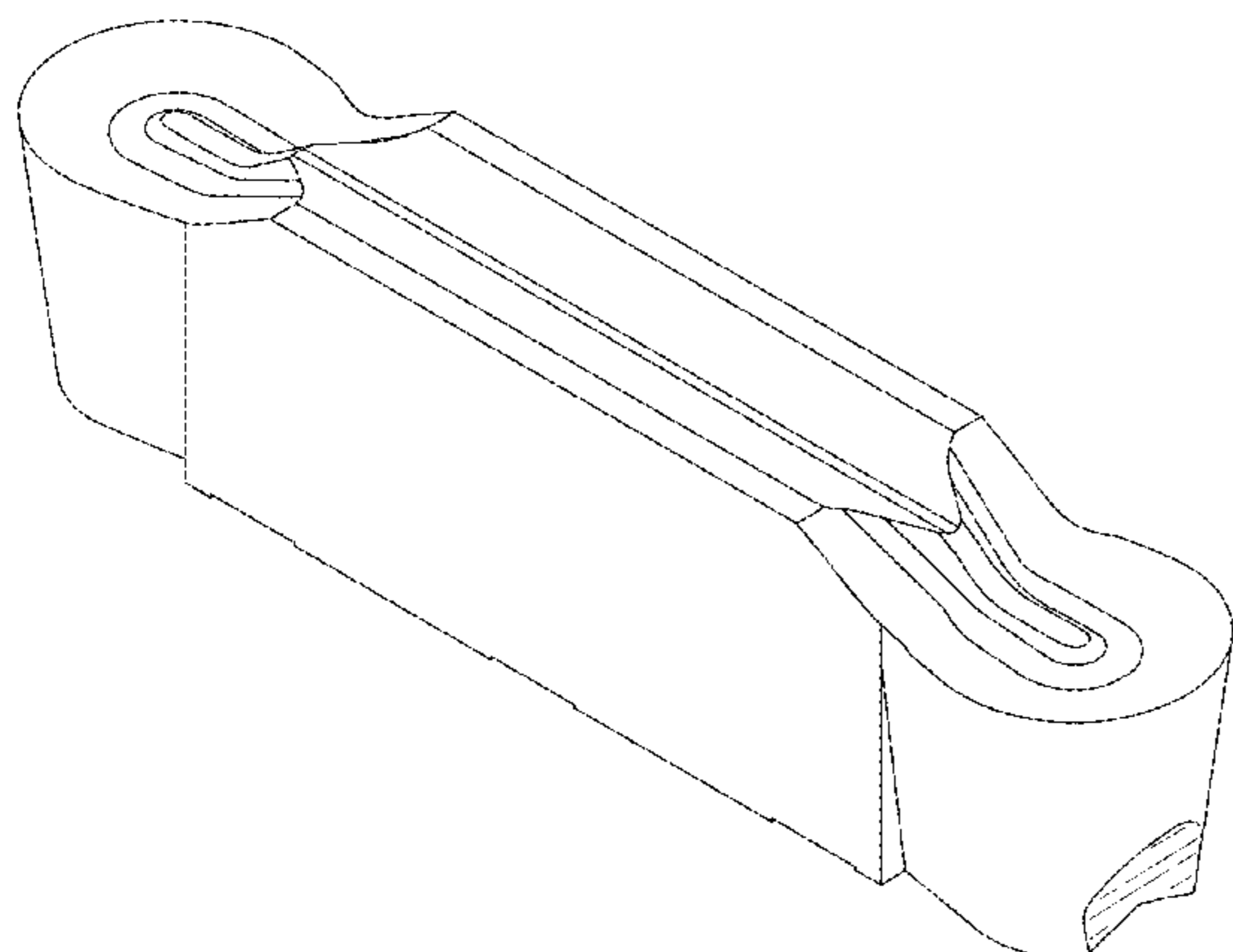
The ornamental design for a grooving insert for a machine tool, as shown and described.

DESCRIPTION

- 1. Grooving insert for a machine tool
- 1.1 : Upper perspective
- 1.2 : Front
- 1.3 : Back
- 1.4 : Left
- 1.5 : Right
- 1.6 : Top
- 1.7 : Bottom
- 1.8 : Lower perspective

The broken lines on Figs. 1.7 and 1.8 are for illustration only and form no part of the claimed design.

1 Claim, 8 Drawing Sheets



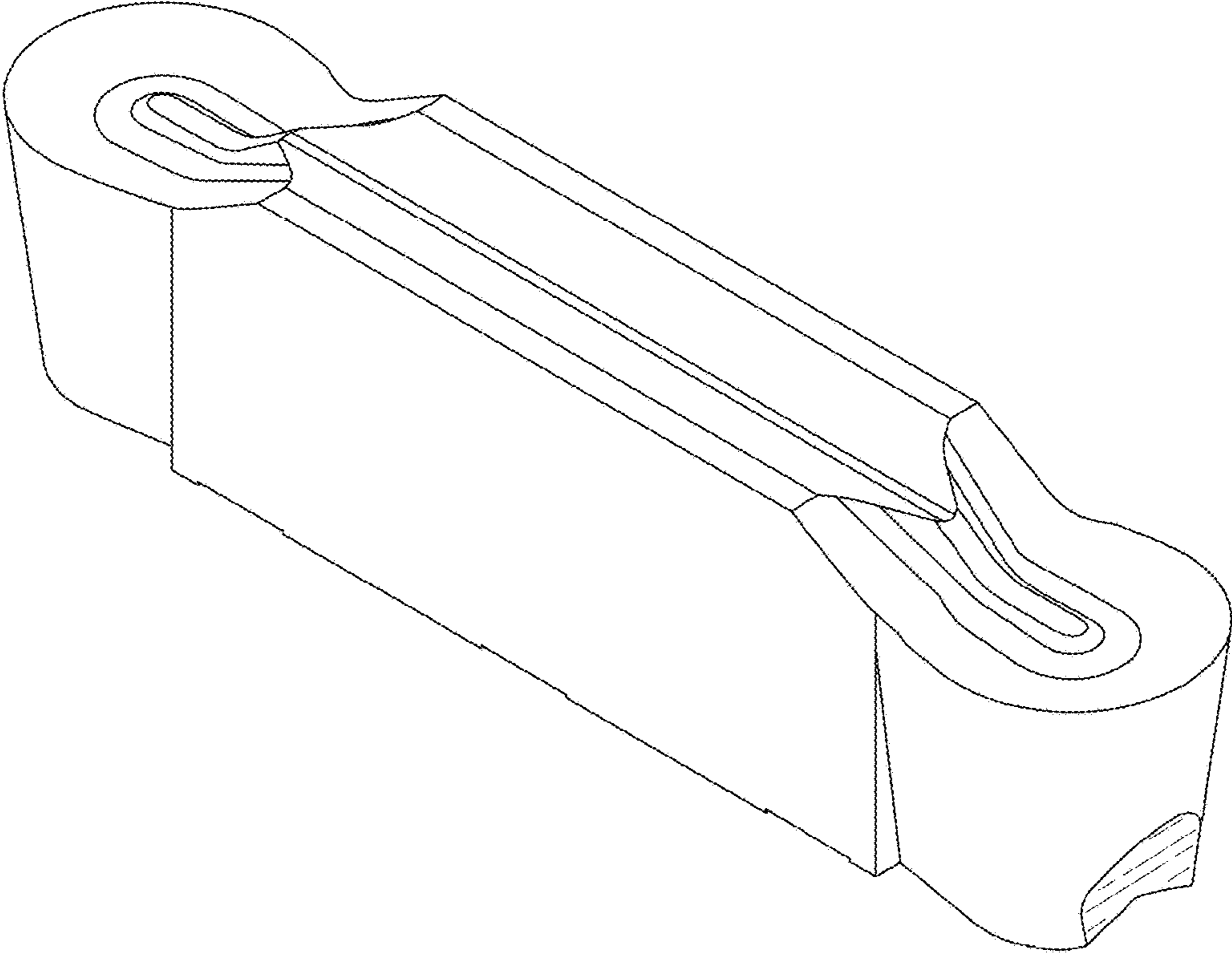
(56)

References Cited

U.S. PATENT DOCUMENTS

6,428,247 B1 * 8/2002 Friedman B23B 27/045
407/110
D466,537 S * 12/2002 Hansson D15/139
D470,516 S * 2/2003 Andersson D15/139
D470,517 S * 2/2003 Andersson D15/139
D476,669 S * 7/2003 Andersson D15/139
6,715,968 B1 * 4/2004 Tagtstrom B23B 27/045
407/116
7,313,991 B2 * 1/2008 Penkert B23B 27/06
407/113
8,366,355 B2 * 2/2013 Nagaya B23B 27/04
407/113
2002/0197119 A1 * 12/2002 Kinukawa B23B 27/045
407/114

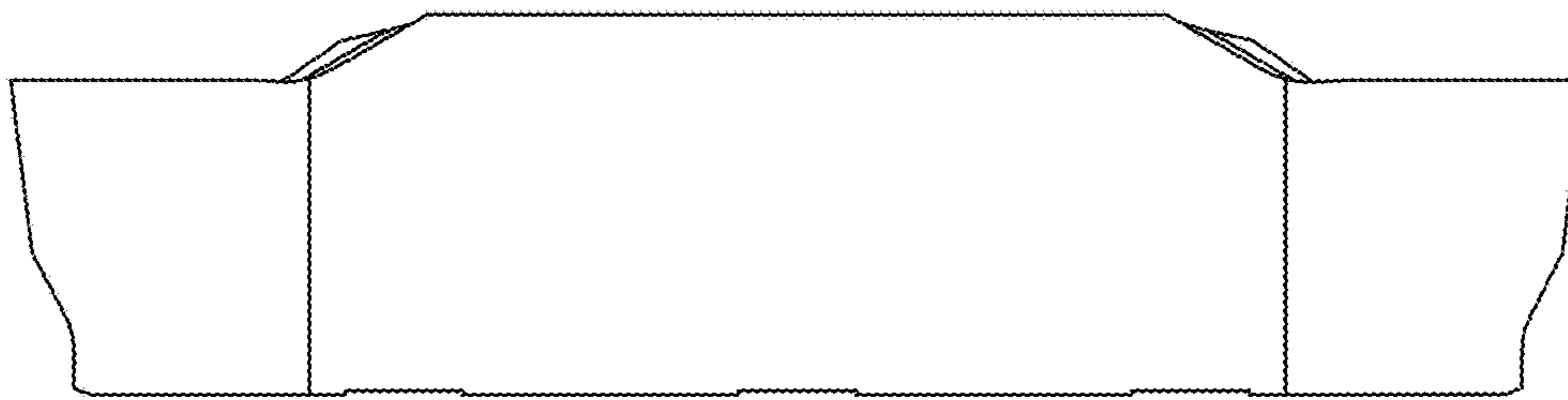
* cited by examiner



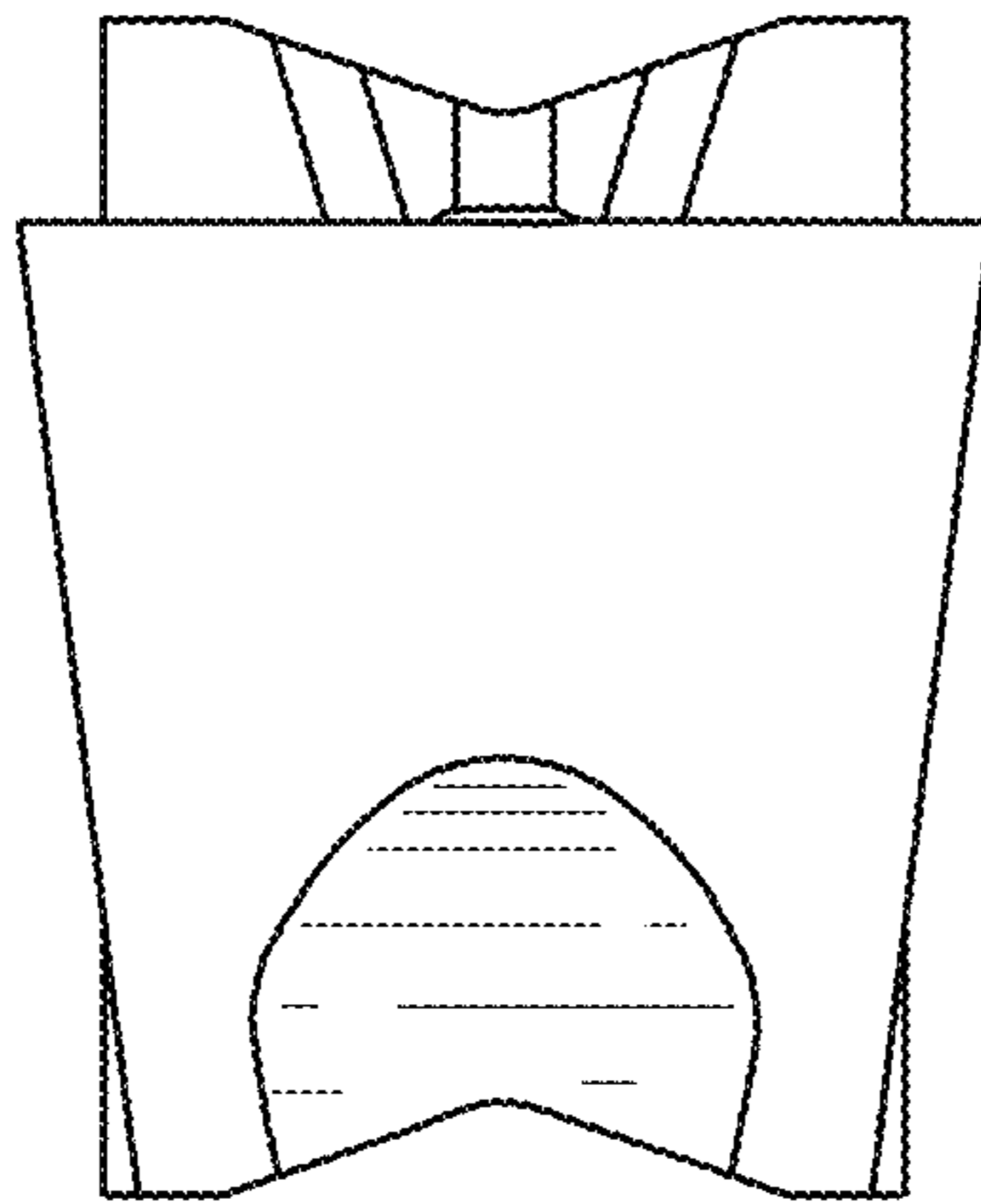
1.1



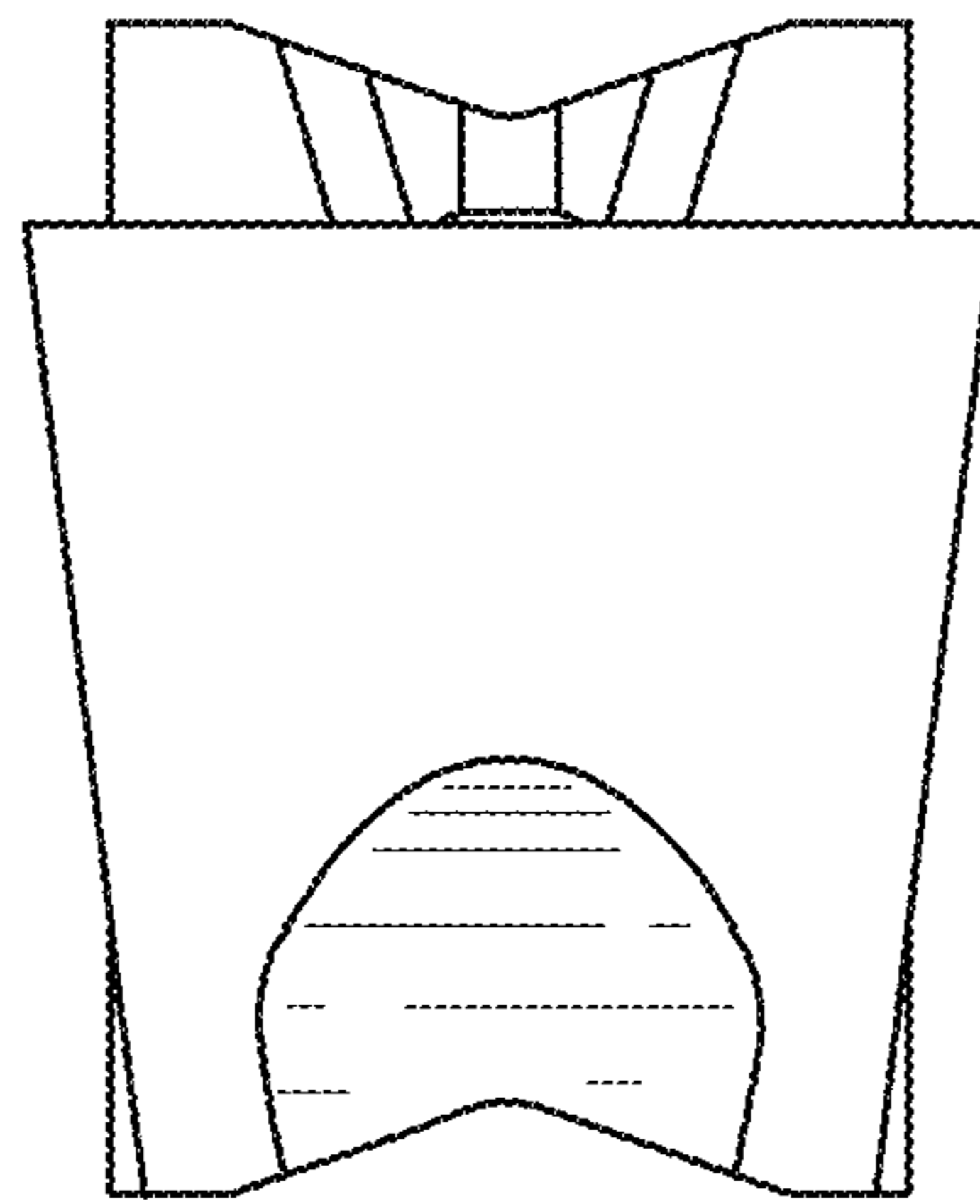
1.2



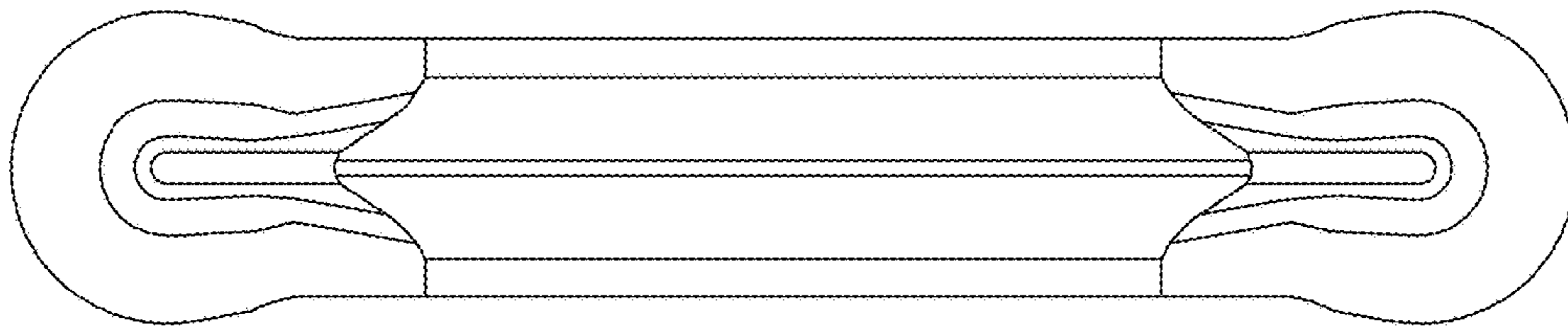
1.3



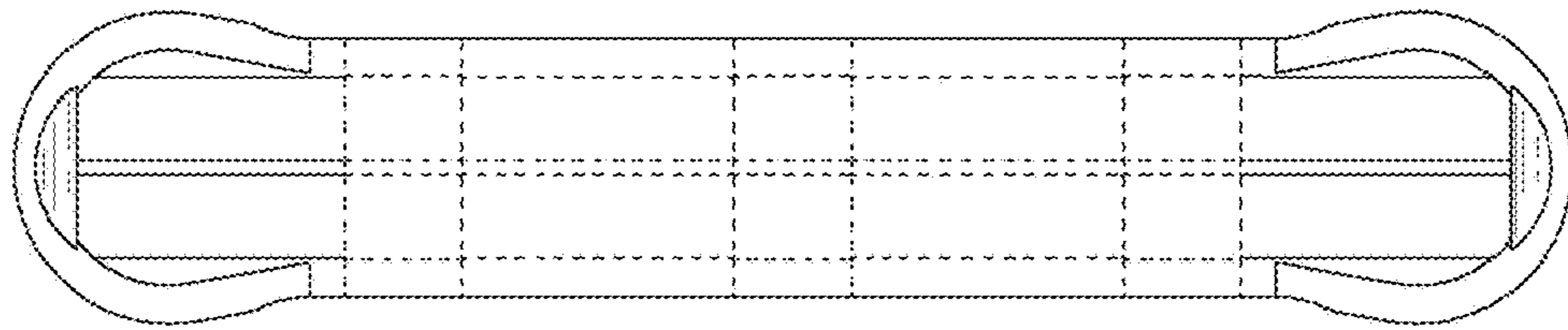
1.4



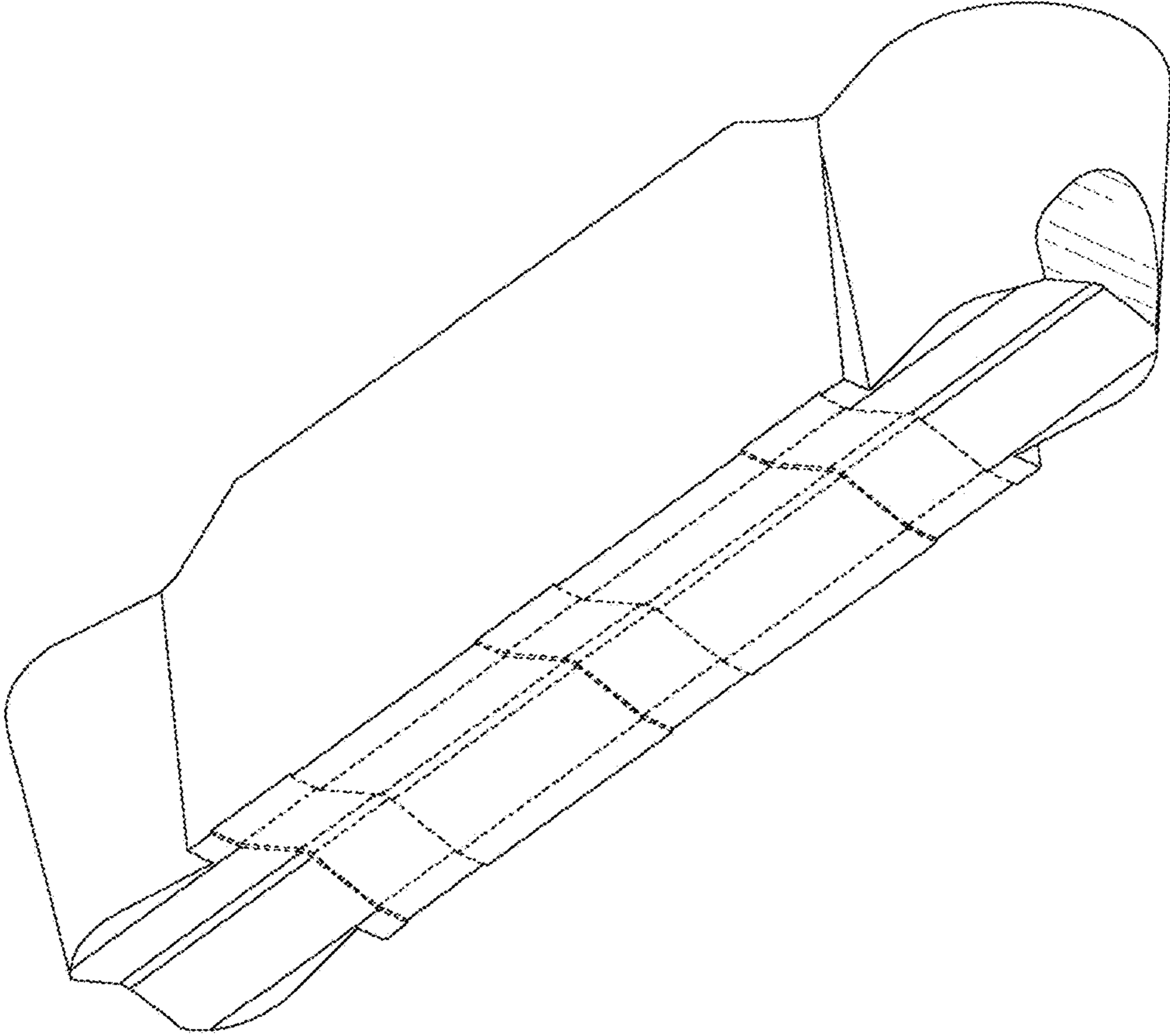
1.5



1.6



1.7



1.8