



US00D824437S

(12) **United States Design Patent** (10) **Patent No.:** **US D824,437 S**
Fukuyama et al. (45) **Date of Patent:** **** Jul. 31, 2018**

(54) **CUTTING INSERT HOLDER**

(71) Applicant: **SUMITOMO ELECTRIC HARDMETAL CORP.**, Itami-shi (JP)

(72) Inventors: **Tomoyuki Fukuyama**, Itami (JP);
Yosuke Shimamoto, Sorachi-gun (JP);
Takuma Kishimoto, Itami (JP)

(73) Assignee: **SUMITOMO ELECTRIC HARDMETAL CORP.**, Itami-shi (JP)

(**) Term: **15 Years**

(21) Appl. No.: **29/603,820**

(22) Filed: **May 12, 2017**

(30) **Foreign Application Priority Data**

Nov. 15, 2016 (JP) 2016-024843

(51) **LOC (11) Cl.** **15-03**

(52) **U.S. Cl.**
USPC **D15/139**

(58) **Field of Classification Search**

USPC D15/124-144; D8/70, 90, 98, 120
CPC B23C 2200/0411; B23C 2200/0416; B23C
2200/0433; B23C 2200/164; B23C
2200/361; B23C 2210/0457; B23C 5/006;
B23C 2200/168; B23C 2210/163; B23C
2226/125; B23C 5/10; B23C 2200/081;
B23C 2200/087; B23C 2200/161; B23C
2200/206; B23C 2210/02; B23C 2210/03;
B23C 2210/166; B23C 2210/50; B23C

(Continued)

(56) **References Cited**

U.S. PATENT DOCUMENTS

D278,716 S * 5/1985 Pano D15/139
D330,033 S * 10/1992 Gustafsson D15/139

(Continued)

Primary Examiner — Ian Simmons

Assistant Examiner — Khawaja Anwar

(74) *Attorney, Agent, or Firm* — Venable LLP; Michael A. Sartori; Miguel A. Lopez

(57) **CLAIM**

The ornamental design for a cutting insert holder, as shown and described.

DESCRIPTION

FIG. 1 is a front view of a cutting insert holder, showing our new design;

FIG. 2 is a rear view thereof;

FIG. 3 is a top view thereof;

FIG. 4 is a bottom view thereof;

FIG. 5 is a right side view thereof;

FIG. 6 is a left side view thereof;

FIG. 7 is a perspective view thereof;

FIG. 8 is an enlarged view thereof taken along line 8-8 of FIG. 6;

FIG. 9 is an enlarged view taken along line 9-9 of FIG. 6;

FIG. 10 is a cross sectional view taken along line 10-10 of FIG. 6;

FIG. 11 is an enlarged view taken along line 11-11 of FIG. 3;

FIG. 12 is an enlarged view taken along line 12-12 of FIG. 7;

FIG. 13 is an enlarged view taken along line 13-13 of FIG. 7;

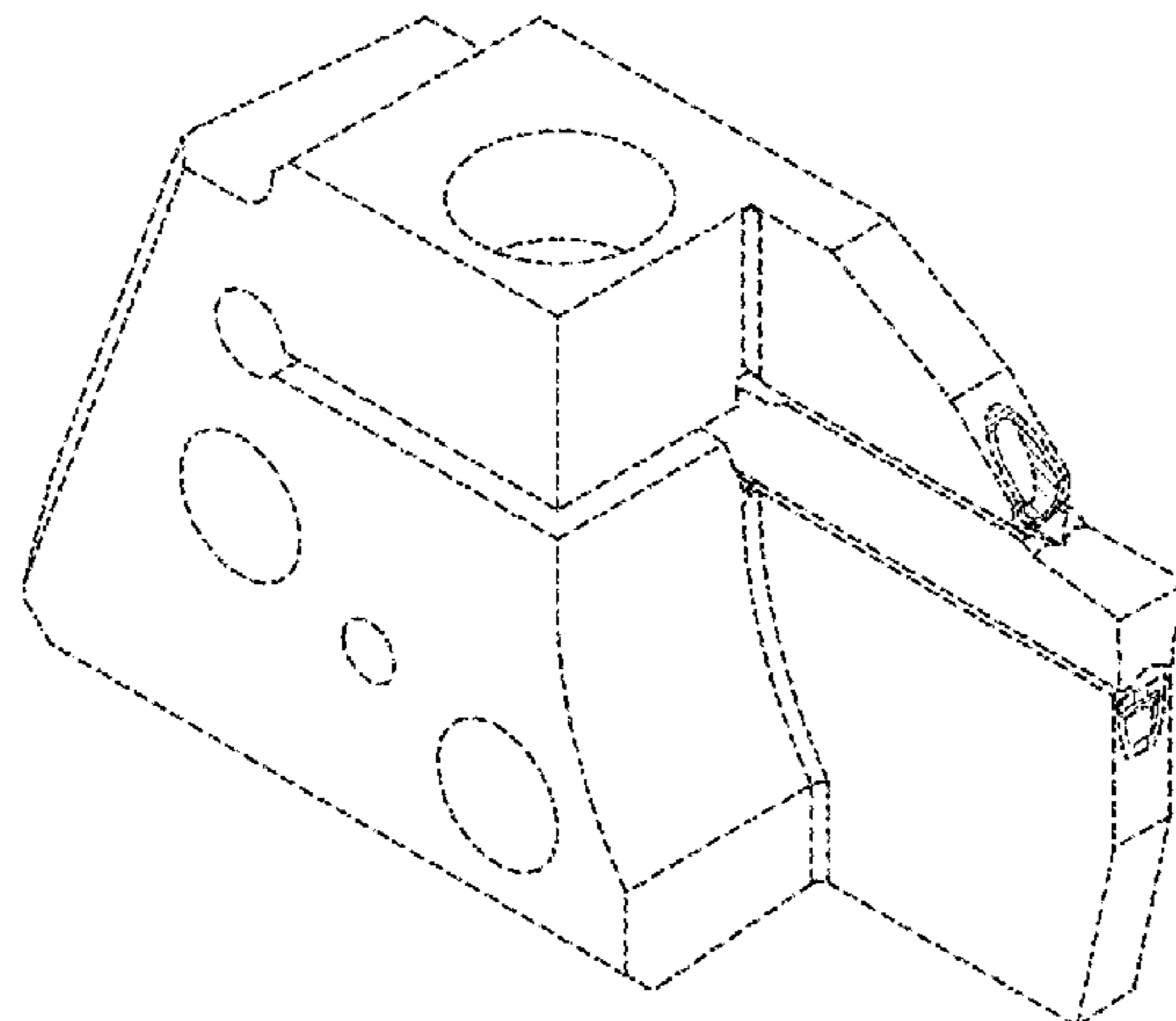
FIG. 14 is an enlarged view taken along line 14-14 of FIG. 10;

FIG. 15 is an enlarged view taken along line 15-15 of FIG. 10; and,

FIG. 16 is another perspective view showing the cutting insert holder in an alternate usage condition.

The broken lines shown in the figures represent portions that form no part of the claimed design. The dashed-dotted lines shown in the figures represent boundaries between the claimed design and environmental features.

1 Claim, 8 Drawing Sheets



(58) **Field of Classification Search**

CPC 2226/315; B23C 5/2208; B23C 5/2472;
B23C 2200/0477; B23C 2200/0483;
B23C 2200/083; B23C 2200/121; B23C
2200/362; B23C 2210/0428; B23C
2210/0435; B23C 2210/16; B23C
2220/36; B23C 2220/44; B23C 2240/08;
B23C 2250/12; B23C 2270/06; B23C
5/2204; B23C 5/2213; B23C 5/2247;
B23C 5/2427; B23C 2200/0422; B23C
2200/08; B23C 2200/086; B23C
2200/123

See application file for complete search history.

(56) **References Cited**

U.S. PATENT DOCUMENTS

D376,807 S	*	12/1996	Satran	D15/139
D539,316 S	*	3/2007	Tempel	D15/139
D555,683 S	*	11/2007	Sakata	D15/139
D637,214 S	*	5/2011	Saito	D15/139
D638,041 S	*	5/2011	Saito	D15/139
D777,230 S	*	1/2017	Fang	D15/139
D778,330 S	*	2/2017	Fang	D15/139
D800,188 S	*	10/2017	Kanada	D15/139
D807,935 S	*	1/2018	Dudzinsky	D15/139

* cited by examiner

FIG.1

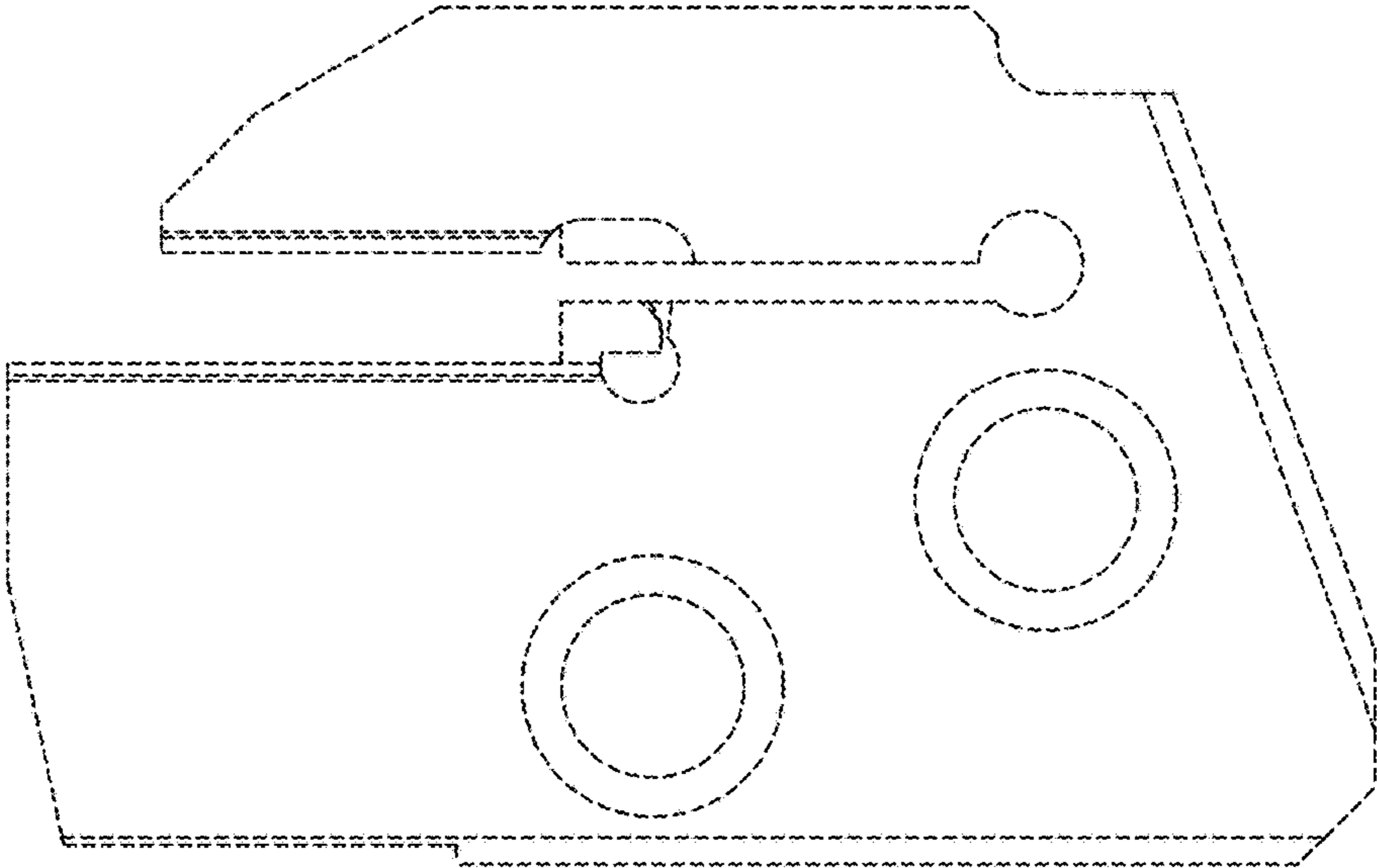


FIG.2

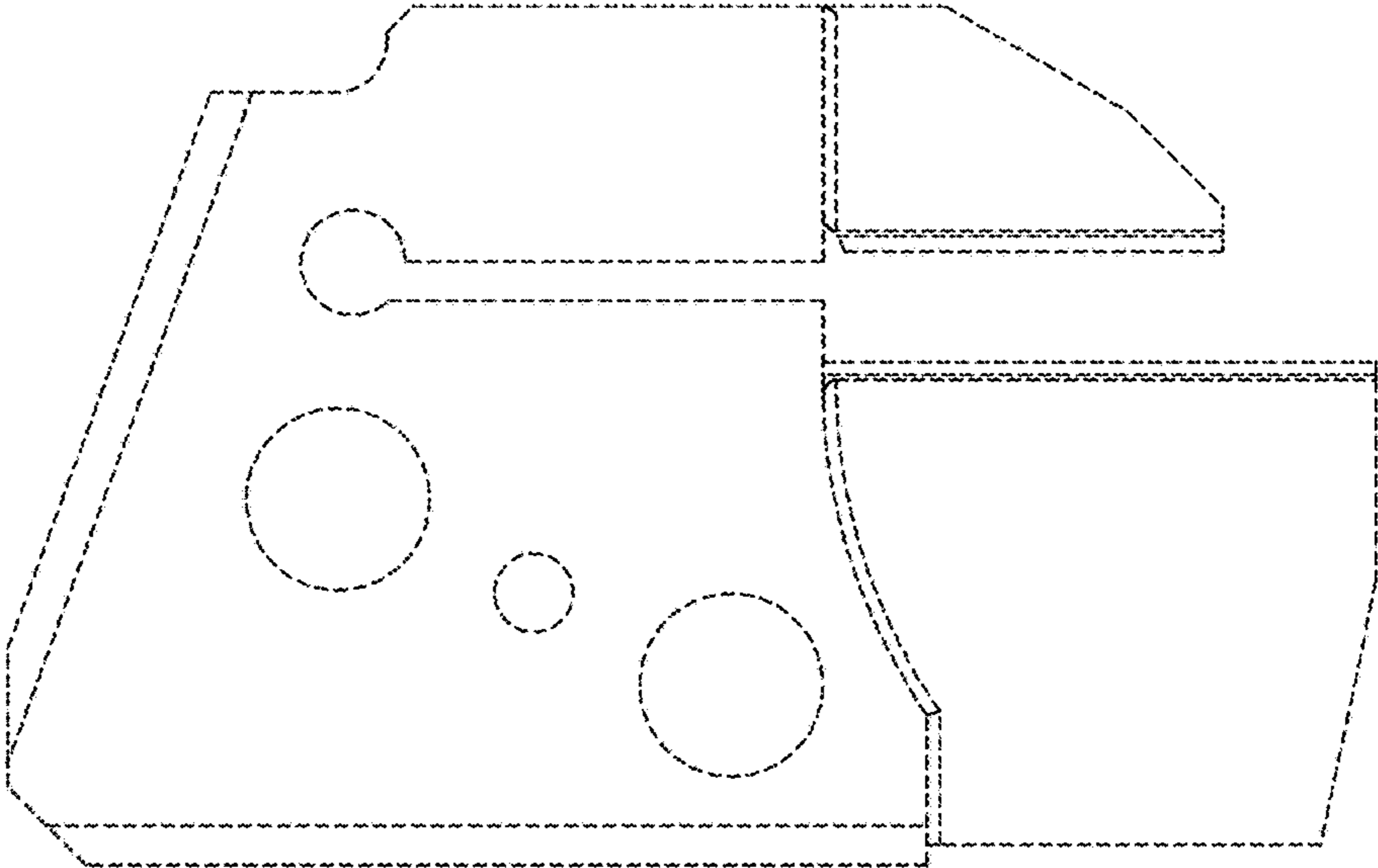


FIG.3

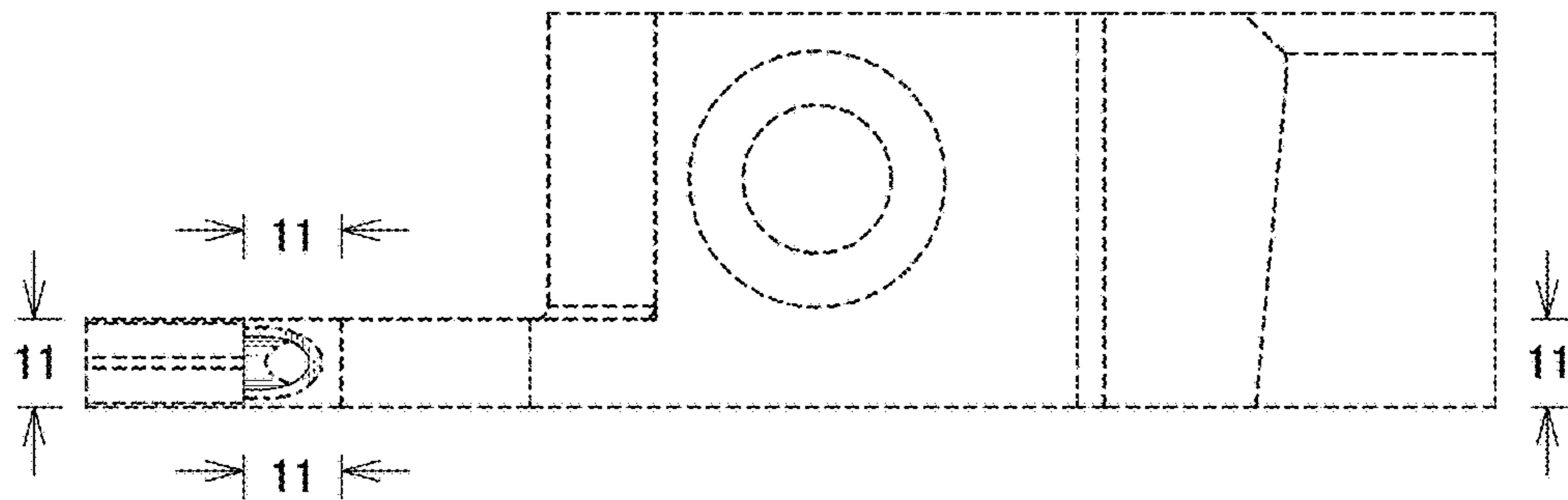


FIG.4

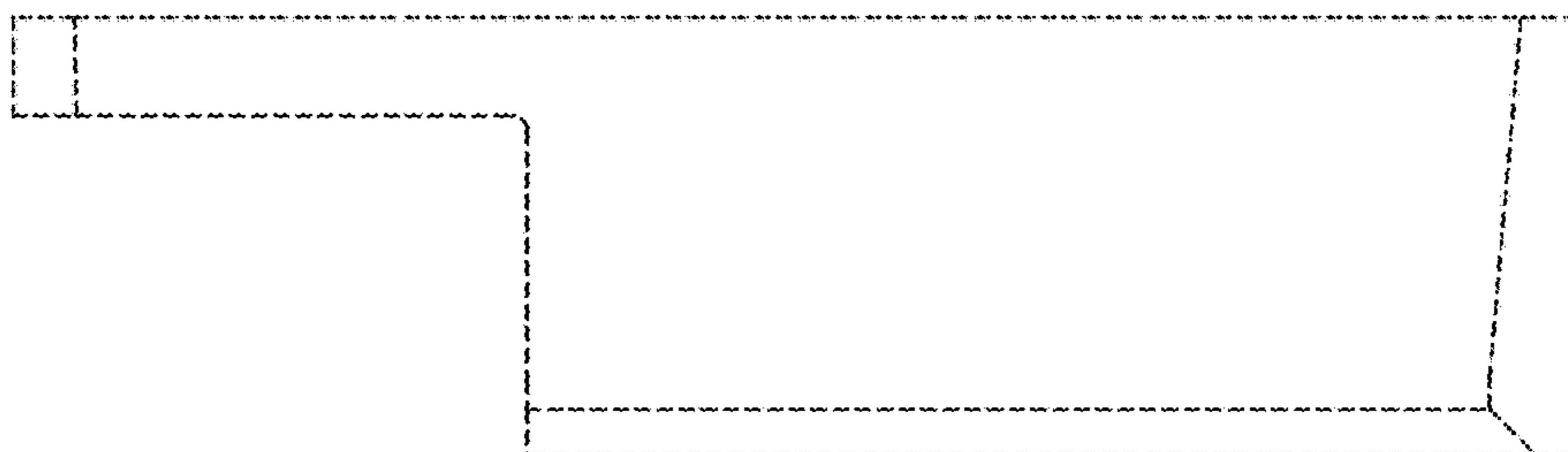


FIG.5

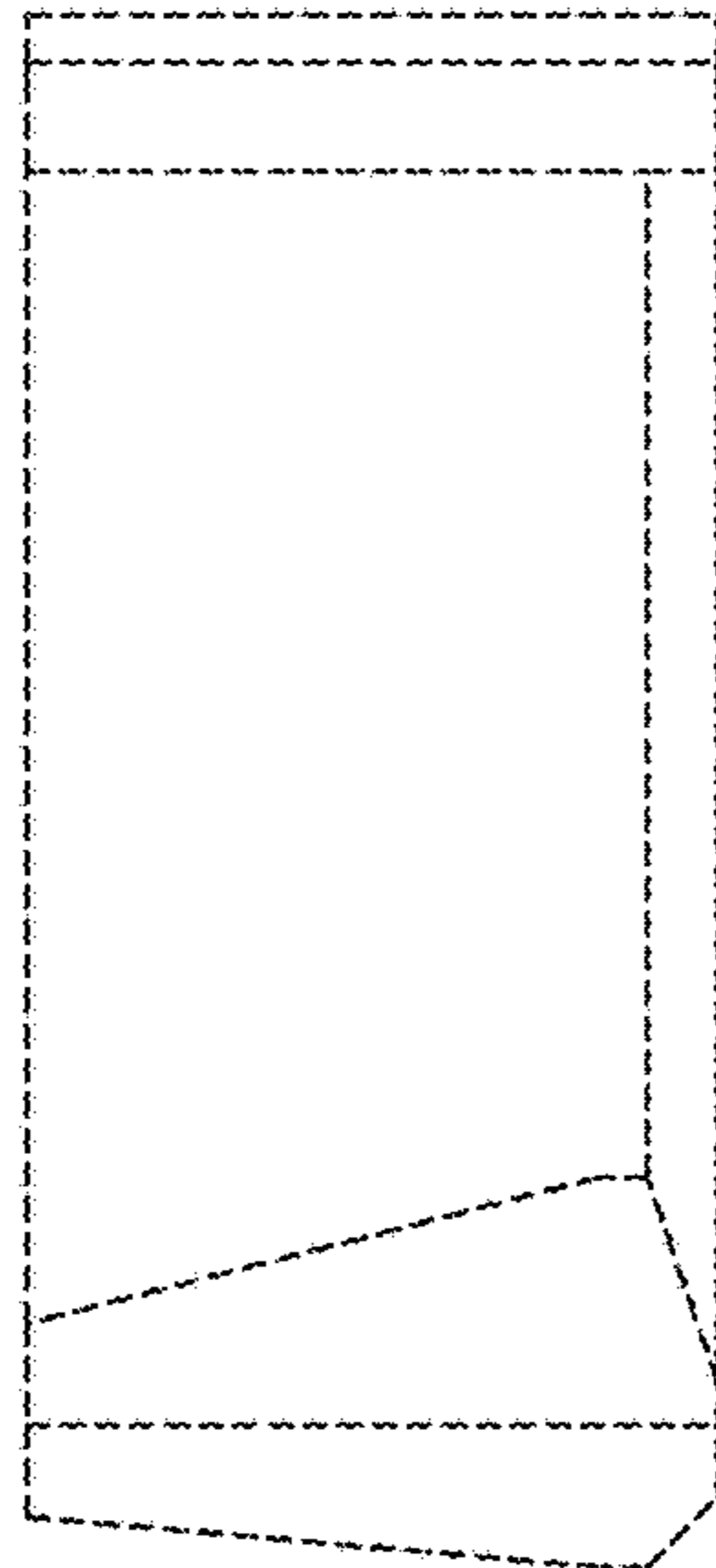


FIG.6

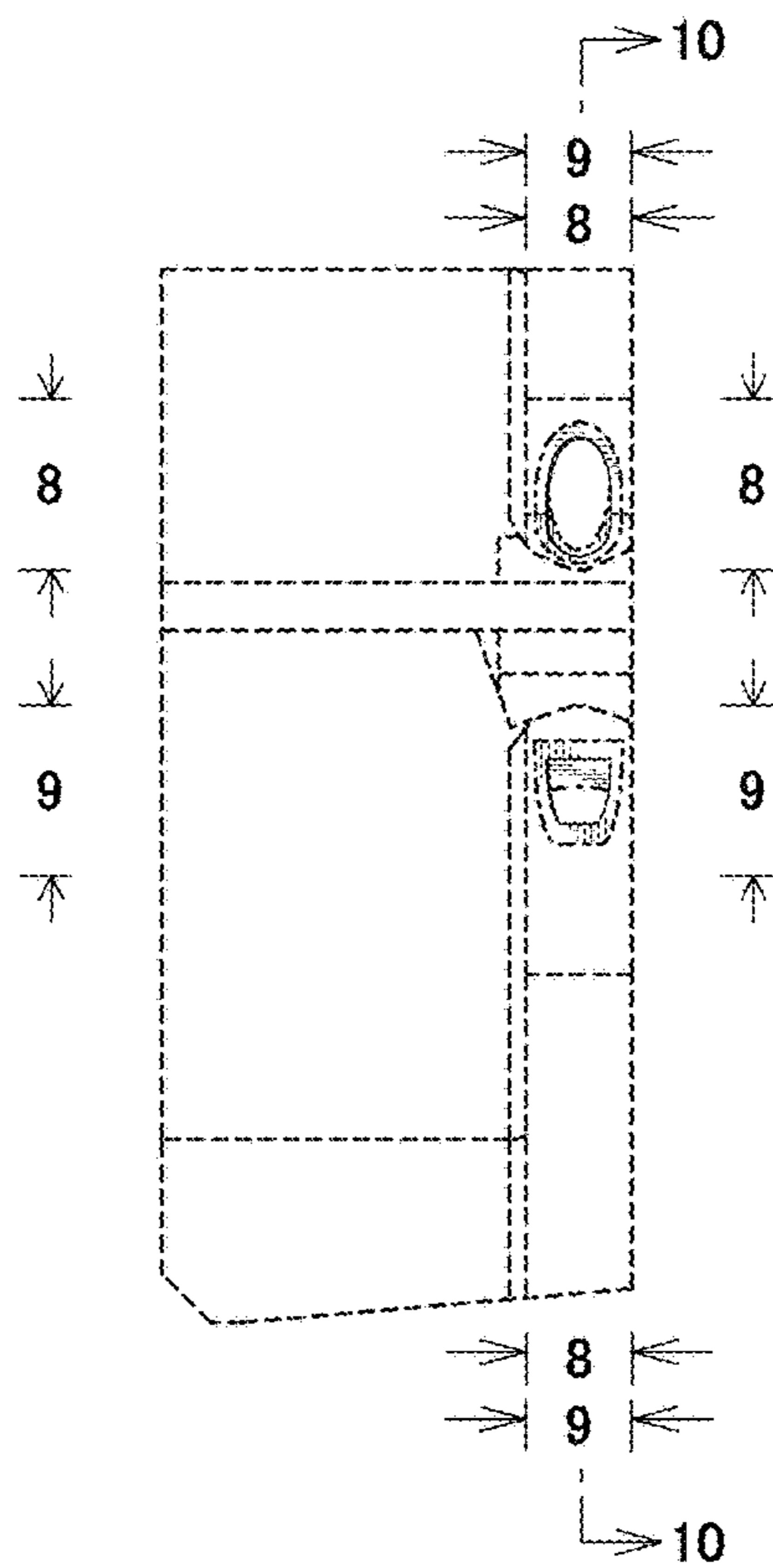


FIG.7

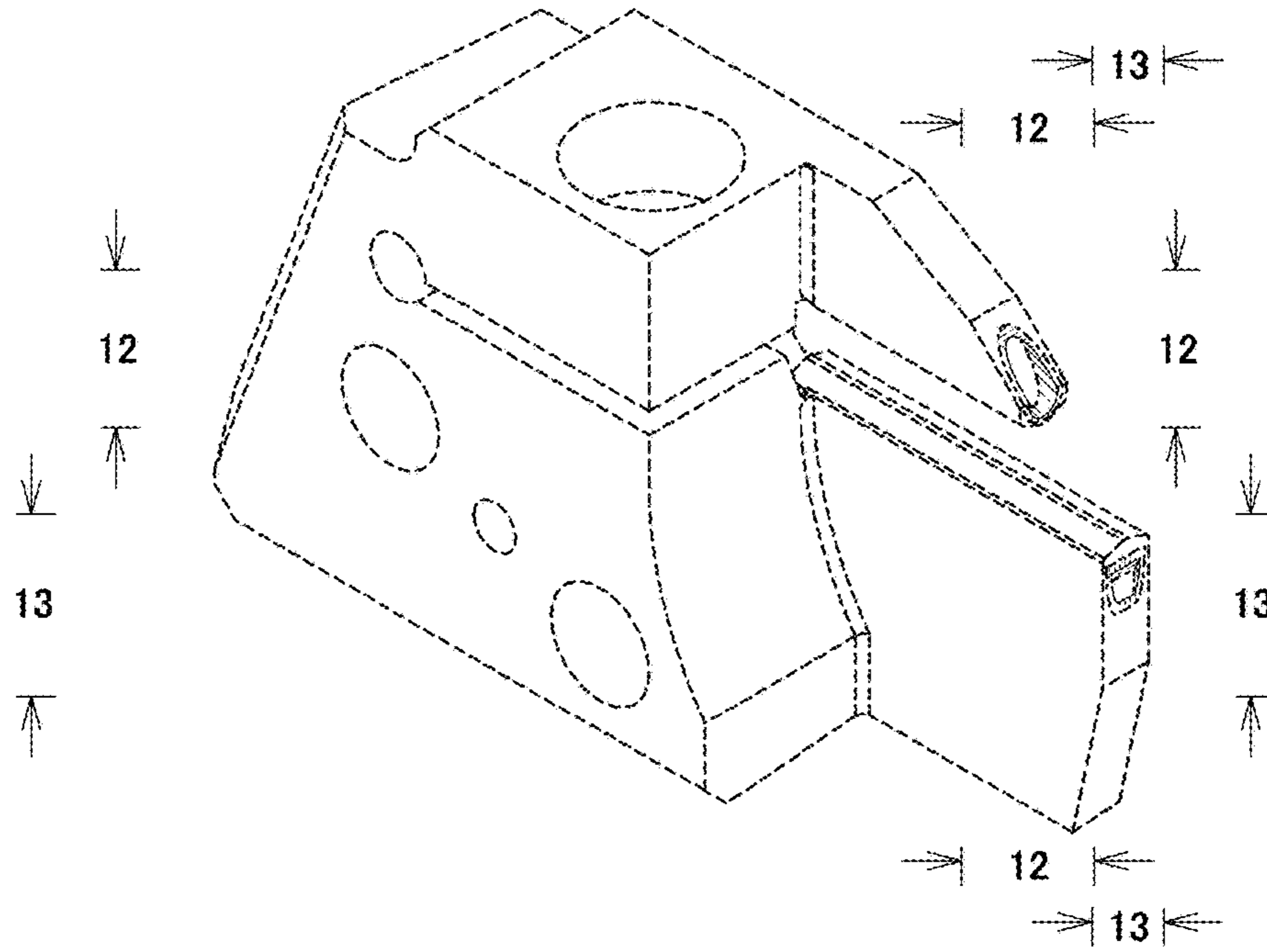


FIG.8

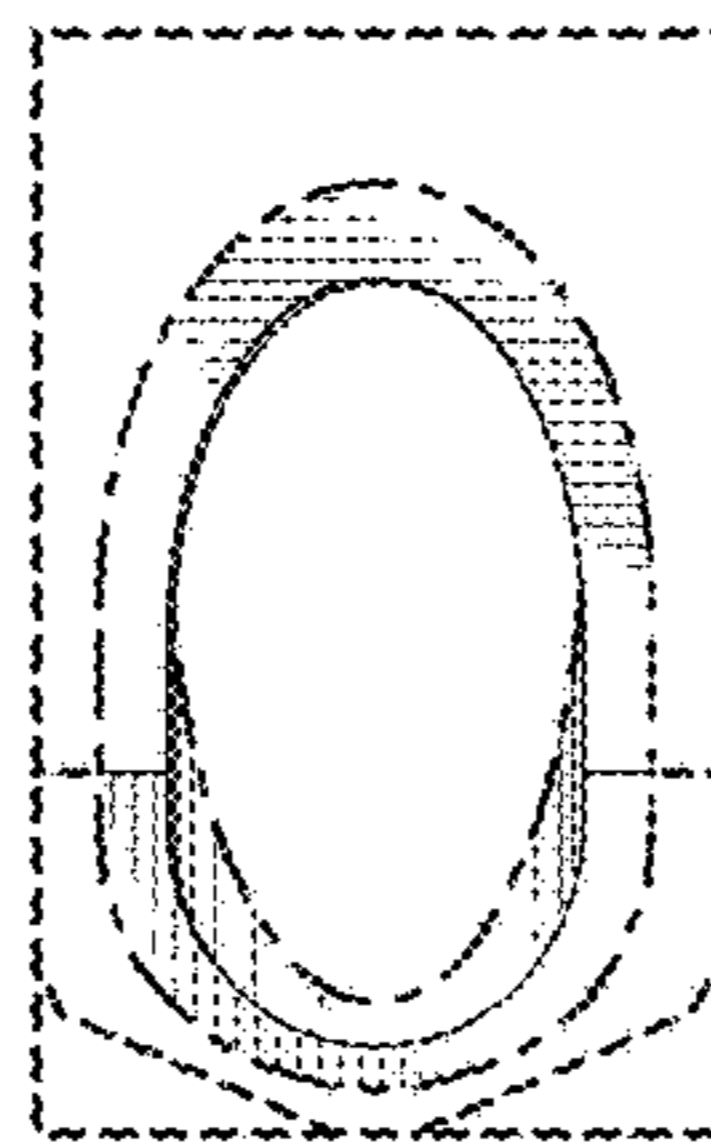


FIG.9

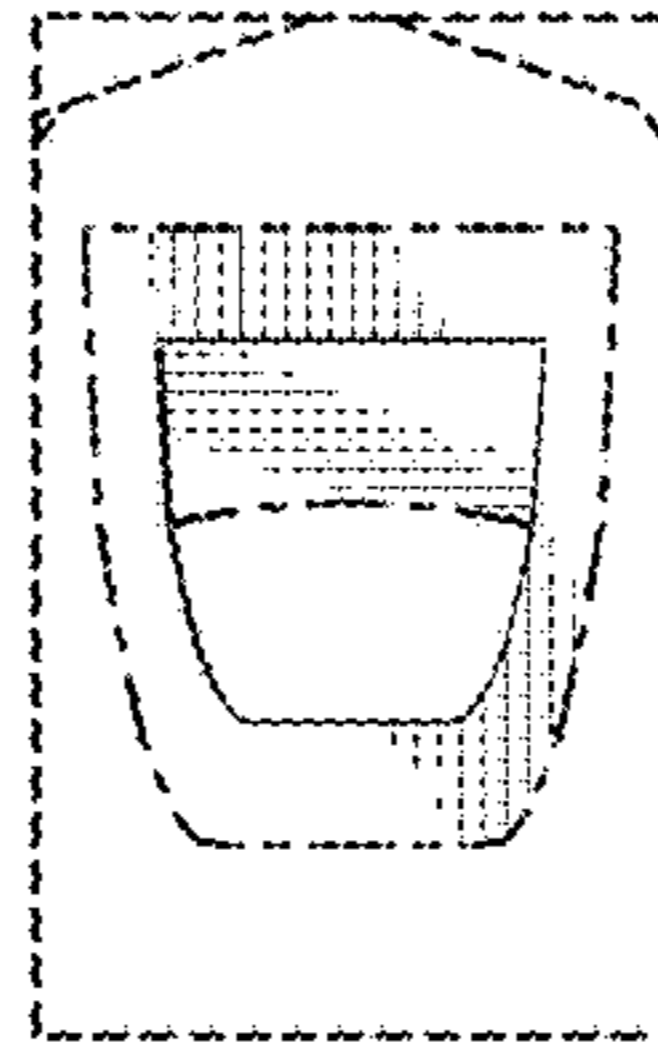


FIG.10

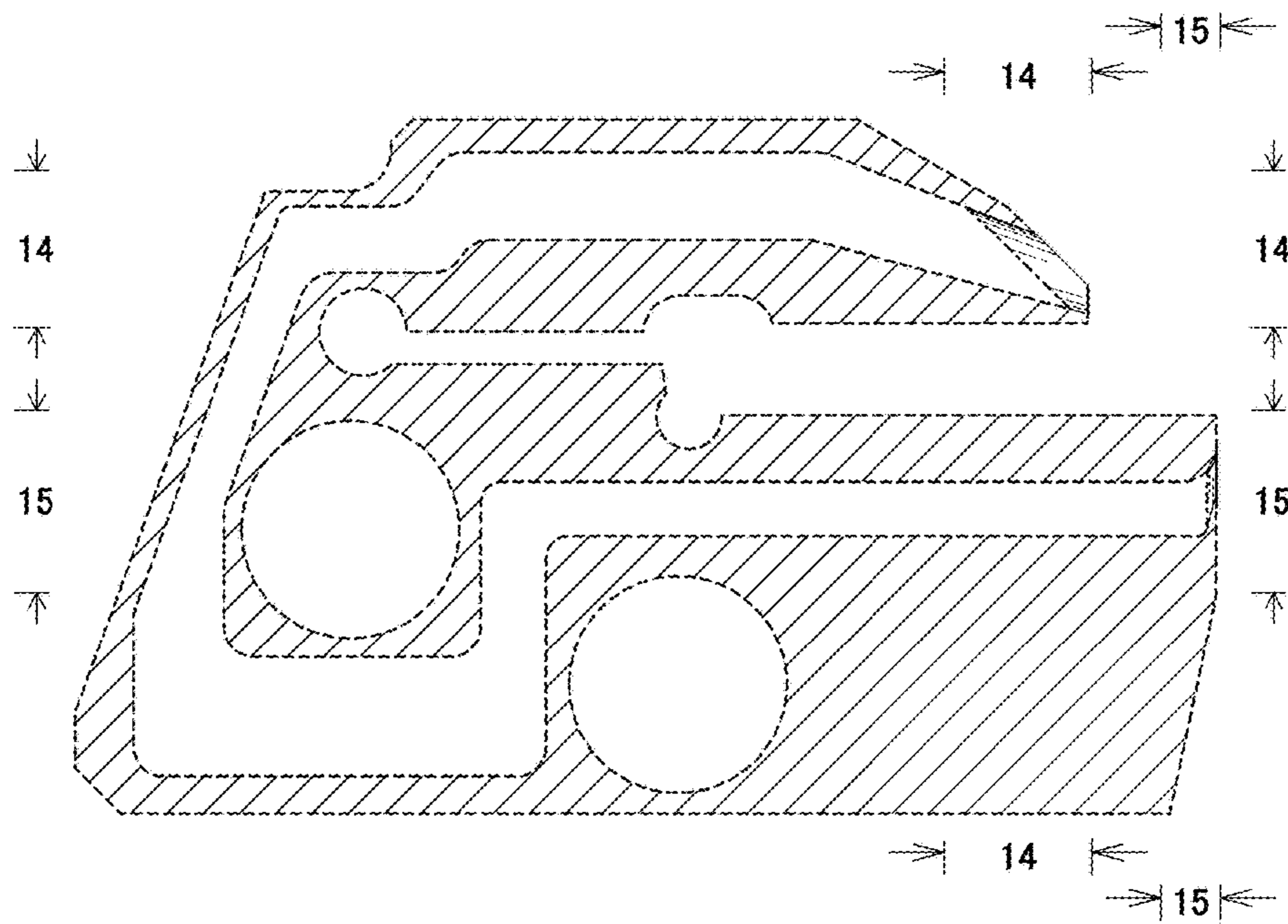


FIG.11

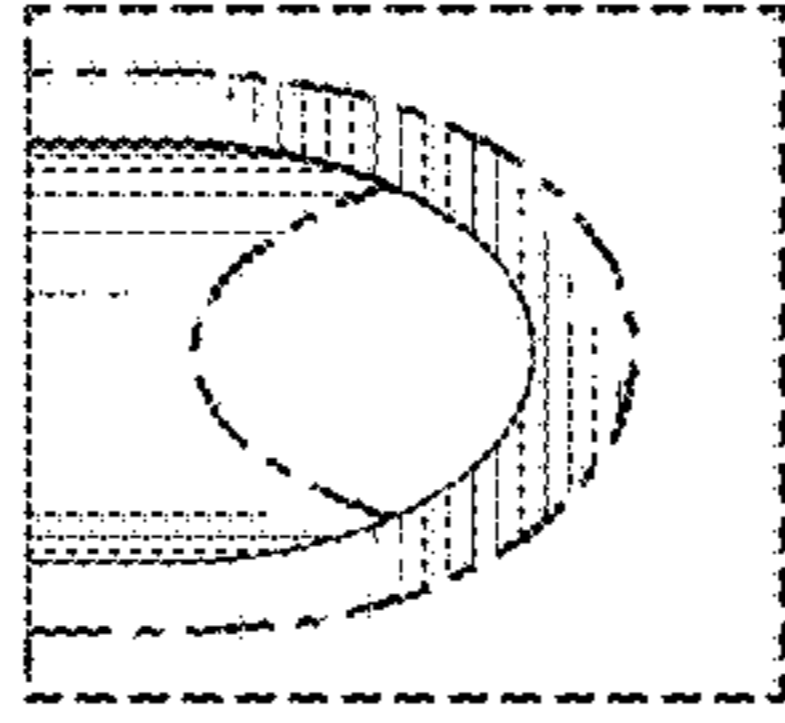


FIG.12

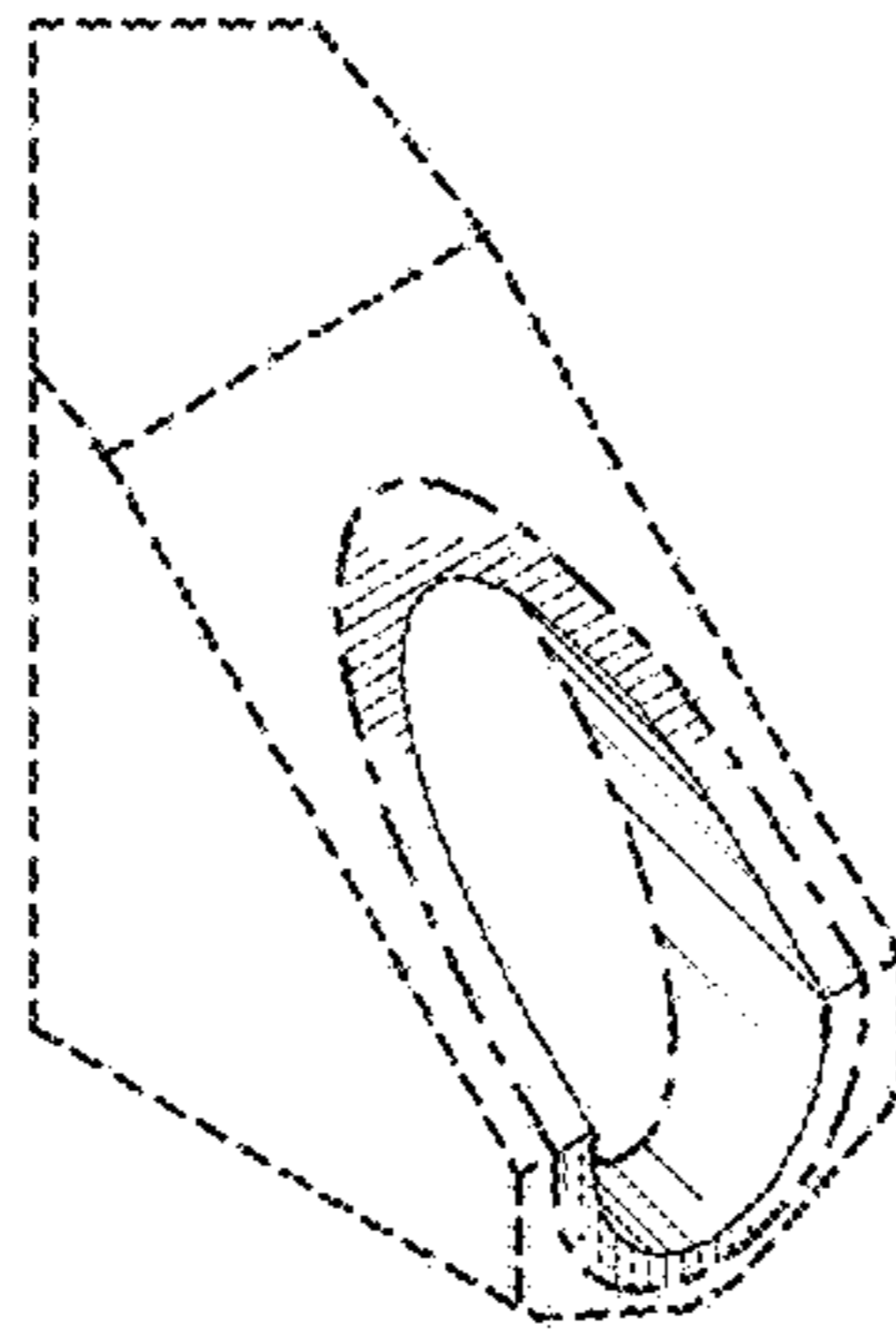


FIG.13

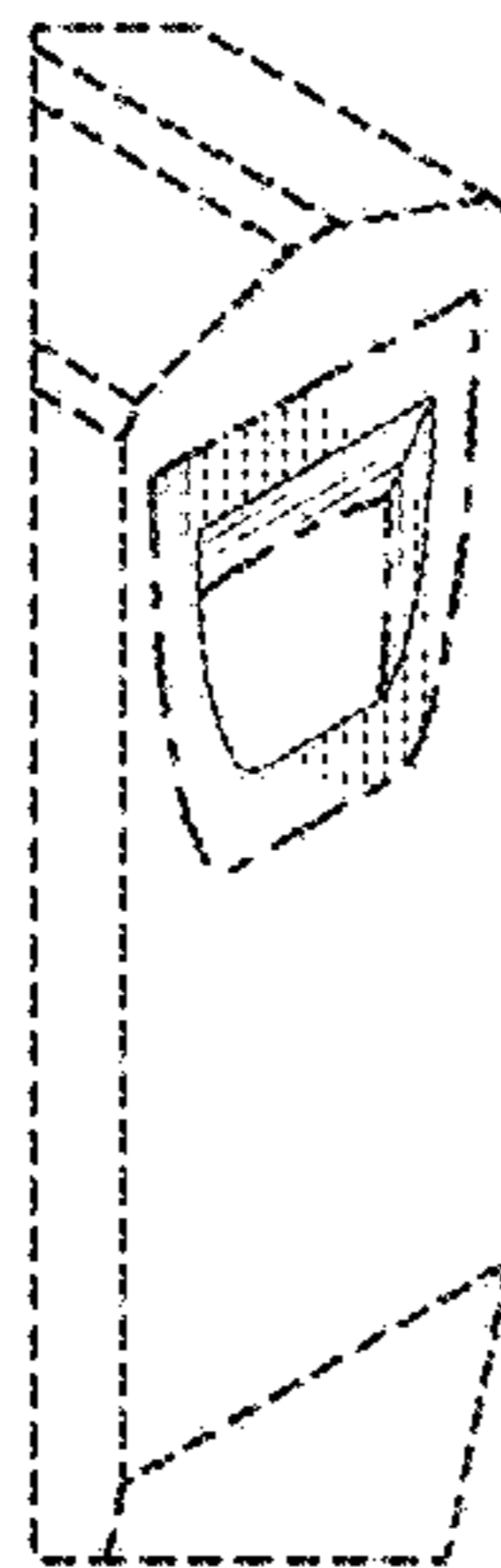


FIG.14

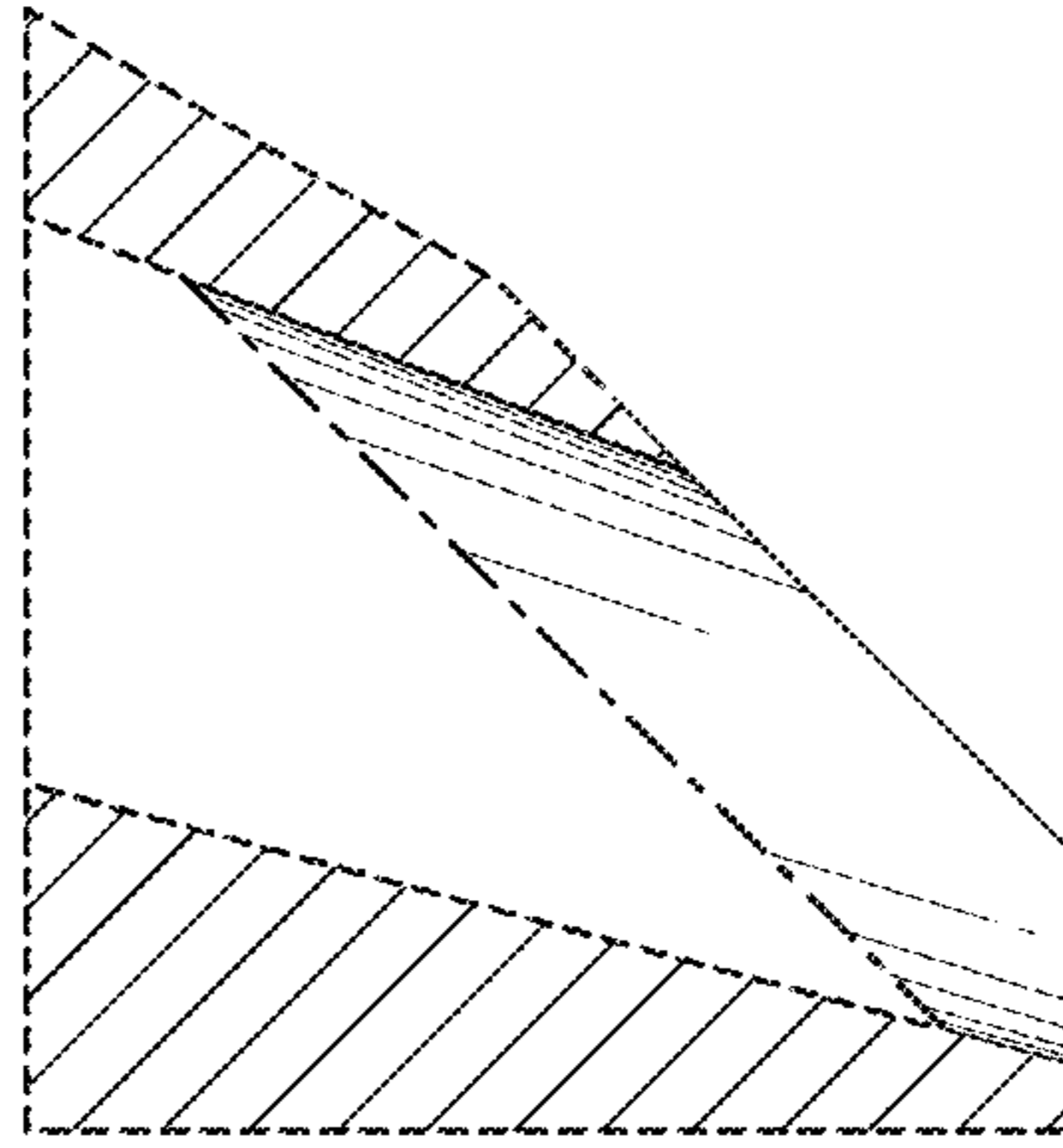


FIG.15

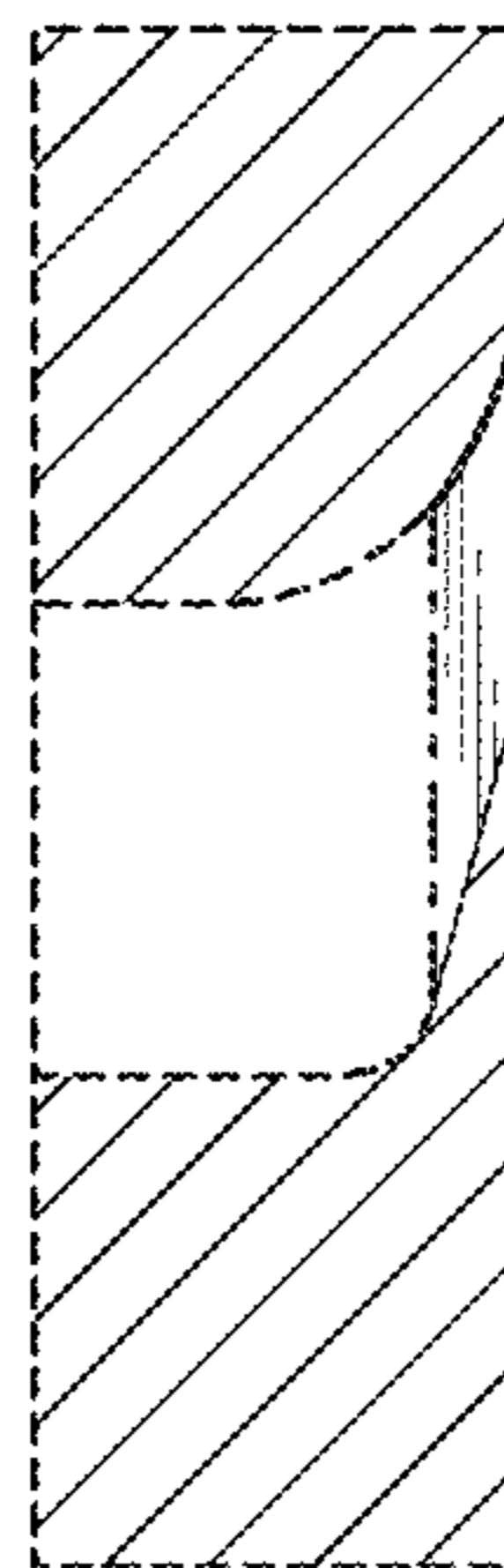


FIG.16

