



US00D824436S

(12) **United States Design Patent** (10) **Patent No.:** **US D824,436 S**  
**Porturas et al.** (45) **Date of Patent:** **\*\* Jul. 31, 2018**

(54) **SPIRAL TAPERED CUTTER BIT FOR DRILL HEAD**

(71) Applicants: **Luis Miguel Porturas**, El Cajon, CA (US); **Richard W. Watson**, Lakeside, CA (US)

(72) Inventors: **Luis Miguel Porturas**, El Cajon, CA (US); **Richard W. Watson**, Lakeside, CA (US)

(\*\*) Term: **15 Years**

(21) Appl. No.: **29/577,362**

(22) Filed: **Sep. 12, 2016**

(51) **LOC (11) Cl.** ..... **15-03**

(52) **U.S. Cl.**  
USPC ..... **D15/139**

(58) **Field of Classification Search**  
USPC ..... D15/131, 138–145  
CPC ..... B23C 5/06; B23C 5/207; B23C 2210/168;  
B23C 5/202; B23C 5/109; B23C 2200/208; B23C 5/10; B23C 2200/203;  
B23C 5/2221; B23C 2200/125; B23C 2200/205; B23C 5/20; B23C 2200/085;  
B23C 2200/367; B23C 2210/045; B23C 2200/128; B23C 2200/045; B23C 2200/0477; B23C 2200/168; B23C 2200/206; B23C 5/2213; B23C 2200/0444; B23C 2200/161; B23C 2200/201; B23C 2200/286; B23C 5/205; B23C 2200/081; B23C 2200/087; B23C 2200/164; B23C 2200/165; B23C 2200/361; B23C 2210/0421; B23C 2210/0428; B23C 2210/0435; B23C 2210/0442; B23C 2210/0457; B23C 2210/0492; B23C 2210/203; B23C 2220/60; B23C 5/1009; B23C 2200/0416; B23C 2200/0455; B23C 2200/0494; B23C 2200/123; B23C 2210/0407; B23C 2210/0414; B23C 2210/163

See application file for complete search history.

(56) **References Cited**

U.S. PATENT DOCUMENTS

D708,238 S \* 7/2014 Matti ..... D15/139  
D772,315 S \* 11/2016 Friederichs ..... D15/139  
D775,676 S \* 1/2017 Matti ..... D15/139

(Continued)

*Primary Examiner* — Ian Simmons  
*Assistant Examiner* — Khawaja Anwar

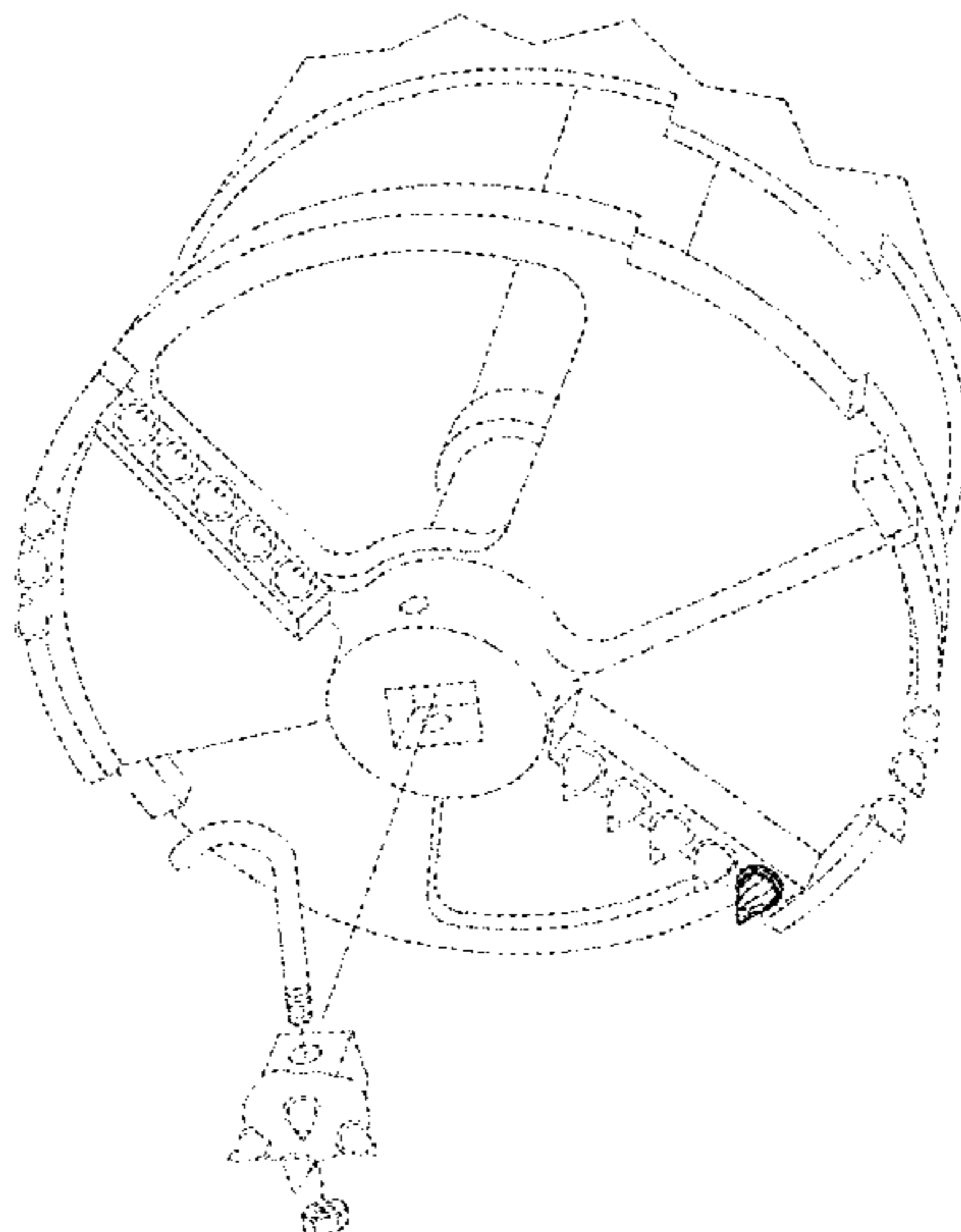
(57) **CLAIM**

We claim the ornamental design for a spiral tapered cutter bit for drill head, as shown and described.

**DESCRIPTION**

FIG. 1 is a bottom and front elevational view of the spiral tapered cutter bit for drill head, shown in place on a drill head;  
FIG. 2 is a side elevational view of the spiral tapered cutter bit for drill head;  
FIG. 3 is a bottom plan view of the spiral tapered cutter bit for drill head of FIG. 2;  
FIG. 4 is a top plan view of the spiral tapered cutter bit for drill head of FIG. 2;  
FIG. 5 is a side elevational view of the spiral tapered cutter bit for drill head of FIG. 2;  
FIG. 6 is a side elevational view of the spiral tapered cutter bit for drill head of FIG. 2;  
FIG. 7 is a side elevational view of the spiral tapered cutter bit for drill head of FIG. 2;  
FIG. 8 is a bottom and side perspective view of the spiral tapered cutter bit for drill head of FIG. 2; and,  
FIG. 9 is a top and side perspective view of the spiral tapered cutter bit for drill head of FIG. 2.  
The broken lines in FIGS. 1, 2, 4, 5, 6, 7, 8 and 9 of the drawings show unclaimed environment only and form no part of the claimed design.

**1 Claim, 4 Drawing Sheets**



(56)

**References Cited**

U.S. PATENT DOCUMENTS

D796,563 S \* 9/2017 Sharivker ..... D15/139  
D799,574 S \* 10/2017 Fothergill ..... D15/139

\* cited by examiner

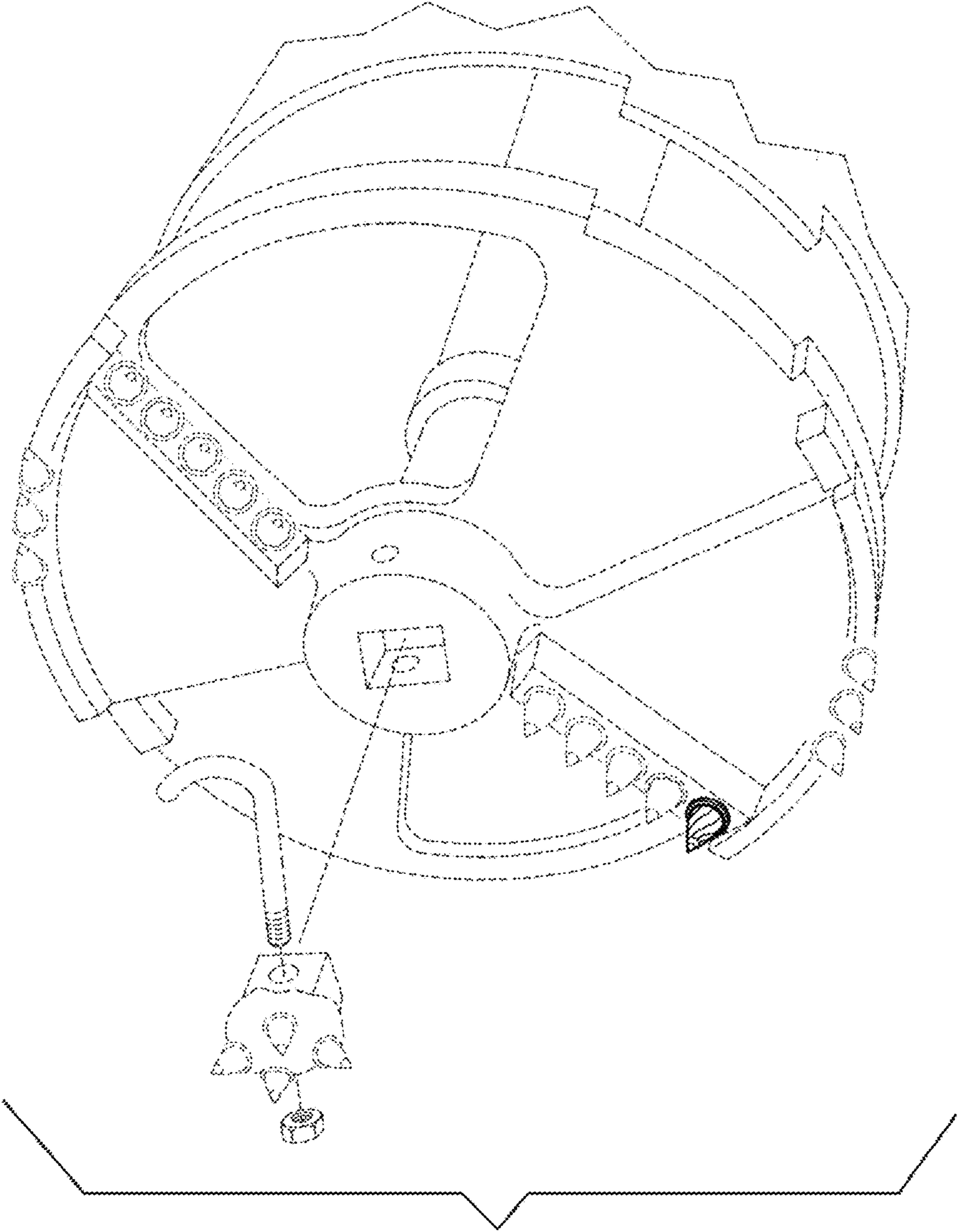


FIG. 1

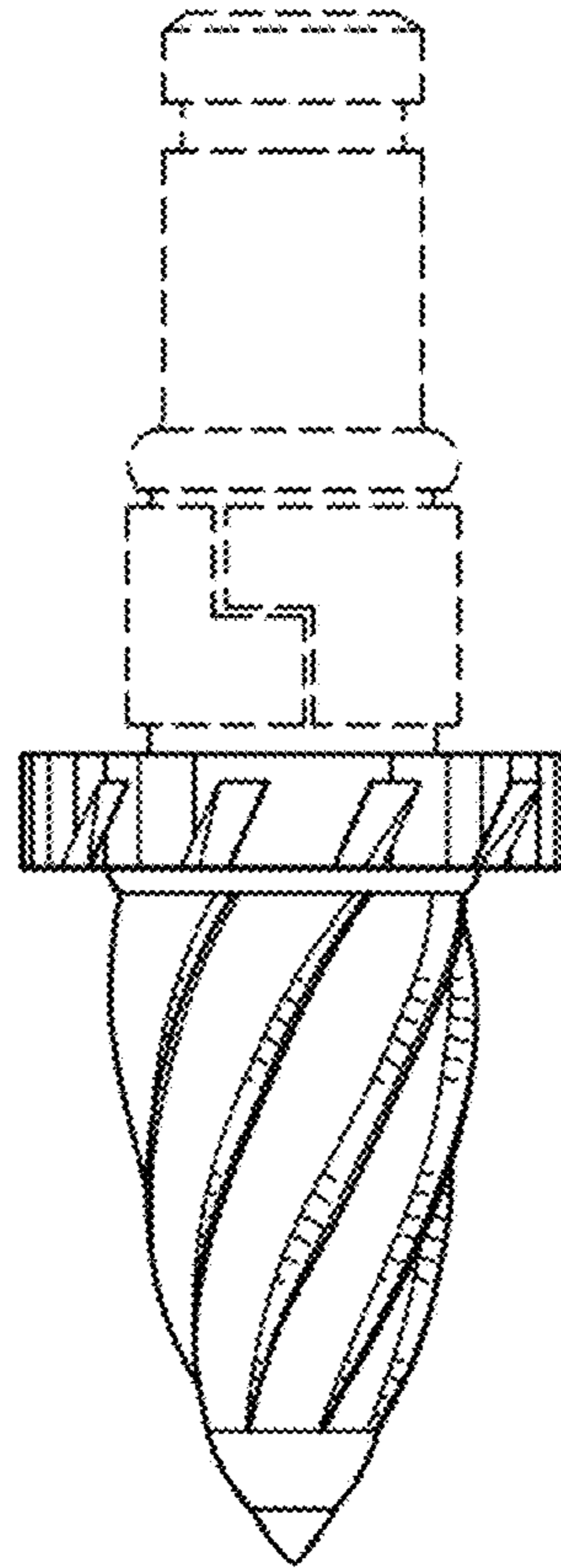


FIG. 2

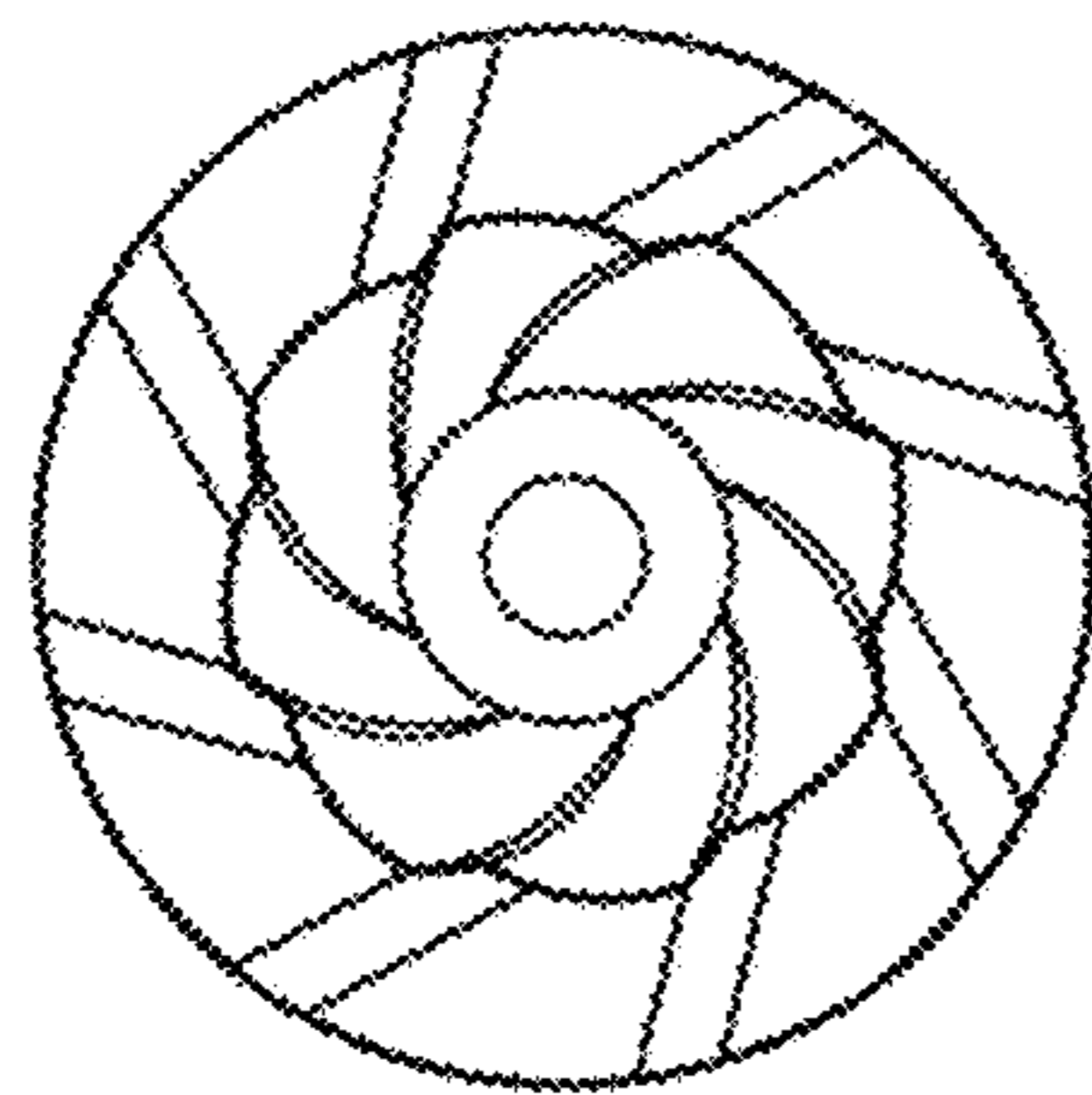


FIG. 3

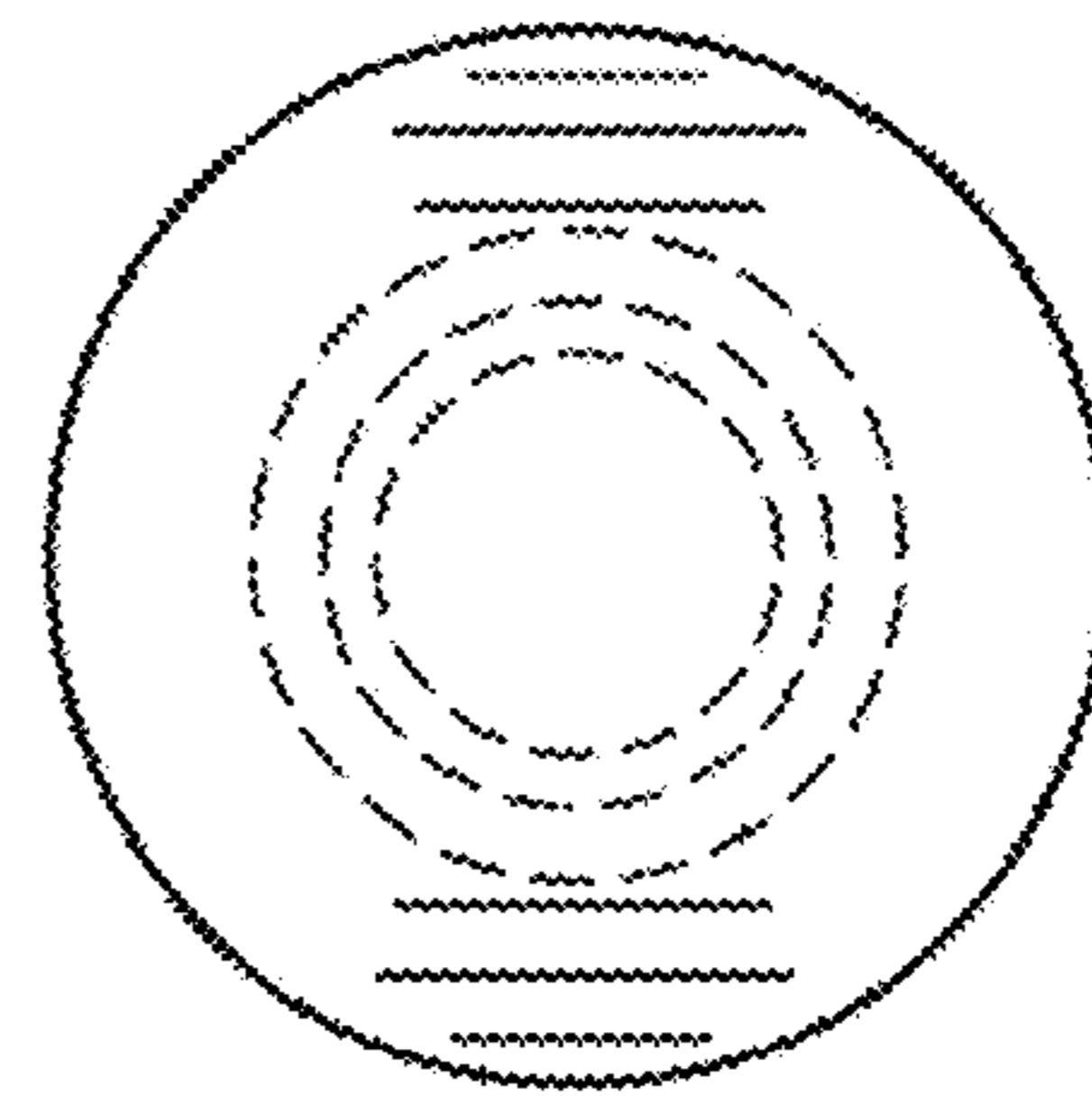


FIG. 4

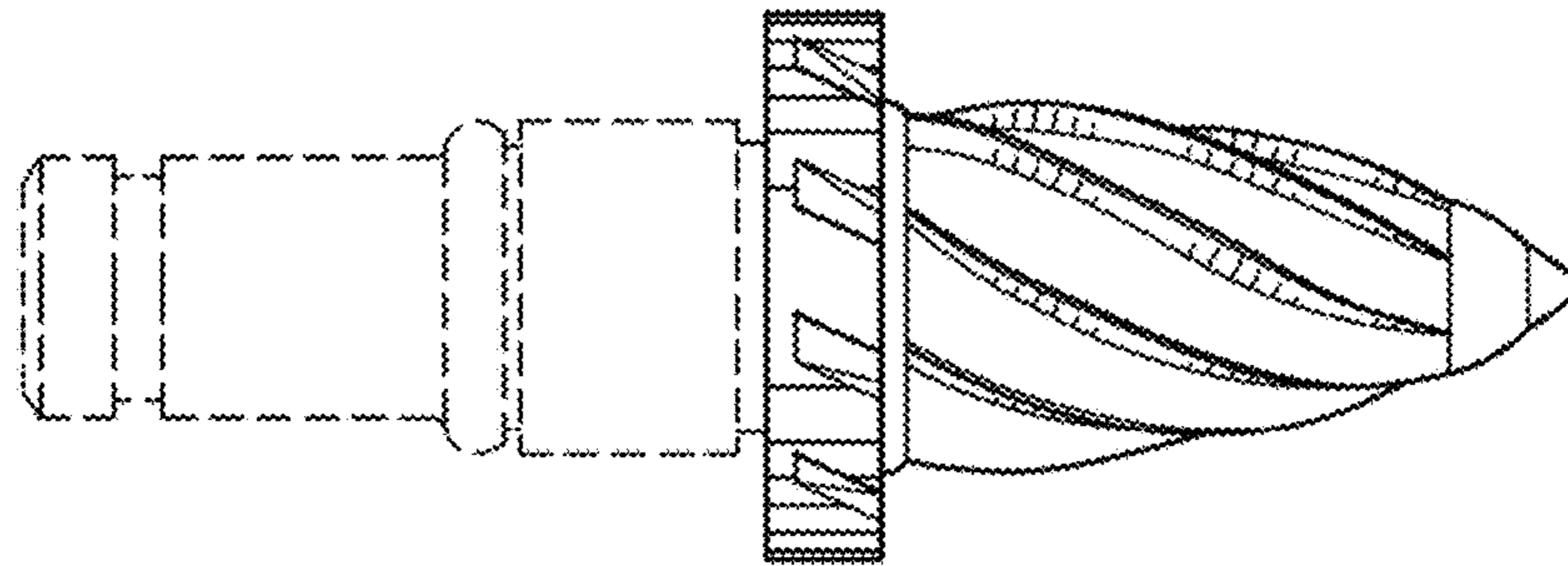


FIG. 5

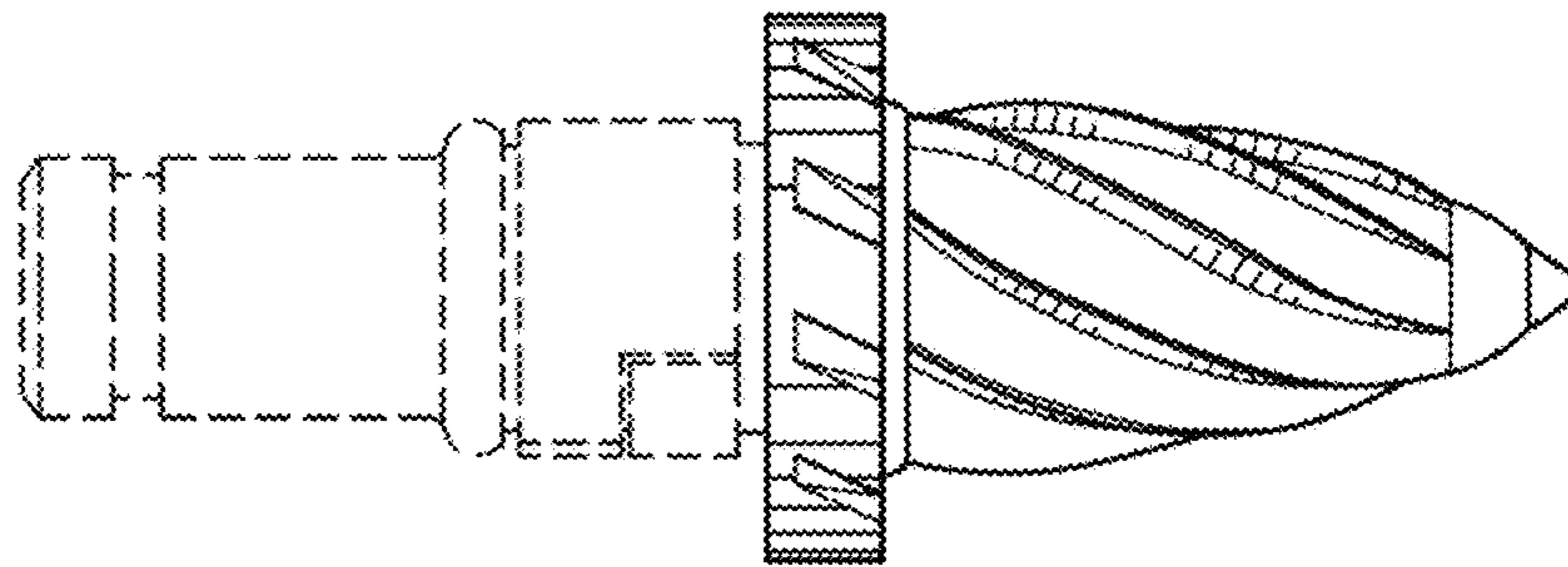


FIG. 6

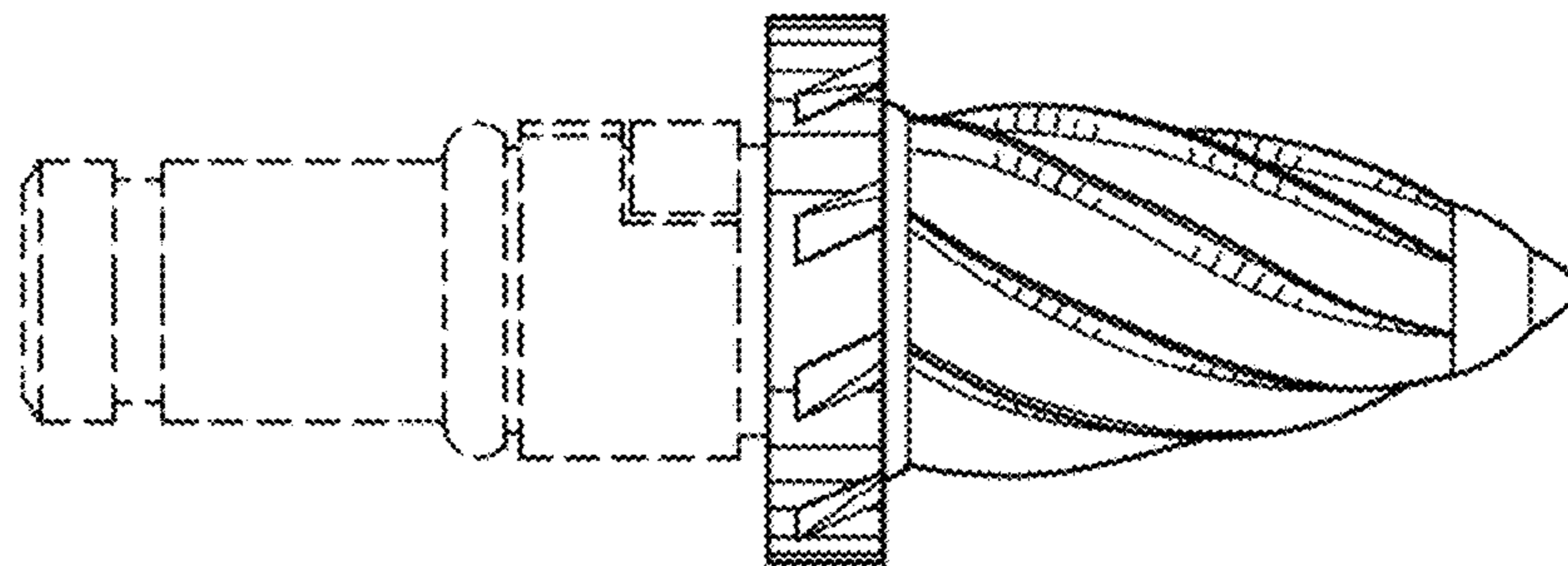


FIG. 7

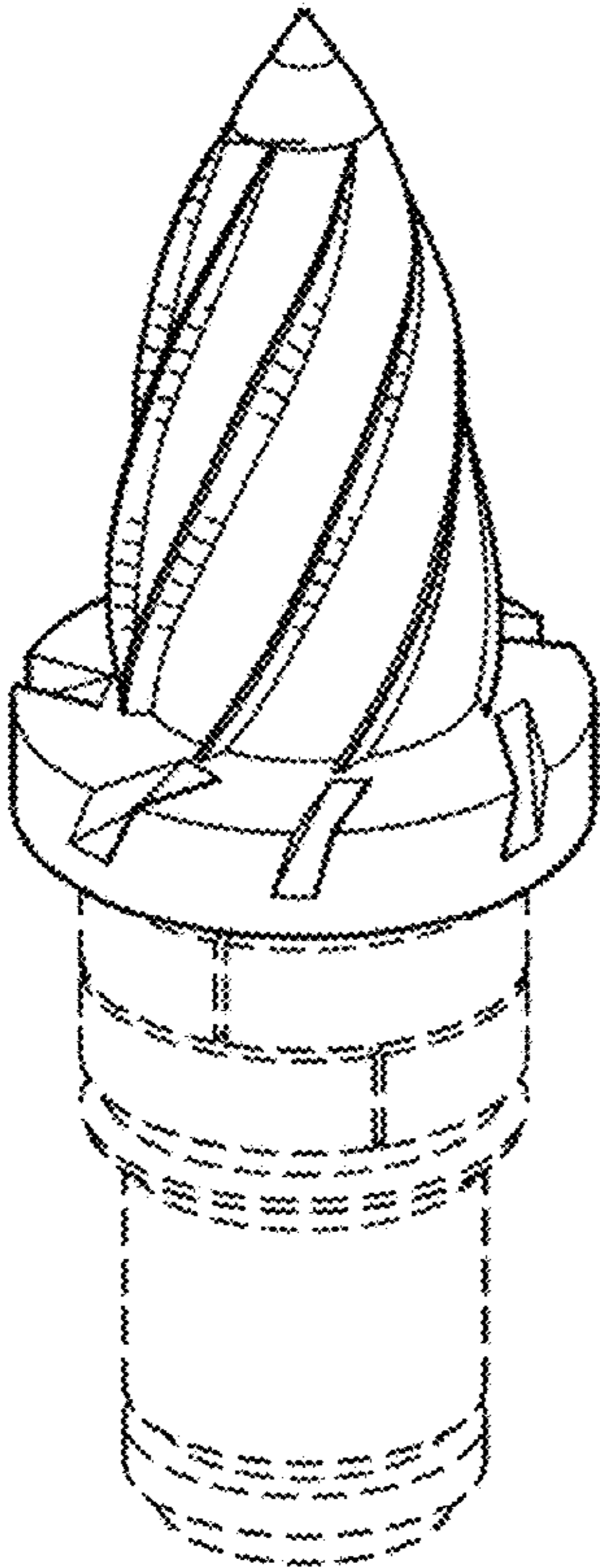


FIG. 8

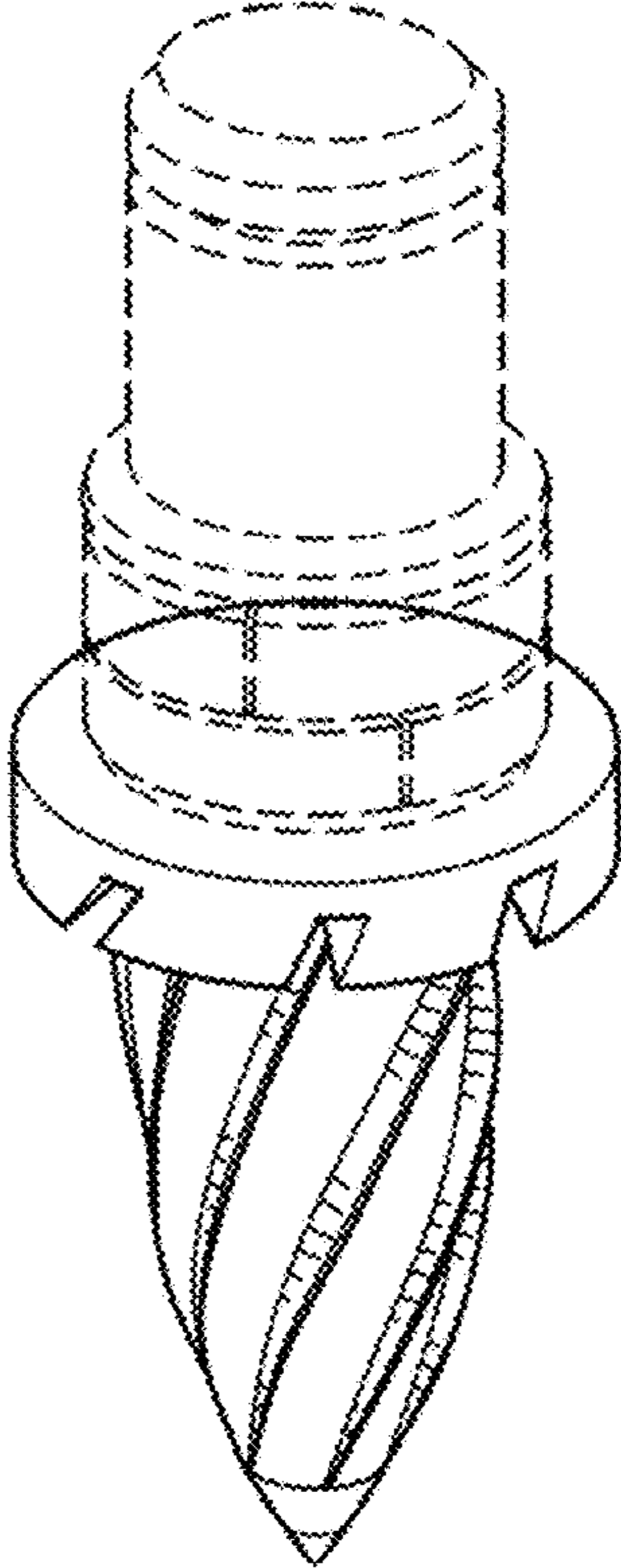


FIG. 9