



US00D824434S

(12) **United States Design Patent**
Scholey et al.

(10) **Patent No.:** **US D824,434 S**

(45) **Date of Patent:** **** Jul. 31, 2018**

(54) **BODYMAKER FORWARD ASSEMBLY**

D546,847 S * 7/2007 Teng D15/135
D546,848 S * 7/2007 Teng D15/135
D809,028 S * 1/2018 Imahase D15/135

(71) Applicant: **Stolle Machinery Company, LLC**,
Centennial, CO (US)

* cited by examiner

(72) Inventors: **Ian Kenneth Scholey**, Lone Tree, CO
(US); **Karl S. Fleischer**, Denver, CO
(US); **Alan W. Cleveland**, Firestone,
CO (US)

Primary Examiner — Ian Simmons

Assistant Examiner — Khawaja Anwar

(74) *Attorney, Agent, or Firm* — Eckert Seamans Cherin
& Mellott, LLC; David C. Jenkins

(73) Assignee: **Stolle Machinery Company, LLC**,
Centennial, CO (US)

(57) **CLAIM**

(**) Term: **15 Years**

The ornamental design for a bodymaker forward assembly,
as shown and described.

(21) Appl. No.: **29/601,641**

DESCRIPTION

(22) Filed: **Apr. 25, 2017**

(51) **LOC (11) Cl.** **15-03**

(52) **U.S. Cl.**
USPC **D15/135**

(58) **Field of Classification Search**
USPC D15/135, 136, 138, 141, 145; D8/71, 72,
D8/73, 74; D34/28, 29
CPC ... B22C 9/03; B29C 45/0013; B29C 47/0014;
B29C 47/54; B29C 47/82; B29C 47/822;
B29C 47/8805; B29C 55/005; B65G
2207/30; B65G 54/02
See application file for complete search history.

FIG. 1 is an isometric view of a bodymaker forward assembly;
FIG. 2 is another isometric view of the bodymaker forward
assembly;
FIG. 3 is another isometric view of the bodymaker forward
assembly;
FIG. 4 is another isometric view of the bodymaker forward
assembly;
FIG. 5 is a front view of the bodymaker forward assembly;
FIG. 6 is a right view of the bodymaker forward assembly;
FIG. 7 is a back view of the body maker forward assembly;
FIG. 8 is a left view of the bodymaker forward assembly;
FIG. 9 is a top view of the bodymaker forward assembly;
and,
FIG. 10 is a bottom view of the bodymaker forward assembly.

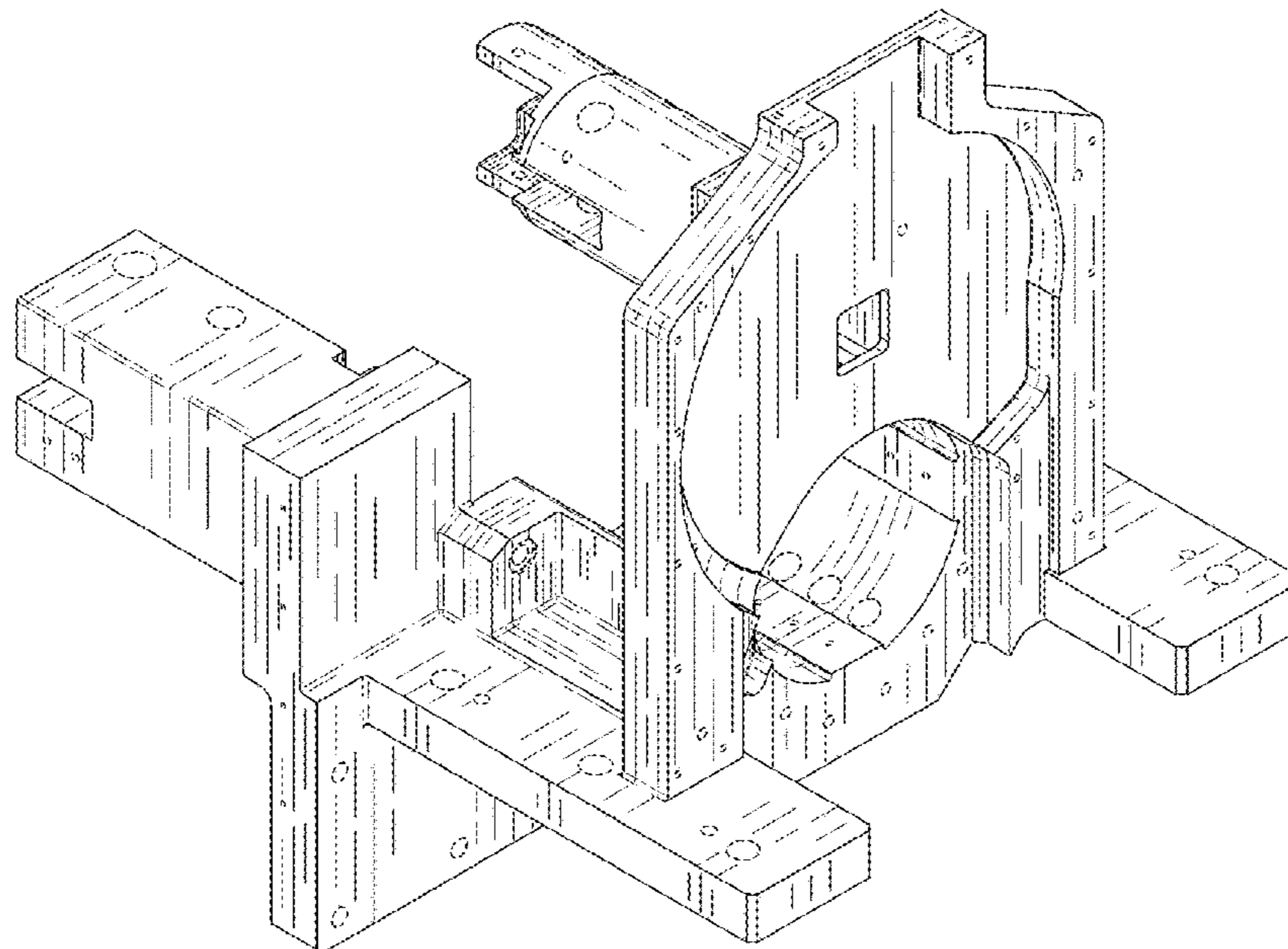
The broken lines in the drawings depict environmental
subject matter only and form no part of the claimed design.

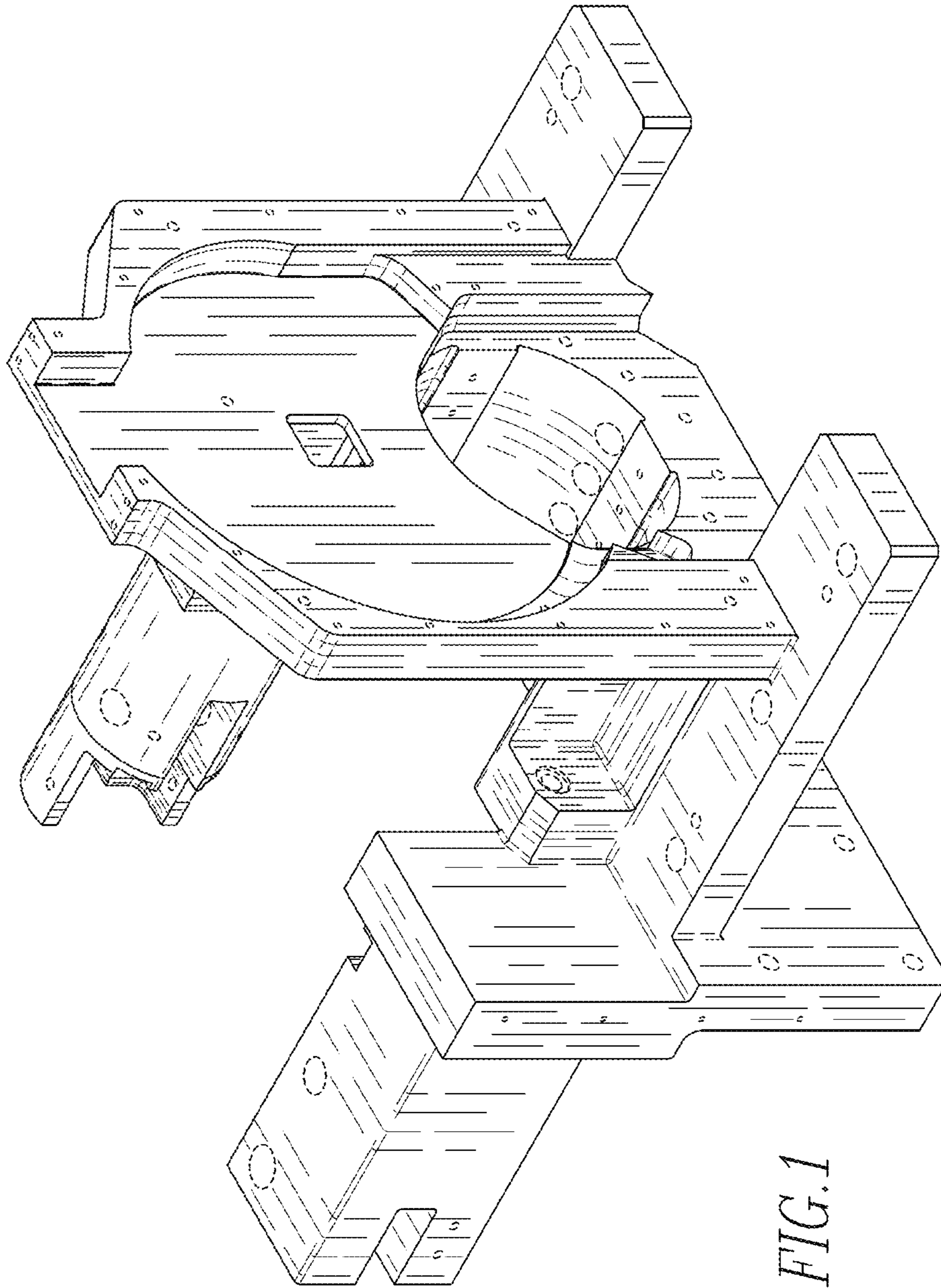
(56) **References Cited**

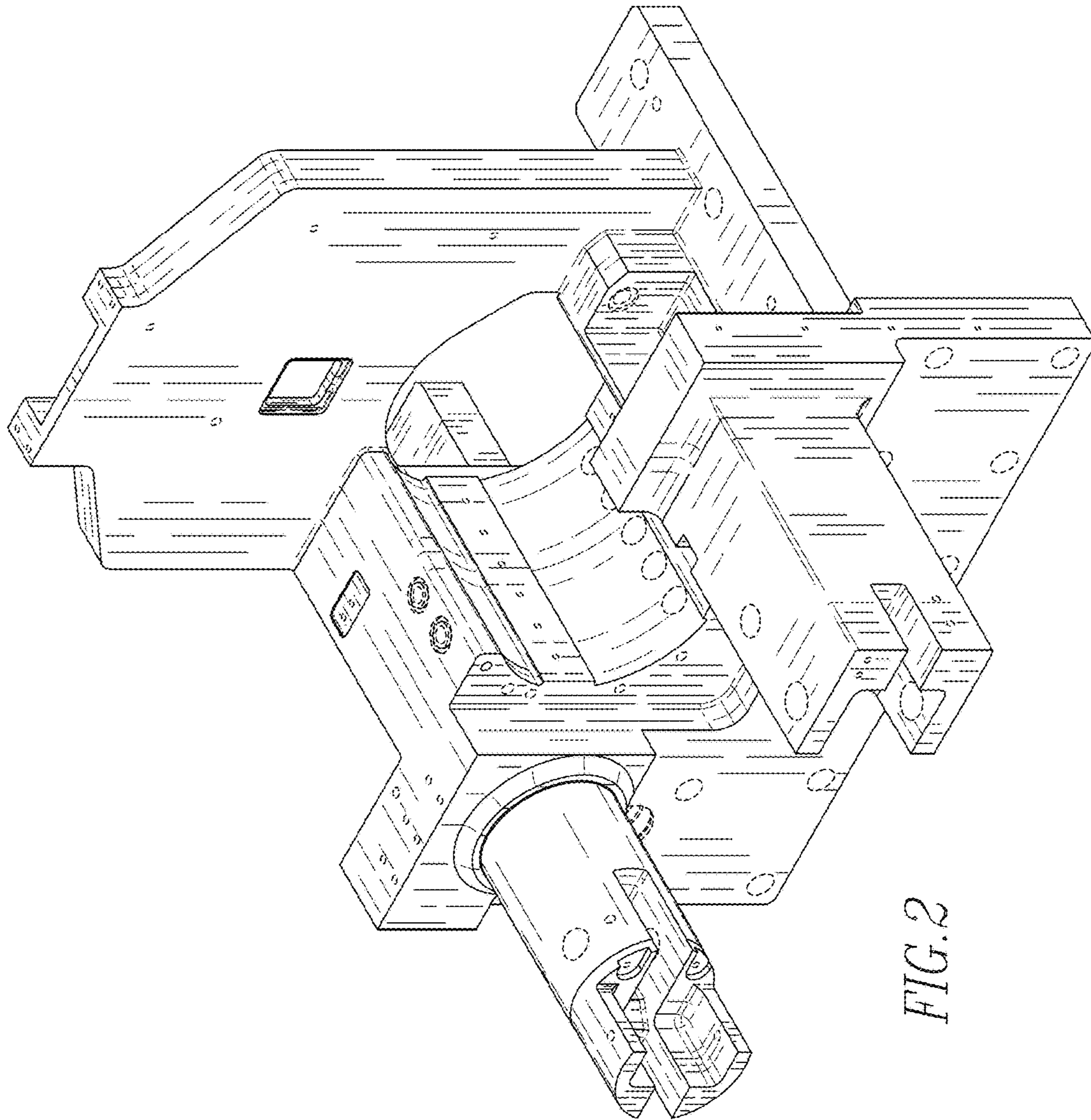
U.S. PATENT DOCUMENTS

D152,435 S * 1/1949 Reimers D15/135
D341,602 S * 11/1993 Faig D15/135
D472,566 S * 4/2003 Okada D15/135

1 Claim, 10 Drawing Sheets







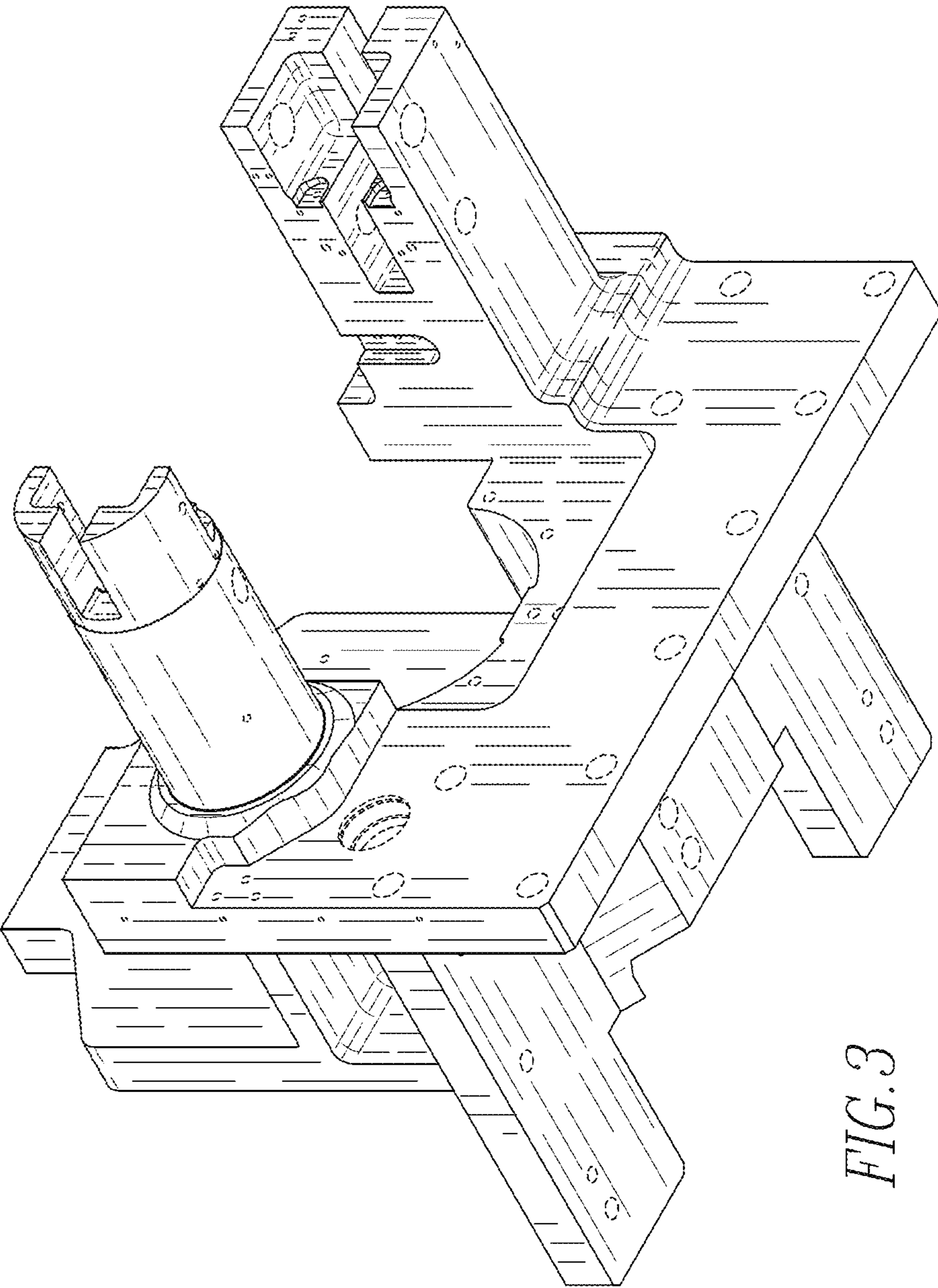


FIG. 3

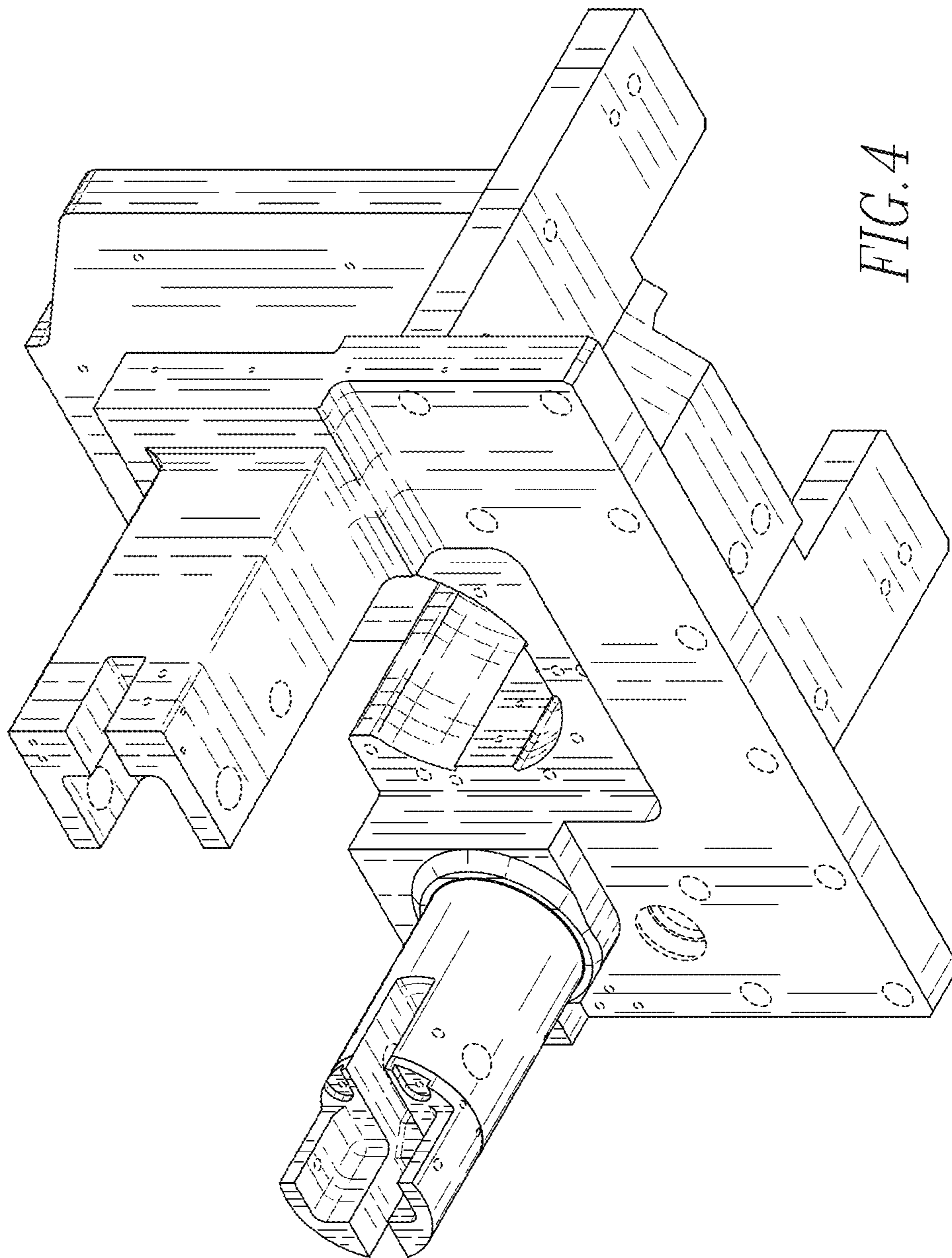


FIG. 4

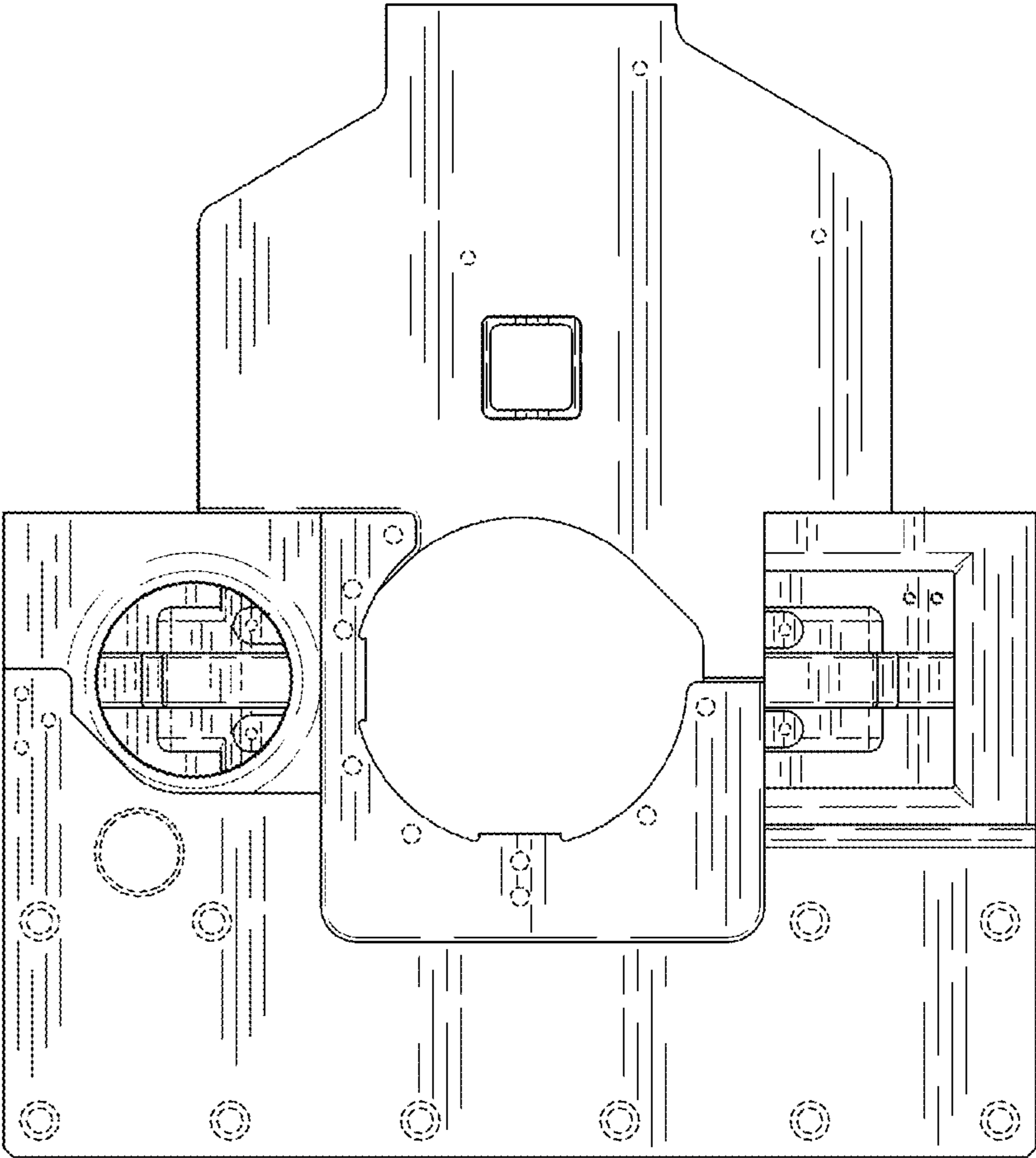


FIG. 5

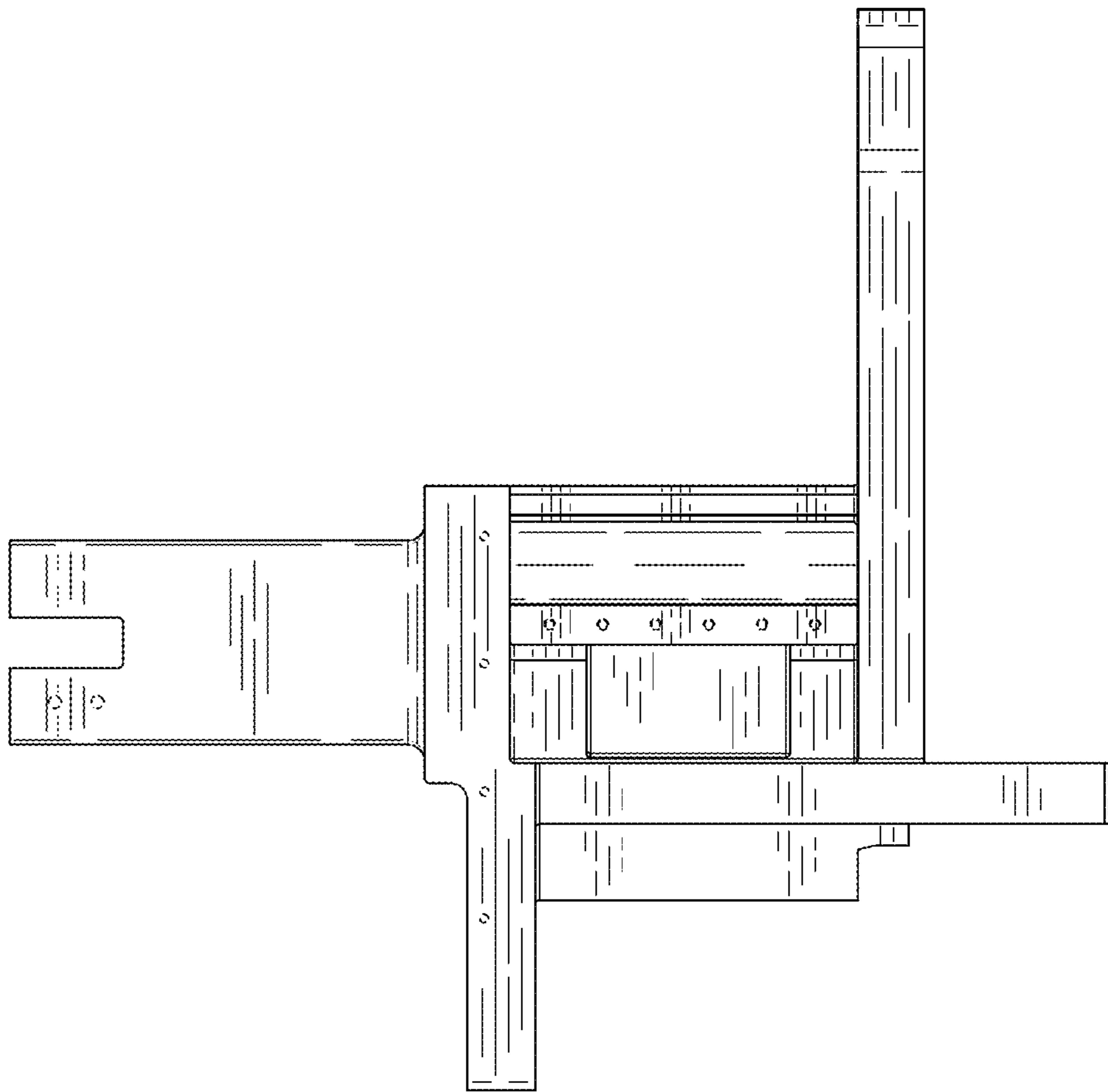


FIG. 6

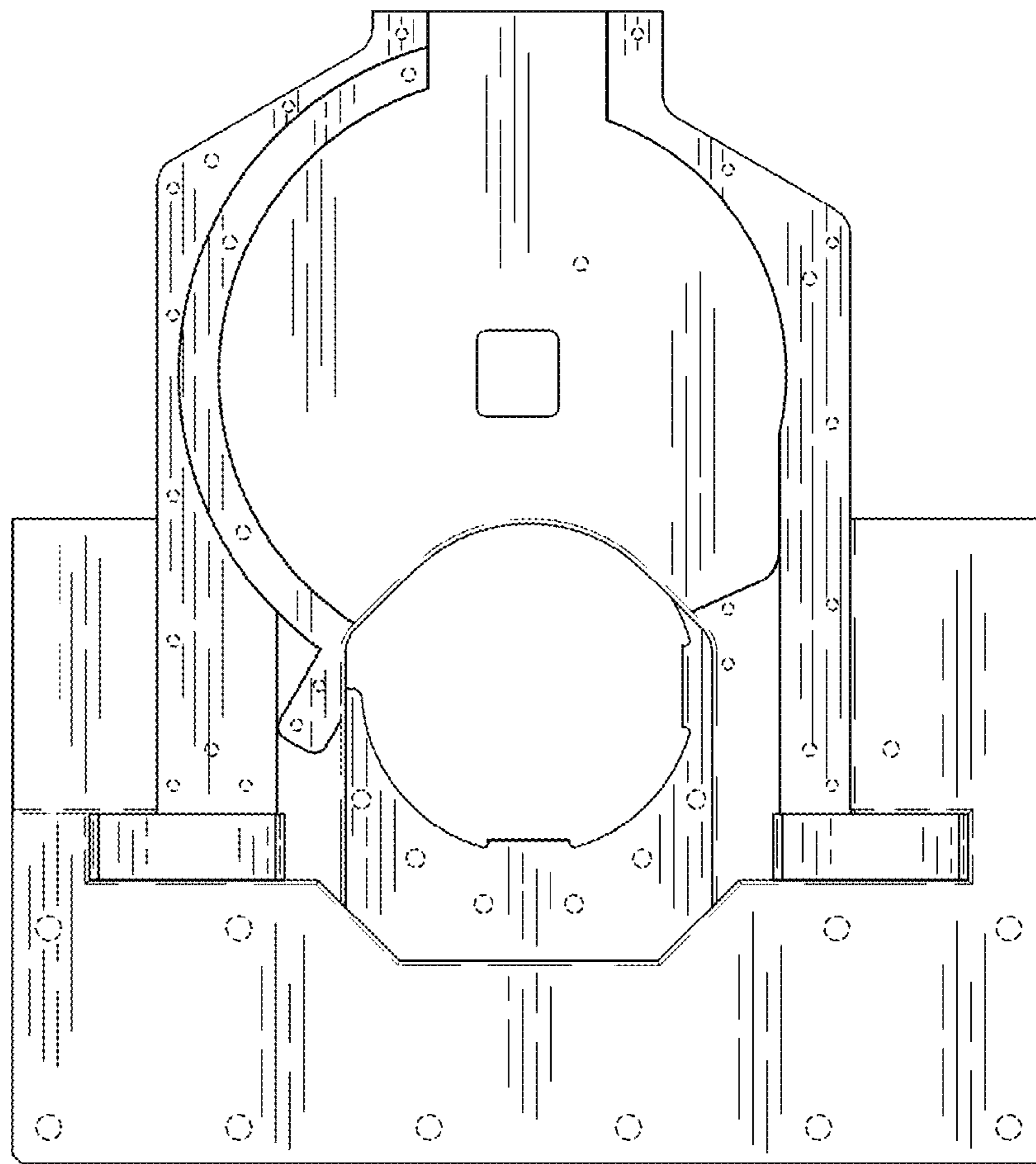


FIG. 7

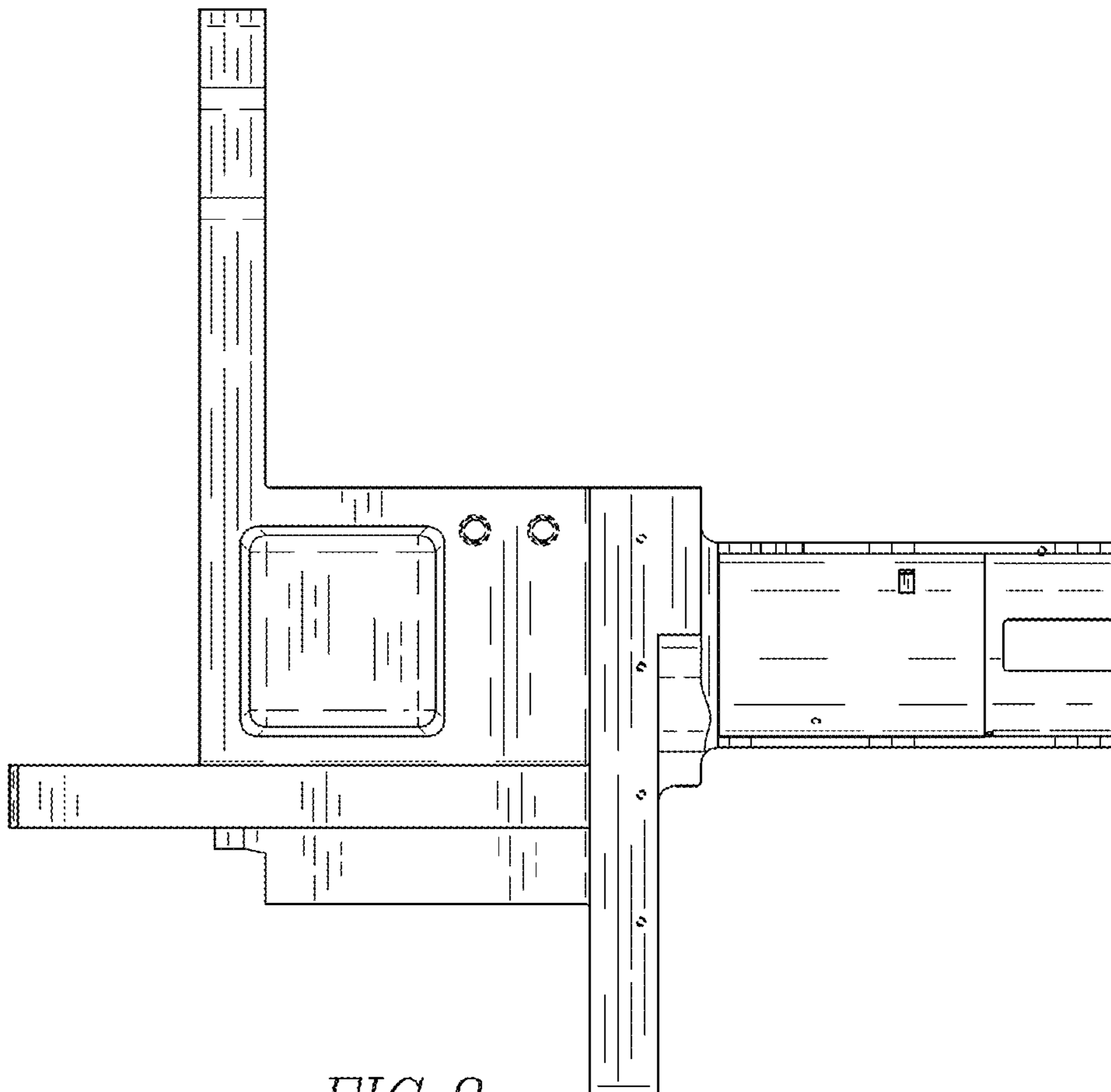


FIG. 8

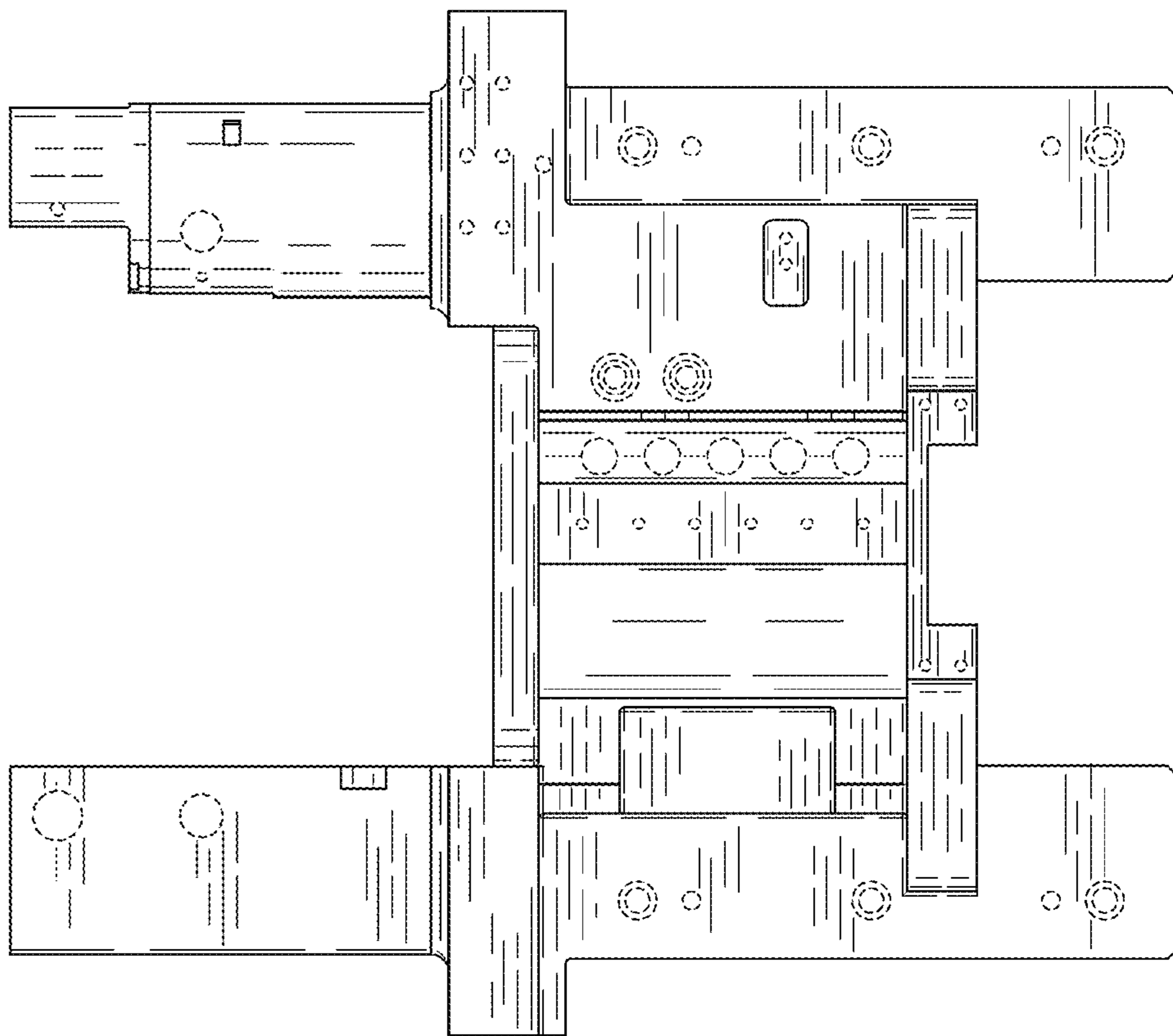


FIG. 9

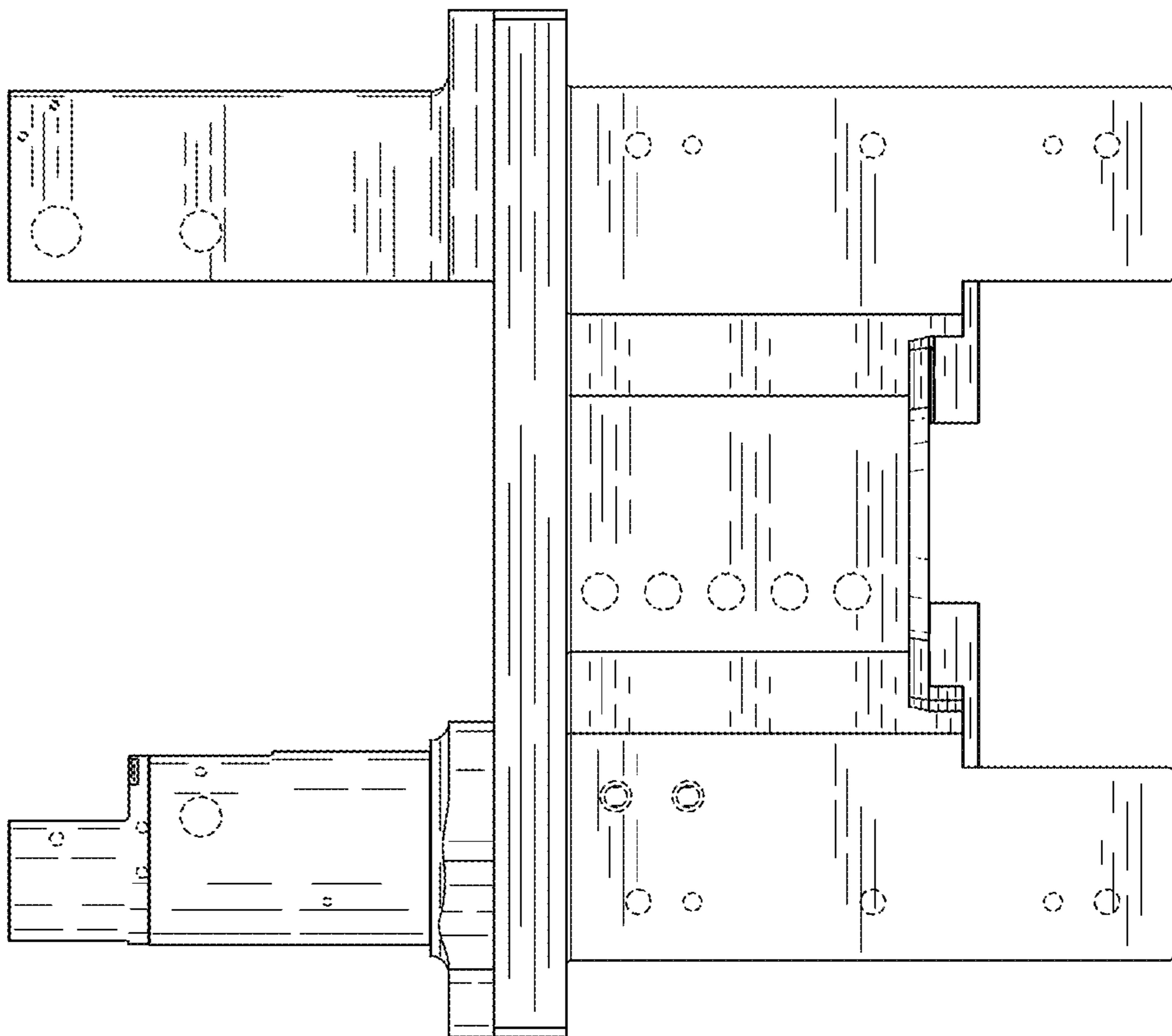


FIG. 10