



US00D824432S

(12) **United States Design Patent**
Werner

(10) **Patent No.:** **US D824,432 S**
(45) **Date of Patent:** **** Jul. 31, 2018**

- (54) **LOG SPLITTER BEAM**
- (71) Applicant: **Tom Werner**, Mundelein, IL (US)
- (72) Inventor: **Tom Werner**, Mundelein, IL (US)
- (73) Assignee: **YARDMAX POWER PRODUCTS INC.**, Libertyville, IL (US)
- (**) Term: **15 Years**
- (21) Appl. No.: **29/558,790**
- (22) Filed: **Mar. 22, 2016**
- (51) **LOC (11) Cl.** **15-09**
- (52) **U.S. Cl.**
USPC **D15/127**
- (58) **Field of Classification Search**
USPC D15/7, 9, 10, 13, 17, 27, 28, 122, 123,
D15/124, 125, 126, 127, 128, 129, 138,
D15/139, 140, 141, 199
CPC B25D 3/00; B25D 17/02; B25D 2250/111;
B25D 2211/003; B25D 16/00; E21B
10/52; E21B 10/16; E21B 10/567; C03B
23/047; C03B 23/0496
See application file for complete search history.

(56) **References Cited**

U.S. PATENT DOCUMENTS

- 4,066,110 A * 1/1978 Sarno B23K 37/0538
144/195.1
- 4,103,724 A * 8/1978 Braid B27L 7/00
144/195.1
- 4,353,401 A * 10/1982 Schilling B27L 7/00
144/193.2
- 4,411,298 A * 10/1983 Ellingsen B27L 7/00
144/195.1
- 4,412,570 A * 11/1983 Nickerson B27L 7/00
144/195.1
- D326,665 S * 6/1992 Greenburg D15/127
- 5,526,855 A * 6/1996 Graham B27L 7/00
108/12
- D509,231 S * 9/2005 Hickenbottom D15/127

- D528,570 S * 9/2006 Lewis D15/127
 - D544,505 S * 6/2007 VanderBurgh D15/127
 - D585,915 S * 2/2009 Feng D15/127
 - D617,354 S * 6/2010 Banjo D15/127
- (Continued)

OTHER PUBLICATIONS

<https://www.amazon.com/YARDMAX-YS2865-Splitter-Briggs-Stratton/dp/B01LB2E0RE>—Earliest product review date of Dec. 29, 2016.*

(Continued)

Primary Examiner — Manpreet S Matharu
Assistant Examiner — Mojtaba Tehrani
(74) *Attorney, Agent, or Firm* — Raj Abhyanker, P.C.

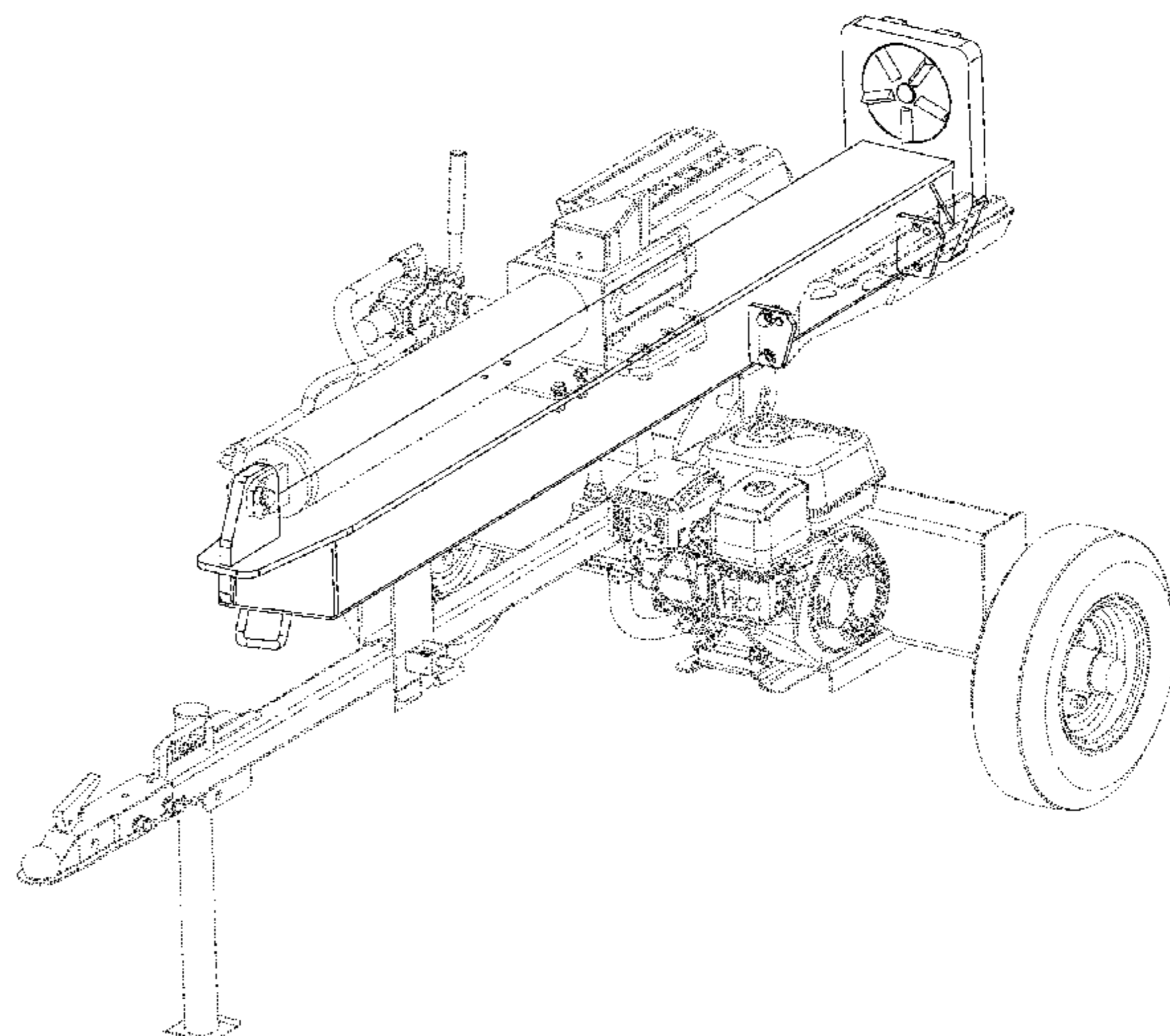
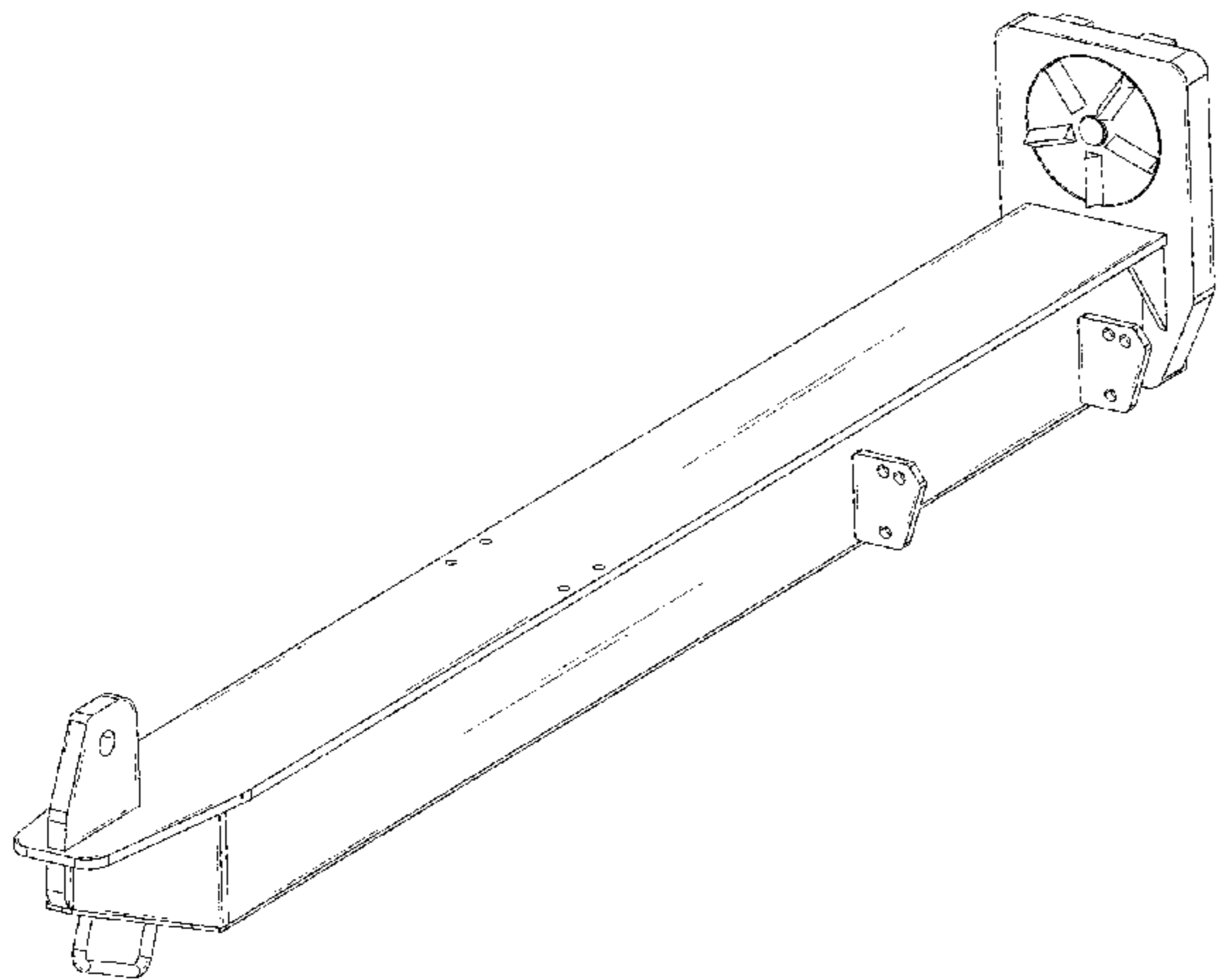
(57) **CLAIM**

The ornamental design for a log splitter beam, as shown and described.

DESCRIPTION

FIG. 1 is a right-front perspective view for a log splitter beam, showing my new design;
 FIG. 2 is a front elevational view thereof;
 FIG. 3 is a rear elevational view thereof;
 FIG. 4 is a left side elevational view thereof;
 FIG. 5 is a right side elevational view thereof;
 FIG. 6 is a top plan view thereof;
 FIG. 7 is a bottom plan view thereof;
 FIG. 8 is a right-front perspective view in one possible embodiment thereof;
 FIG. 9 is an enlarged view of FIG. 2 thereof; and,
 FIG. 10 is an enlarged view of FIG. 3 thereof.
 The broken lines in FIG. 8 are directed to environmental structure and are for illustrative purposes only and form no part of the claimed design.
 The broken lines in FIGS. 3, 7, and 10 indicate unclaimed portions of the design and form no part of the claimed design.

1 Claim, 6 Drawing Sheets



(56)

References Cited

U.S. PATENT DOCUMENTS

D648,761	S *	11/2011	Banjo	D15/127
D652,065	S *	1/2012	Lu	D15/127
D681,701	S *	5/2013	Banjo	D15/127
D709,932	S *	7/2014	Schuetz	D15/127
9,381,668	B2 *	7/2016	Banjo	B27L 7/06
2005/0284541	A1 *	12/2005	Walker	B27L 7/00
					144/193.2
2006/0144468	A1 *	7/2006	Lewis	B27L 7/00
					144/193.2
2007/0000975	A1 *	1/2007	Paradise	B27L 7/00
					228/182
2009/0242078	A1 *	10/2009	Schamberger	B27L 7/00
					144/195.1
2014/0124097	A1 *	5/2014	Banjo	B27L 7/06
					144/193.1
2016/0303760	A1 *	10/2016	Manchik	B27L 7/00
2017/0144326	A1 *	5/2017	Hu	B27L 7/06
2017/0210271	A1 *	7/2017	Banjo	B62D 63/061

OTHER PUBLICATIONS

<http://onthehouse.com/yardmax-35-ton-full-beam-gas-log-split-ter>—Pulished Dec. 21, 2016.*
<http://bigr.cachefly.net/getDynamicImage.aspx?path=239442.jpg>.

* cited by examiner

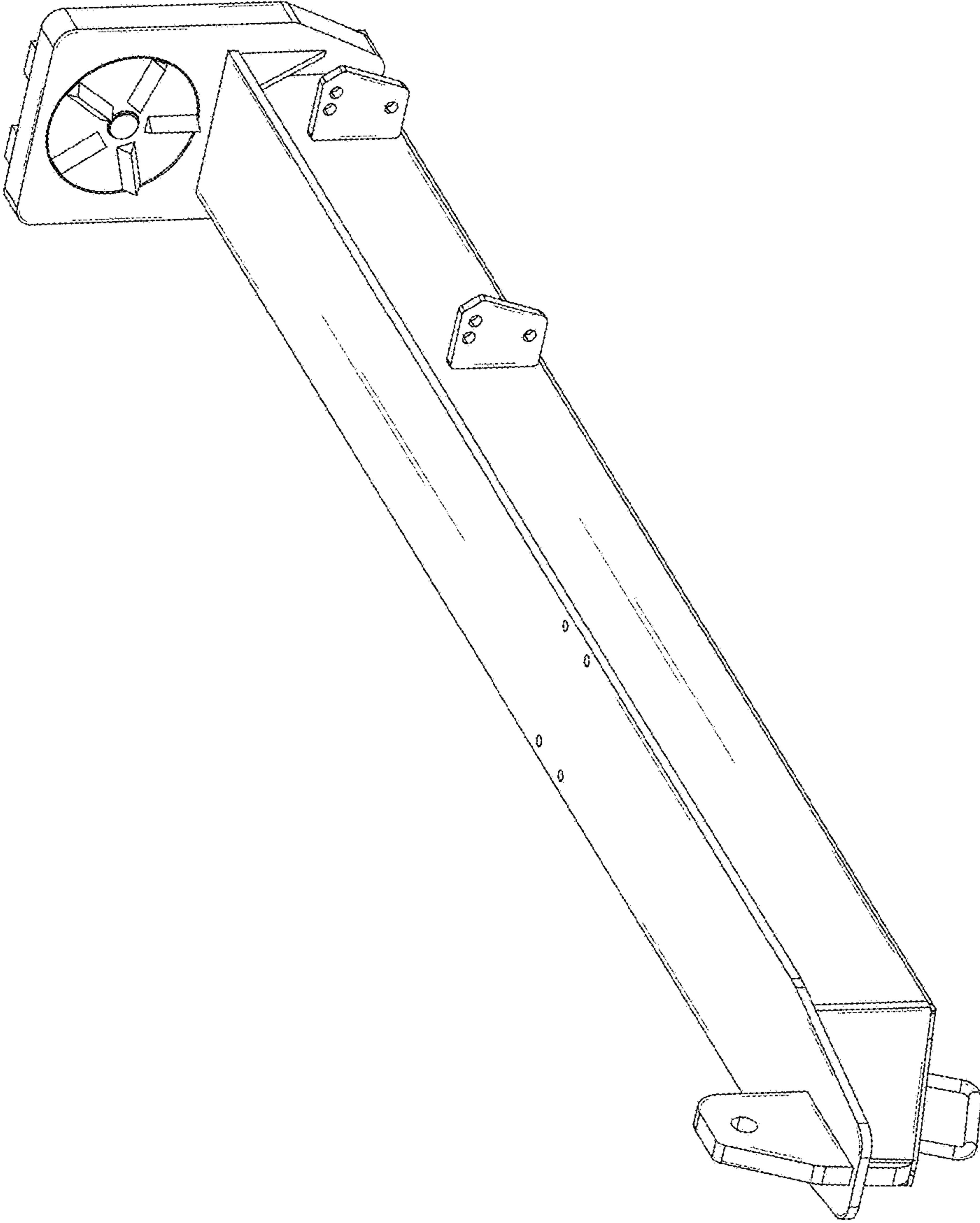


FIG. 1

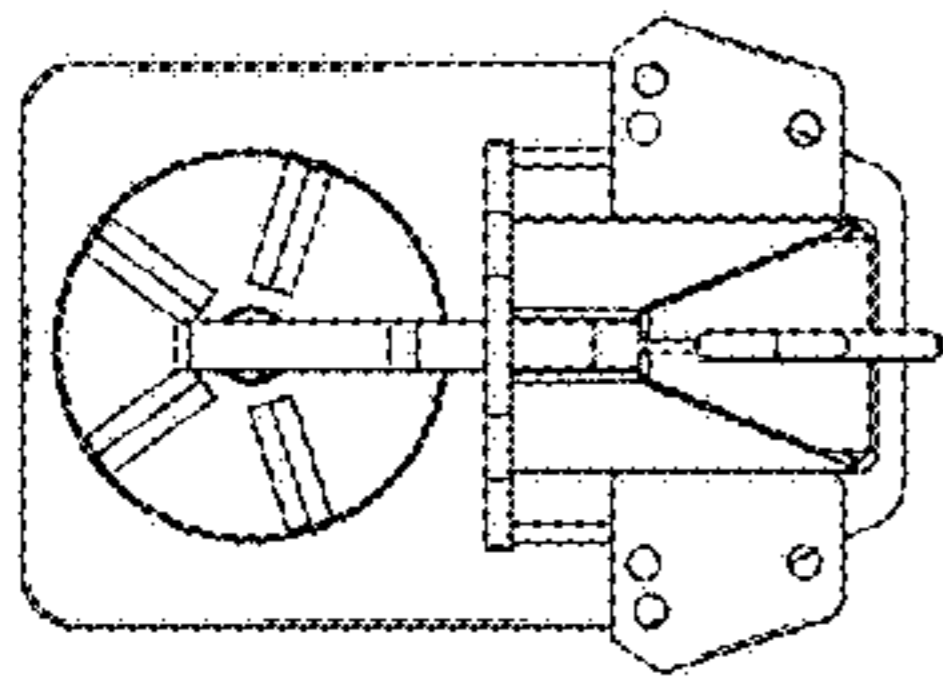


FIG. 2

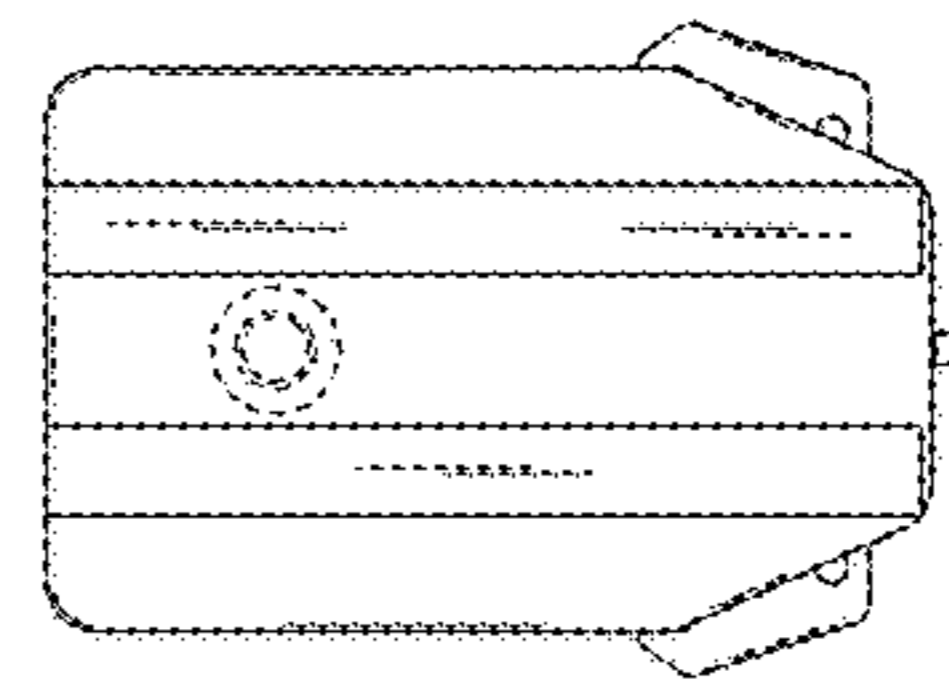


FIG. 3

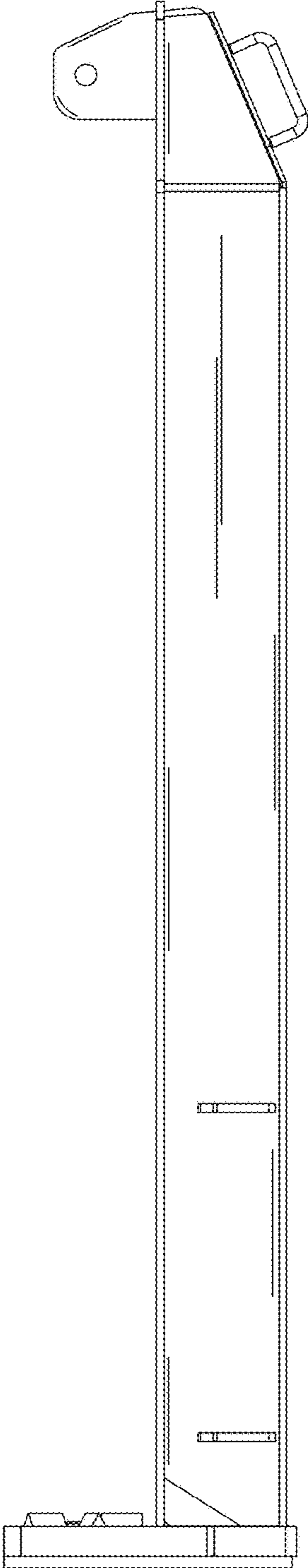


FIG. 4

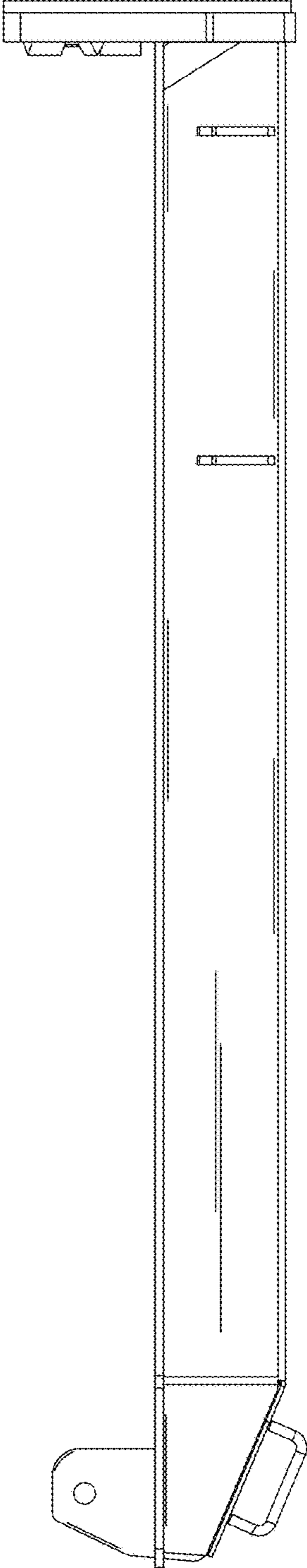


FIG. 5

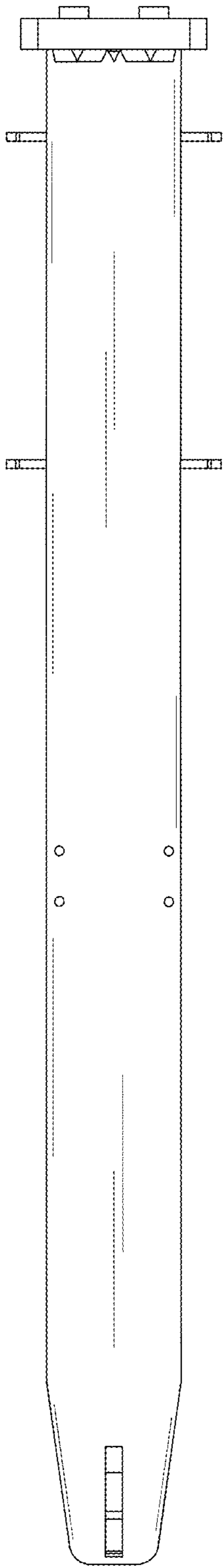


FIG. 6

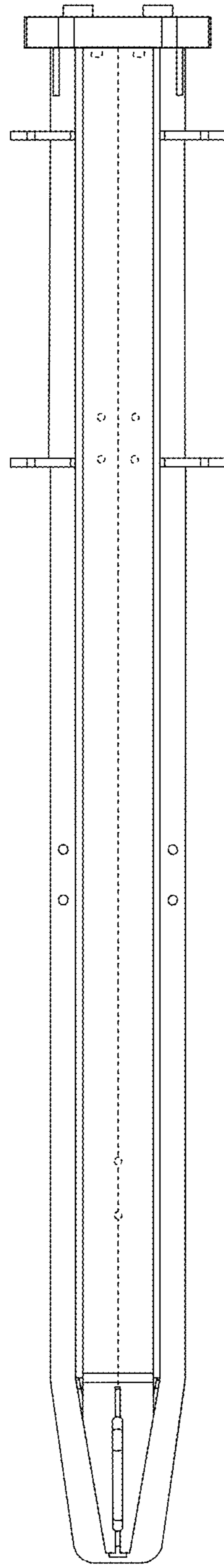


FIG. 7

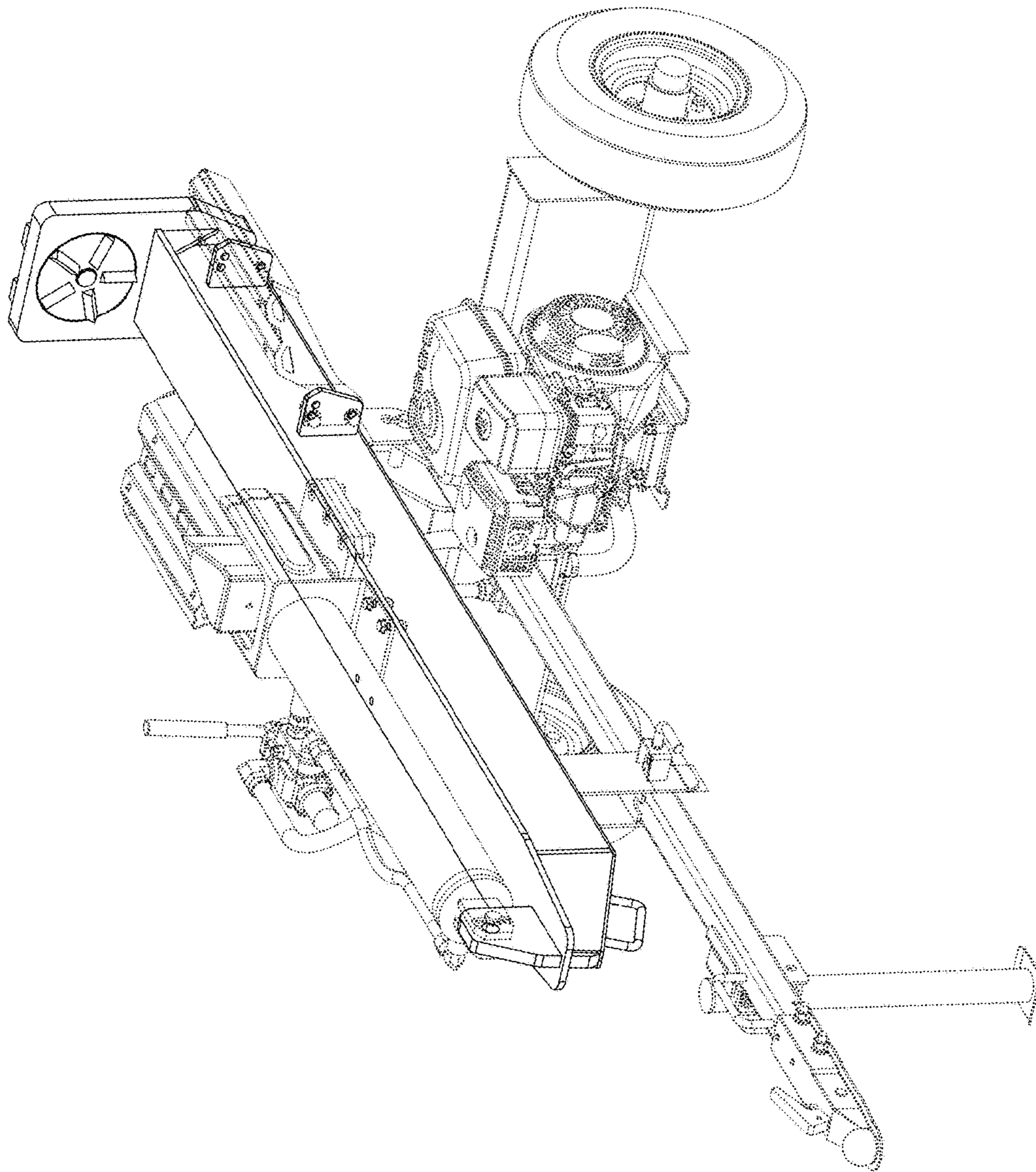


FIG. 8

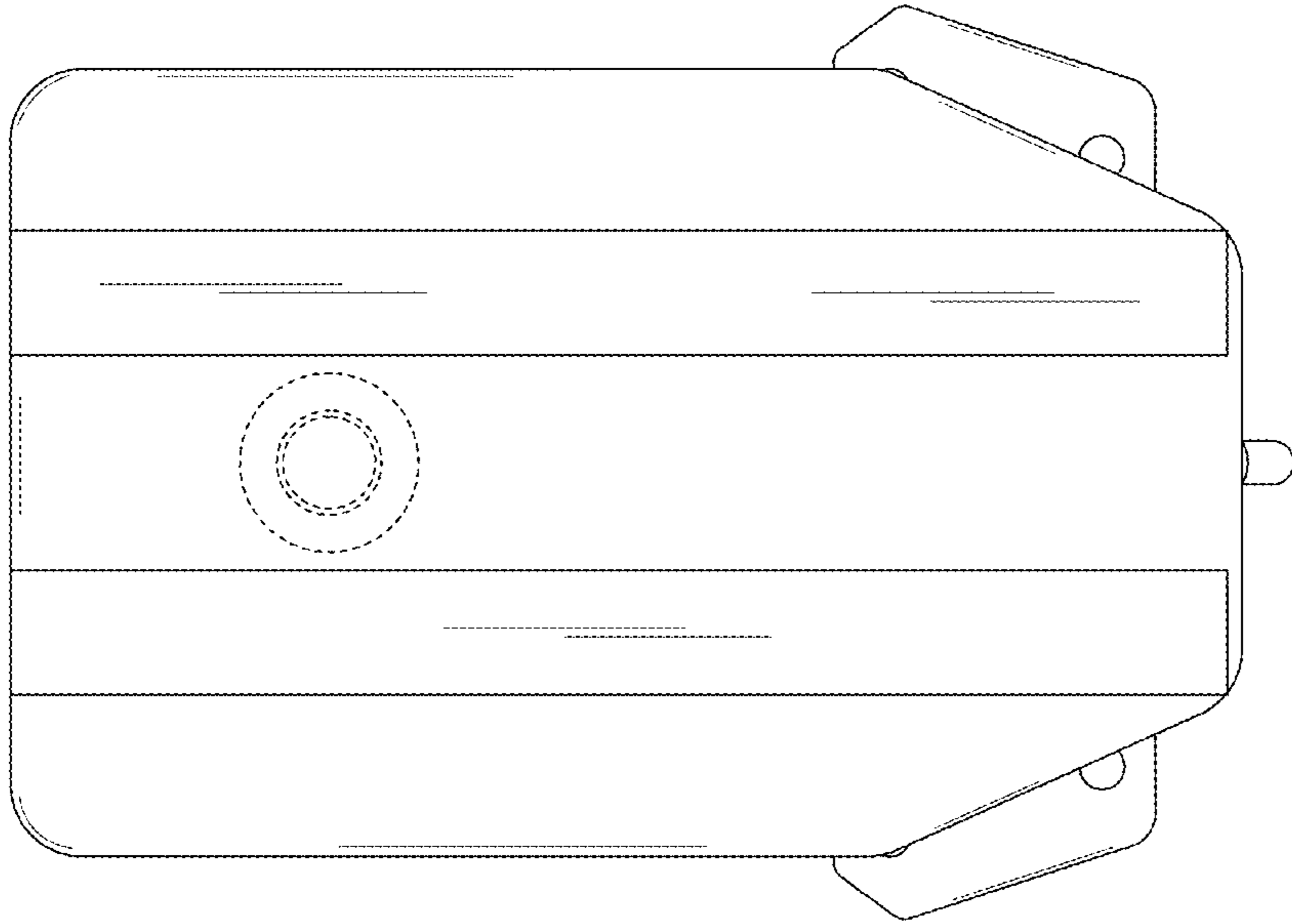


FIG. 10

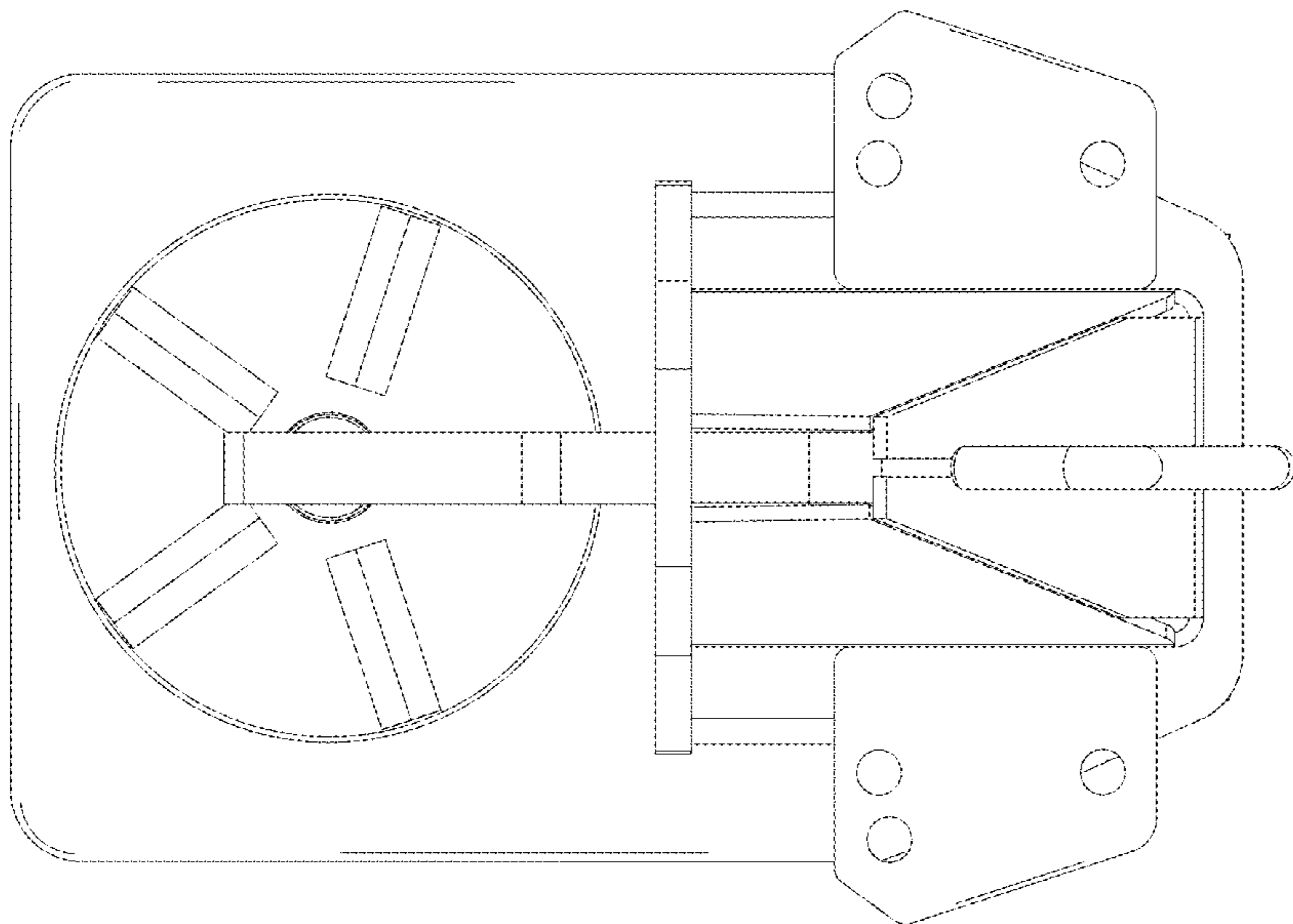


FIG. 9