



US00D824430S

(12) **United States Design Patent**
Sivinski et al.

(10) **Patent No.:** **US D824,430 S**

(45) **Date of Patent:** **** Jul. 31, 2018**

(54) **MOUNT BRACKET ASSEMBLY FOR AGRICULTURAL ROW UNIT**

D709,529 S * 7/2014 Hutchinson D15/28
D709,530 S * 7/2014 Hutchinson D15/28
D782,545 S * 3/2017 Forth D15/28
D807,405 S * 1/2018 Shirai D15/28

(71) Applicant: **HARVEST INTERNATIONAL, INC.**,
Storm Lake, IA (US)

* cited by examiner

(72) Inventors: **Jeffrey Alan Sivinski**, Cherokee, IA
(US); **Byron James Friesen**, Storm
Lake, IA (US); **Adam Allen Olson**,
Storm Lake, IA (US)

Primary Examiner — Mark Goodwin

(74) *Attorney, Agent, or Firm* — McKee, Voorhees &
Sease, PLC

(73) Assignee: **Harvest International, Inc.**, Storm
Lake, IA (US)

(57) **CLAIM**

We claim the ornamental design for a mount bracket assem-
bly for agricultural row unit, substantially as shown and
described.

(**) Term: **15 Years**

DESCRIPTION

(21) Appl. No.: **29/603,346**

FIG. 1 is a front perspective view of the mount bracket
assembly for an agricultural row unit according to the
present invention.

(22) Filed: **May 9, 2017**

FIG. 2 is a rear perspective view of the mount bracket
assembly.

(51) **LOC (11) Cl.** **15-03**

(52) **U.S. Cl.**

USPC **D15/28**

(58) **Field of Classification Search**

USPC D15/13, 21, 28; 172/311, 456

CPC A01B 73/06; A01B 73/067; A01B 73/044;

A01B 73/00; A01B 73/02; A01B 73/04

See application file for complete search history.

FIG. 3 is a front elevation view of the mount bracket
assembly.

FIG. 4 is a rear elevation view of the mount bracket
assembly.

FIG. 5 is a left side elevation view of the mount bracket
assembly.

FIG. 6 is a right side elevation view of the mount bracket
assembly.

FIG. 7 is a top plan view of the mount bracket assembly.

FIG. 8 is a bottom plan view of the mount bracket assembly;
and,

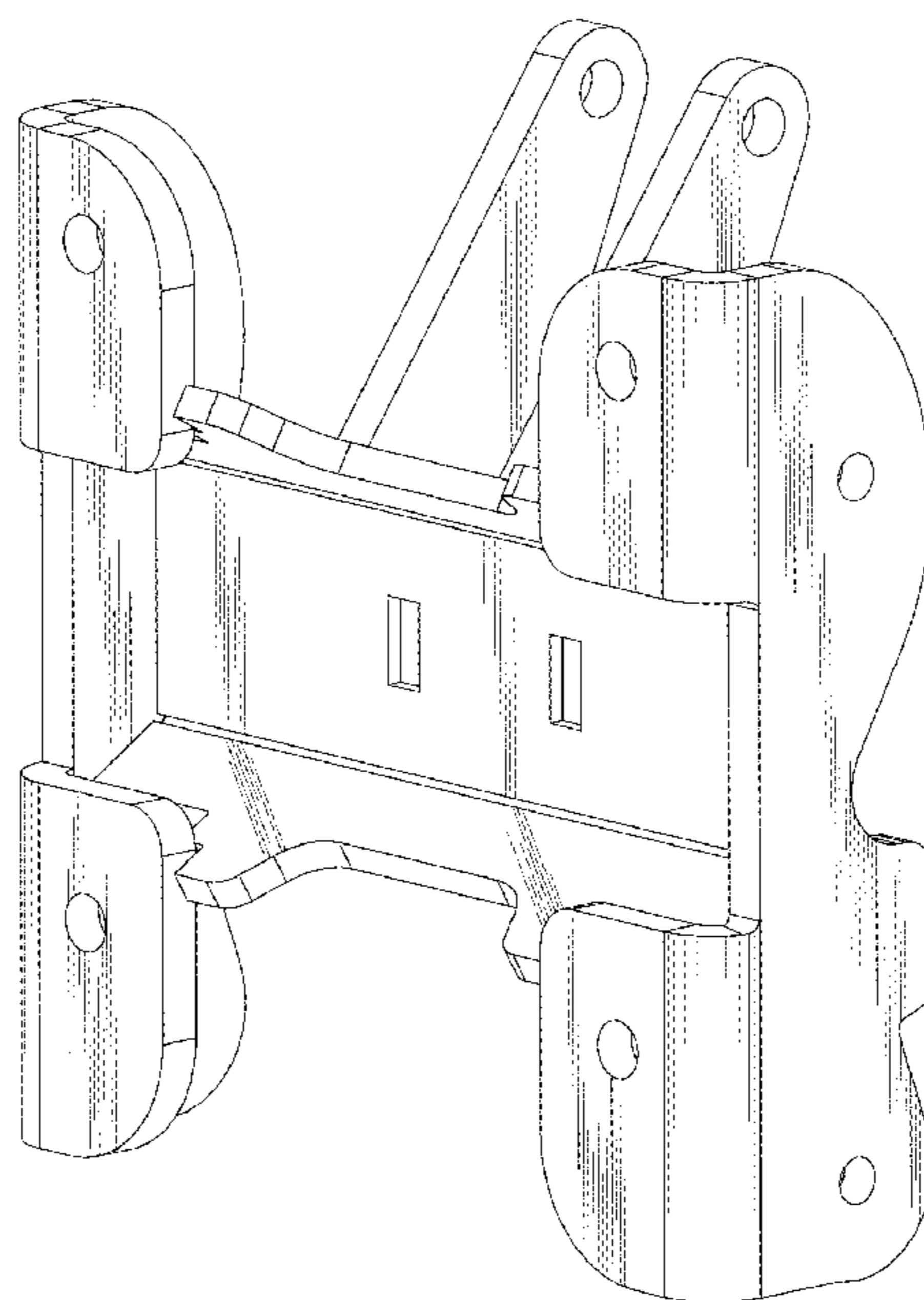
FIG. 9 is a perspective view showing the mount bracket
assembly on an agricultural row unit, with structure shown
in broken lines not being a part of the claimed invention.

(56) **References Cited**

U.S. PATENT DOCUMENTS

D272,069 S * 1/1984 Larsson D15/28
D272,070 S * 1/1984 Larsson D15/28
D272,250 S * 1/1984 Larsson D15/28
D440,983 S * 4/2001 Miller D15/28
D455,762 S * 4/2002 Kaczmarek D15/28
D458,942 S * 6/2002 Balemi D15/28
D645,061 S * 9/2011 Plummer D15/123

1 Claim, 8 Drawing Sheets



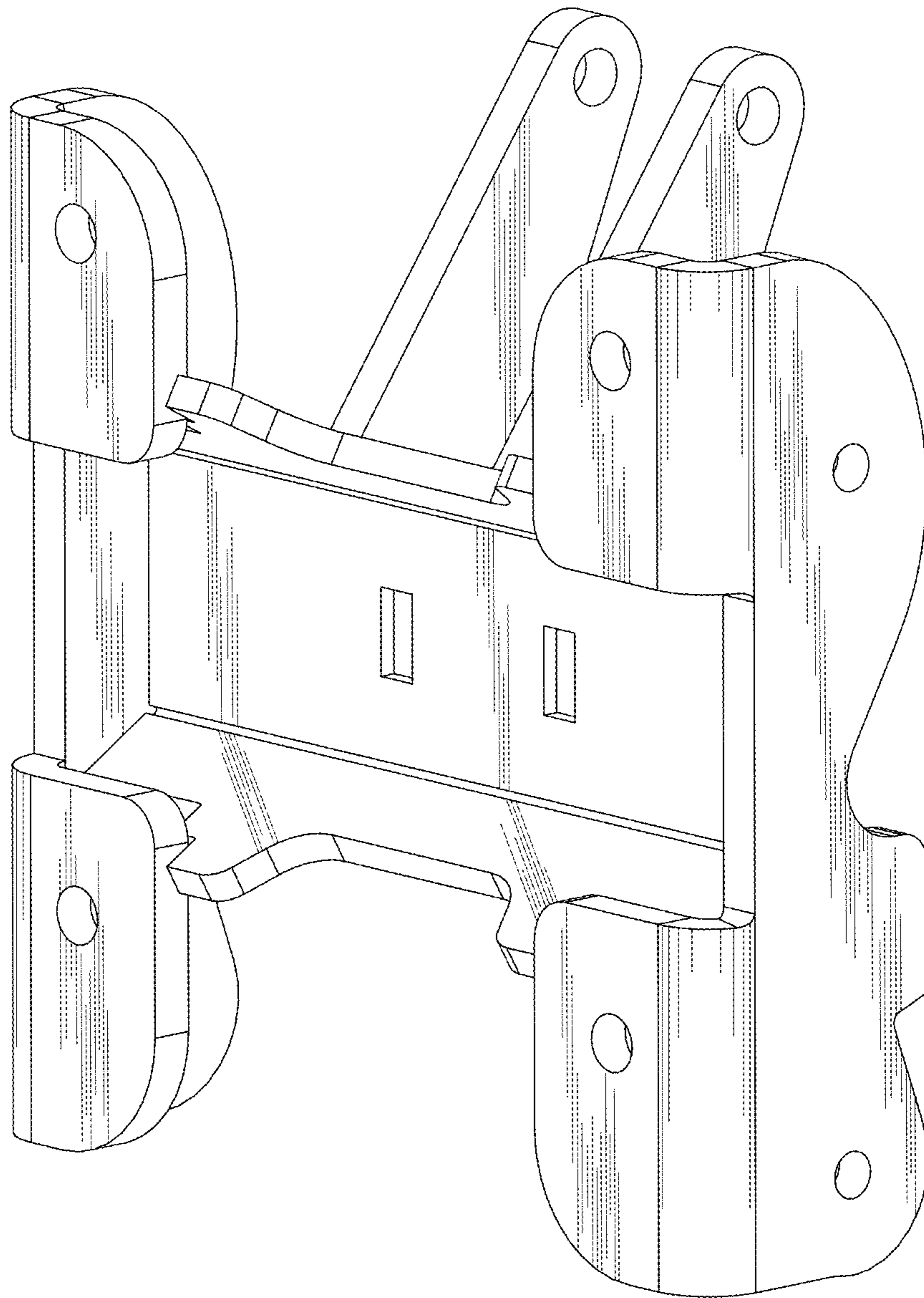


Fig. 1

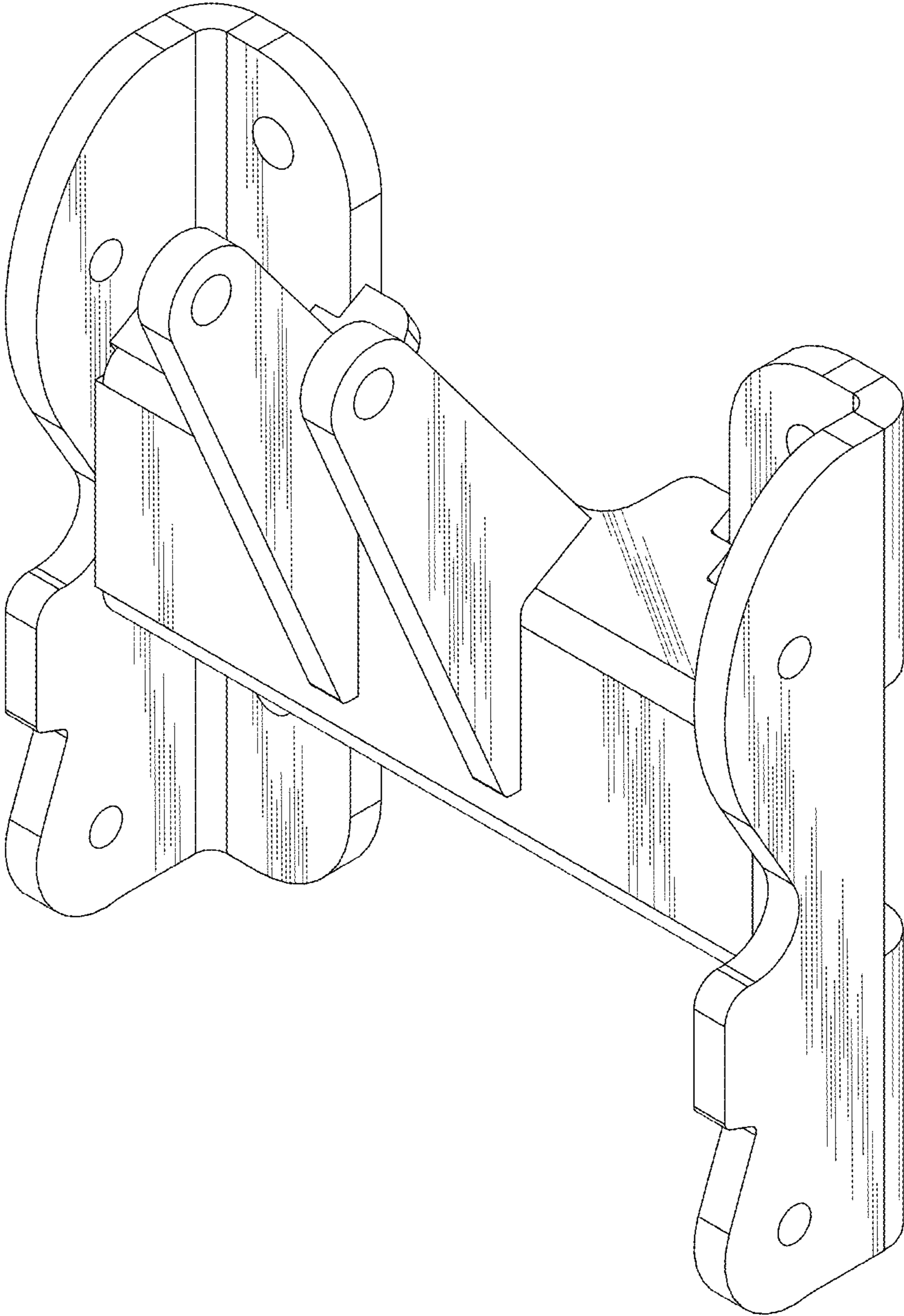


Fig. 2

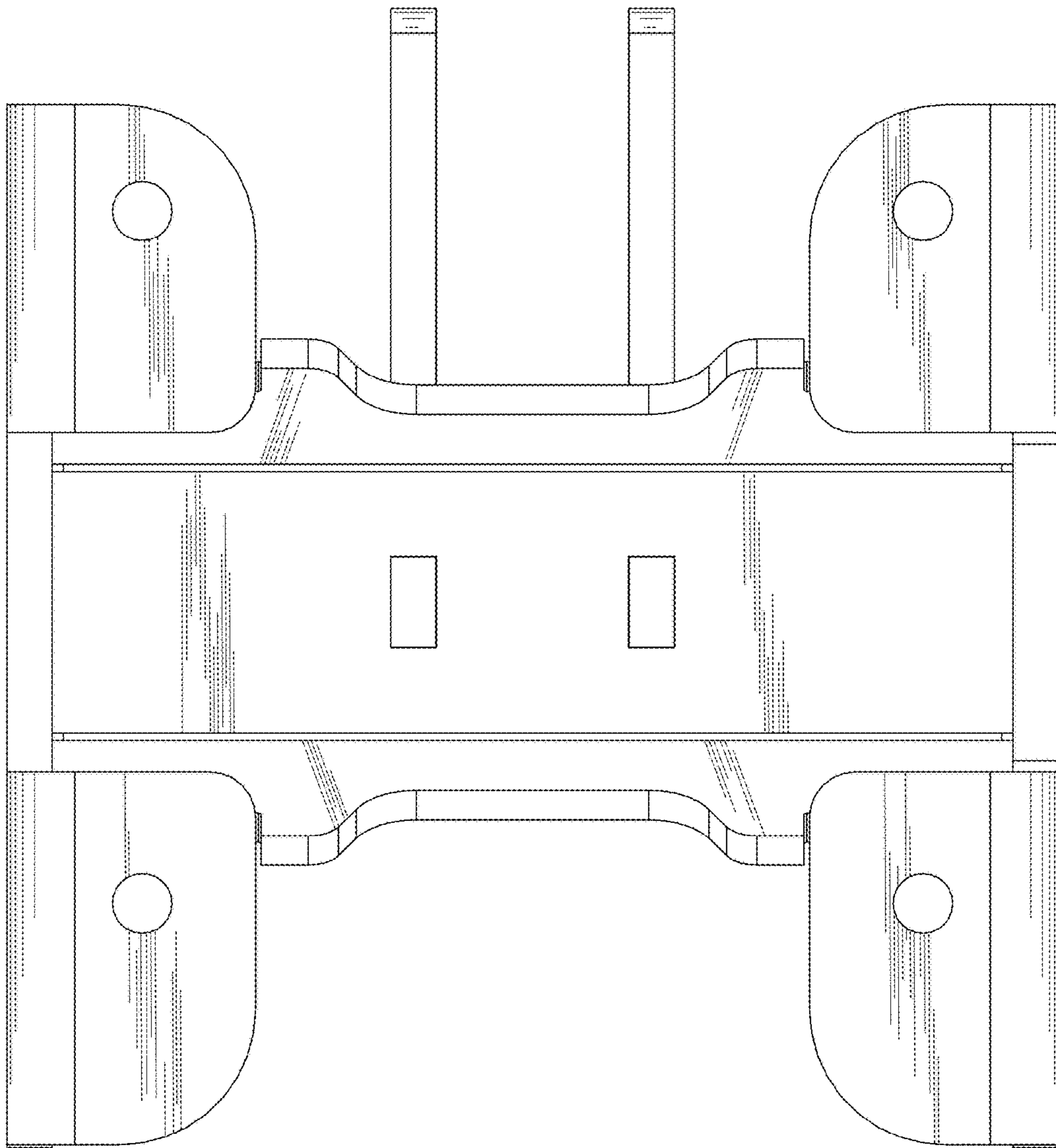


Fig. 3

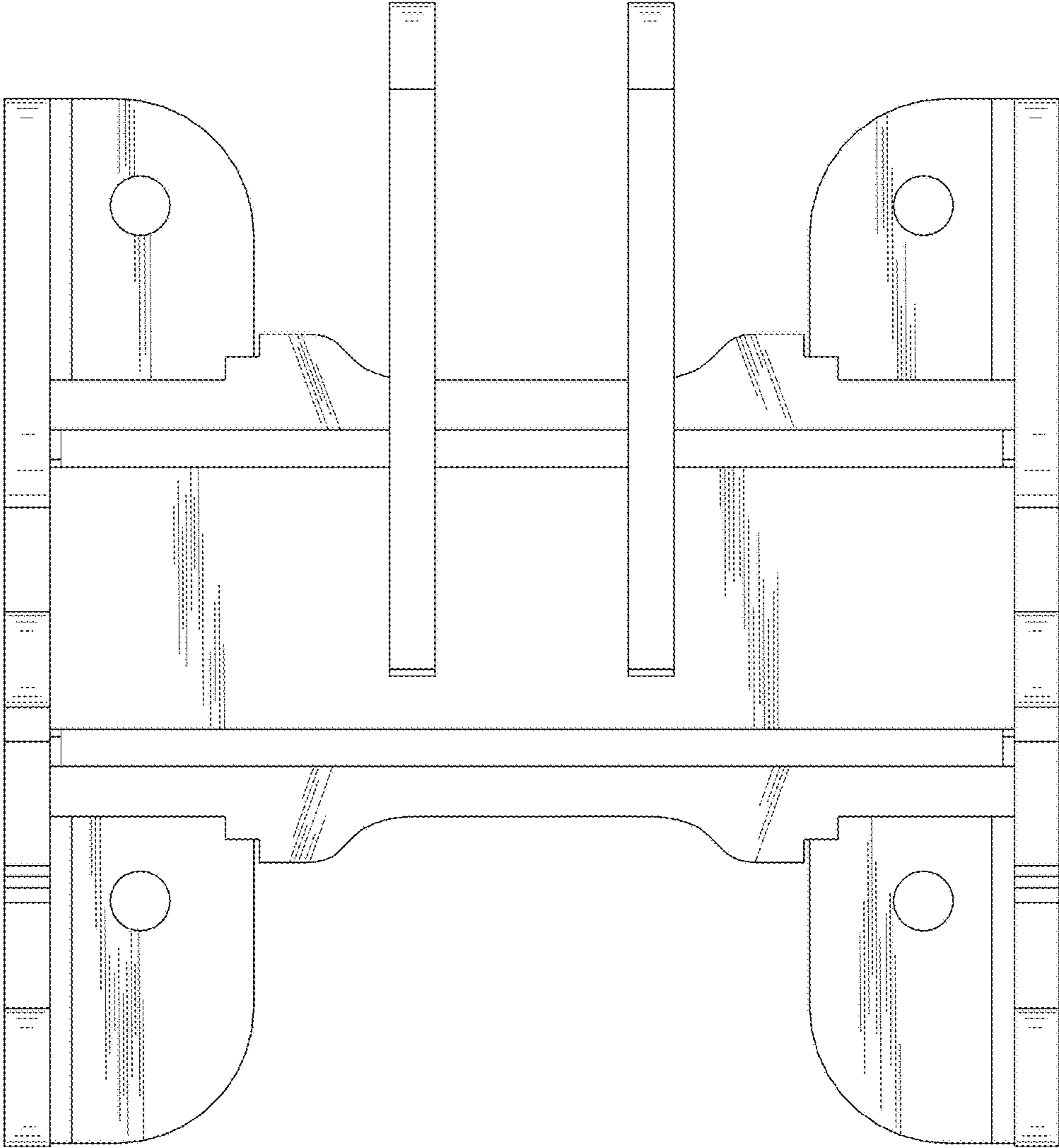


Fig. 4

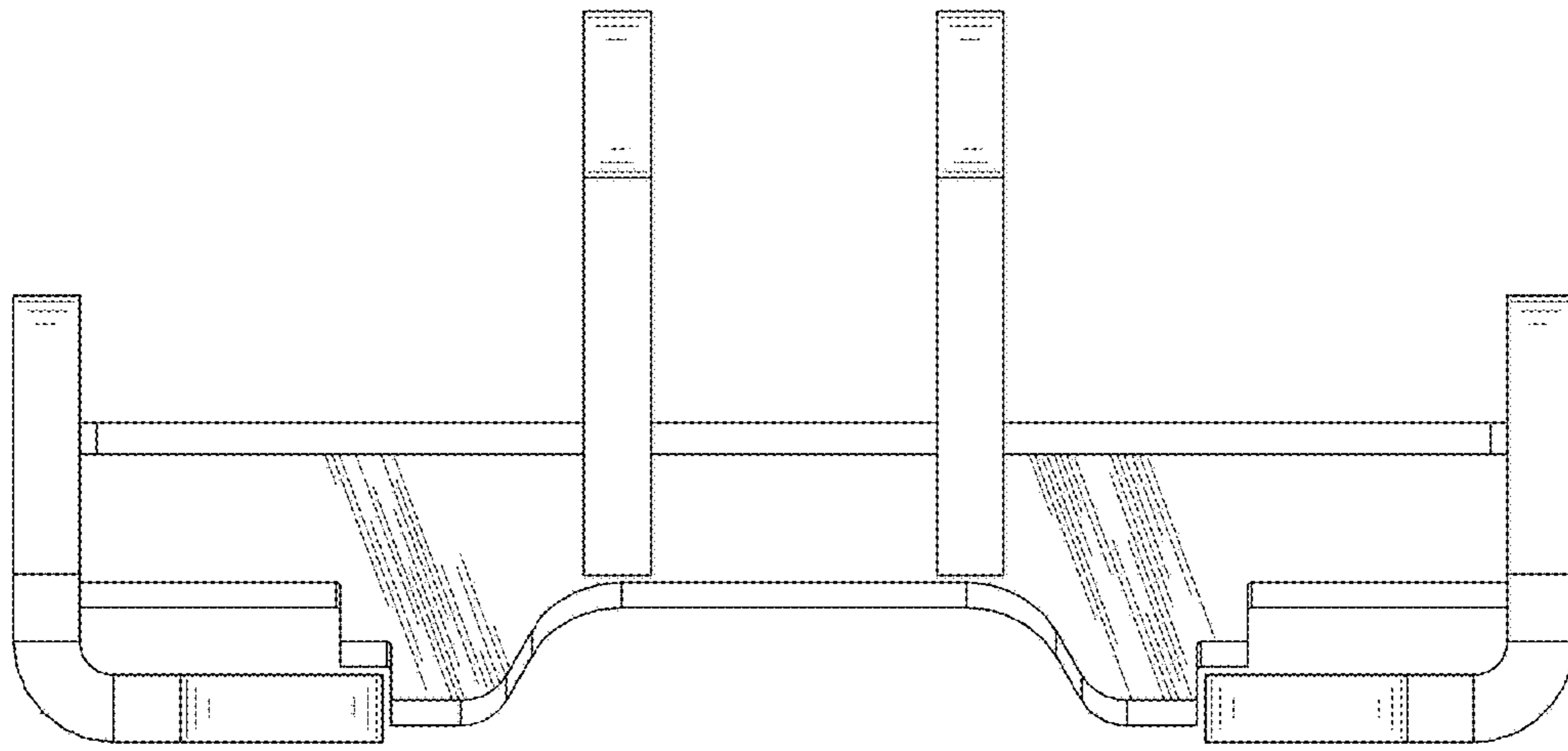


Fig. 5

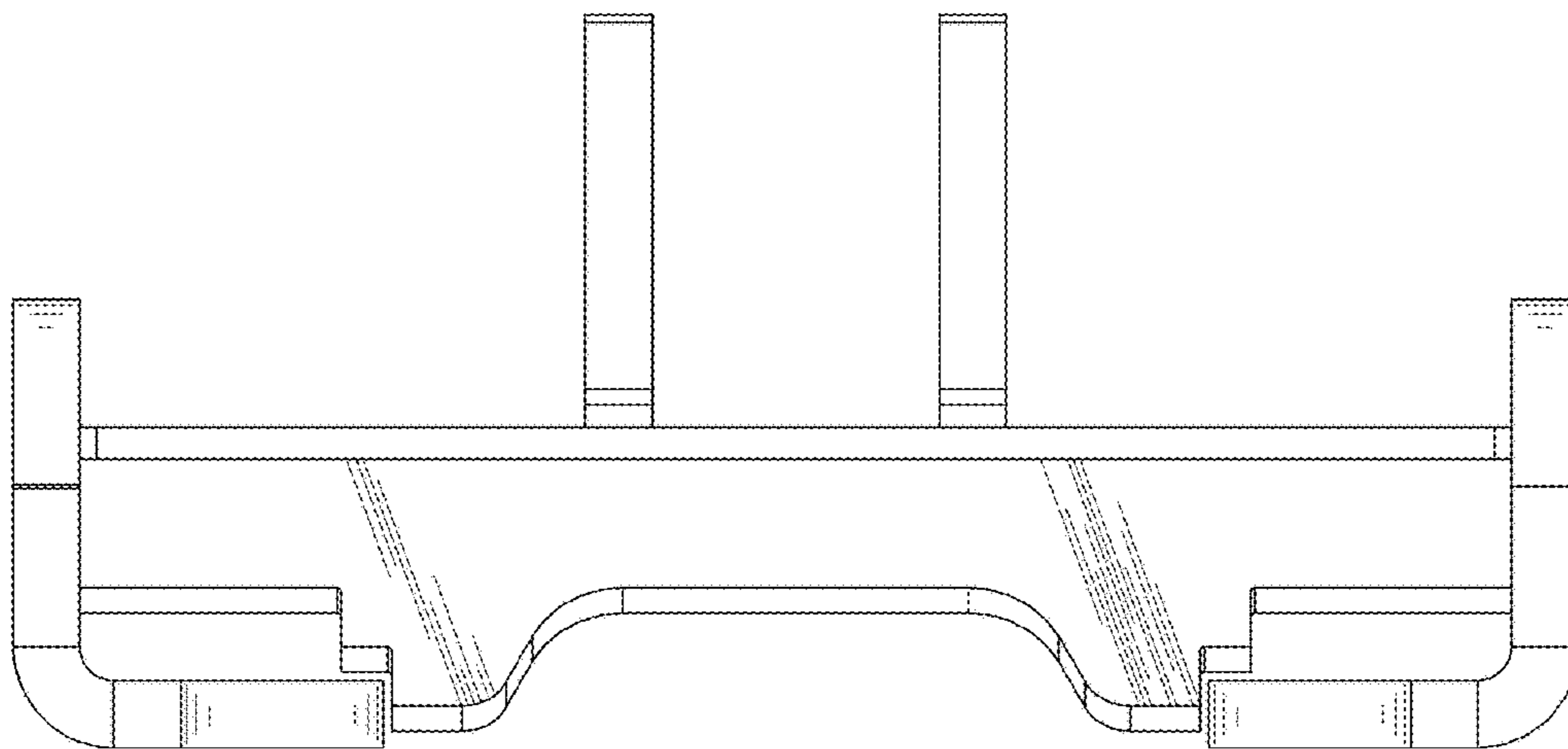


Fig. 6

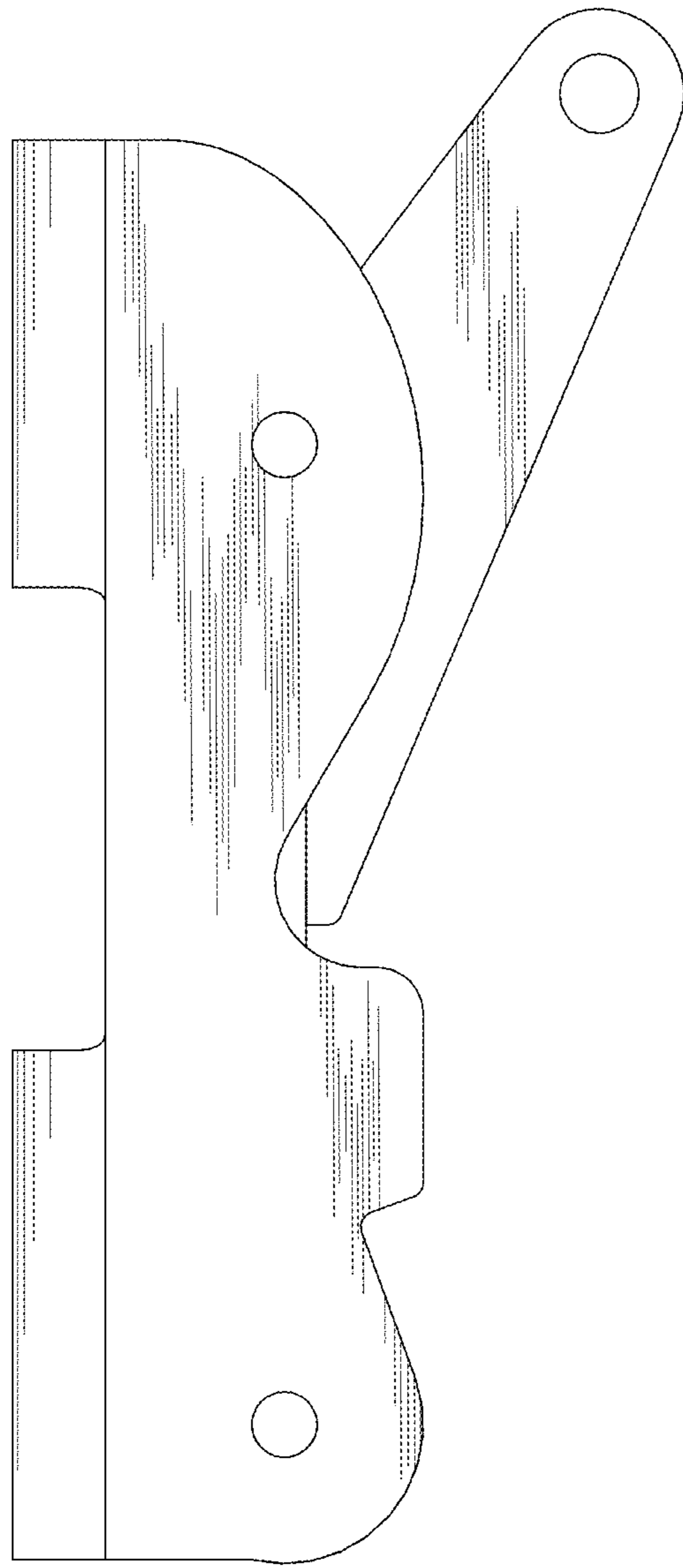


Fig. 7

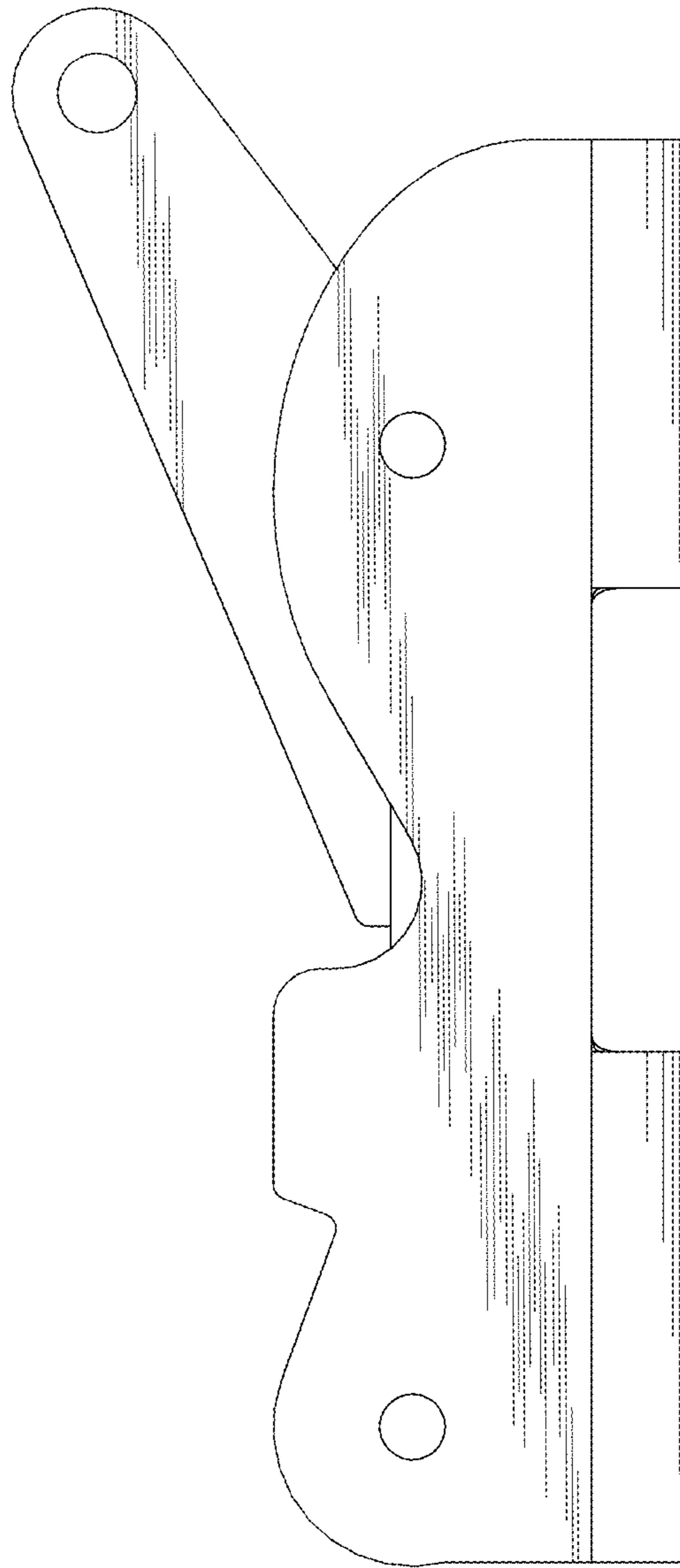


Fig. 8

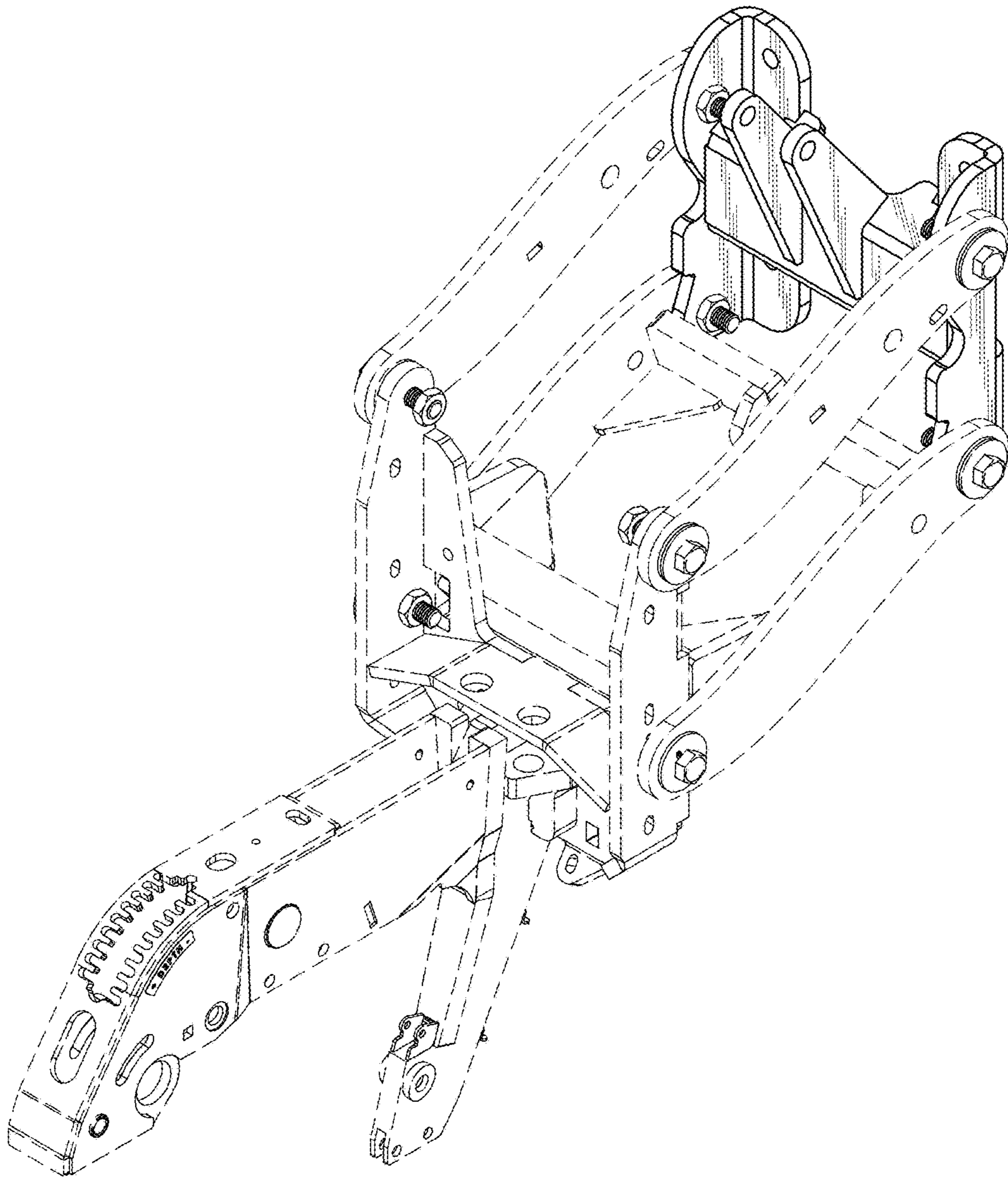


Fig. 9