



US00D824428S

(12) **United States Design Patent** (10) **Patent No.:** **US D824,428 S**
Stewart et al. (45) **Date of Patent:** **** Jul. 31, 2018**

(54) **HOPPER** 5,570,814 A * 11/1996 Havlovitz A01C 15/02
 222/235
 (71) Applicant: **Home Depot Product Authority, LLC,** 5,597,092 A * 1/1997 Havlovitz A01C 15/02
 Atlanta, GA (US) 222/235
 5,607,079 A * 3/1997 DeLaby A01C 15/02
 222/235
 (72) Inventors: **Craig Stewart,** Atlanta, GA (US); D520,524 S * 5/2006 Sandler D12/15
Michael Nelson, Peachtree City, GA D555,322 S * 11/2007 Hlady D15/13
 (US); **Dominic Lovely,** Centennial, CO D689,527 S * 9/2013 MacLean-Blevins D15/13
 (US); **Brent Christopher,** Centennial, D724,105 S * 3/2015 Kendall D15/13
 CO (US) D758,454 S * 6/2016 Kendall D15/13
 2005/0274832 A1 * 12/2005 Bowsher A01C 17/001
 239/683
 (73) Assignee: **Home Depot Product Authority, LLC,** 2008/0314300 A1 * 12/2008 Bowsher A01C 17/005
 Atlanta, GA (US) 111/11
 2010/0200680 A1 * 8/2010 Hobbs, Jr. A01C 15/006
 239/687
 (**) Term: **15 Years**

(21) Appl. No.: **29/603,548**
 (22) Filed: **May 10, 2017**
 (51) **LOC (11) Cl.** **15-03**
 (52) **U.S. Cl.**
 USPC **D15/13; D15/21; D15/28**
 (58) **Field of Classification Search**
 USPC D15/13, 17, 27, 28, 21; 239/681-689,
 239/666, 663, 650, 652, 655, 664, 665;
 222/625, 502, 45, 228, 162, 174, 614,
 222/624, 650
 CPC A01C 15/006; A01C 15/02; A01C 15/00;
 A01C 17/001; A01C 17/008
 See application file for complete search history.

(56) **References Cited**
 U.S. PATENT DOCUMENTS
 4,032,074 A * 6/1977 Amerine A01C 15/008
 222/623
 4,580,730 A * 4/1986 Amerine A01C 17/00
 239/683
 D335,293 S * 5/1993 Pingry D15/28
 D338,893 S * 8/1993 Simpson D15/13
 D368,914 S * 4/1996 Pink D15/13

* cited by examiner

Primary Examiner — Mark Goodwin
 (74) *Attorney, Agent, or Firm* — Greenberg Traurig, LLP

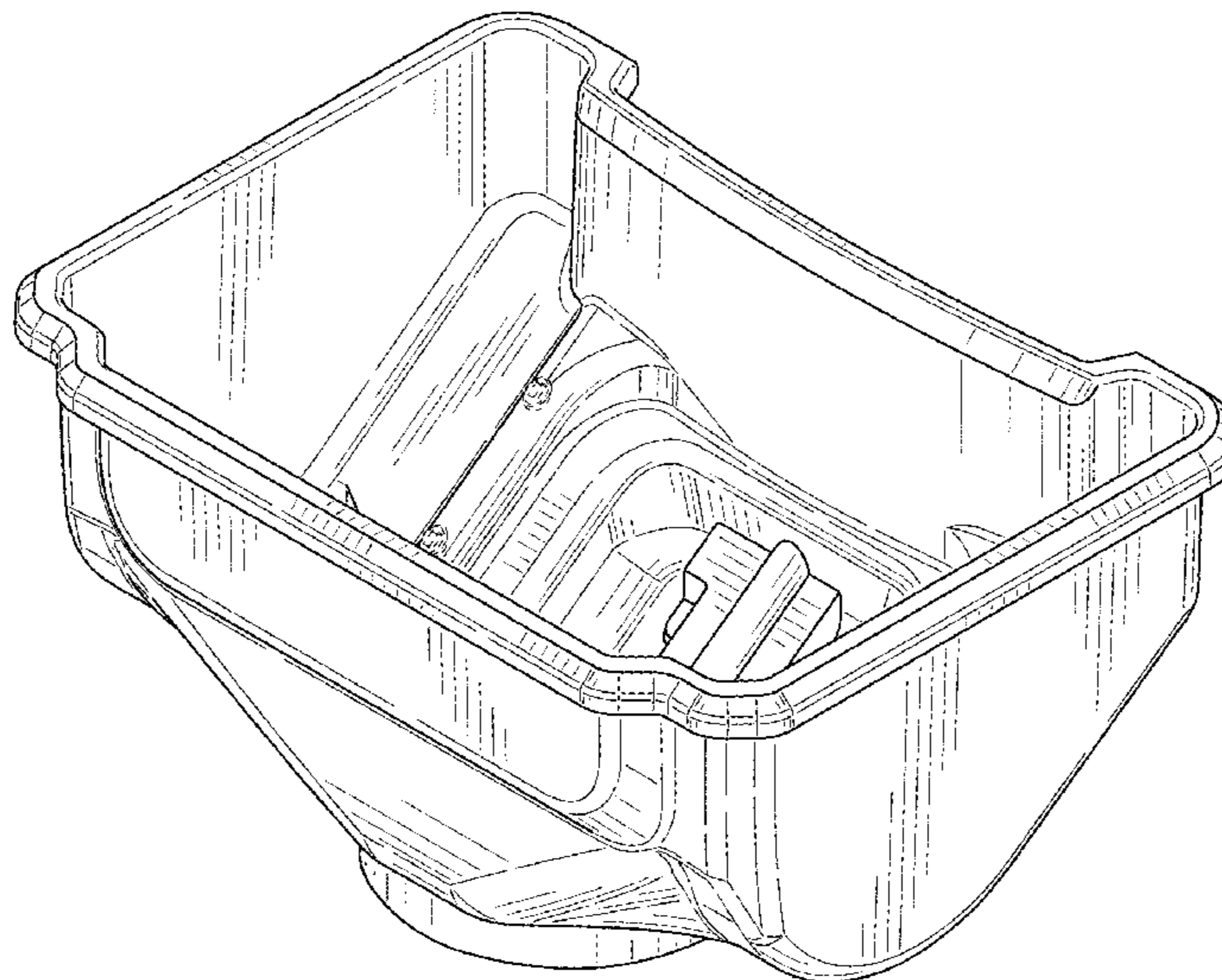
(57) **CLAIM**

We claim the ornamental design for a hopper, as shown and described.

DESCRIPTION

FIG. 1 is a perspective view of our hopper;
 FIG. 2 is a front view thereof;
 FIG. 3 is a rear view thereof;
 FIG. 4 is a left side view thereof;
 FIG. 5 is a right side view thereof;
 FIG. 6 is a top view thereof; and,
 FIG. 7 is a bottom view thereof.
 The dashed lines in the figures represent environmental structure and form no part of the claimed design. All other surface(s) or portion(s) of our designs not shown in the figures or otherwise described in the specification form no part of the claimed design.

1 Claim, 4 Drawing Sheets



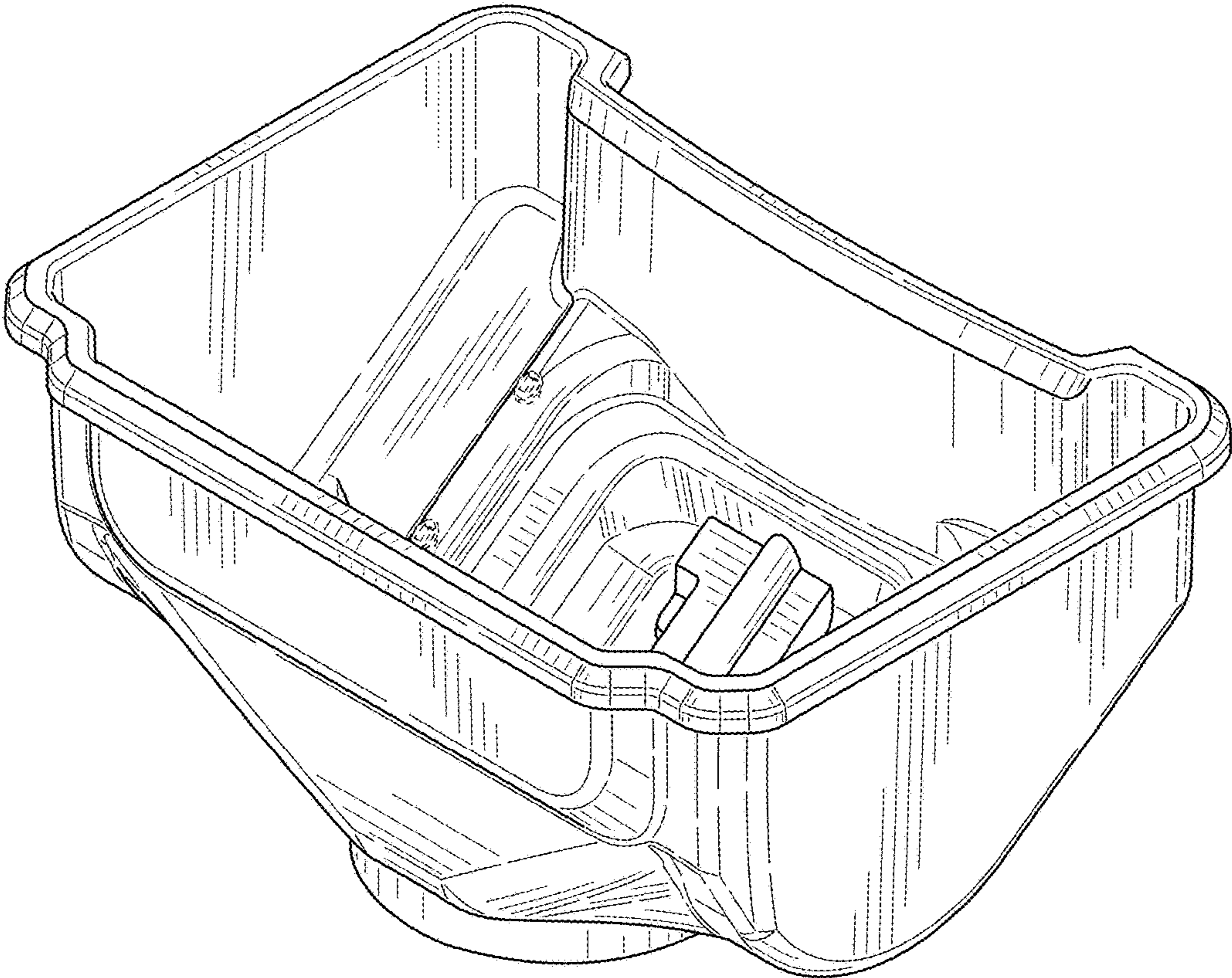


FIG. 1

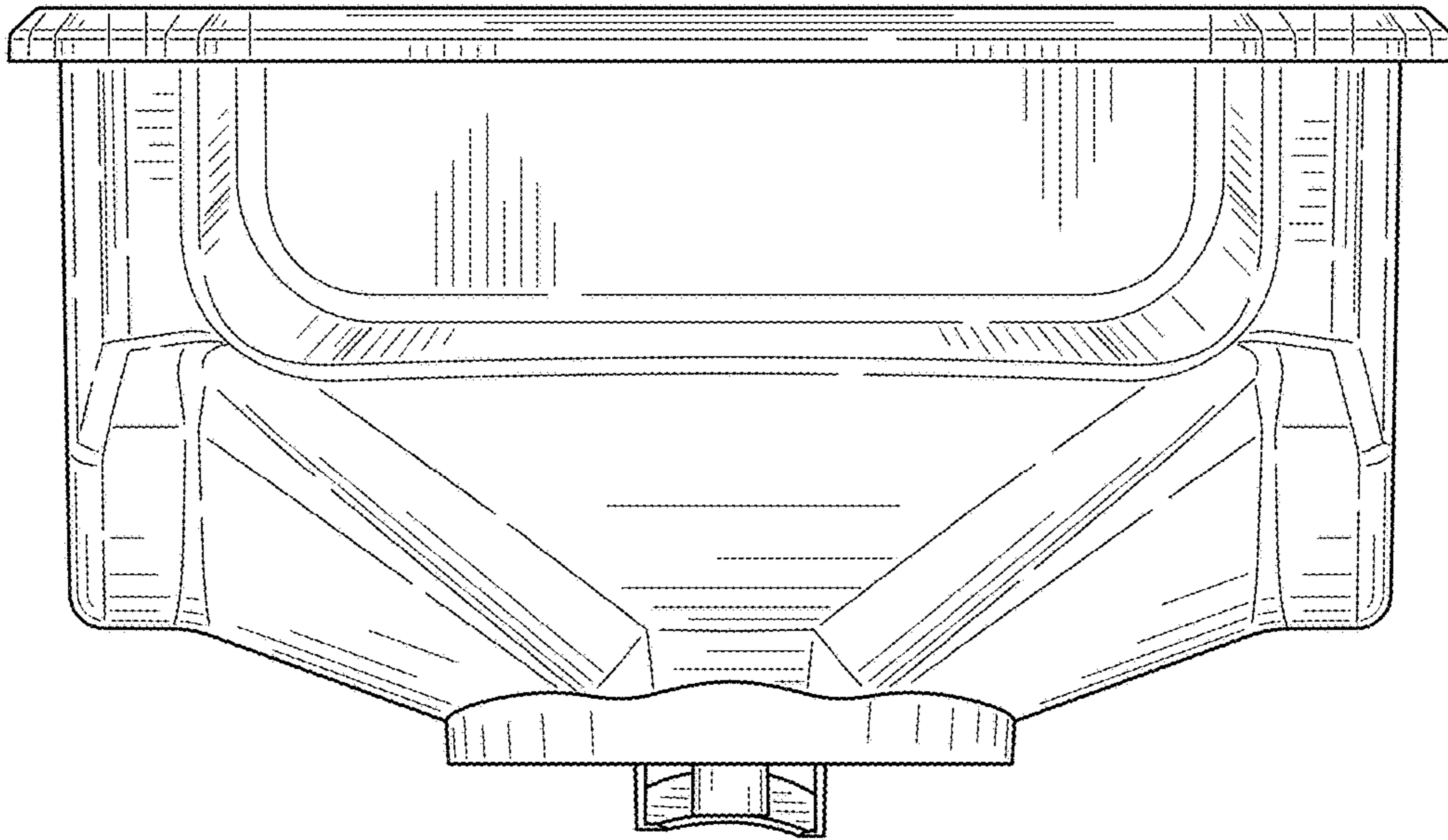


FIG. 2

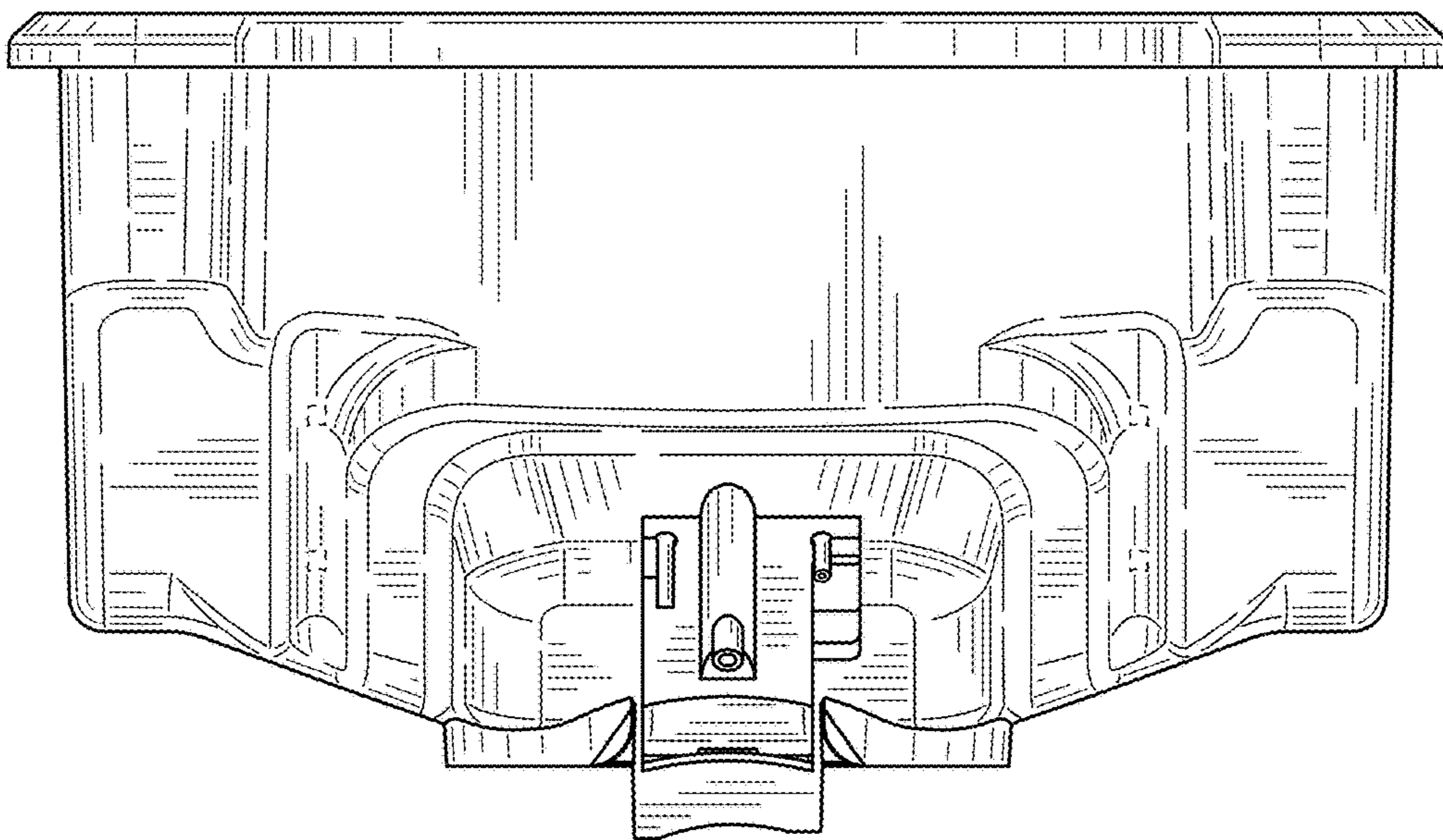


FIG. 3

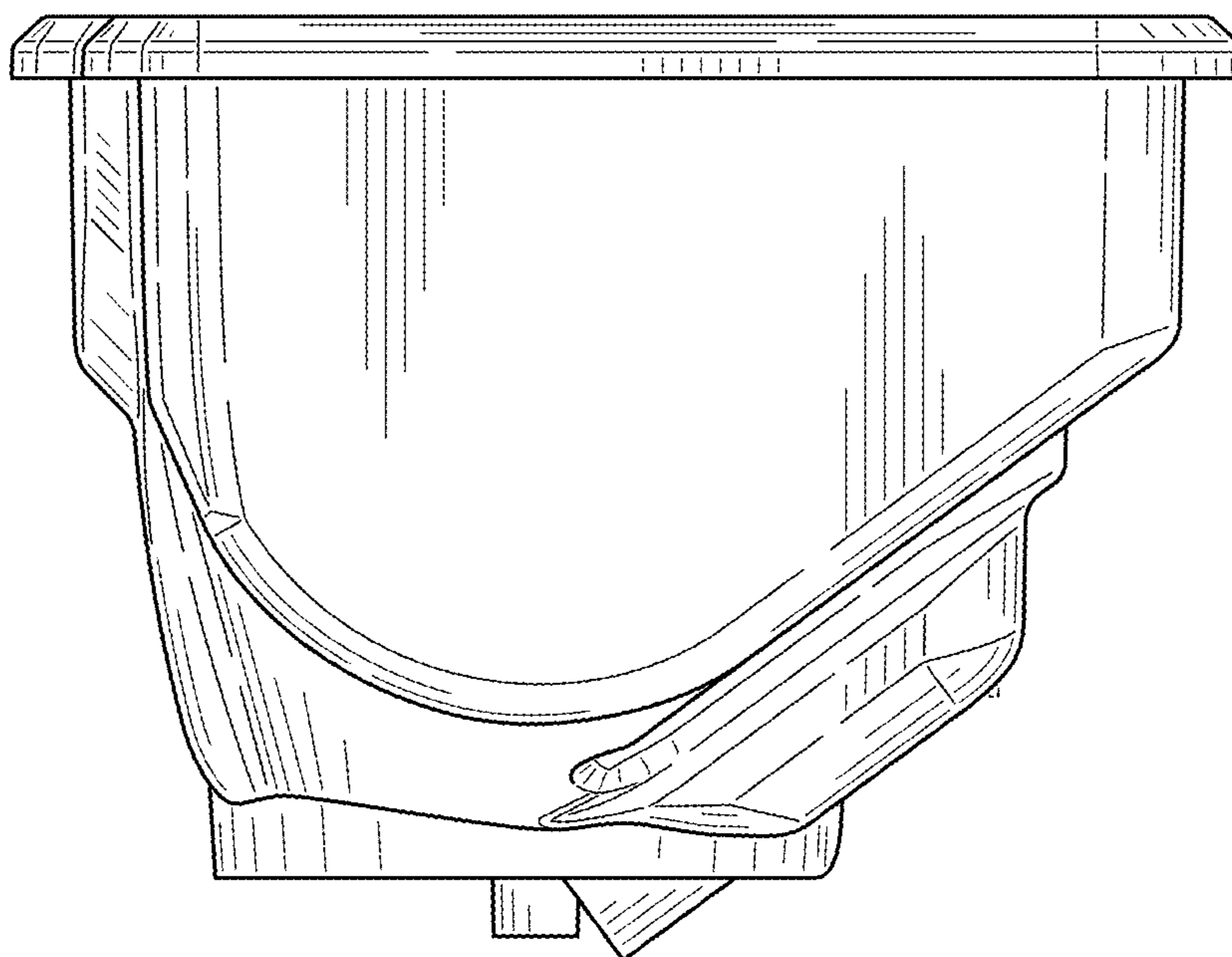


FIG. 4

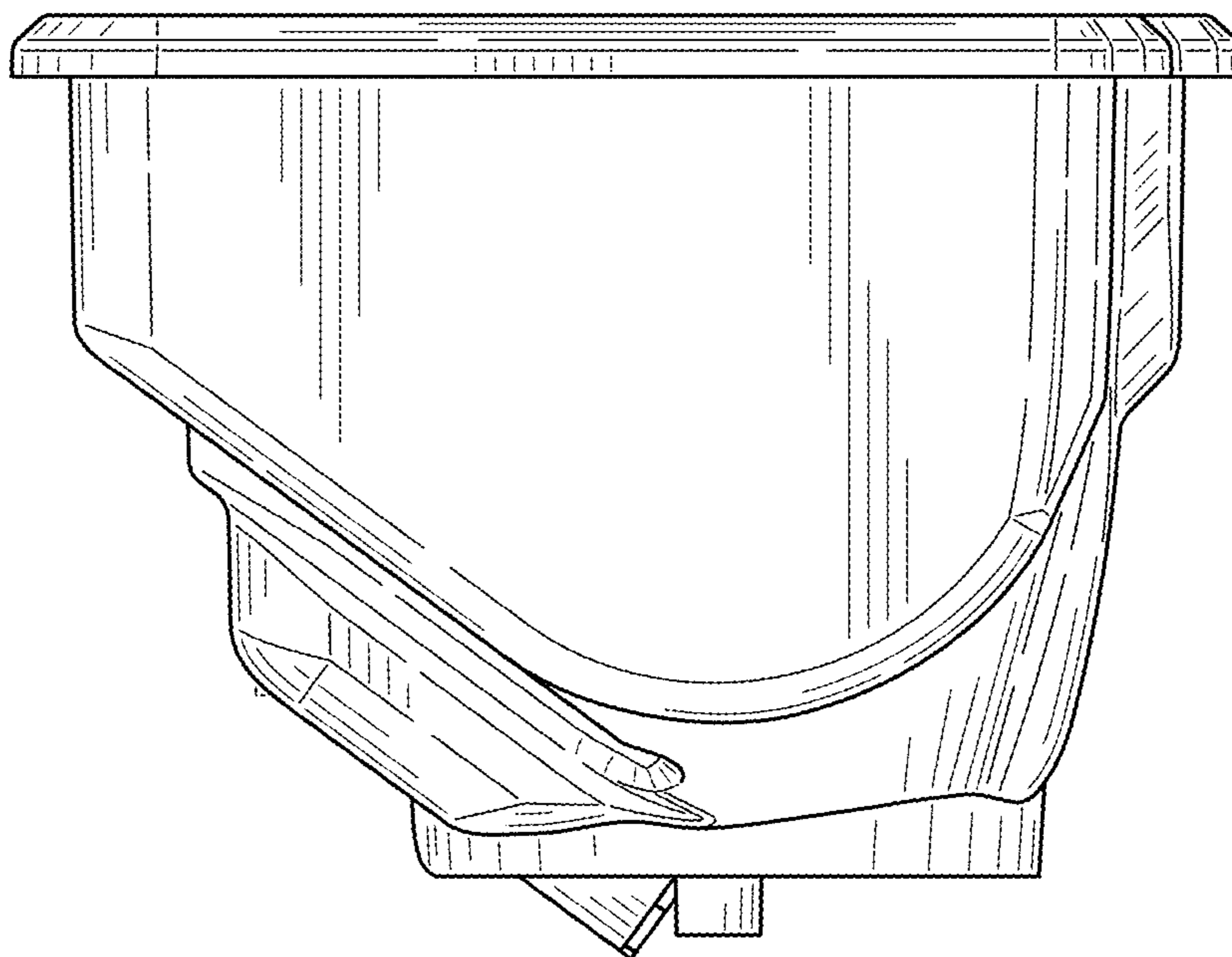


FIG. 5

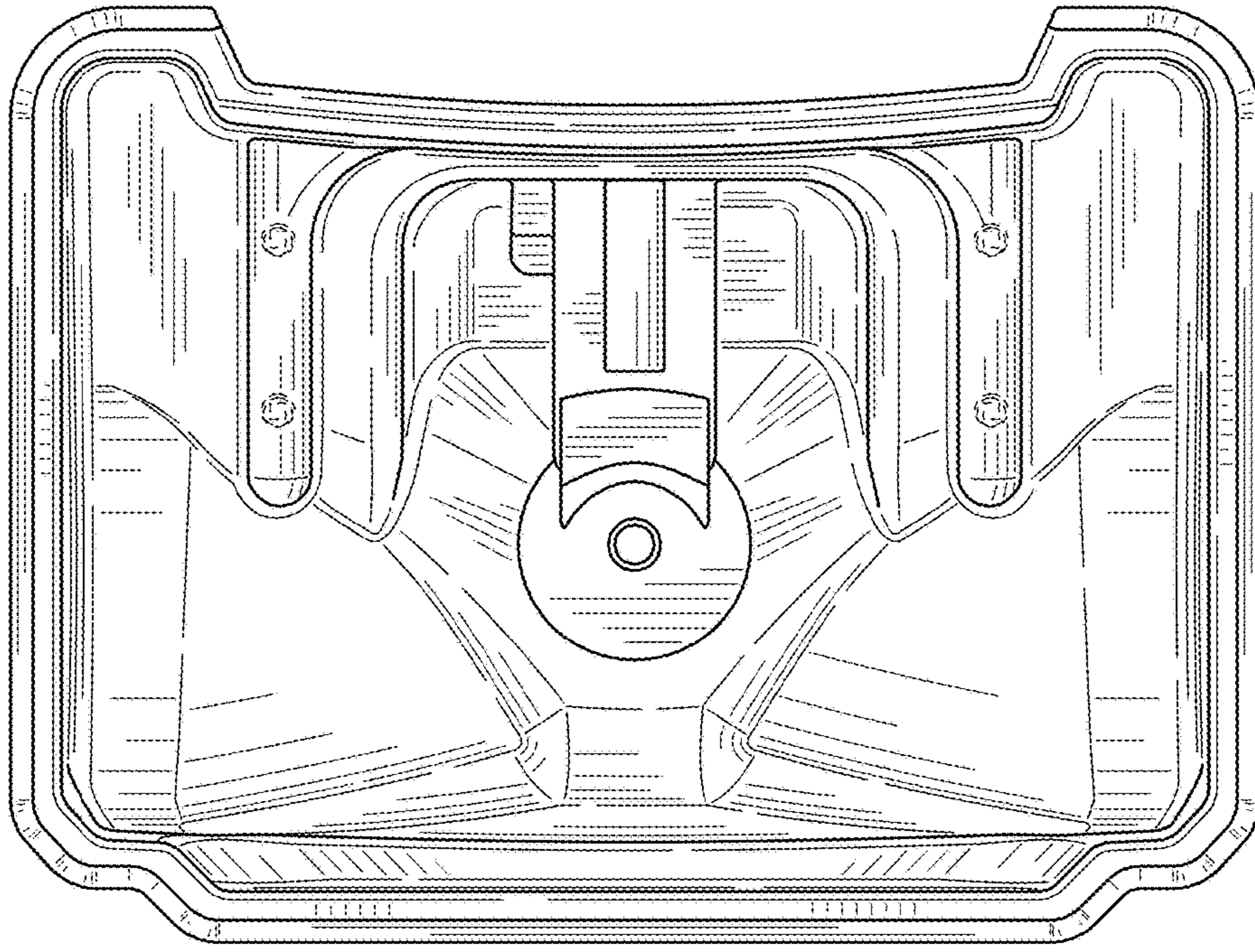


FIG. 6

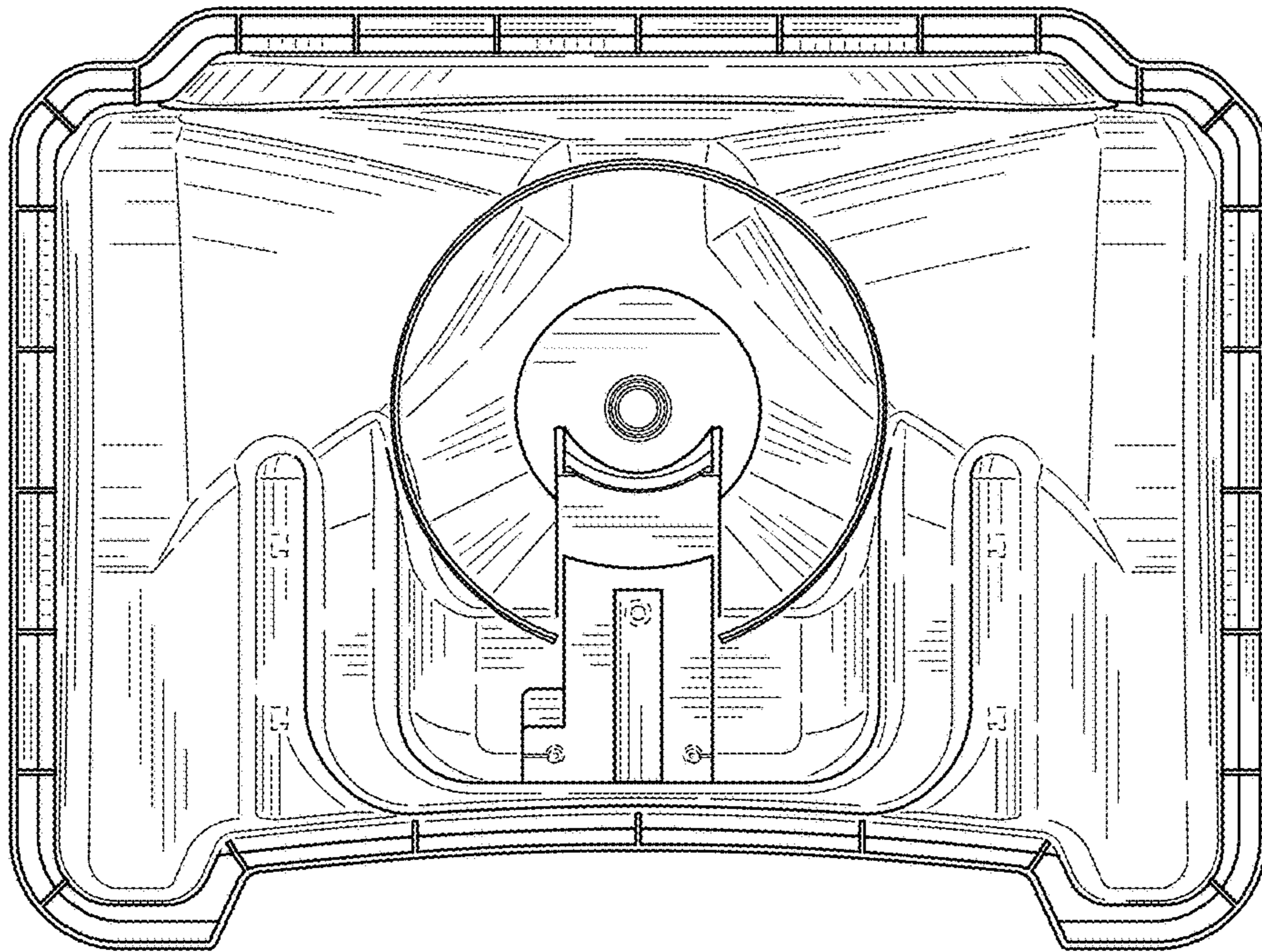


FIG. 7