



US00D824427S

(12) **United States Design Patent**
Cohen

(10) **Patent No.:** **US D824,427 S**
(45) **Date of Patent:** **** Jul. 31, 2018**

- (54) **SNOW THROWER**
- (71) Applicant: **Snow Joe, LLC**, Edison, NJ (US)
- (72) Inventor: **Joseph S. Cohen**, Edison, NJ (US)
- (**) Term: **15 Years**
- (21) Appl. No.: **29/542,154**
- (22) Filed: **Oct. 12, 2015**

5,398,431	A *	3/1995	Beihoffer	E01H 5/04 37/247
5,758,436	A *	6/1998	Harms	E01H 5/04 37/249
6,170,179	B1 *	1/2001	Paytas	E01H 5/045 180/68.5
D448,389	S *	9/2001	Katoh	D15/12
D603,428	S *	11/2009	Tashiro	D15/12
D642,596	S *	8/2011	Hinklin	D15/12
D675,232	S *	1/2013	Martin	D15/12
9,863,107	B2 *	1/2018	Friberg	E01H 5/098
2002/0020083	A1 *	2/2002	White, III	E01H 5/062 37/244

Related U.S. Application Data

- (62) Division of application No. 29/459,769, filed on Jul. 3, 2013, now Pat. No. Des. 743,445.
- (51) **LOC (11) Cl.** **15-03**
- (52) **U.S. Cl.**
USPC **D15/12**
- (58) **Field of Classification Search**
USPC D15/10, 11, 12; 172/699
CPC .. E01H 6/00; E01H 1/00; E01H 1/056; E01H 1/05; E01H 1/0809; E01H 5/098; E01H 5/045; E01H 5/061; E01H 5/10; E01H 5/04; E01H 5/09; E01H 5/06; E01H 5/066; E01H 5/02; E01H 5/065; E01H 5/062; E01H 5/063; E01H 5/067
See application file for complete search history.

* cited by examiner

Primary Examiner — Mark Goodwin

(74) *Attorney, Agent, or Firm* — Seyfarth Shaw LLP

(57) **CLAIM**

The ornamental design for a snow thrower, as shown and described.

DESCRIPTION

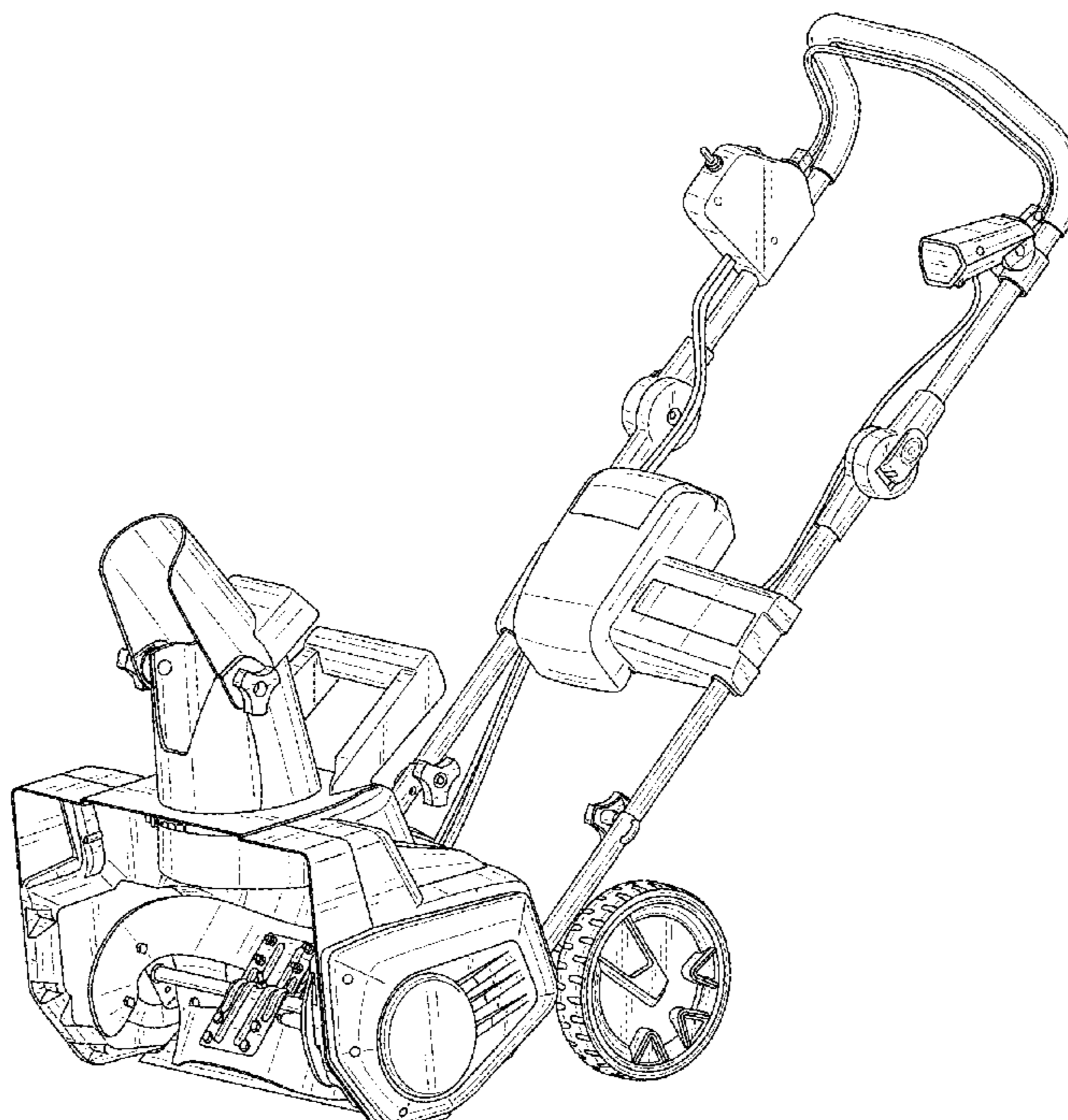
FIG. 1 is a perspective view of a snow thrower showing my new design.
 FIG. 2 is a front elevation view of FIG. 1.
 FIG. 3 is a rear elevation view of FIG. 1.
 FIG. 4 is a side elevation view of FIG. 1.
 FIG. 5 is an opposite side elevation of FIG. 1.
 FIG. 6 is a top plan view of FIG. 1; and,
 FIG. 7 is a bottom plan view of FIG. 1.
 The broken lines shown in the figures are included for the purpose of illustrating environment and form no part of the claimed design.

(56) **References Cited**

U.S. PATENT DOCUMENTS

D251,786	S *	5/1979	Wildgen	D15/12
D262,797	S *	1/1982	Arthur	D15/12
D305,125	S *	12/1989	Hinklin	D15/11
D320,993	S *	10/1991	Pink	D15/12
D326,457	S *	5/1992	Pink	D15/11

1 Claim, 7 Drawing Sheets



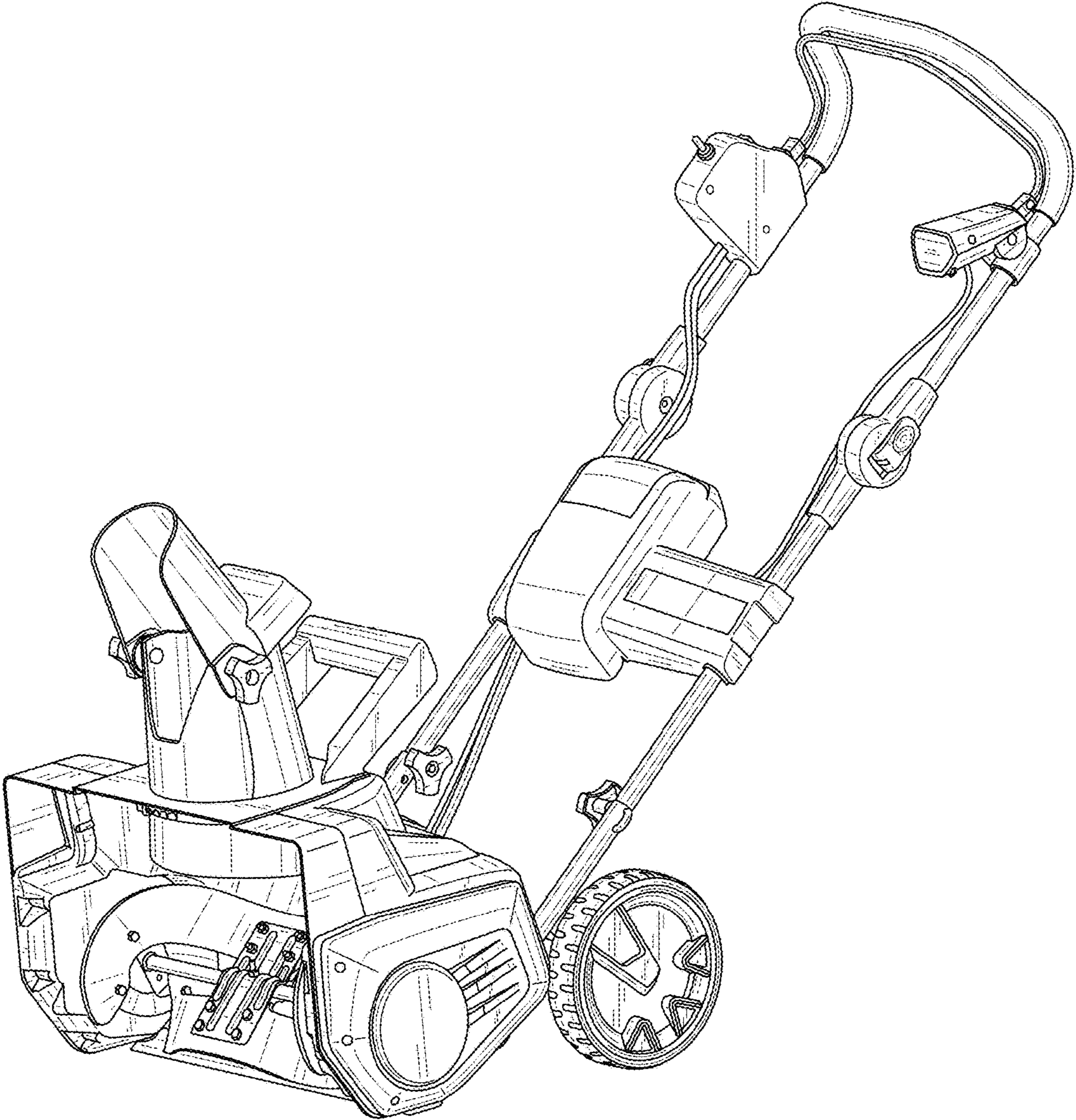


FIG. 1

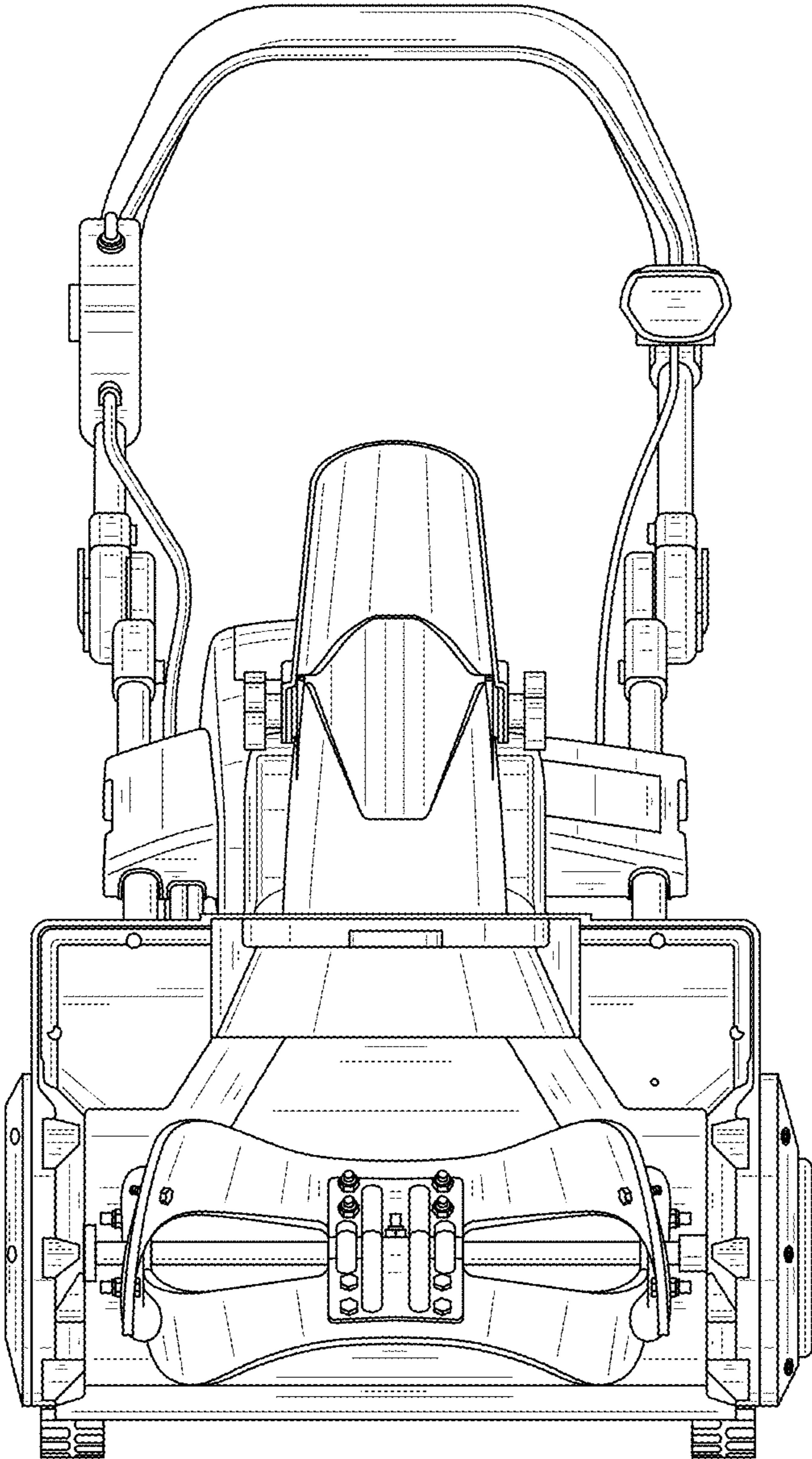


FIG. 2

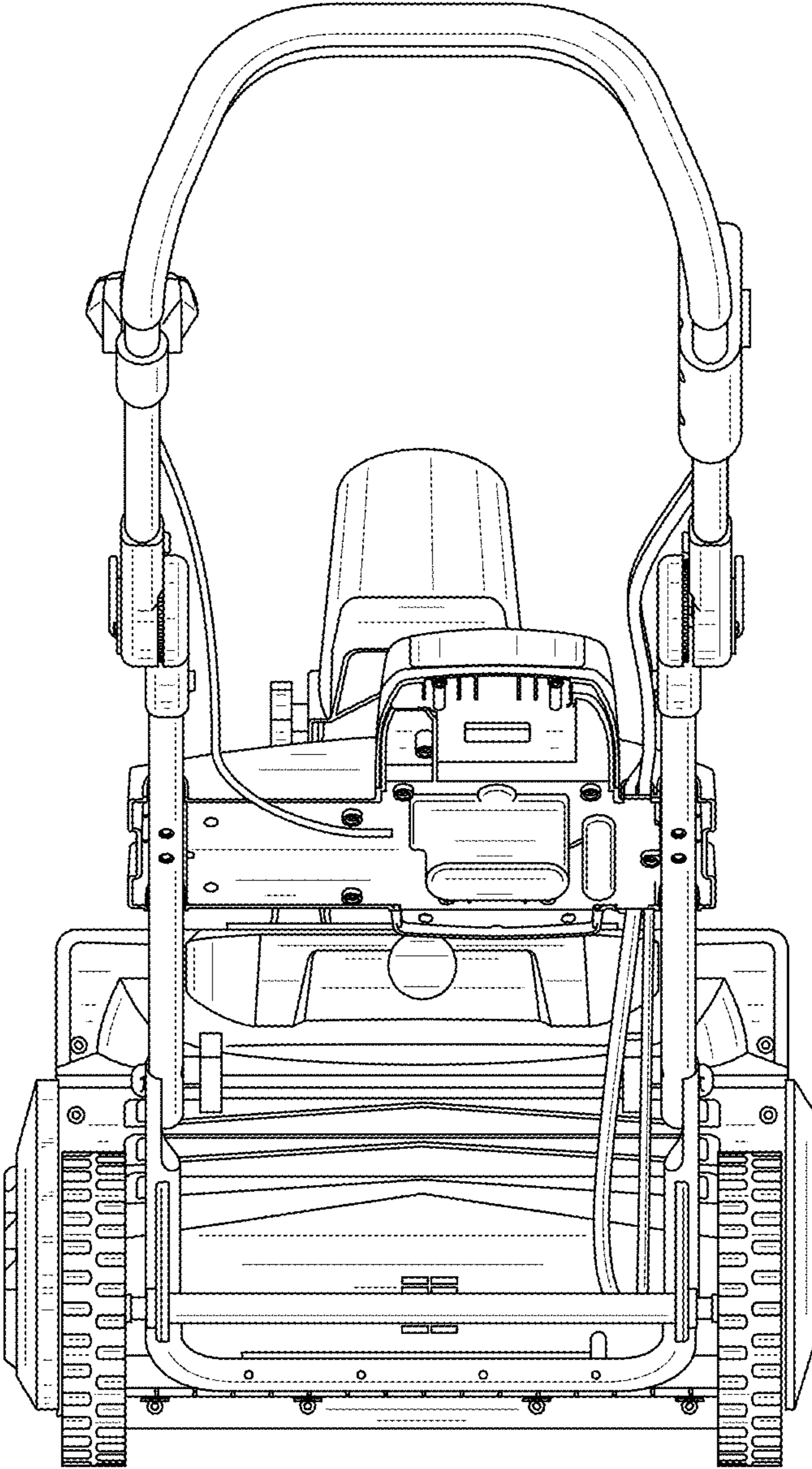


FIG. 3

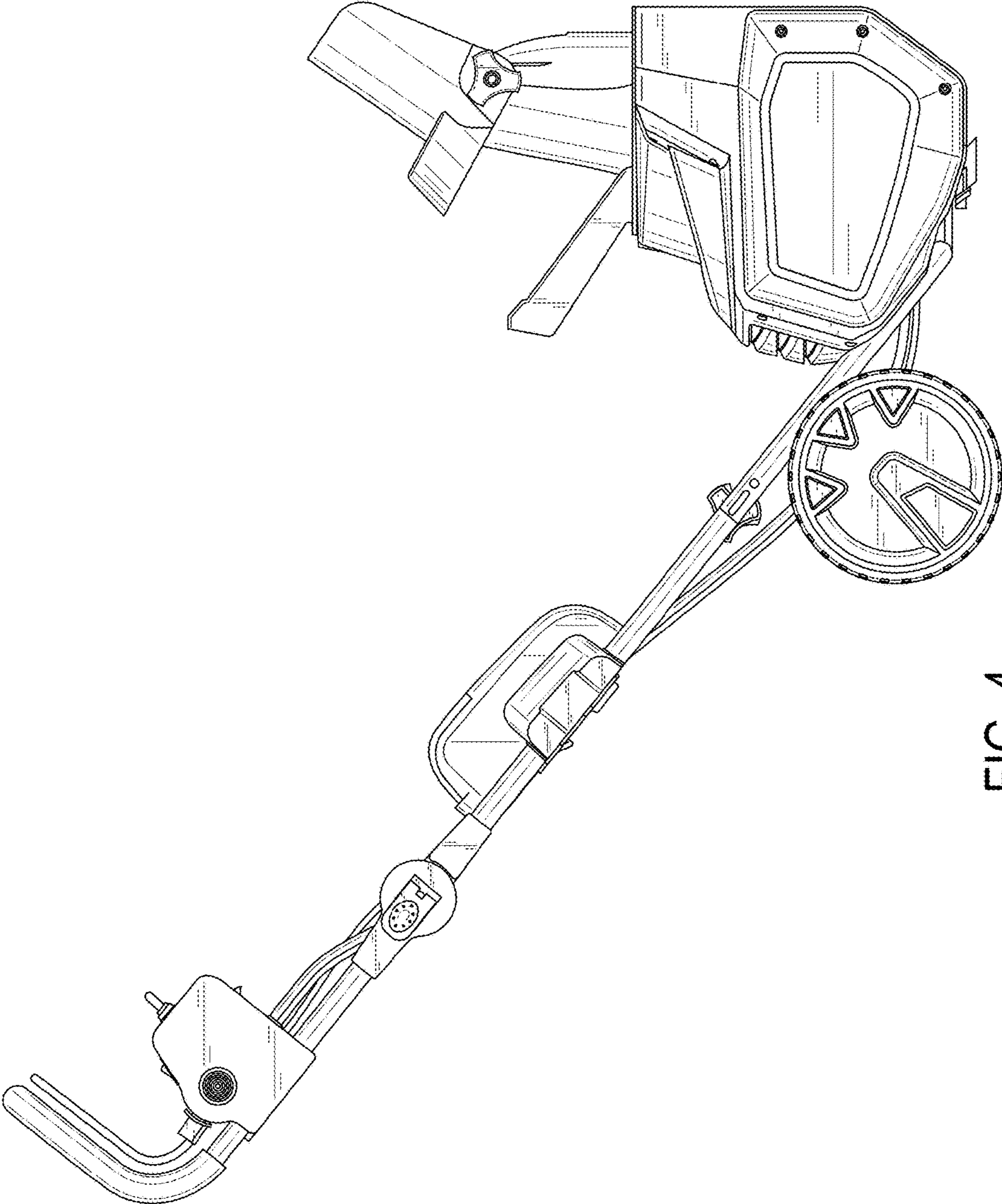


FIG. 4

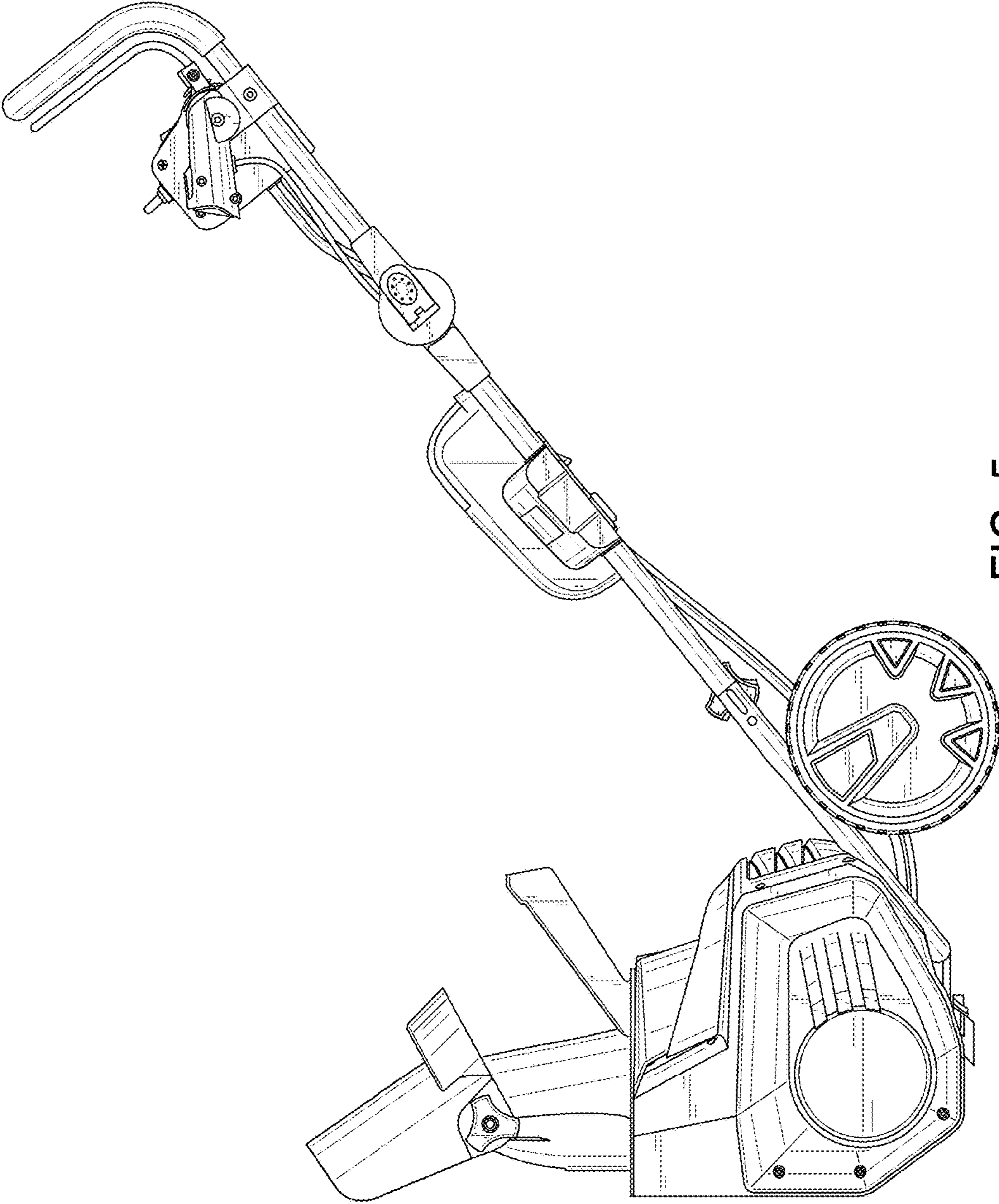


FIG. 5

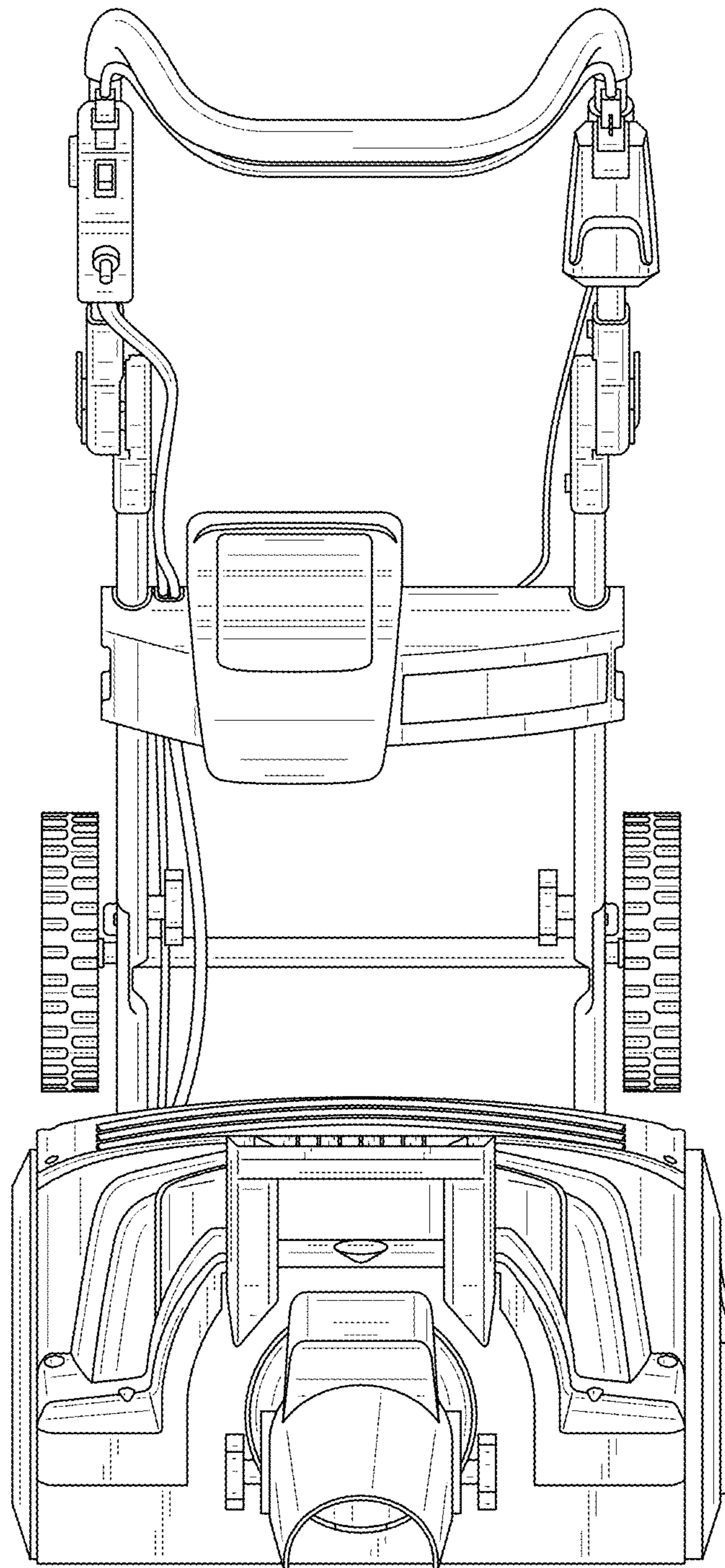


FIG. 6

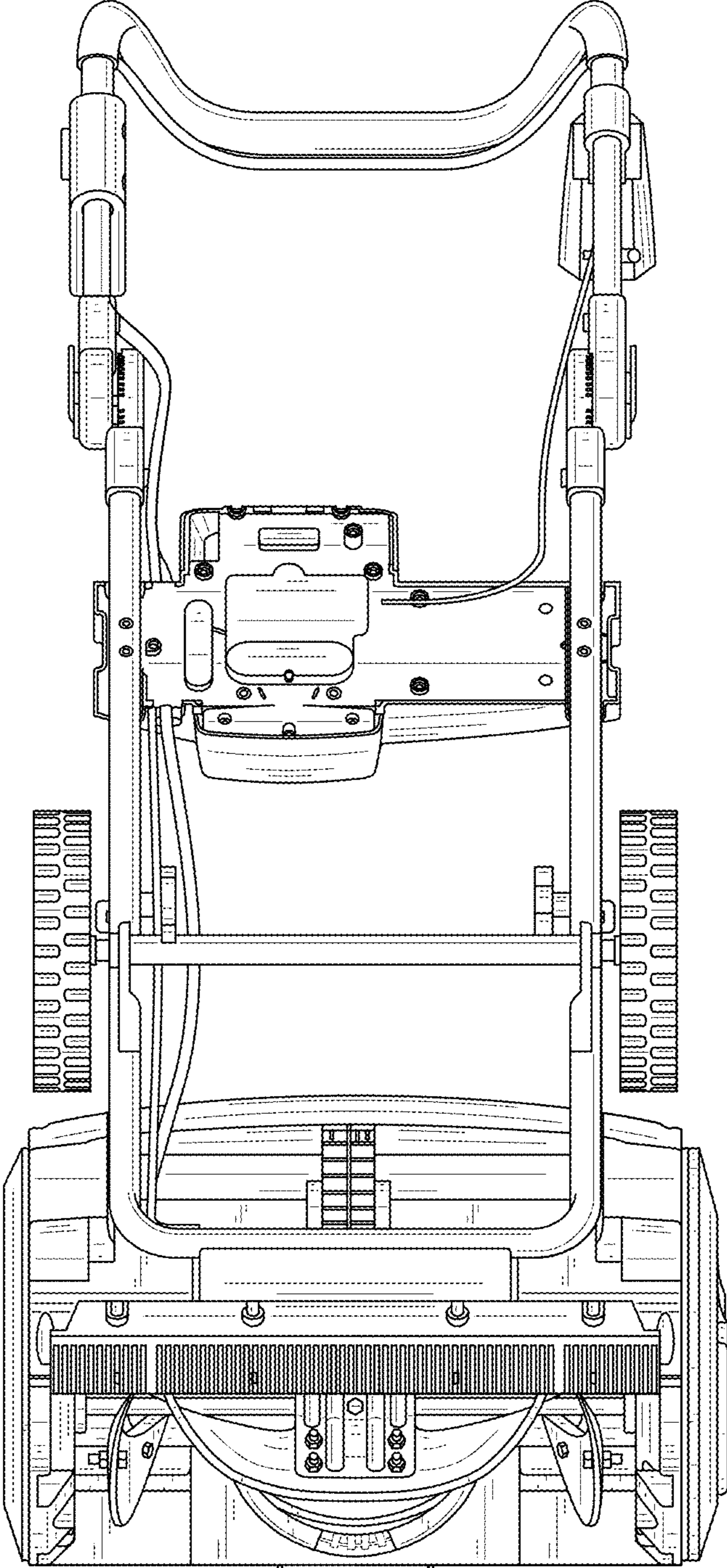


FIG. 7