



US00D824404S

(12) **United States Design Patent**  
**Di Nicola et al.**

(10) **Patent No.:** **US D824,404 S**  
(45) **Date of Patent:** **\*\* Jul. 31, 2018**

(54) **DISPLAY SCREEN WITH ANIMATED GRAPHICAL USER INTERFACE**

D789,406 S \* 6/2017 Ive ..... D14/487  
D794,670 S \* 8/2017 Lee ..... D14/486  
D801,998 S \* 11/2017 Im ..... D14/486

(Continued)

(71) Applicant: **Conio Inc.**, San Francisco, CA (US)

(72) Inventors: **Vincenzo Di Nicola**, Kirkland, WA (US); **Cristiano Miccoli**, Arese (IT); **Marco Pesani**, Como (IT)

(73) Assignee: **Conio Inc.**, San Francisco, CA (US)

(\*\*) Term: **15 Years**

(21) Appl. No.: **29/604,978**

(22) Filed: **May 22, 2017**

(51) **LOC (11) Cl.** ..... **14-04**

(52) **U.S. Cl.**  
USPC ..... **D14/485**

(58) **Field of Classification Search**  
USPC ..... D14/485-495; D9/607, 634, 635, 637, D9/652, 667; D20/10, 11, 22-33, 39, 40  
CPC .. G06F 3/048-3/04897; G06F 17/3005; G06F 17/30112; G06F 17/30716; G06Q 30/0601; G06Q 30/0641; G06Q 10/063114; H04N 1/00477; G11B 27/34  
See application file for complete search history.

(56) **References Cited**

**U.S. PATENT DOCUMENTS**

D603,421 S \* 11/2009 Ebeling ..... D14/489  
D619,593 S \* 7/2010 Fujioka ..... D14/485  
D751,108 S \* 3/2016 Caldwell ..... G06T 11/206  
D752,105 S \* 3/2016 Lee ..... G06F 3/04817  
D760,740 S \* 7/2016 Agostini ..... D14/485  
D762,682 S \* 8/2016 Vinna ..... D14/486  
D763,278 S \* 8/2016 Cavander ..... D14/485

**OTHER PUBLICATIONS**

Colorful Bubbles with Origami Studio, by Vu, dribbble.com [online], published on May 10, 2017, [retrieved on Apr. 3, 2018], retrieved from the Internet <URL: https://dribbble.com/shots/3489405-Colorful-bubbles-with-Origami-Studio> (Year: 2017).\*

(Continued)

*Primary Examiner* — Cathron C Brooks

*Assistant Examiner* — Ian F Whitmore

(74) *Attorney, Agent, or Firm* — Carr & Ferrell LLP

(57) **CLAIM**

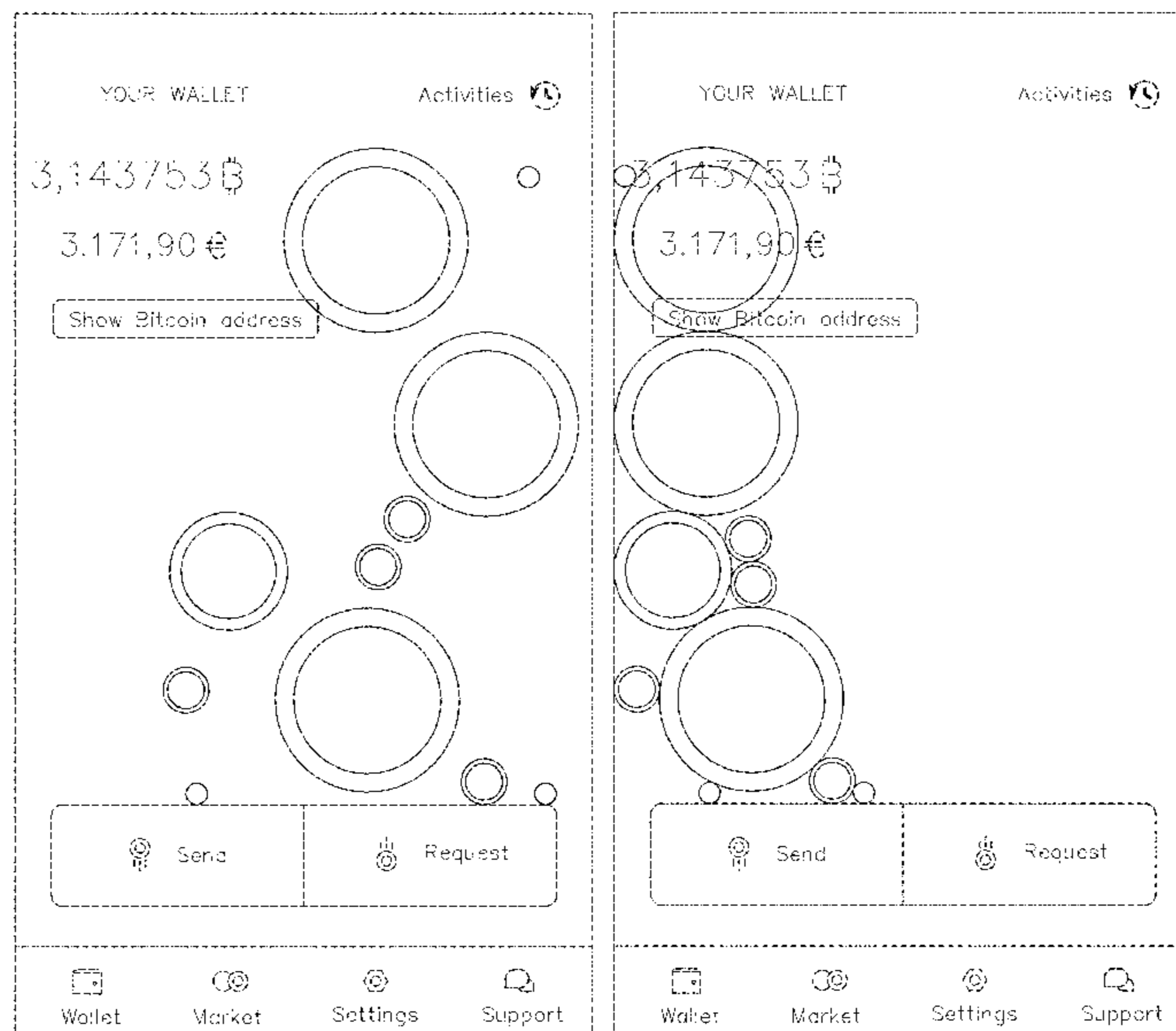
The ornamental design for a display screen with an animated graphical user interface, as shown and described.

**DESCRIPTION**

FIG. 1 is the first image in a sequence of a display screen with an animated graphical user interface according to a first embodiment of our new design; FIG. 2 is the second image thereof; and FIG. 3 is the third image thereof. FIG. 4 is the first image in a sequence of a display screen with an animated graphical user interface according to a second embodiment of our new design; FIG. 5 is the second image thereof; and, FIG. 6 is the third image thereof.

The appearance of the display screen with an animated graphical user interface sequentially transitions between the images shown in FIGS. 1-3 in the first embodiment, and FIGS. 4-6 in the second embodiment. The outermost broken-line perimeter illustrates a display screen and forms no part of the claimed design. The remaining broken lines illustrate portions of a graphical user interface and form no part of the claimed design.

**1 Claim, 6 Drawing Sheets**



(56)

**References Cited**

U.S. PATENT DOCUMENTS

2007/0247641 A1\* 10/2007 Okuma ..... G06F 3/04817  
358/1.1  
2011/0271186 A1\* 11/2011 Owens ..... G06F 3/04847  
715/716  
2017/0300212 A1\* 10/2017 Vinna ..... G06F 3/04817

OTHER PUBLICATIONS

Chopcoin.io Exploit Fun with Qwerty, by Chopcoin.io, YouTube [online], published on May 17, 2016, [retrieved on Apr. 3, 2018], retrieved from the Internet <URL: <https://www.youtube.com/watch?v=Hfm3DKBmiDs>> (Year: 2016).\*

Infographic Interaction UX on Smart Home App, by Kuznetsov, dribbble.com [online], published on Jun. 13, 2016, [retrieved on Apr. 3, 2018], retrieved from the Internet <URL: <https://dribbble.com/shots/2833851-Infographic-interaction-UX-on-Smart-Home-app>> (Year: 2016).\*

“The Bitcoin wallet for everyone”, Still Image, Conio Inc. [online], Sep. 7, 2016 [retrieved Apr. 26, 2017], <URL: <https://web.archive.org/web/20160907055855/http://conio.com/>>, 3 pages.

\* cited by examiner

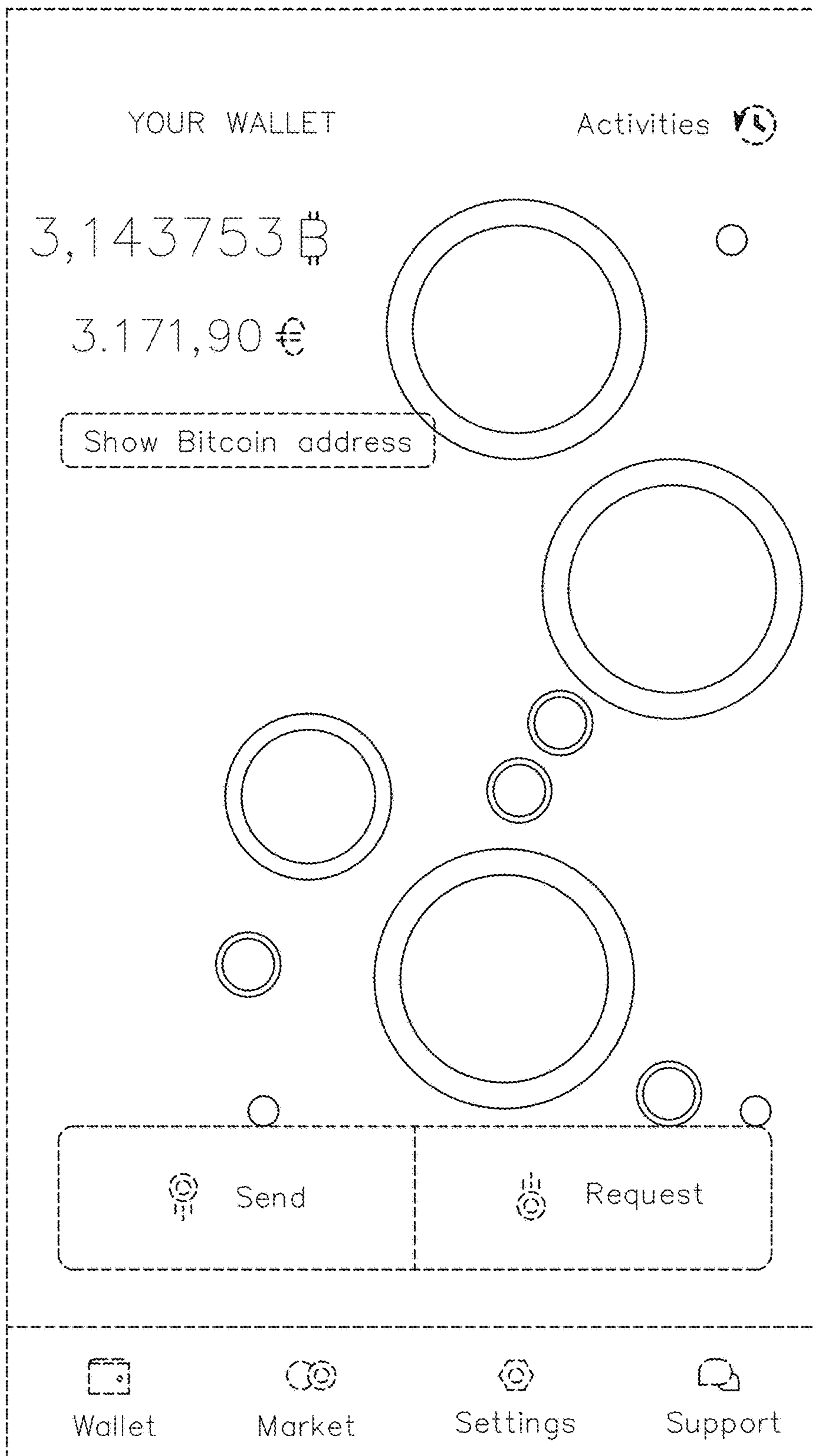


FIG. 1

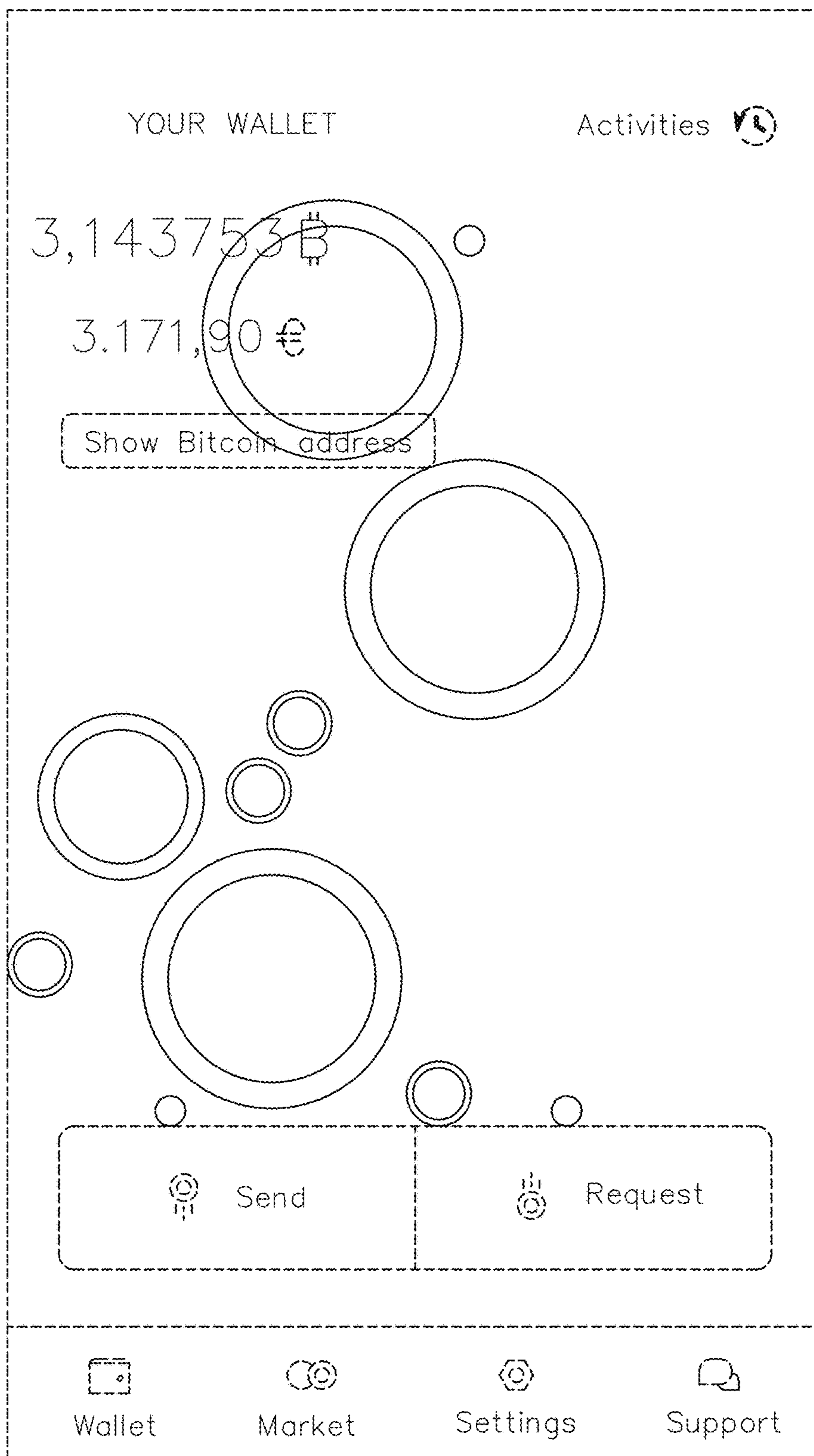


FIG. 2



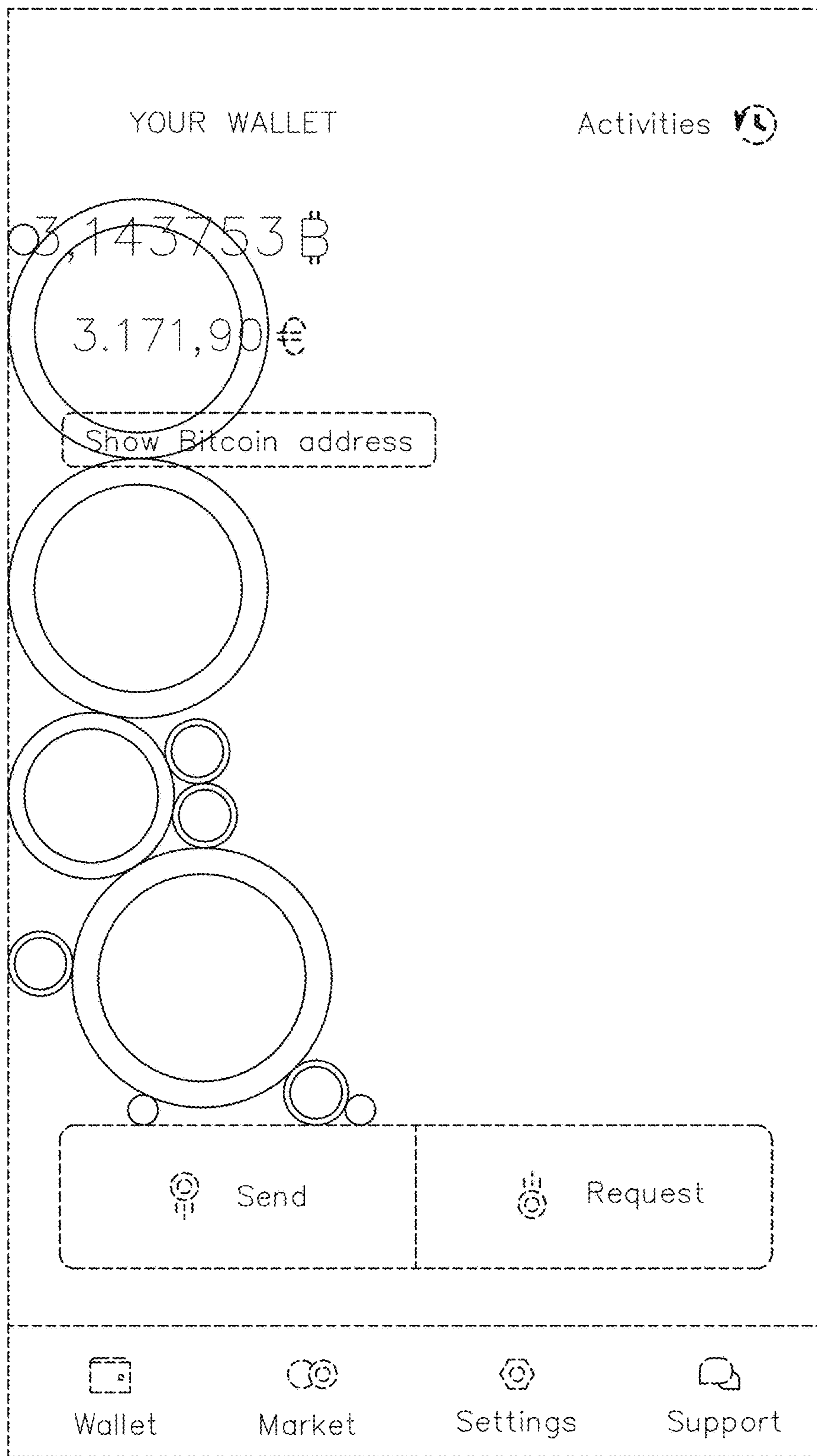


FIG. 3

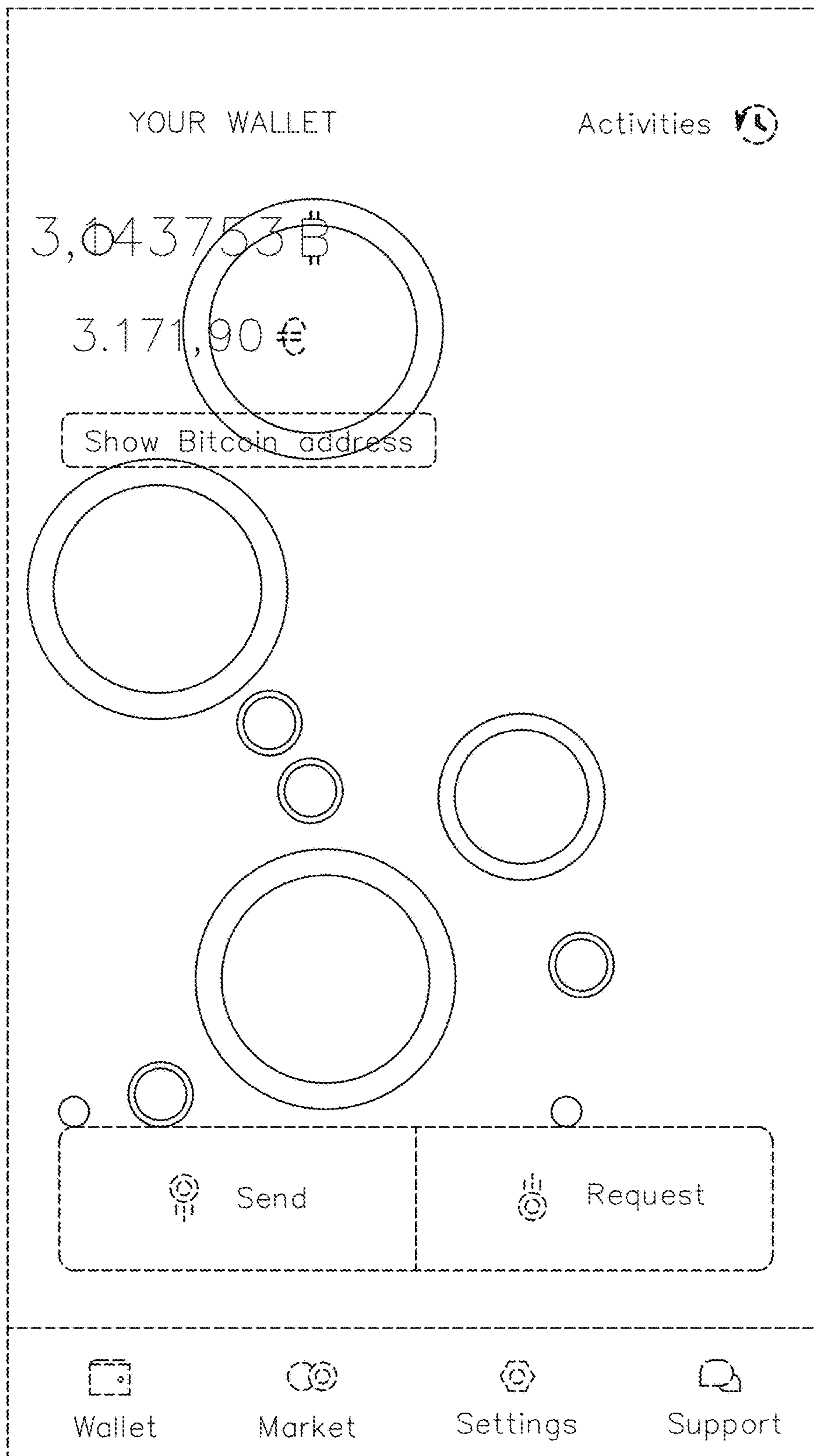


FIG. 4

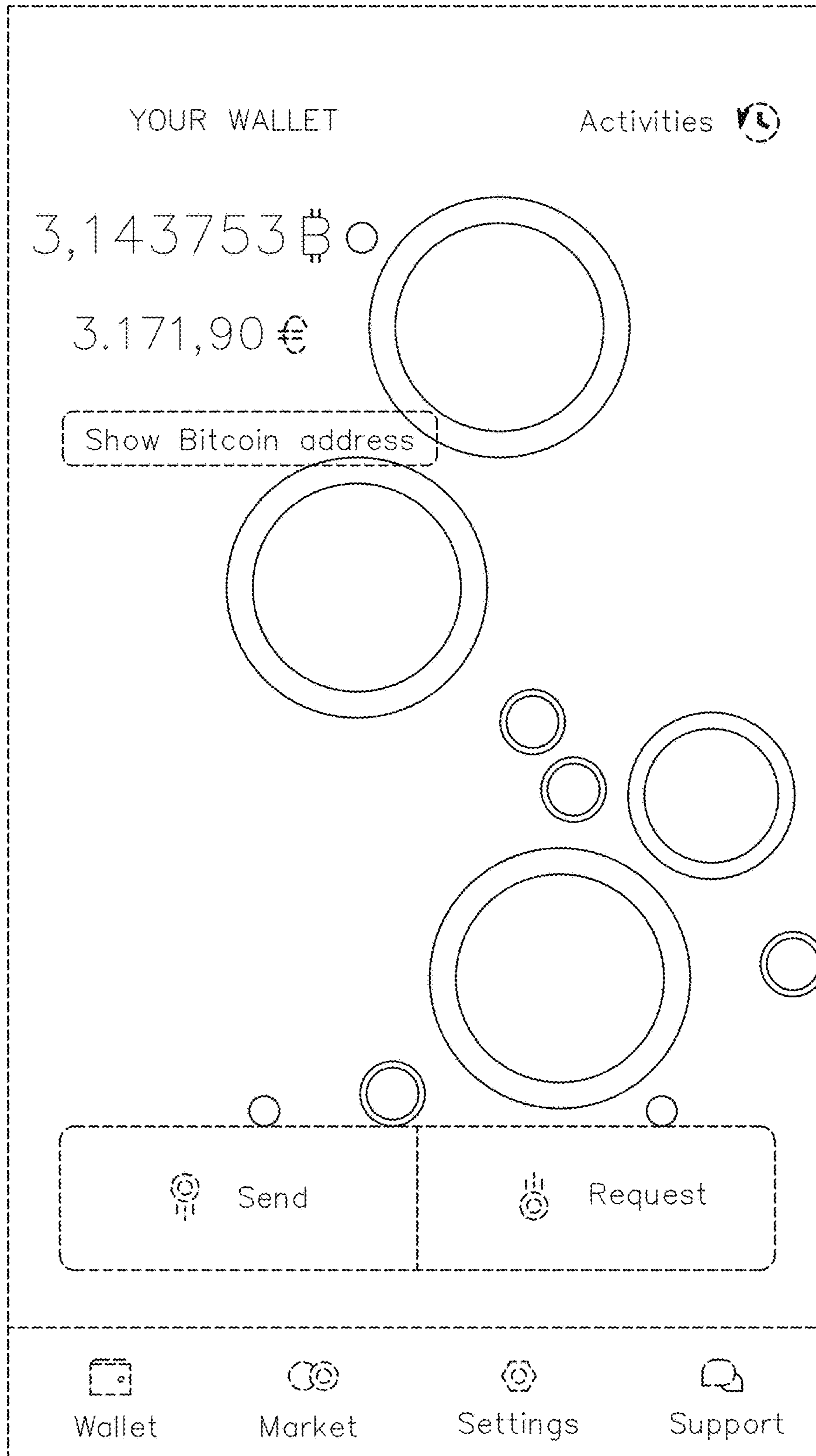


FIG. 5

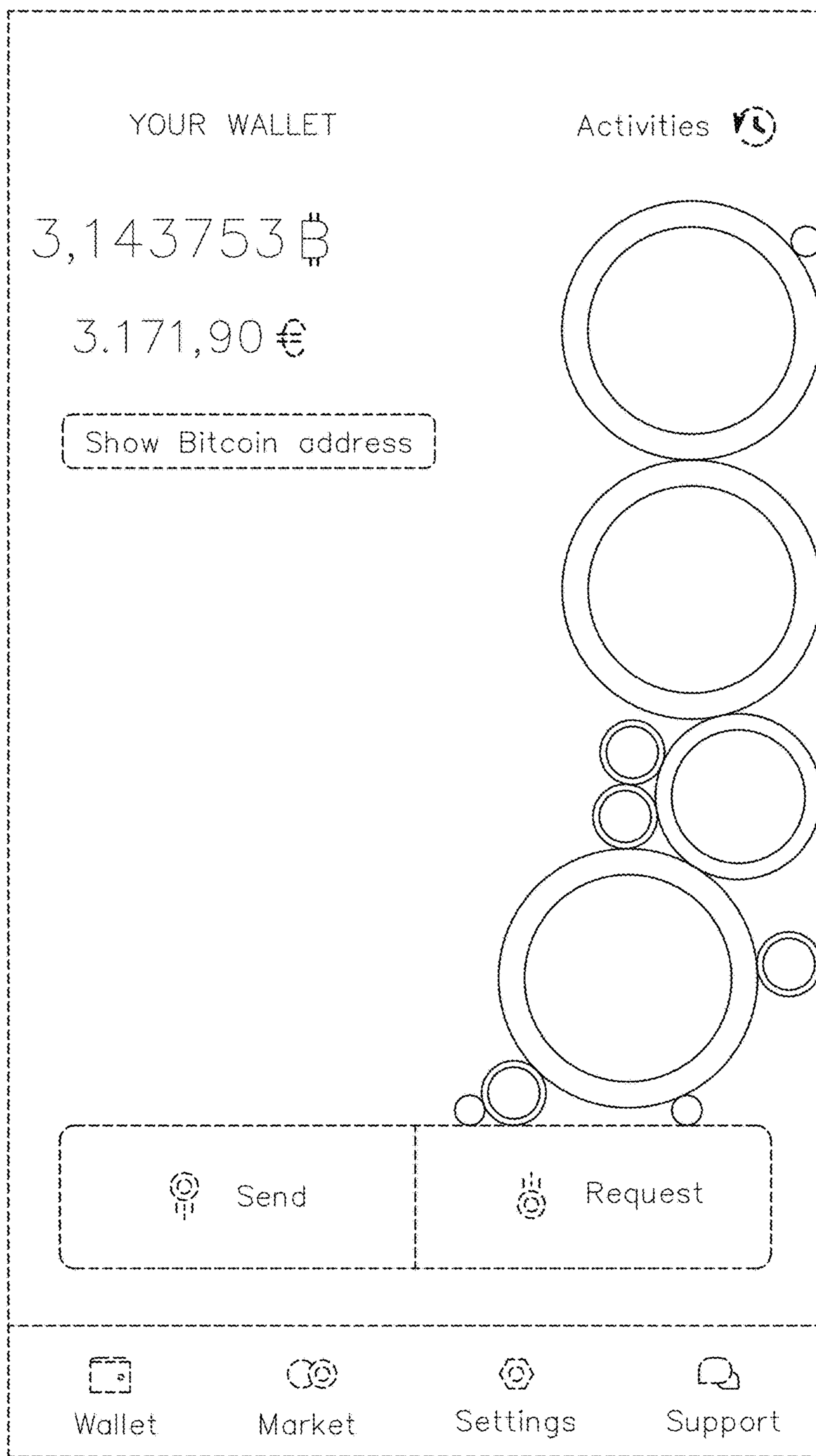


FIG. 6