

US00D824399S

(12) **United States Design Patent**
Wengreen

(10) **Patent No.:** **US D824,399 S**

(45) **Date of Patent:** **** Jul. 31, 2018**

(54) **MOUNT FOR ELECTRONIC DEVICES**

(71) Applicant: **Innovelis, Inc.**, Sammamish, WA (US)

(72) Inventor: **Eric John Wengreen**, Sammamish, WA (US)

(73) Assignee: **Innovelis, Inc.**, Sammamish, WA (US)

(**) Term: **15 Years**

(21) Appl. No.: **29/609,691**

(22) Filed: **Jul. 4, 2017**

(51) **LOC (11) Cl.** **08-07**

(52) **U.S. Cl.**
USPC **D14/447**

(58) **Field of Classification Search**
USPC D14/447, 432, 434, 439, 440, 451, 452,
D14/457, 239; D8/363, 373, 380;
D6/406.3, 406.4, 406.5, 406.6; D12/415
CPC A47B 21/04; A47B 2097/006; A47B
2097/005; A47B 2023/049; A45C
2011/002; A45C 2011/003; F16M
2200/00; F16M 13/00

See application file for complete search history.

(56) **References Cited**

U.S. PATENT DOCUMENTS

1,618,573 A	2/1927	Cole
2,584,646 A	2/1952	Wagstaff
3,091,378 A	5/1963	O'Dwyer
D196,542 S	10/1963	Zelnick
3,176,950 A	4/1965	Hittesdorf
3,279,009 A	10/1966	Teasdale
3,294,298 A	12/1966	Danielson
3,477,679 A	11/1969	Lovitz
3,990,617 A	11/1976	Carter
D242,766 S	12/1976	Neece
4,067,532 A	1/1978	Viteretto
4,158,450 A	6/1979	Suzuki
4,467,244 A	8/1984	Dickie

4,519,656 A	5/1985	Raz
D280,466 S	9/1985	Seltzer
D282,034 S	1/1986	Janke
4,602,761 A	7/1986	Carter
4,697,780 A	10/1987	Wenkman
4,746,042 A	5/1988	King
4,771,927 A	9/1988	Ventura
4,815,683 A	3/1989	Ferrante
4,825,590 A	5/1989	Cullinane
4,826,115 A	5/1989	Novitski
4,840,773 A	6/1989	Wade
4,852,843 A	8/1989	Chandler
4,974,764 A	12/1990	Cantwell
D317,157 S	5/1991	Jondelius

(Continued)

OTHER PUBLICATIONS

Apple TV, downloaded on Feb. 3, 2014 from <http://www.apple.com/appletv/what-is/>.

Primary Examiner — Angela J Lee

(57) **CLAIM**

The ornamental design for a mount for electronic devices, as shown and described.

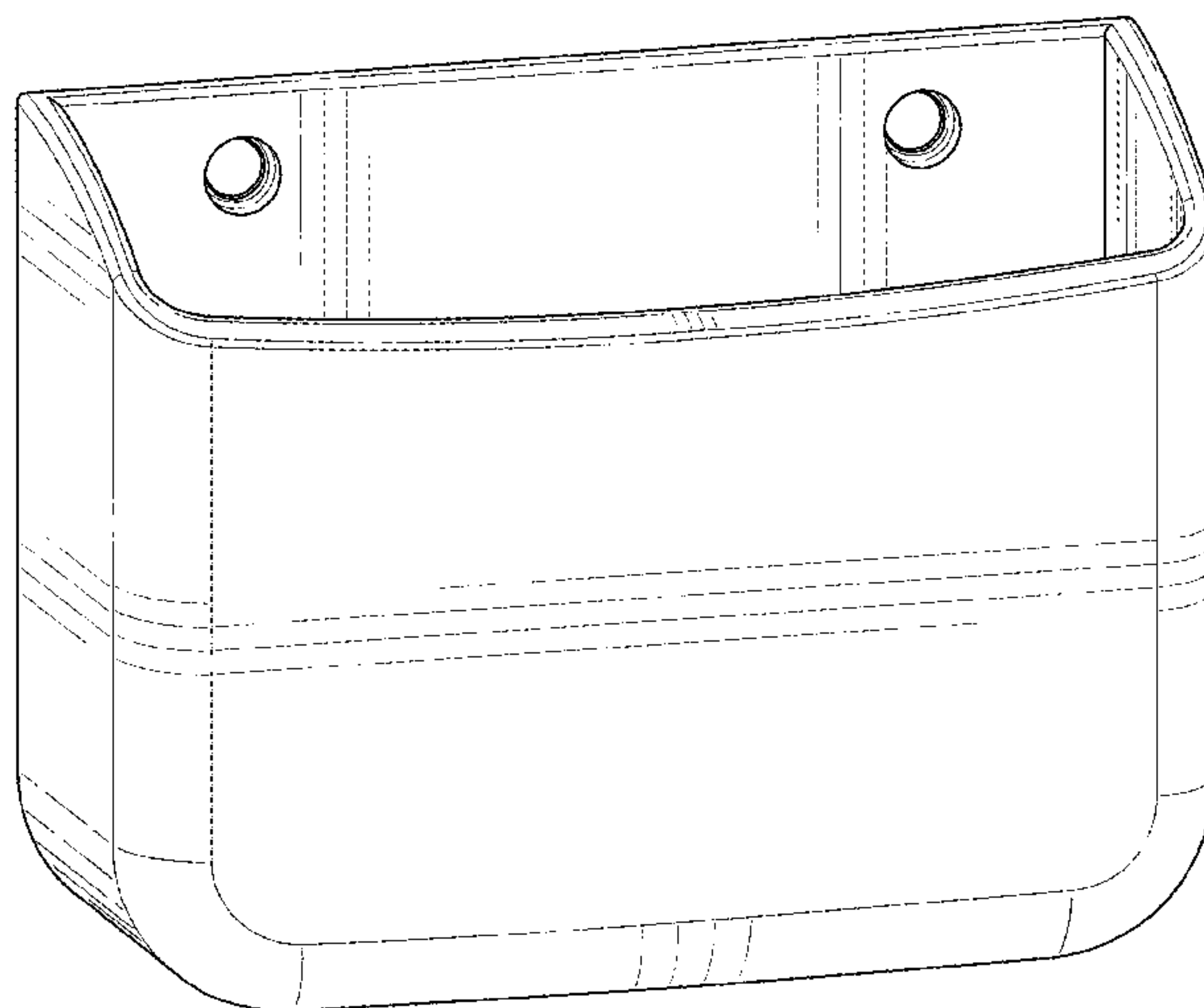
DESCRIPTION

FIG. 1 is a front, first side, and top perspective view of a mount for electronic devices embodying the new design; FIG. 2 is a back, second side, and bottom perspective view thereof;

FIG. 3 is a front view thereof; FIG. 4 is a back view thereof; FIG. 5 is a first side view thereof; FIG. 6 is a second side view thereof; FIG. 7 is a bottom view thereof; and, FIG. 8 is a top view thereof.

The uniform repeating broken lines depict portions of a mount for electronic devices in which the claimed design is embodied and form no part of the claimed design.

1 Claim, 8 Drawing Sheets



(56)

References Cited

U.S. PATENT DOCUMENTS

5,038,985	A	8/1991	Chapin		D568,889	S	5/2008	Hughes	
5,092,395	A	3/1992	Amidzich		7,367,089	B2	5/2008	Cooke	
5,227,582	A	7/1993	Velasco		D570,801	S	6/2008	Allen	
5,273,690	A	12/1993	McDowell		D586,795	S	2/2009	Richter	
5,297,318	A	3/1994	Adolphson		D596,172	S	7/2009	Ahlqvist	
D351,341	S	10/1994	Hung		D598,945	S	8/2009	Gillespie	
5,385,282	A	1/1995	Chen		7,580,255	B2	8/2009	Crooijmans	
5,400,990	A	3/1995	Frankel		D601,000	S	9/2009	Cole	
D359,616	S	6/1995	Ishibashi		D609,030	S	2/2010	Barabas	
D361,335	S	8/1995	Rudkiewicz		D610,579	S	2/2010	Behar	
D361,462	S	* 8/1995	Newham D6/567	D624,949	S	10/2010	Nakayama	
D369,465	S	5/1996	Scheid		D625,729	S	10/2010	McNames	
5,535,093	A	7/1996	Noguchi		D628,611	S	12/2010	Lewis	
D376,787	S	12/1996	Calfee		7,854,420	B2	12/2010	Depay	
5,593,124	A	1/1997	Wang		D633,503	S	3/2011	Bo	
5,619,395	A	4/1997	McBride		D639,092	S	* 6/2011	Lundy D6/513
5,619,774	A	4/1997	Perry		7,959,121	B1	6/2011	Barnes	
D385,287	S	* 10/1997	Westcott D15/89	7,980,435	B2	7/2011	Tages	
D388,107	S	12/1997	Huckins		D643,659	S	* 8/2011	Choi D6/553
D390,849	S	2/1998	Richter		D648,727	S	11/2011	Van Den Nieuwenhuizen	
5,850,998	A	12/1998	Parsey		D657,362	S	4/2012	Lister	
D407,408	S	3/1999	Hoff		D662,491	S	6/2012	Andre	
D409,079	S	5/1999	Sobczynski		D667,249	S	* 9/2012	London D6/553
5,899,371	A	5/1999	Weliver		D667,411	S	9/2012	Kim	
D411,542	S	6/1999	Richter		D669,890	S	10/2012	Hopkins	
5,914,707	A	6/1999	Kono		D672,308	S	12/2012	Cobbett	
5,961,083	A	10/1999	Hartman		8,322,584	B2	12/2012	Dethmers	
5,979,724	A	11/1999	Loewenthal		D686,629	S	7/2013	Trinh	
D420,149	S	2/2000	Hersh		D690,707	S	10/2013	Minn	
6,039,173	A	3/2000	Crow		8,544,805	B2	10/2013	Virgin	
D425,353	S	5/2000	Foy		D695,748	S	12/2013	Morris	
D426,041	S	* 5/2000	Boghossian D34/6	D700,832	S	3/2014	Ng	
6,073,901	A	6/2000	Richter		D705,229	S	5/2014	Wengreen	
6,102,660	A	8/2000	Lee		D710,340	S	8/2014	Wengreen	
6,105,923	A	8/2000	Robertson		D710,363	S	8/2014	Wengreen	
D431,250	S	9/2000	Richter		D710,836	S	8/2014	Wengreen	
6,163,997	A	12/2000	Deralas		D712,394	S	9/2014	Booth	
6,193,546	B1	2/2001	Sadler		D712,906	S	9/2014	Wengreen	
D443,493	S	6/2001	Skeem		D713,395	S	9/2014	Godycki	
6,275,885	B1	8/2001	Chin		D713,399	S	9/2014	Green	
6,336,615	B1	1/2002	Jeon		8,847,549	B2	9/2014	Graham	
D456,024	S	4/2002	Richter		8,848,113	B2	9/2014	Wengreen	
D456,413	S	4/2002	Malson		D714,793	S	10/2014	Kim	
6,445,290	B1	9/2002	Fingal		D716,580	S	11/2014	Wengreen	
6,485,144	B1	11/2002	Liao		D717,307	S	11/2014	Chun	
D471,547	S	3/2003	Ruohonen		D717,804	S	11/2014	Budge	
6,554,527	B1	4/2003	O'Donnell		8,896,768	B1	11/2014	Wengreen	
6,560,983	B1	5/2003	Schimmeyer		8,934,060	B1	1/2015	Wengreen	
6,691,374	B2	2/2004	Coyne		8,934,061	B1	1/2015	Wengreen	
6,888,940	B1	5/2005	Deppen		8,939,417	B1	1/2015	Wengreen	
D508,605	S	8/2005	Shih-Ming		D723,042	S	2/2015	Lee	
6,939,641	B2	9/2005	Kincaid		8,988,616	B2	3/2015	Wengreen	
6,983,126	B1	1/2006	Saalman		D729,544	S	* 5/2015	Wengreen D6/567
D518,704	S	4/2006	Miao		D732,939	S	6/2015	Cannaverde	
7,047,601	B1	5/2006	Vernon-Woods		D733,105	S	6/2015	Wengreen	
7,067,737	B2	6/2006	Mallen		D733,542	S	7/2015	Cannaverde	
7,079,384	B2	7/2006	Wang		D733,691	S	7/2015	Wengreen	
7,080,764	B2	7/2006	McNicholas		D734,305	S	7/2015	Wengreen	
7,113,218	B2	9/2006	Battles		D735,174	S	7/2015	Wengreen	
D529,713	S	10/2006	Guyot		D739,410	S	9/2015	Chun	
D529,905	S	10/2006	Richter		9,131,195	B2	9/2015	Wengreen	
D530,713	S	10/2006	Richter		D742,387	S	11/2015	Xiang	
D533,175	S	12/2006	Richter		9,185,953	B2	11/2015	Whitten	
7,145,603	B2	12/2006	Whitby		D746,599	S	1/2016	Olson	
D535,826	S	1/2007	Toghanian		D749,549	S	2/2016	Wengreen	
D536,239	S	2/2007	Tallman		D749,597	S	2/2016	Wengreen	
7,222,762	B2	5/2007	Rees		D750,633	S	3/2016	Minn	
D545,343	S	6/2007	Braun		D751,563	S	3/2016	Wengreen	
D547,863	S	7/2007	Heinsch		D752,415	S	3/2016	Lu	
D551,008	S	9/2007	Hidalgo		9,339,112	B2	5/2016	Wengreen	
D553,352	S	10/2007	Allen		D759,005	S	6/2016	Murakami	
D557,266	S	12/2007	Hughes		D761,236	S	7/2016	Wengreen	
D560,411	S	1/2008	Chung		D763,666	S	8/2016	Wengreen	
D564,529	S	3/2008	Hughes		D763,835	S	8/2016	Wengreen	
D565,399	S	4/2008	Grey		D765,063	S	8/2016	Wengreen	
					D765,064	S	8/2016	Wengreen	
					D765,646	S	9/2016	Deng	
					D765,651	S	9/2016	Liu	
					D767,377	S	9/2016	Sekula	

(56)

References Cited

U.S. PATENT DOCUMENTS

D770,171 S 11/2016 Lai
 D772,217 S 11/2016 Alesi
 D777,167 S 1/2017 Wengreen
 9,543,082 B1 1/2017 Wengreen
 D779,466 S 2/2017 Wengreen
 9,578,960 B1 2/2017 Kuan-Yen
 D795,820 S 8/2017 Wengreen
 D797,546 S * 9/2017 Saideh D8/354
 D797,750 S * 9/2017 Wengreen D14/447
 D798,305 S * 9/2017 Wengreen D14/447
 D798,306 S * 9/2017 Wengreen D14/447
 2005/0023419 A1 2/2005 Frankel
 2005/0211861 A1 9/2005 Lee
 2005/0236541 A1 10/2005 Chang
 2006/0224575 A1 10/2006 Ostojic
 2007/0097617 A1 5/2007 Searby
 2007/0235609 A1 10/2007 Chun
 2007/0264169 A1 11/2007 Chen
 2008/0078793 A1 4/2008 Brown
 2009/0218454 A1 9/2009 Stanley
 2009/0296997 A1 12/2009 Rocheford

2010/0270190 A1 10/2010 Howard
 2010/0281671 A1 11/2010 De Vaan
 2010/0288895 A1 11/2010 Shamie
 2010/0314277 A1 12/2010 Murray
 2011/0242439 A1 10/2011 Calderon
 2012/0126081 A1 5/2012 Wengreen
 2012/0127379 A1 5/2012 Wengreen
 2012/0168516 A1 7/2012 Bolger
 2012/0280014 A1 11/2012 Lopez-Apodaca
 2012/0312950 A1 12/2012 Sears
 2014/0061406 A1 3/2014 Chevalier
 2014/0103179 A1 4/2014 Lipke
 2014/0241705 A1 8/2014 Wengreen
 2015/0070835 A1 3/2015 McLean
 2015/0212544 A1 7/2015 Chen
 2015/0305502 A1 10/2015 Wengreen
 2016/0007735 A1 1/2016 Gallup
 2016/0119458 A1 4/2016 Gunther
 2016/0120295 A1 5/2016 Rowley
 2016/0218535 A1 7/2016 Prete
 2016/0234955 A1 8/2016 Wengreen
 2016/0241289 A1 8/2016 Wieth
 2017/0150620 A1 5/2017 Wengreen
 2017/0208945 A1 7/2017 Wengreen

* cited by examiner

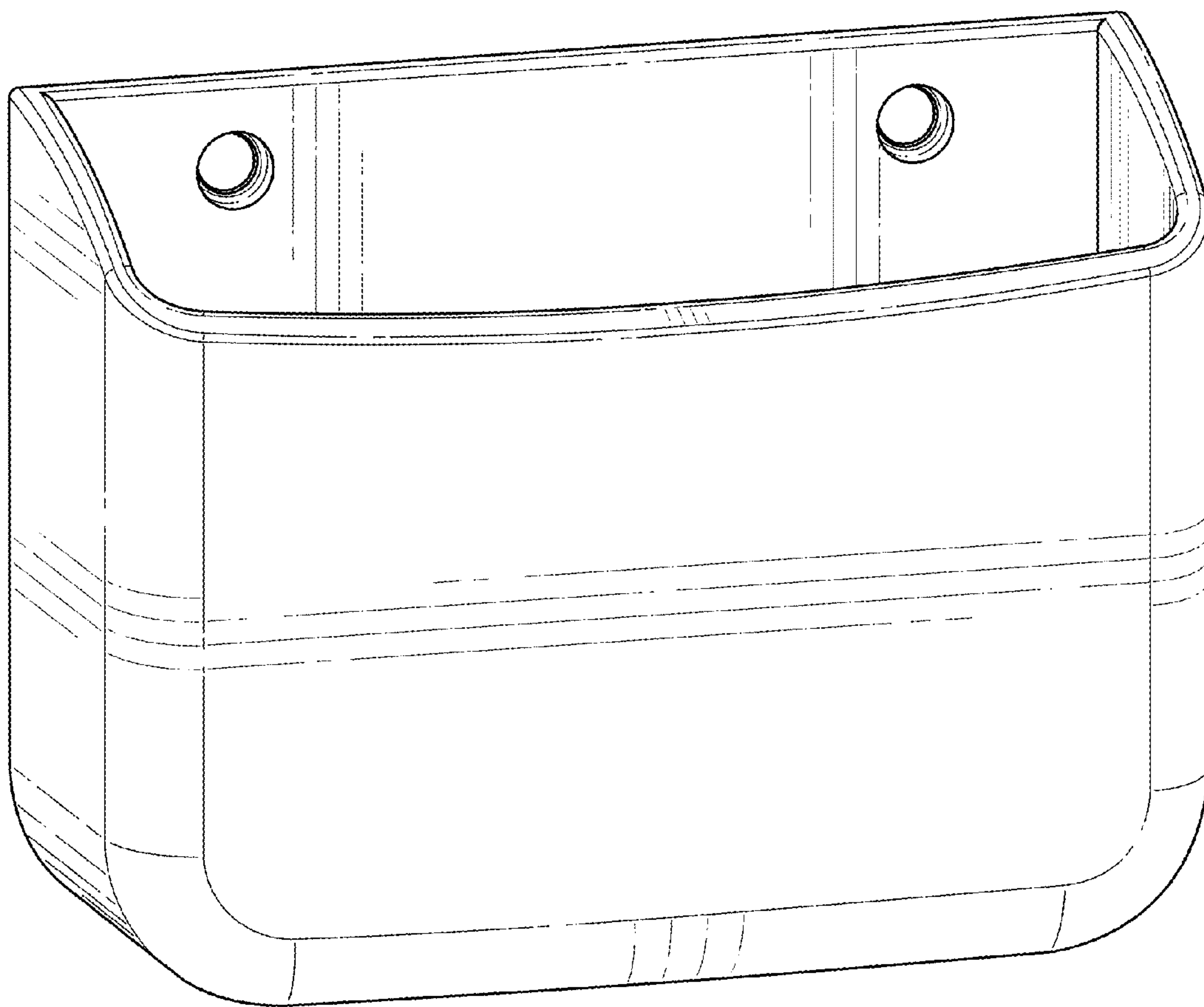


FIG. 1

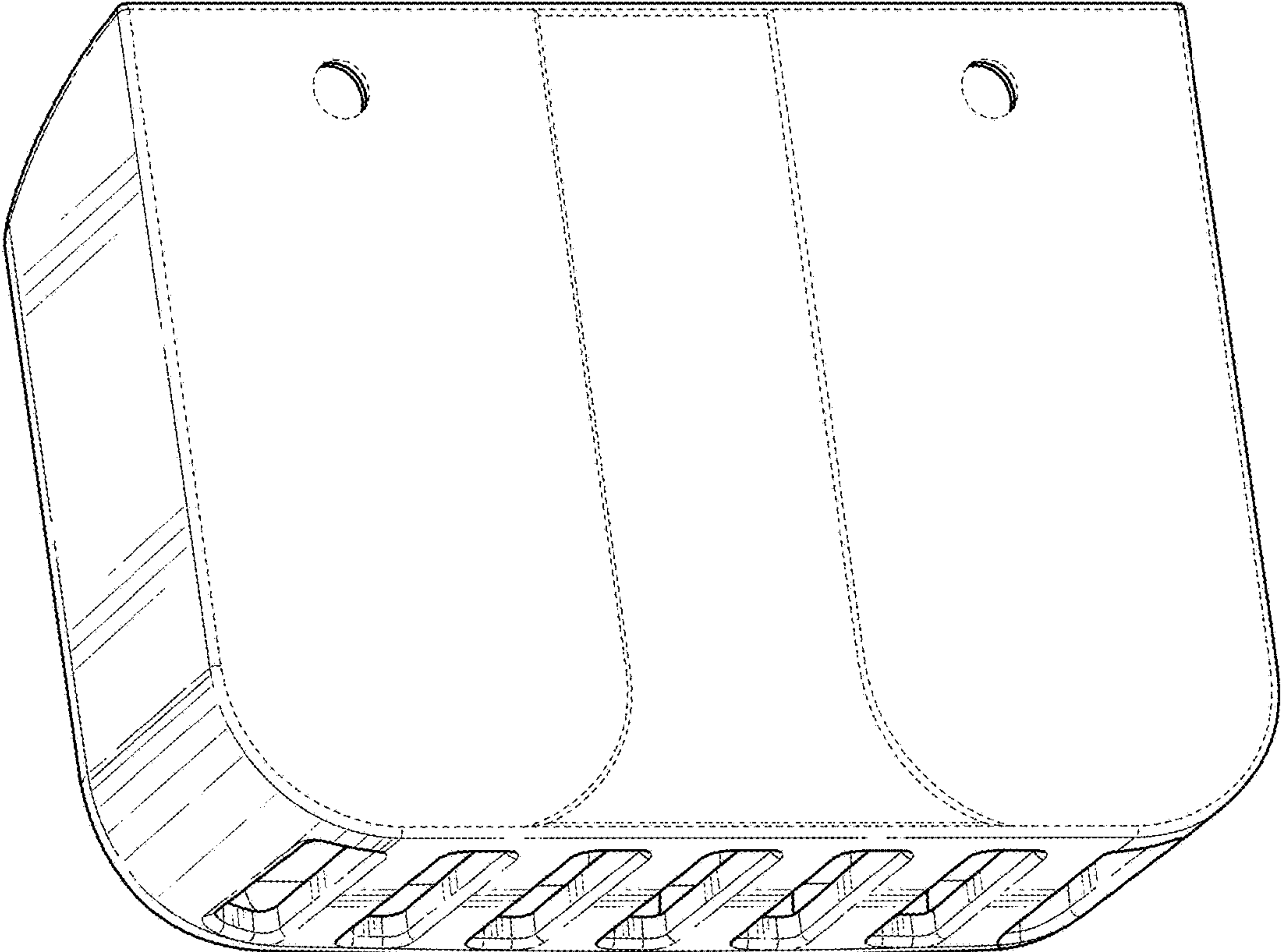


FIG. 2

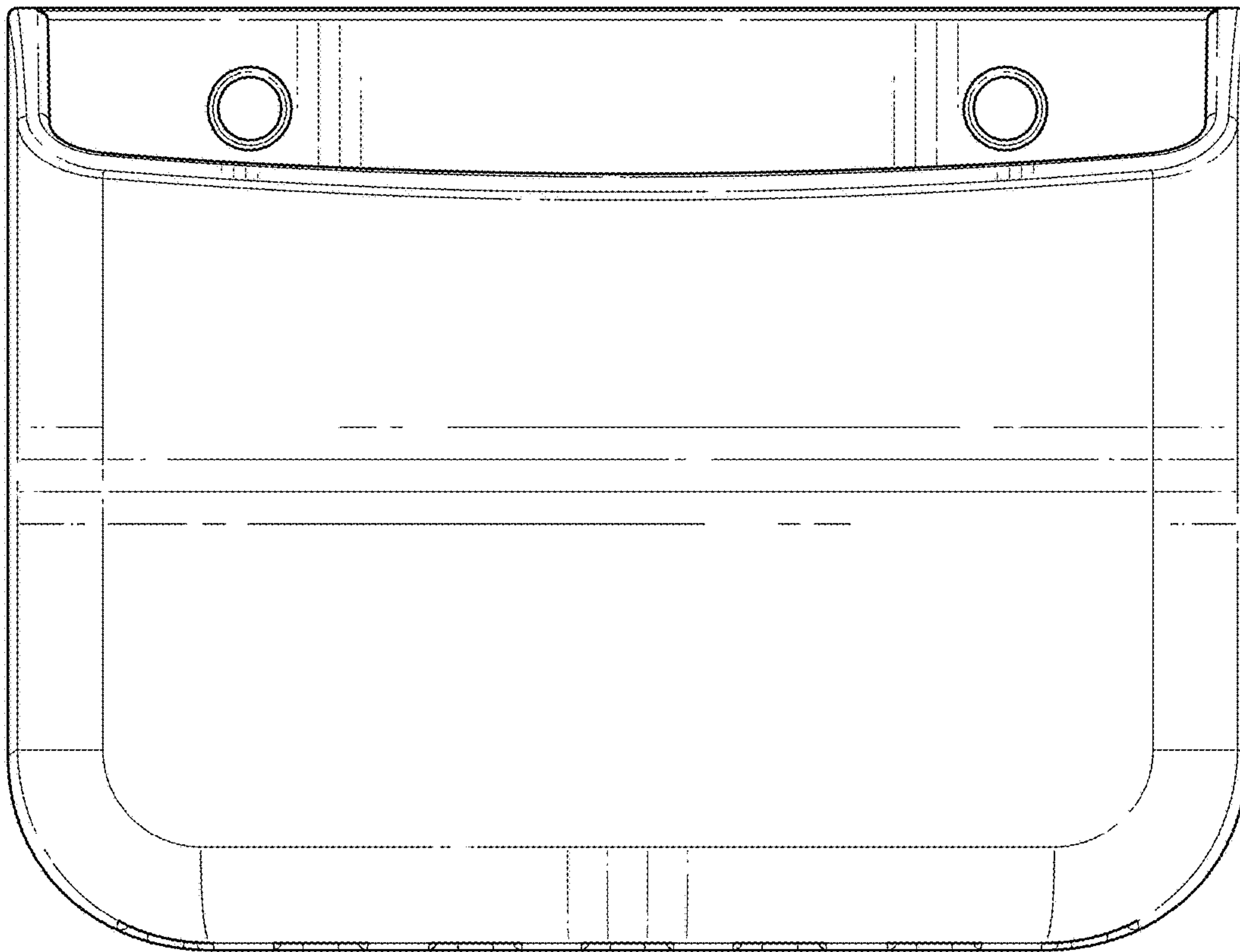


FIG. 3

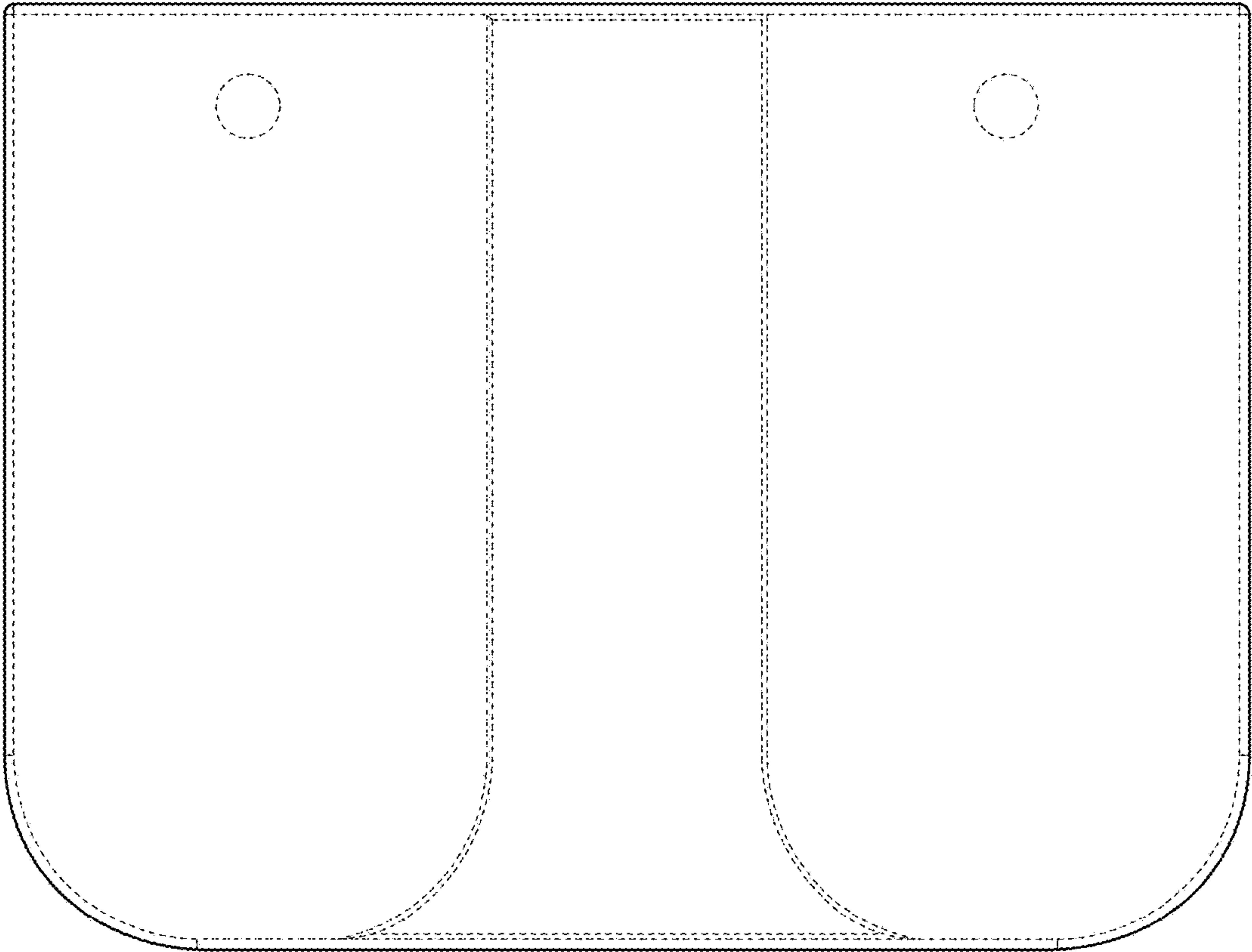


FIG. 4

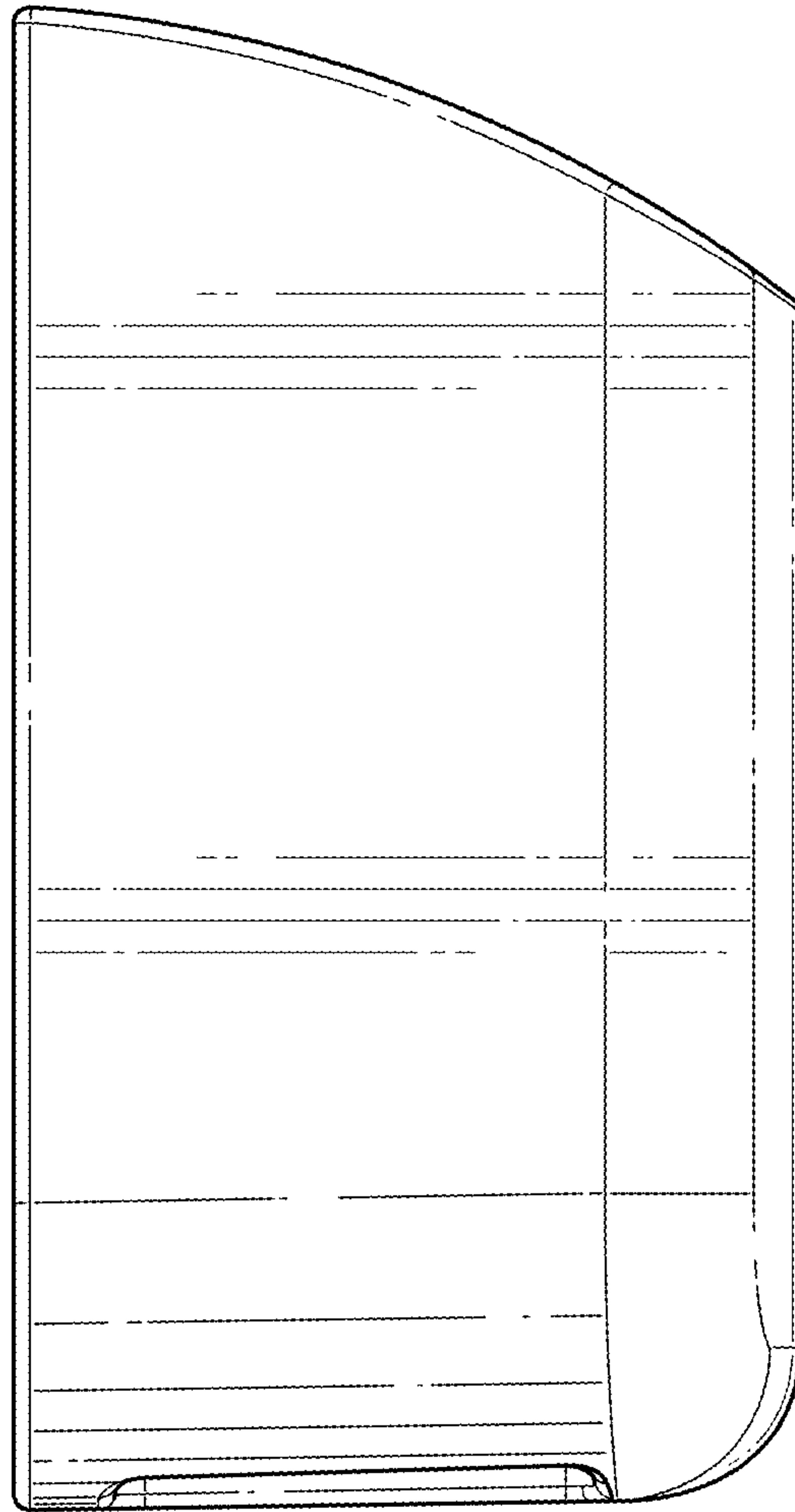


FIG. 5

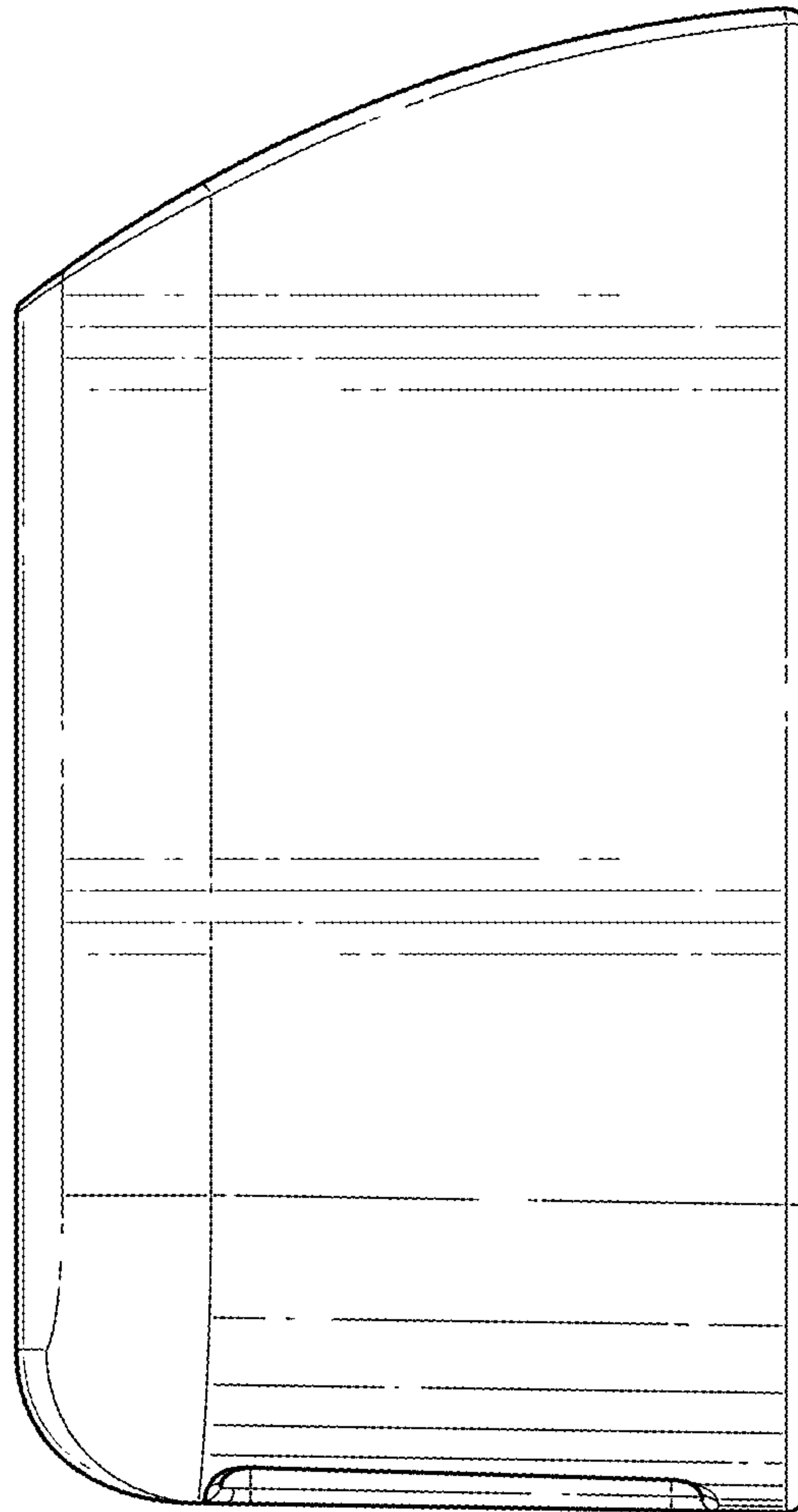


FIG. 6

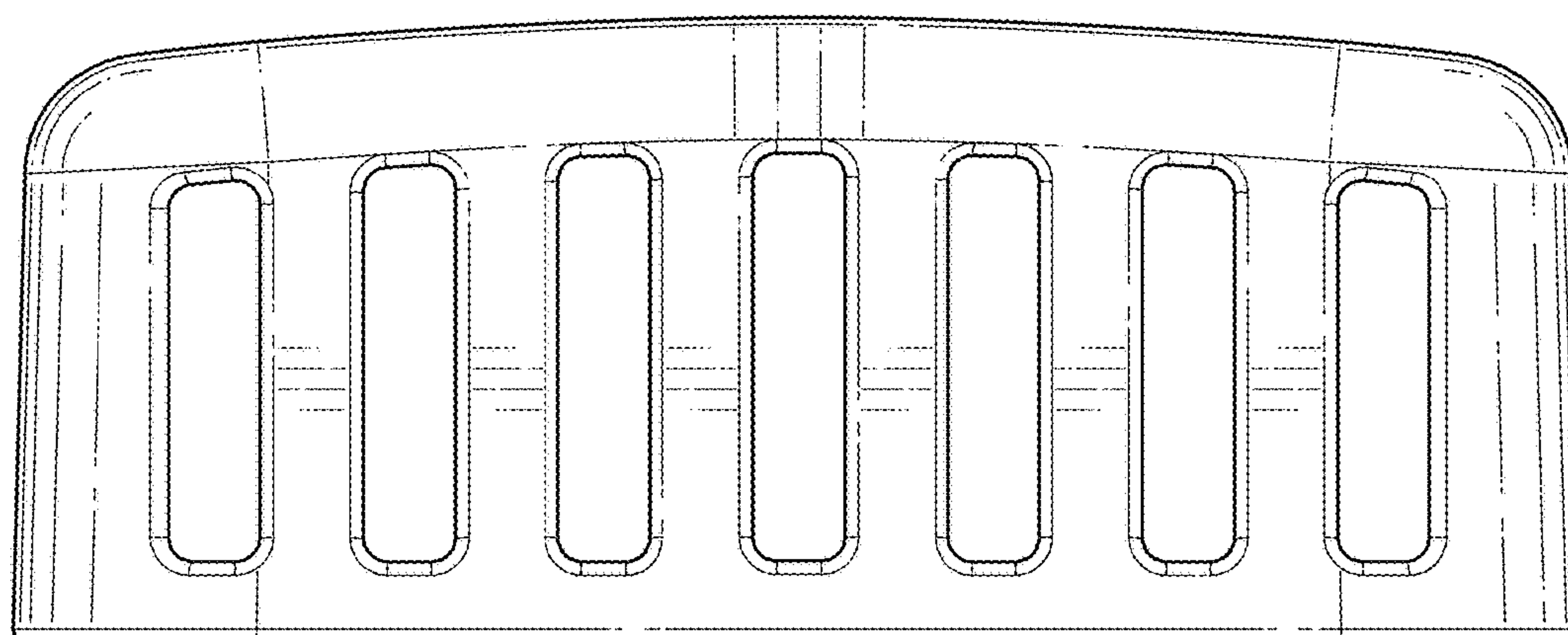


FIG. 7

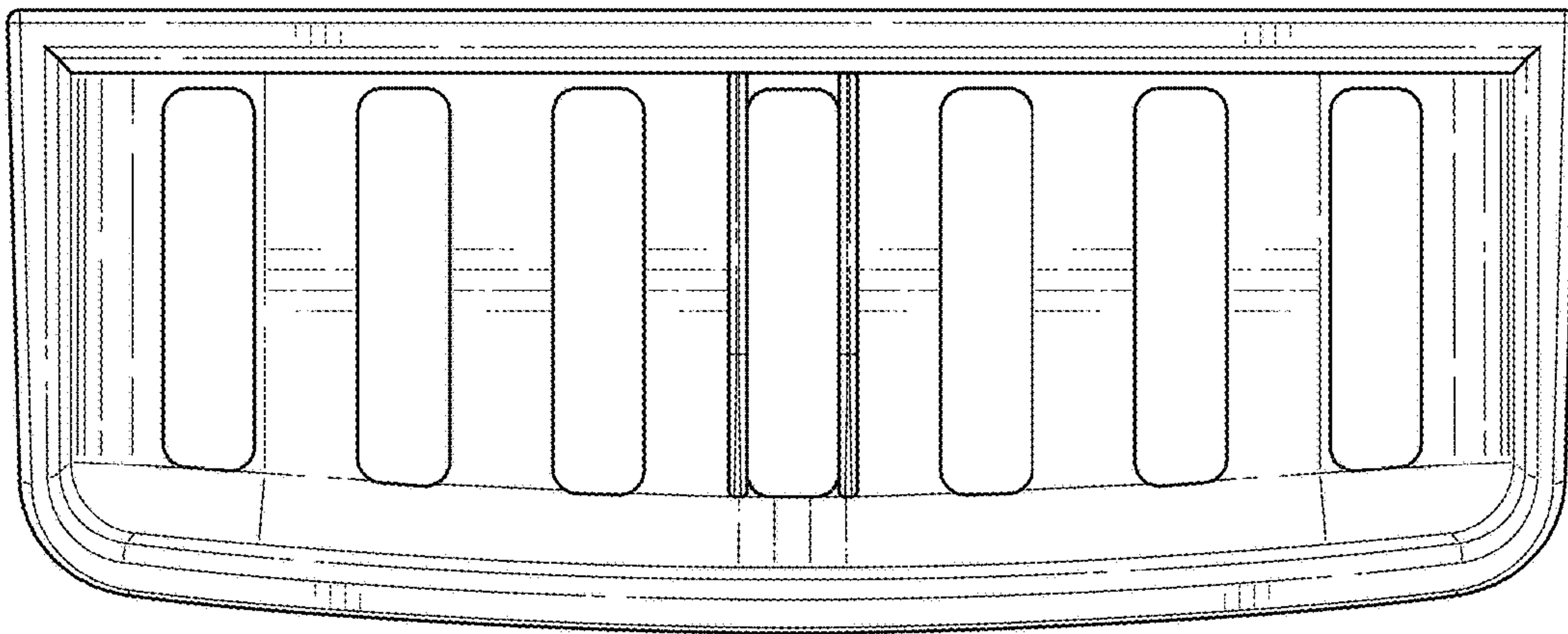


FIG. 8