



US00D824396S

(12) **United States Design Patent** (10) **Patent No.:** **US D824,396 S**
Charlesworth et al. (45) **Date of Patent:** **** Jul. 31, 2018**

(54) **TABLET CASE BACK**
(71) Applicant: **Mobile Tech, Inc.**, Lake Oswego, OR (US)
(72) Inventors: **Eric Charlesworth**, Forest Grove, OR (US); **Peter Schuft**, Portland, OR (US)
(73) Assignee: **MOBILE TECH, INC.**, Lake Oswego, OR (US)
(**) Term: **15 Years**
(21) Appl. No.: **29/632,745**
(22) Filed: **Jan. 9, 2018**

D674,803 S * 1/2013 Westrup A45C 3/02
D14/440
D678,293 S * 3/2013 Meehan D14/440
D687,440 S * 8/2013 Shieh D14/447
D695,298 S * 12/2013 Han D14/440
D704,194 S * 5/2014 Young D14/440
D717,804 S * 11/2014 Budge D14/447
D718,316 S * 11/2014 Veltz D14/440
D719,144 S * 12/2014 Eulette D14/250
D725,119 S * 3/2015 Gaylord D14/440
D726,732 S * 4/2015 Lay D14/440
9,229,494 B2 * 1/2016 Rayner G06F 1/163
D748,634 S * 2/2016 Hofer D14/440
D757,731 S * 5/2016 Nguyen D14/440
D766,247 S * 9/2016 Burmester D14/440
D795,263 S * 8/2017 Fujioka D14/440
D798,302 S * 9/2017 Burmester D14/440
9,847,806 B1 * 12/2017 Dickie H04B 1/3888

(Continued)

Related U.S. Application Data

(63) Continuation of application No. 29/604,812, filed on May 19, 2017.
(51) **LOC (11) Cl.** **14-02**
(52) **U.S. Cl.**
USPC **D14/440**
(58) **Field of Classification Search**
USPC D14/440, 42, 300, 447, 250; 206/45.23, 206/320, 45.2; 361/679.55; 294/25; 224/218
CPC G06F 1/1628; G06F 1/1626; G06F 1/1669; A47B 23/044; H04B 1/3888
See application file for complete search history.

Primary Examiner — Cynthia R Underwood

(74) *Attorney, Agent, or Firm* — Thompson Coburn LLP

(57) **CLAIM**

The ornamental design for a tablet case back, as shown and described.

DESCRIPTION

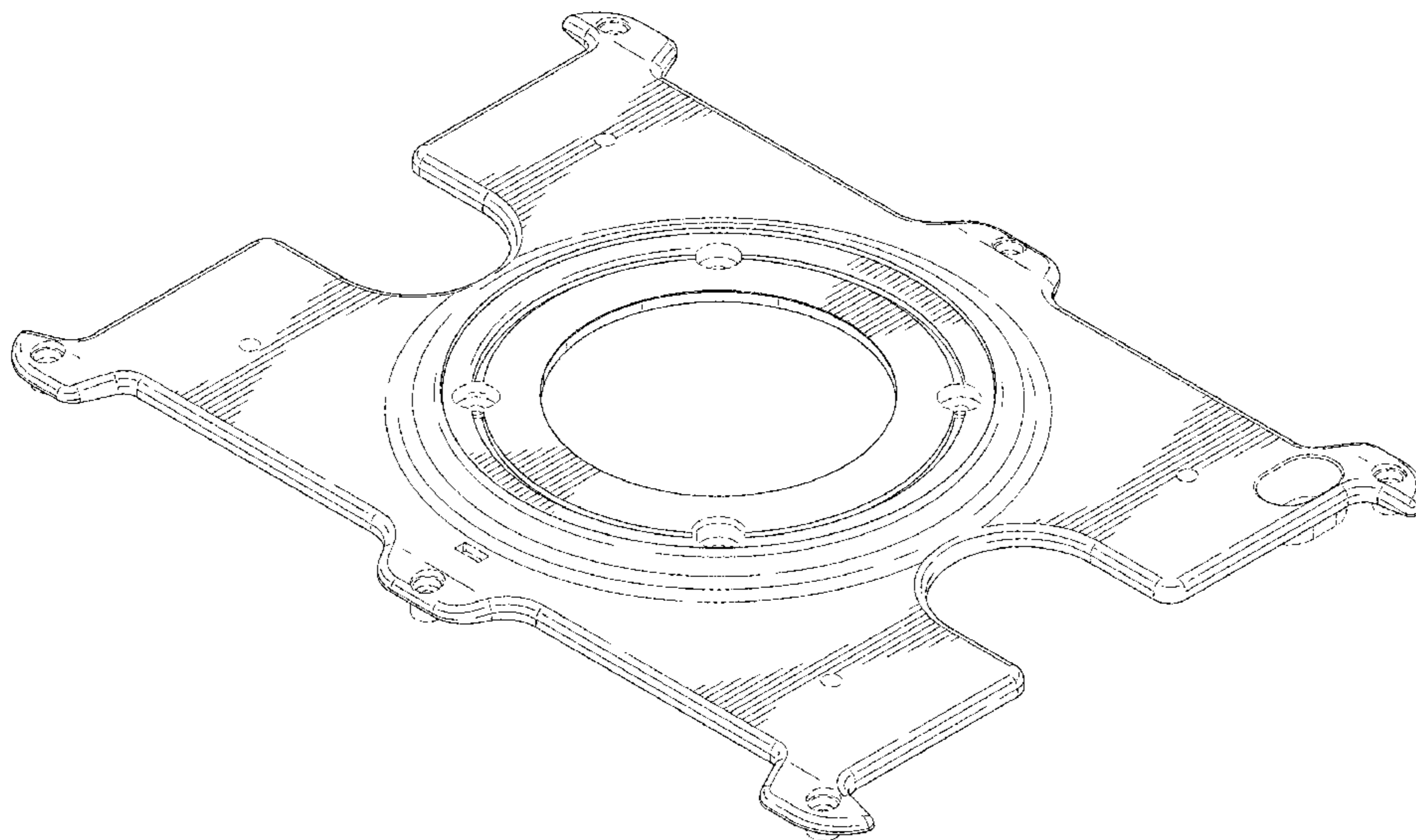
FIG. 1 is a front, top perspective view showing an embodiment of a tablet case back.
FIG. 2 is a front elevational view of FIG. 1;
FIG. 3 is a rear elevational view of FIG. 1;
FIG. 4 is a right elevational view of FIG. 1;
FIG. 5 is a left elevational view of FIG. 1;
FIG. 6 is a top plan view of FIG. 1; and,
FIG. 7 is a bottom plan view of FIG. 1.
The broken lines immediately adjacent the shaded areas represent the bounds of the claimed design while all other broken lines are directed to environment and are for illustrative purposes only; the broken lines form no part of the claimed design.

(56) **References Cited**

U.S. PATENT DOCUMENTS

D635,555 S * 4/2011 Giles D14/217
D641,756 S * 7/2011 Hsieh D14/440
D651,606 S * 1/2012 Luijben D14/250
D661,646 S * 6/2012 Son D13/108
D668,660 S * 10/2012 Norfolk D14/440
D670,702 S * 11/2012 Zhang D14/440

1 Claim, 5 Drawing Sheets



(56)

References Cited

U.S. PATENT DOCUMENTS

2003/0222149 A1* 12/2003 Solomon G06F 1/1669
235/472.01
2012/0043247 A1* 2/2012 Westrup A45C 3/02
206/472
2012/0193496 A1* 8/2012 Li F16M 11/041
248/316.1
2015/0156900 A1* 6/2015 Yeh H04B 1/3888
312/223.1
2016/0135560 A1* 5/2016 Yeh H04M 1/185
224/581

* cited by examiner

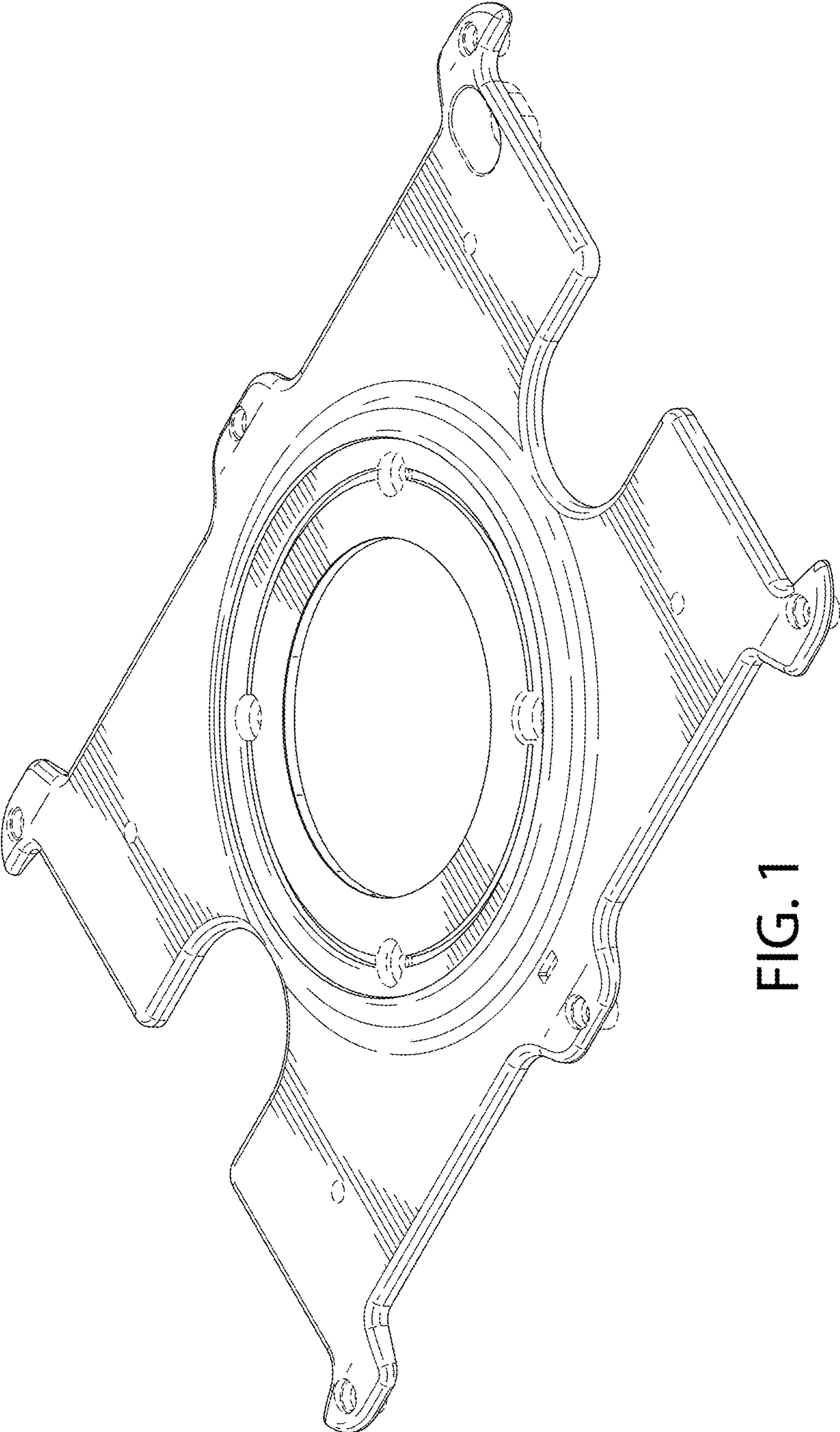


FIG. 1

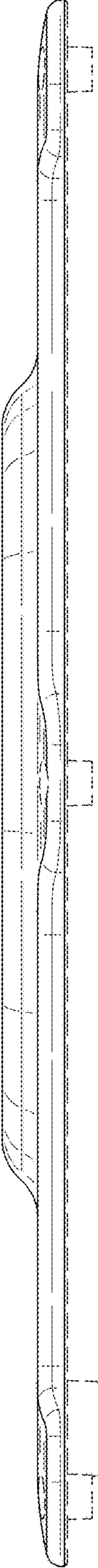


FIG. 2

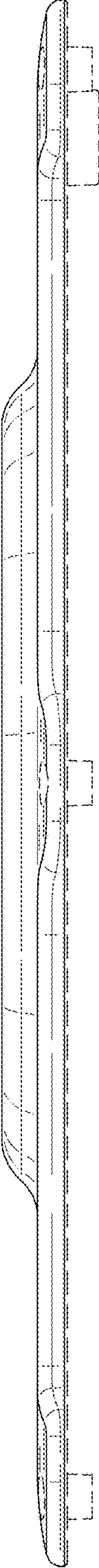


FIG. 3

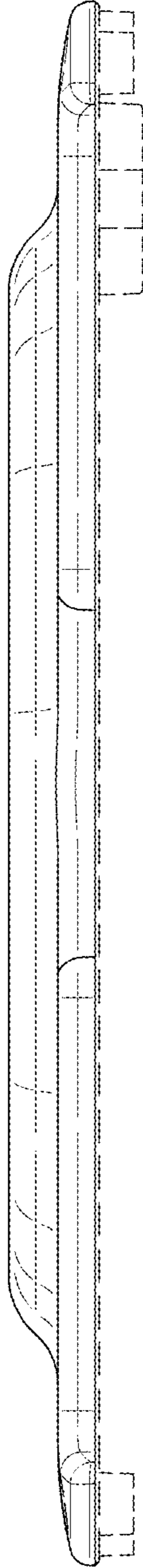


FIG. 4

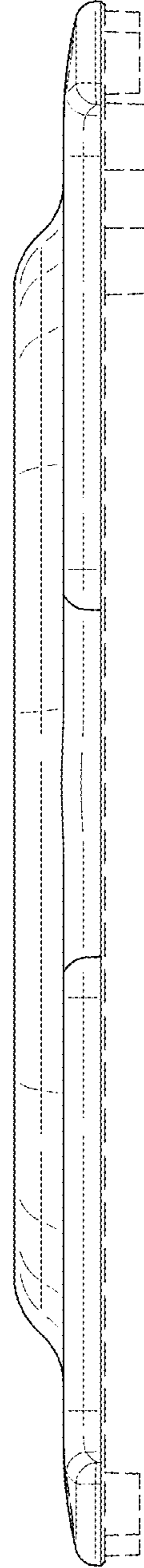


FIG. 5

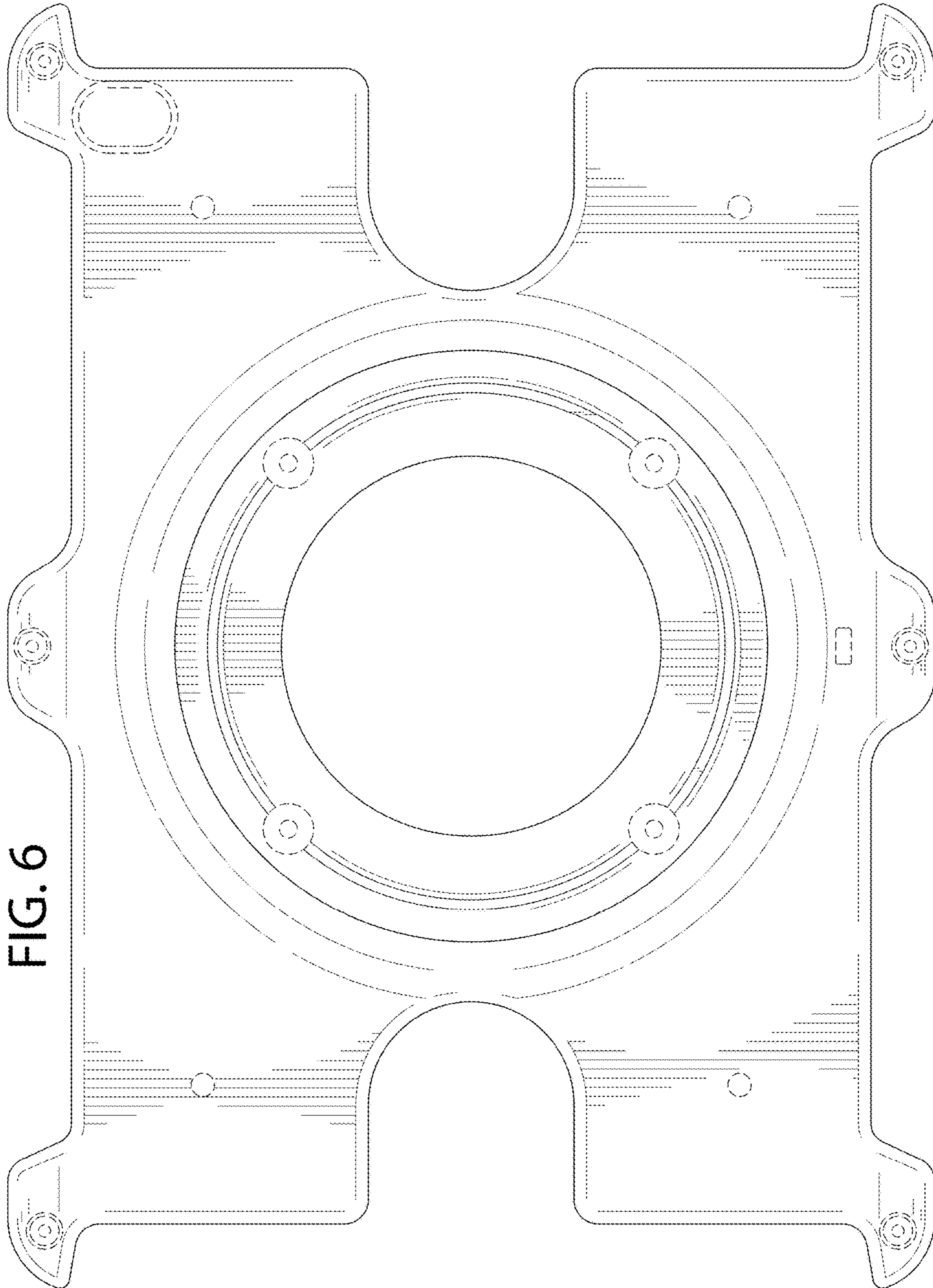


FIG. 6

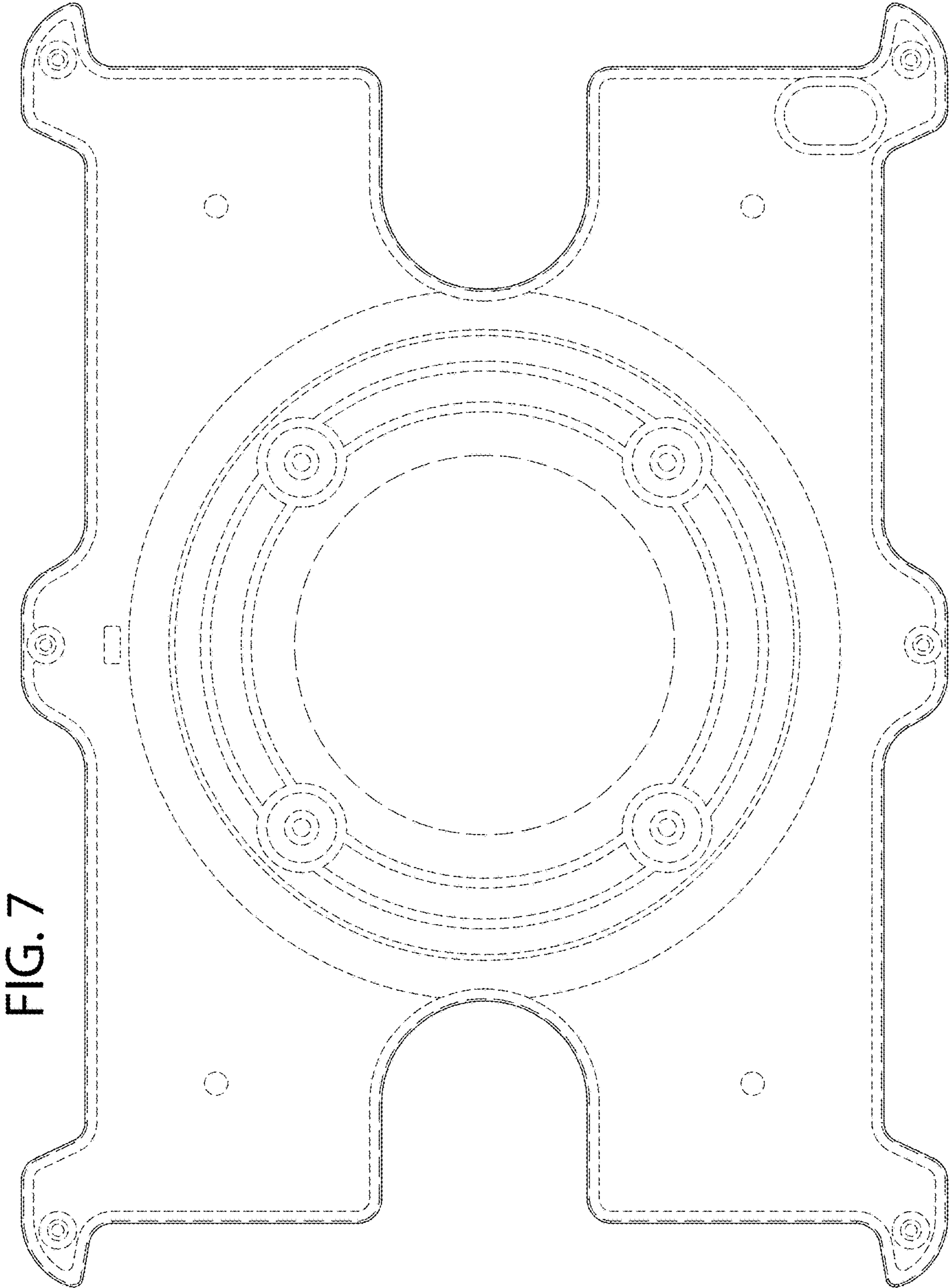


FIG. 7