



US00D824393S

(12) **United States Design Patent**
Charlesworth et al.

(10) **Patent No.:** **US D824,393 S**
(45) **Date of Patent:** **** Jul. 31, 2018**

(54) **TABLET CASE**

(71) Applicant: **Mobile Tech, Inc.**, Lake Oswego, OR (US)

(72) Inventors: **Eric Charlesworth**, Hillsboro, OR (US); **Peter Schuft**, Hillsboro, OR (US)

(73) Assignee: **MOBILE TECH, INC.**, Lake Oswego, OR (US)

(**) Term: **15 Years**

(21) Appl. No.: **29/632,672**

(22) Filed: **Jan. 9, 2018**

(51) **LOC (11) Cl.** **14-02**

(52) **U.S. Cl.**
USPC **D14/440**

(58) **Field of Classification Search**
USPC D14/440, 42, 300, 447, 250; 206/45.23, 206/320, 45.2; 361/679.55; 294/25; 224/218
CPC G06F 1/1628; G06F 1/1626; G06F 1/1669; A47B 23/044; H04B 1/3888

See application file for complete search history.

(56) **References Cited**

U.S. PATENT DOCUMENTS

D635,555 S *	4/2011	Giles	D14/217
D641,756 S *	7/2011	Hsieh	D14/440
D651,606 S *	1/2012	Luijben	D14/250
D661,646 S *	6/2012	Son	D13/108
D668,660 S *	10/2012	Norfolk	D14/440
D670,702 S *	11/2012	Zhang	D14/440
D674,803 S *	1/2013	Westrup	A45C 3/02
				D14/440
D678,293 S *	3/2013	Meehan	D14/440
D687,440 S *	8/2013	Shieh	D14/447
D695,298 S *	12/2013	Han	D14/440
D704,194 S *	5/2014	Young	D14/440

D717,804 S *	11/2014	Budge	D14/447
D718,316 S *	11/2014	Veltz	D14/440
D719,144 S *	12/2014	Eulette	D14/250
D725,119 S *	3/2015	Gaylord	D14/440
D726,732 S *	4/2015	Lay	D14/440
9,229,494 B2 *	1/2016	Rayner	G06F 1/163
D748,634 S *	2/2016	Hofer	D14/440
D757,731 S *	5/2016	Nguyen	D14/440
D766,247 S *	9/2016	Burmester	D14/440
D795,263 S *	8/2017	Fujioka	D14/440
D798,302 S *	9/2017	Burmester	D14/440
9,847,806 B1 *	12/2017	Dickie	H04B 1/3888
2003/0222149 A1 *	12/2003	Solomon	G06F 1/1669
				235/472.01
2012/0043247 A1 *	2/2012	Westrup	A45C 3/02
				206/472
2012/0193496 A1 *	8/2012	Li	F16M 11/041
				248/316.1
2015/0156900 A1 *	6/2015	Yeh	H04B 1/3888
				312/223.1

(Continued)

Primary Examiner — Cynthia R Underwood

(74) *Attorney, Agent, or Firm* — Thompson Coburn LLP

(57) **CLAIM**

The ornamental design for a tablet case, as shown and described.

DESCRIPTION

FIG. 1 is a rear perspective view showing our new tablet case;

FIG. 2 is a top elevational view of FIG. 1;

FIG. 3 is a bottom elevational view of FIG. 1;

FIG. 4 is a right elevational view of FIG. 1;

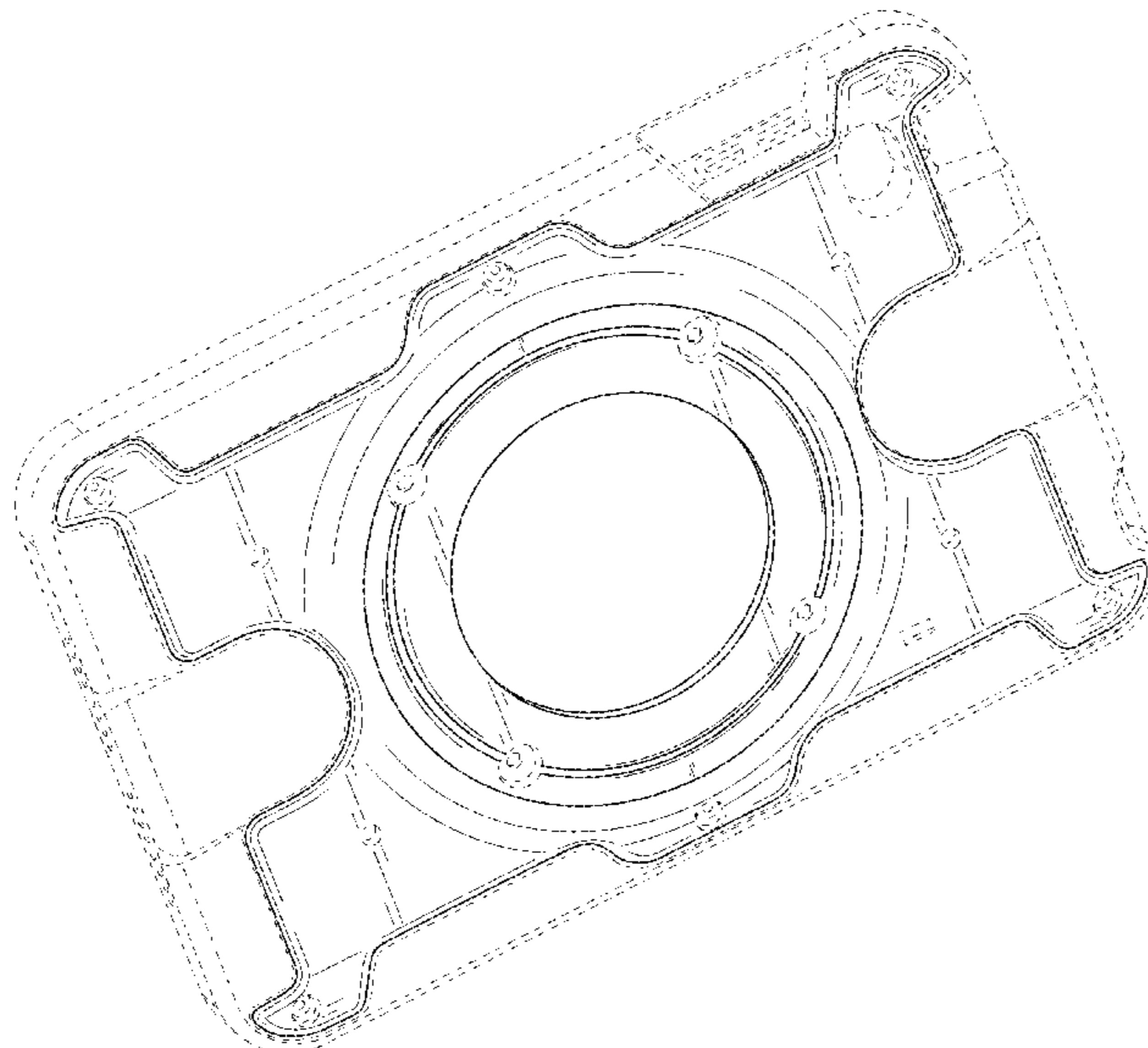
FIG. 5 is a left elevational view of FIG. 1;

FIG. 6 is a front plan view of FIG. 1; and,

FIG. 7 is a rear plan view of FIG. 1.

The broken lines are directed to environment and are for illustrative purposes only; the broken lines form no part of the claimed design.

1 Claim, 5 Drawing Sheets



(56)

References Cited

U.S. PATENT DOCUMENTS

2016/0135560 A1* 5/2016 Yeh H04M 1/185
224/581

* cited by examiner

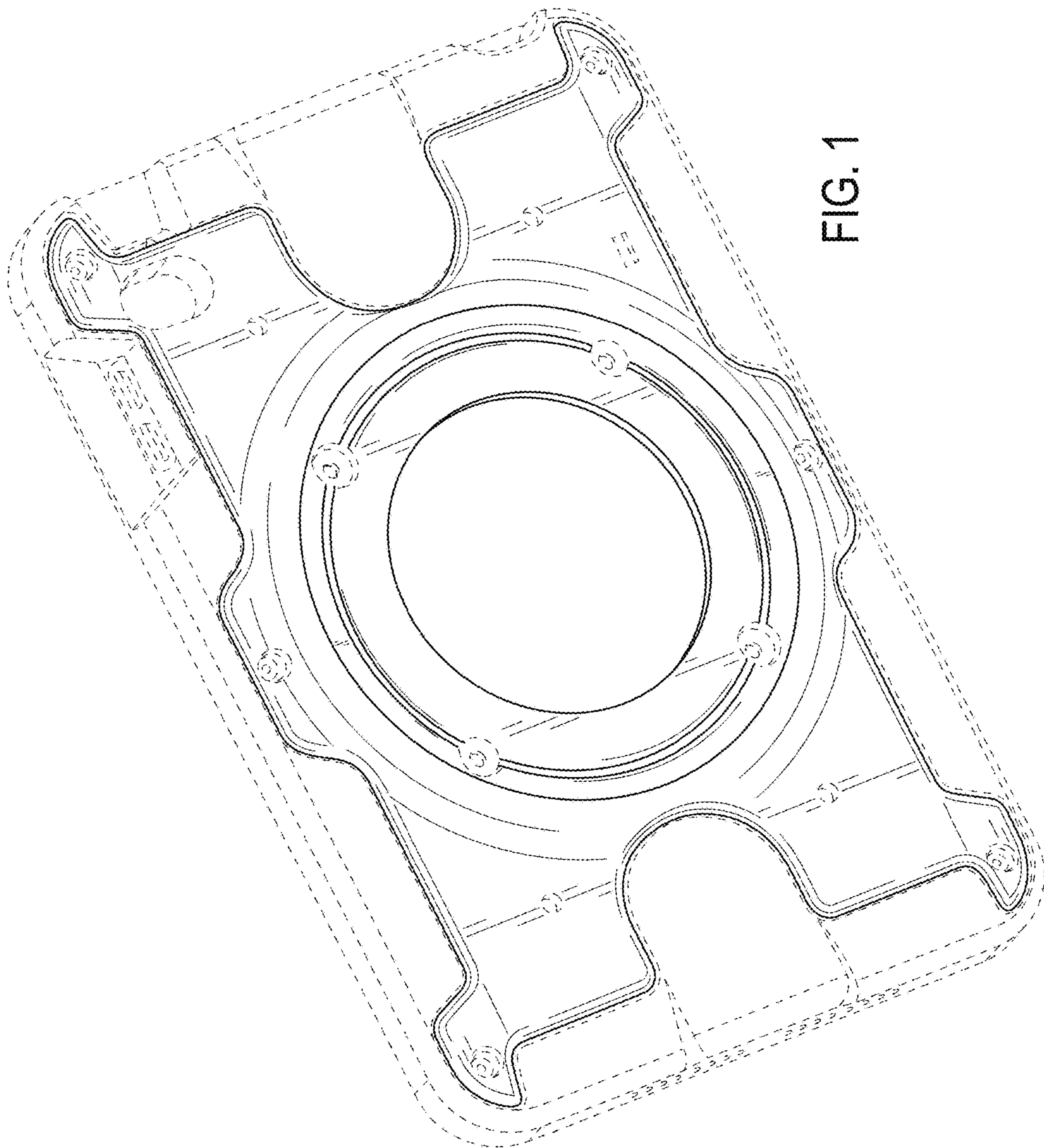


FIG. 1

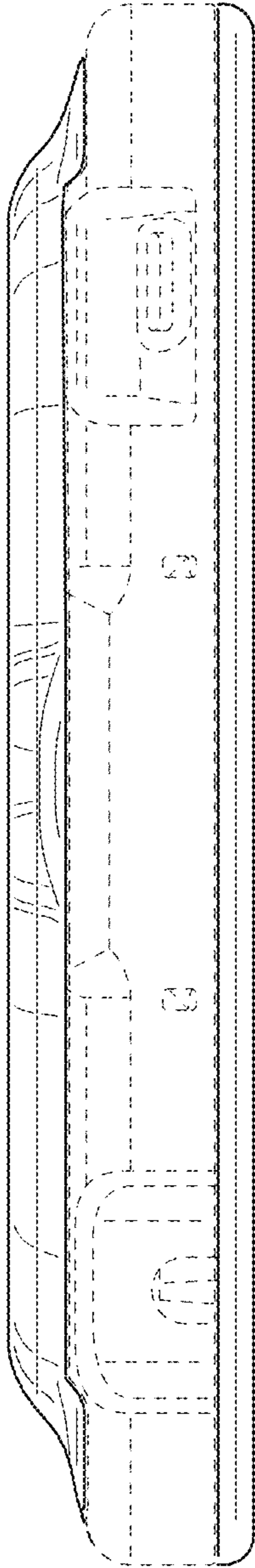


FIG. 2

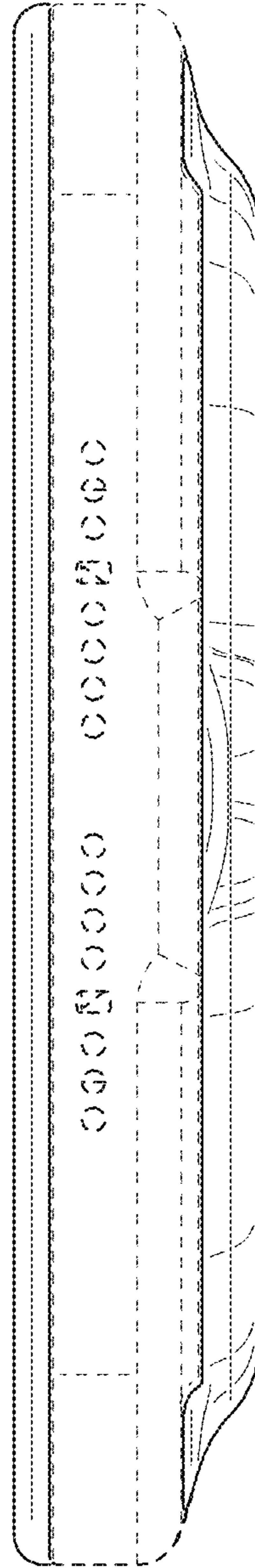


FIG. 3

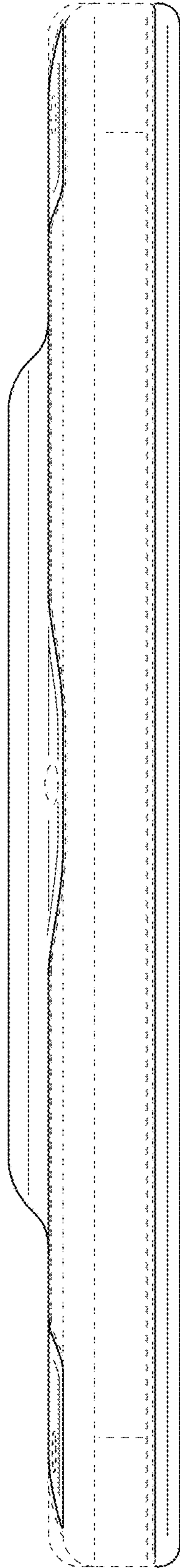


FIG. 4

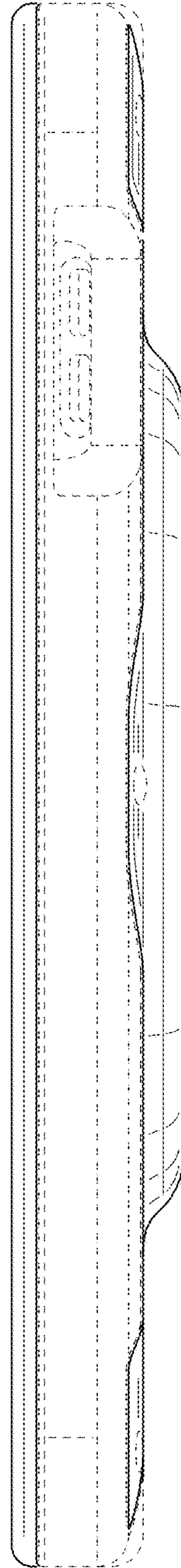


FIG. 5

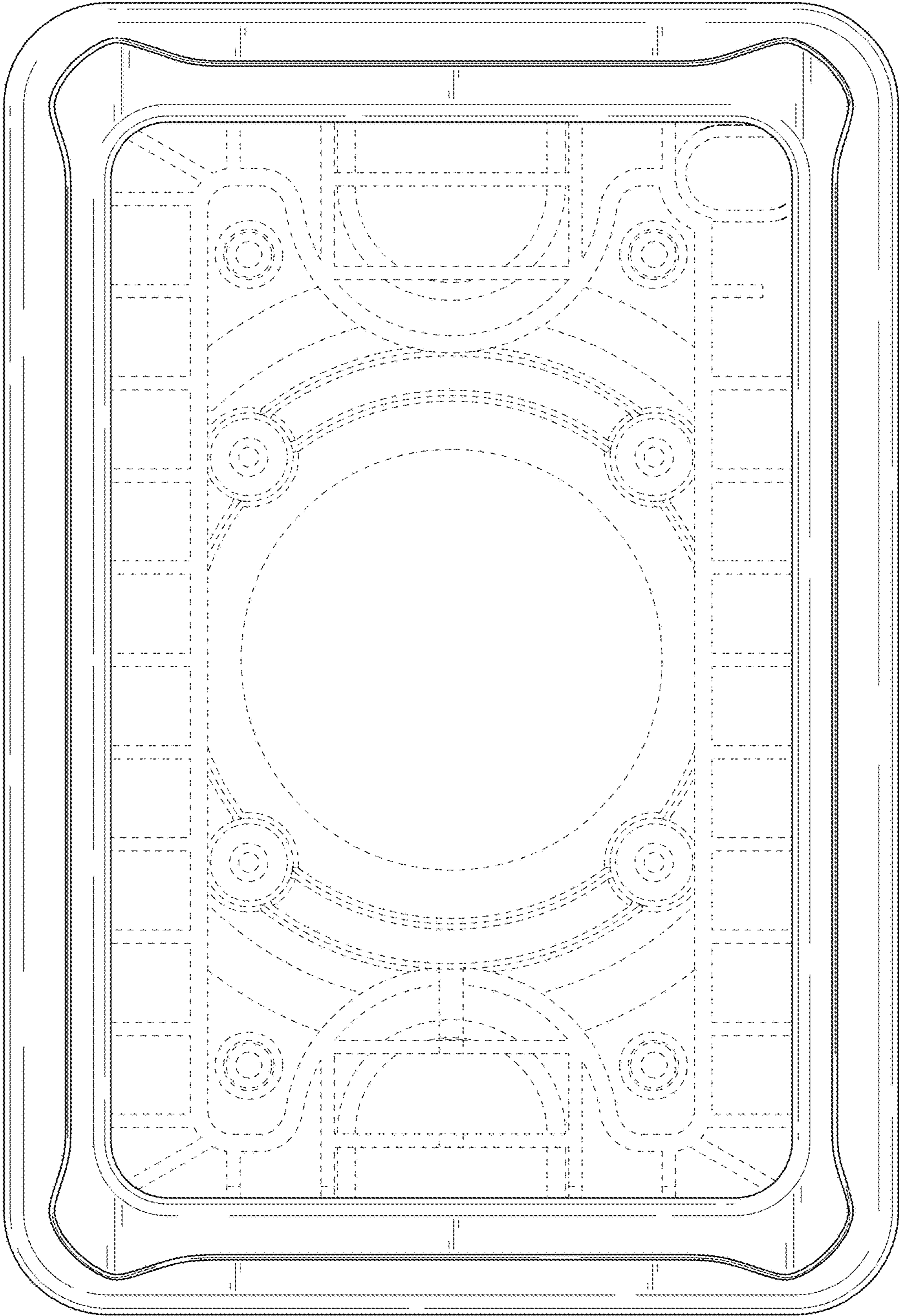


FIG. 6

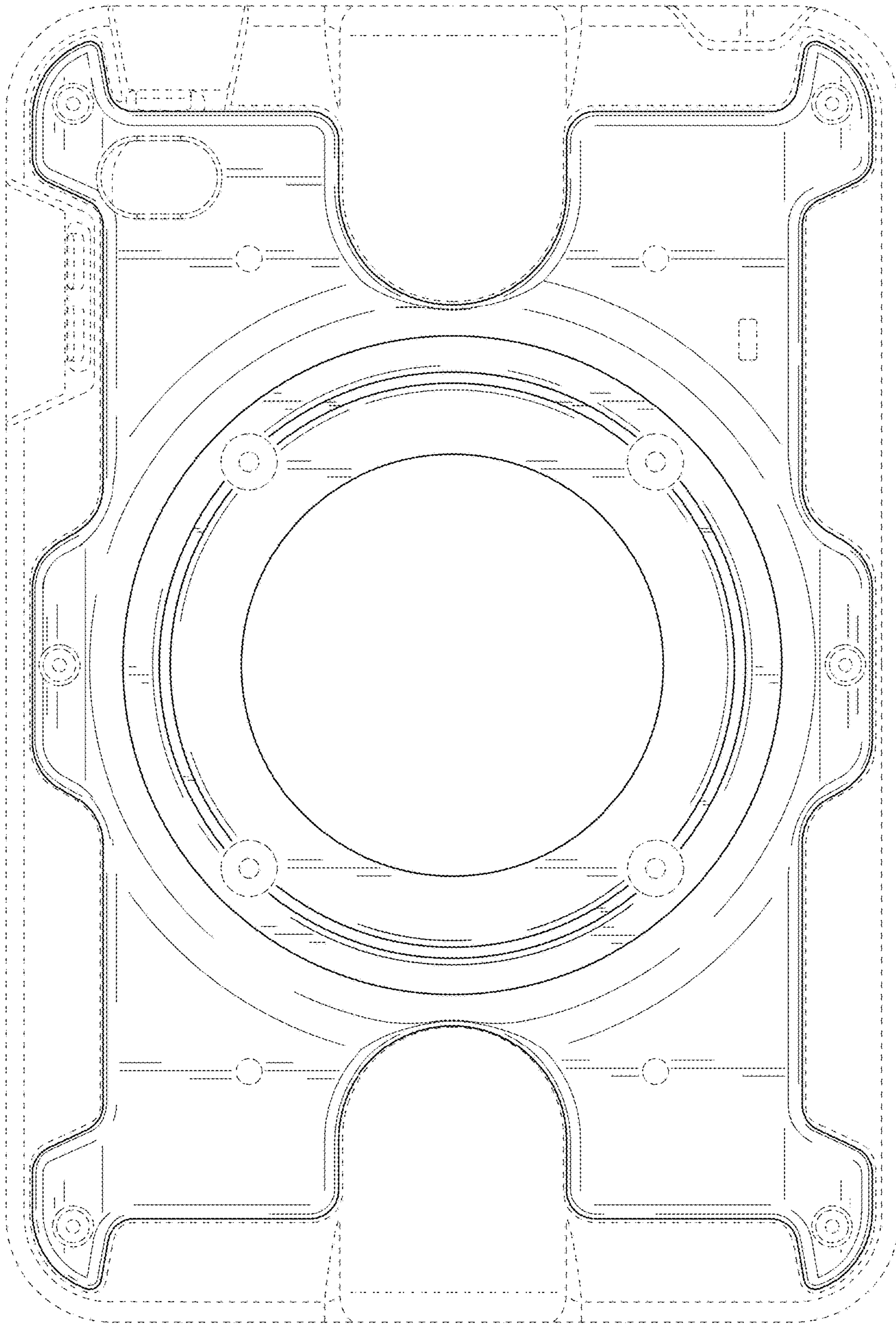


FIG. 7