



US00D824392S

(12) **United States Design Patent** (10) **Patent No.:** **US D824,392 S**
Charlesworth et al. (45) **Date of Patent:** **** Jul. 31, 2018**

(54) **TABLET CASE**
(71) Applicant: **Mobile Tech, Inc.**, Lake Oswego, OR (US)
(72) Inventors: **Eric Charlesworth**, Hillsboro, OR (US); **Peter Schuft**, Hillsboro, OR (US)
(73) Assignee: **MOBILE TECH, INC.**, Lake Oswego, OR (US)
(**) Term: **15 Years**
(21) Appl. No.: **29/632,669**
(22) Filed: **Jan. 9, 2018**
(51) **LOC (11) Cl.** **14-02**
(52) **U.S. Cl.**
USPC **D14/440**
(58) **Field of Classification Search**
USPC D14/440, 42, 300, 447, 250; 206/45.23, 206/320, 45.2; 361/679.55; 294/25; 224/218
CPC G06F 1/1628; G06F 1/1626; G06F 1/1669; A47B 23/044; H04B 1/3888
See application file for complete search history.

D717,804 S * 11/2014 Budge D14/447
D718,316 S * 11/2014 Veltz D14/440
D719,144 S * 12/2014 Eulette D14/250
D725,119 S * 3/2015 Gaylord D14/440
D726,732 S * 4/2015 Lay D14/440
9,229,494 B2 * 1/2016 Rayner G06F 1/163
D748,634 S * 2/2016 Hofer D14/440
D757,731 S * 5/2016 Nguyen D14/440
D766,247 S * 9/2016 Burmester D14/440
D795,263 S * 8/2017 Fujioka D14/440
D798,302 S * 9/2017 Burmester D14/440
9,847,806 B1 * 12/2017 Dickie H04B 1/3888
2003/0222149 A1 * 12/2003 Solomon G06F 1/1669
235/472.01
2012/0043247 A1 * 2/2012 Westrup A45C 3/02
206/472
2012/0193496 A1 * 8/2012 Li F16M 11/041
248/316.1
2015/0156900 A1 * 6/2015 Yeh H04B 1/3888
312/223.1

(Continued)

Primary Examiner — Cynthia R Underwood
(74) *Attorney, Agent, or Firm* — Thompson Coburn LLP

(57) **CLAIM**

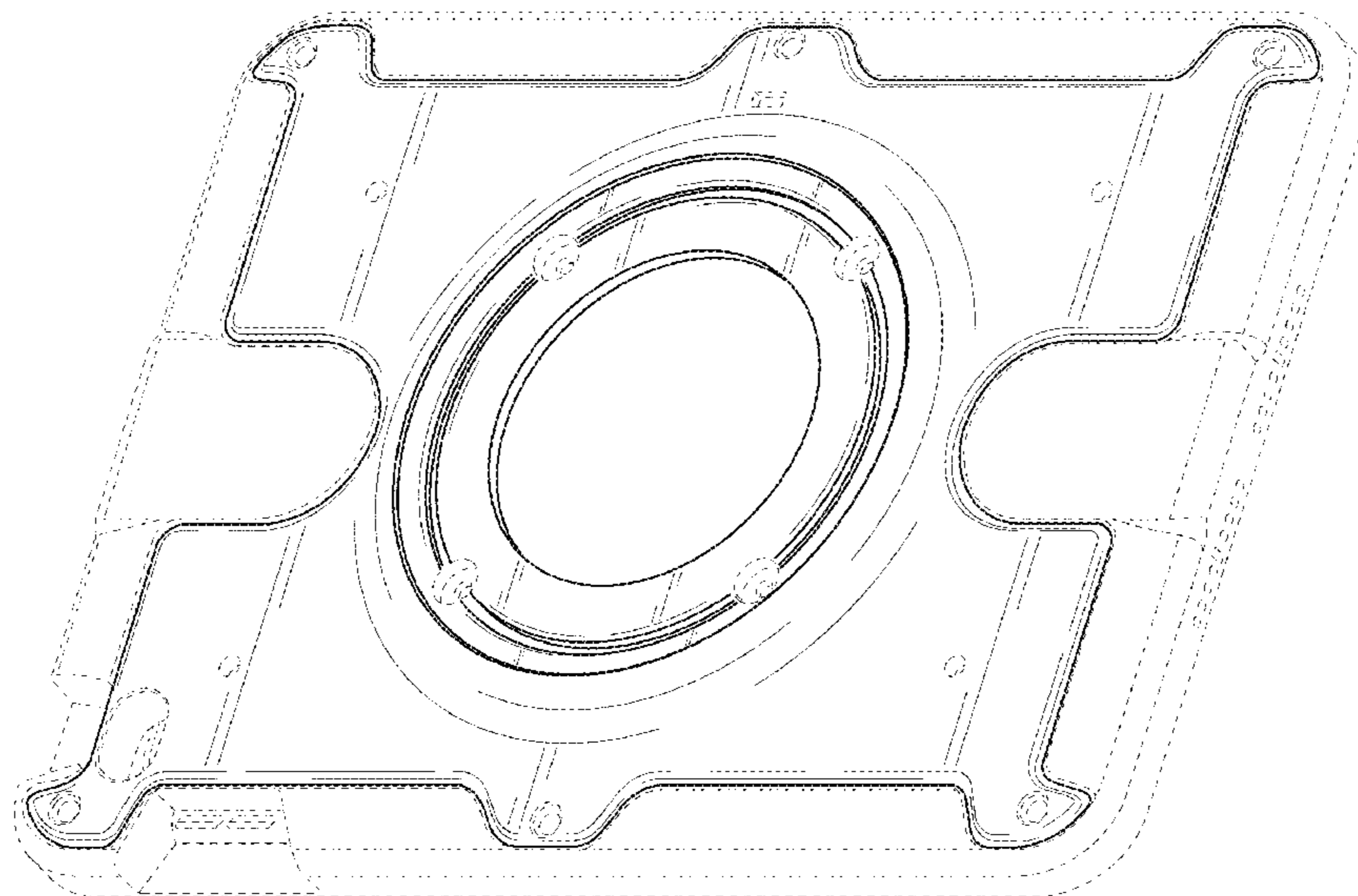
The ornamental design for a tablet case, as shown and described.

DESCRIPTION

FIG. 1 is a rear perspective view showing our new tablet case;
FIG. 2 is a right elevational view of FIG. 1;
FIG. 3 is a left elevational view of FIG. 1;
FIG. 4 is a top elevational view of FIG. 1;
FIG. 5 is a bottom elevational view of FIG. 1;
FIG. 6 is a front plan view of FIG. 1; and,
FIG. 7 is a rear plan view of FIG. 1.
The broken lines are directed to environment and are for illustrative purposes only; the broken lines form no part of the claimed design.

1 Claim, 5 Drawing Sheets

(56) **References Cited**
U.S. PATENT DOCUMENTS
D635,555 S * 4/2011 Giles D14/217
D641,756 S * 7/2011 Hsieh D14/440
D651,606 S * 1/2012 Lujben D14/250
D661,646 S * 6/2012 Son D13/108
D668,660 S * 10/2012 Norfolk D14/440
D670,702 S * 11/2012 Zhang D14/440
D674,803 S * 1/2013 Westrup A45C 3/02
D14/440
D678,293 S * 3/2013 Meehan D14/440
D687,440 S * 8/2013 Shieh D14/447
D695,298 S * 12/2013 Han D14/440
D704,194 S * 5/2014 Young D14/440



(56)

References Cited

U.S. PATENT DOCUMENTS

2016/0135560 A1* 5/2016 Yeh H04M 1/185
224/581

* cited by examiner

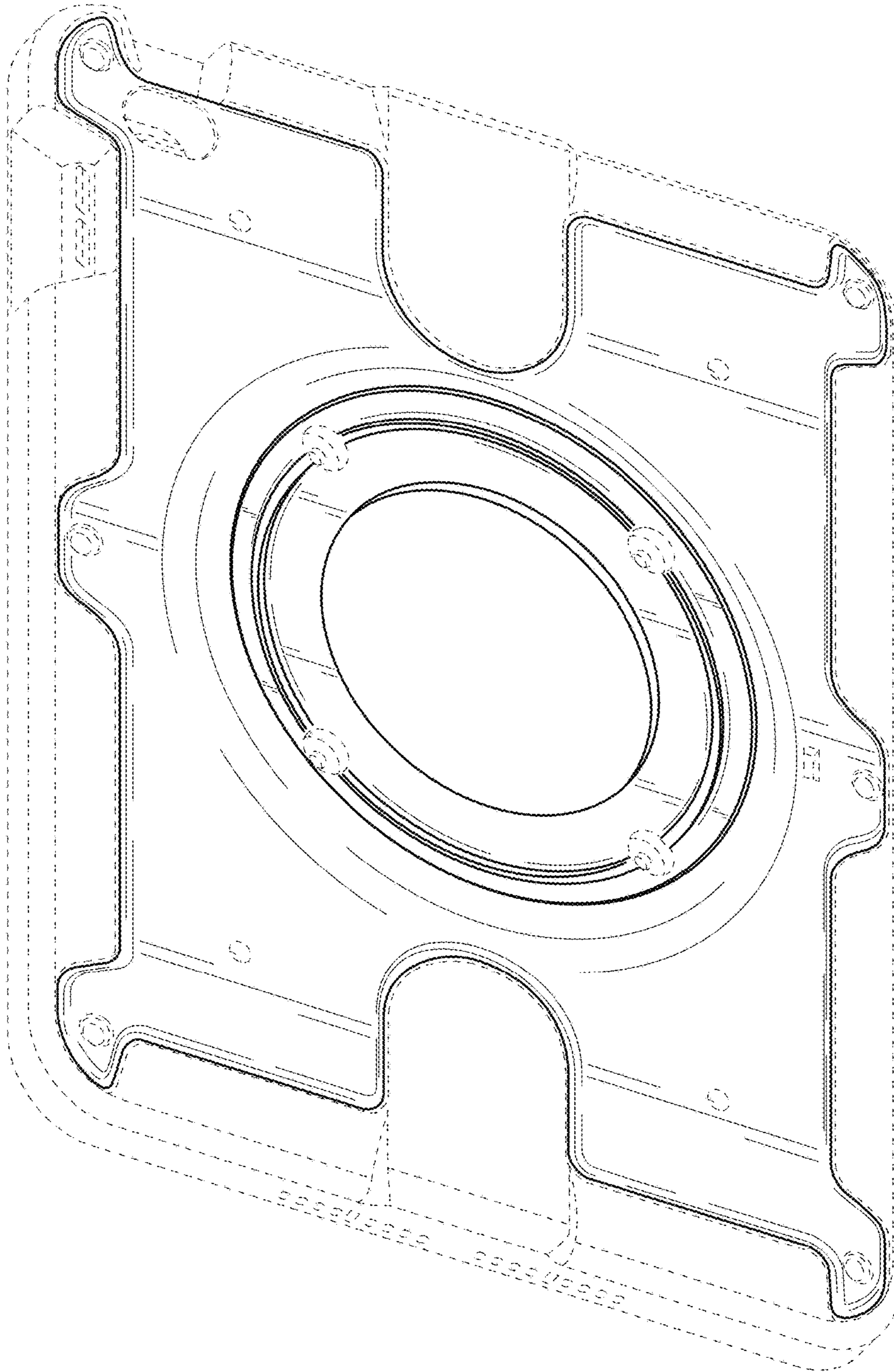


FIG. 1

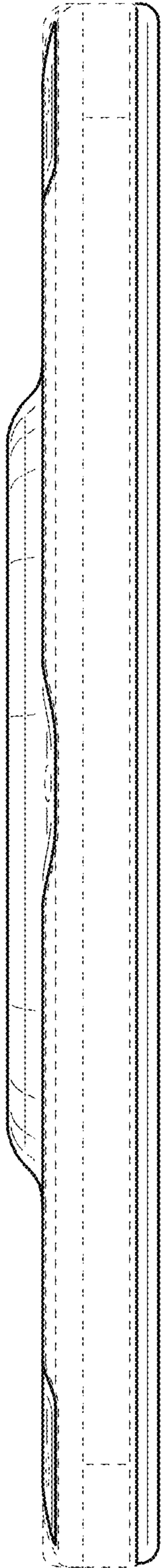


FIG. 2

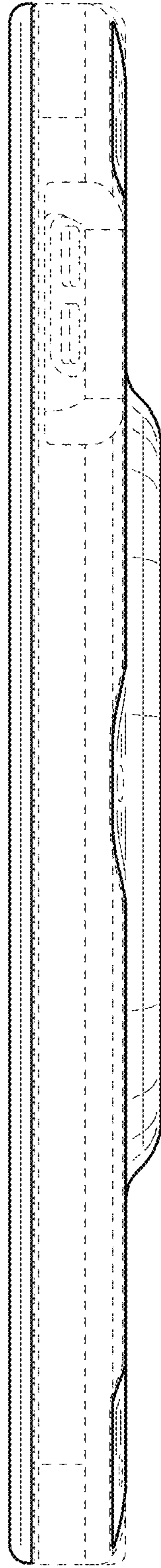


FIG. 3

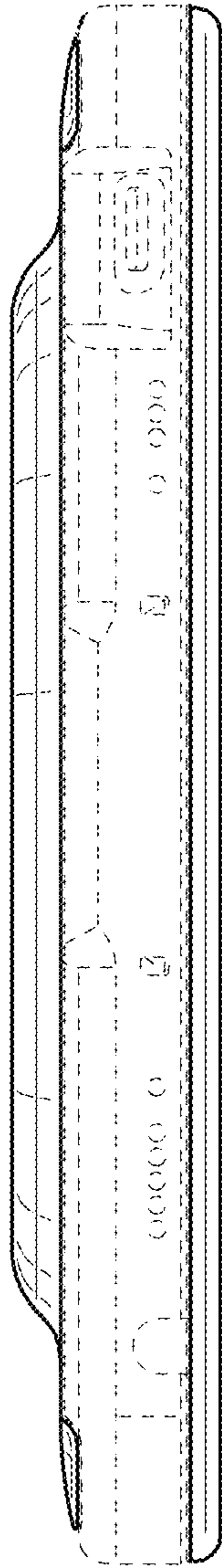


FIG. 4

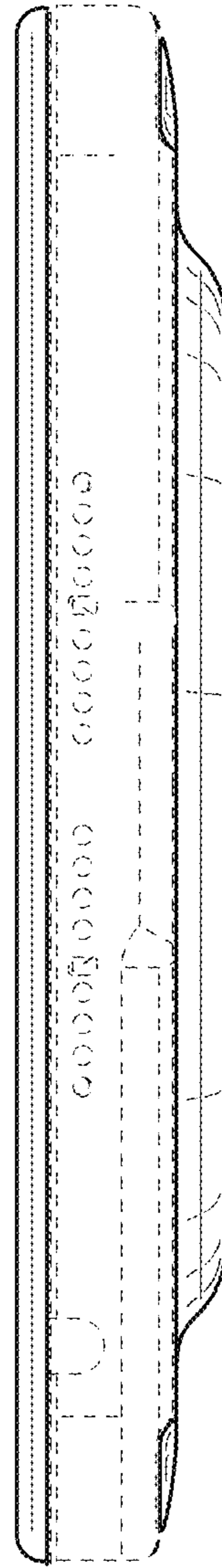


FIG. 5

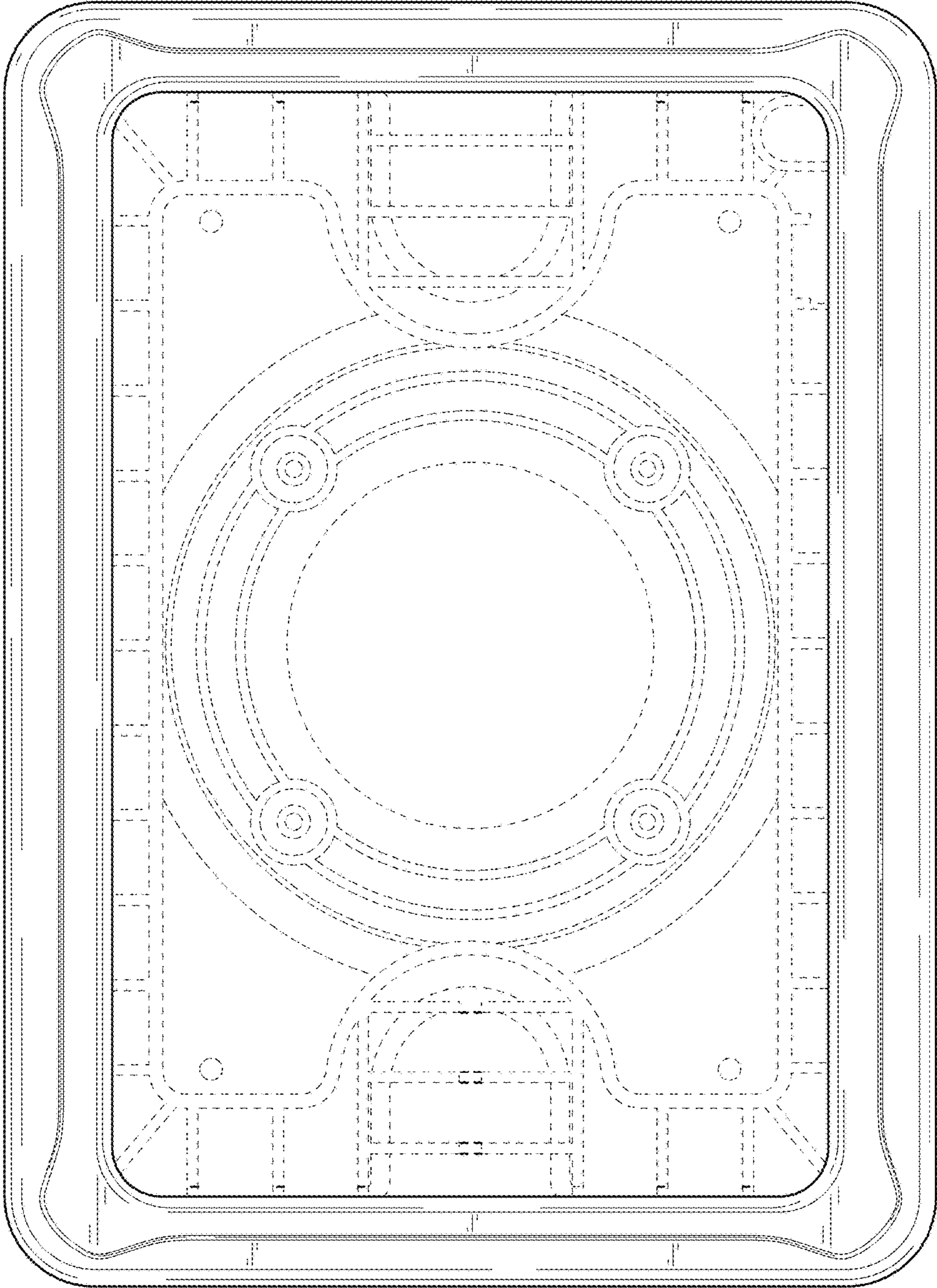


FIG. 6

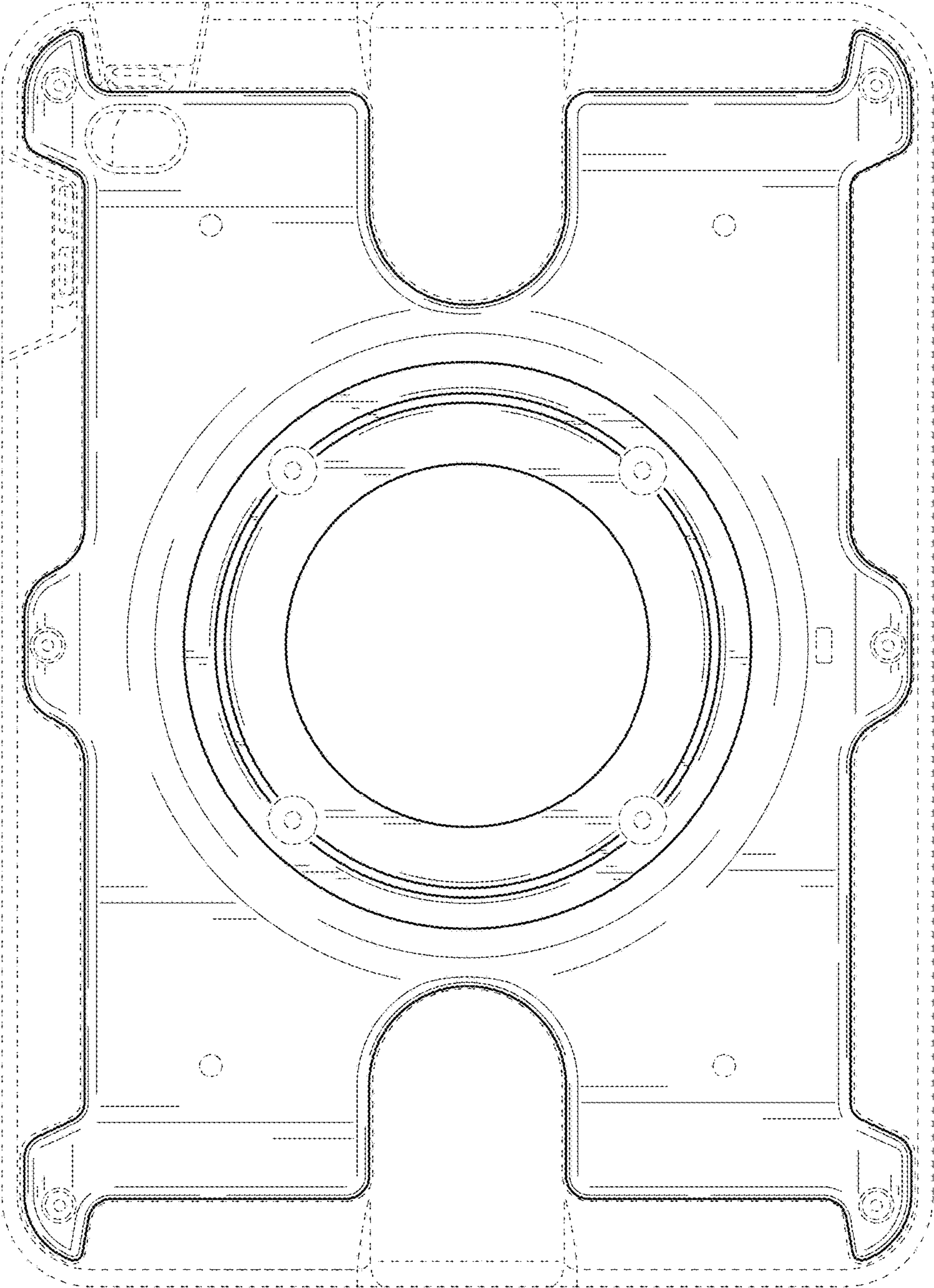


FIG. 7