



US00D824391S

(12) **United States Design Patent** (10) **Patent No.:** **US D824,391 S**
Melmon et al. (45) **Date of Patent:** **** *Jul. 31, 2018**

- (54) **PROTECTIVE CASE** 6,555,235 B1 * 4/2003 Aufderheide C09J 183/04
156/329
- (71) Applicant: **Touchfire, Inc.**, Seattle, WA (US) 6,772,879 B1 8/2004 Domotor
- (72) Inventors: **Bradley S. Melmon**, Seattle, WA (US); 7,281,698 B2 10/2007 Patterson, Jr.
- Steven A. Isaac**, Seattle, WA (US) 7,414,833 B2 8/2008 Kittayapong
- (73) Assignee: **Touchfire, Inc.**, Renton, WA (US) D612,818 S * 3/2010 Lents, Jr. D14/125
- (*) Notice: This patent is subject to a terminal dis- 7,735,644 B2 6/2010 Sirichai et al.
- claimer. 8,044,942 B1 * 10/2011 Leonhard G06F 1/1637
345/173
- (**) Term: **14 Years** D658,164 S * 4/2012 Chan D14/238.1
- (21) Appl. No.: **29/521,782** D658,187 S 4/2012 Diebel
- (22) Filed: **Mar. 26, 2015** D658,188 S 4/2012 Diebel et al.
- D661,707 S * 6/2012 Akana D14/203.3
- D663,304 S 7/2012 Akana et al.
- 8,230,992 B2 7/2012 Law et al.
- 8,245,843 B1 8/2012 Wu
- D666,612 S * 9/2012 Li D14/248
- D667,392 S * 9/2012 Li D14/248
- D668,646 S * 10/2012 Li D14/248
- D669,457 S * 10/2012 Li D14/248

(Continued)

Related U.S. Application Data

- (63) Continuation of application No. 29/493,423, filed on Jun. 9, 2014, now Pat. No. Des. 727,919.
- (51) **LOC (11) Cl.** **14-02**
- (52) **U.S. Cl.**
USPC **D14/440**
- (58) **Field of Classification Search**
USPC D14/440, 439, 432, 203.4, 203.8, 341;
D3/218, 215, 201, 294, 289, 900
CPC G06F 1/1601; G06F 1/1626; G06F 1/1633;
G06F 1/1675; G06F 1/167; G02F 1/1306;
G02F 1/133308; G02F 1/153; G02F
1/1533; G02F 2001/133317; H04M
1/185; H04M 1/0252; H04B 1/3888
See application file for complete search history.

(56) **References Cited**

U.S. PATENT DOCUMENTS

- 1,613,536 A 1/1927 Rose
- D230,376 S 2/1974 Andrew
- 4,259,568 A 3/1981 Dynesen
- 5,386,964 A * 2/1995 Mayo B43L 3/00
248/346.01

Primary Examiner — Cynthia Underwood

(74) *Attorney, Agent, or Firm* — Perkins Coie LLP

(57) **CLAIM**

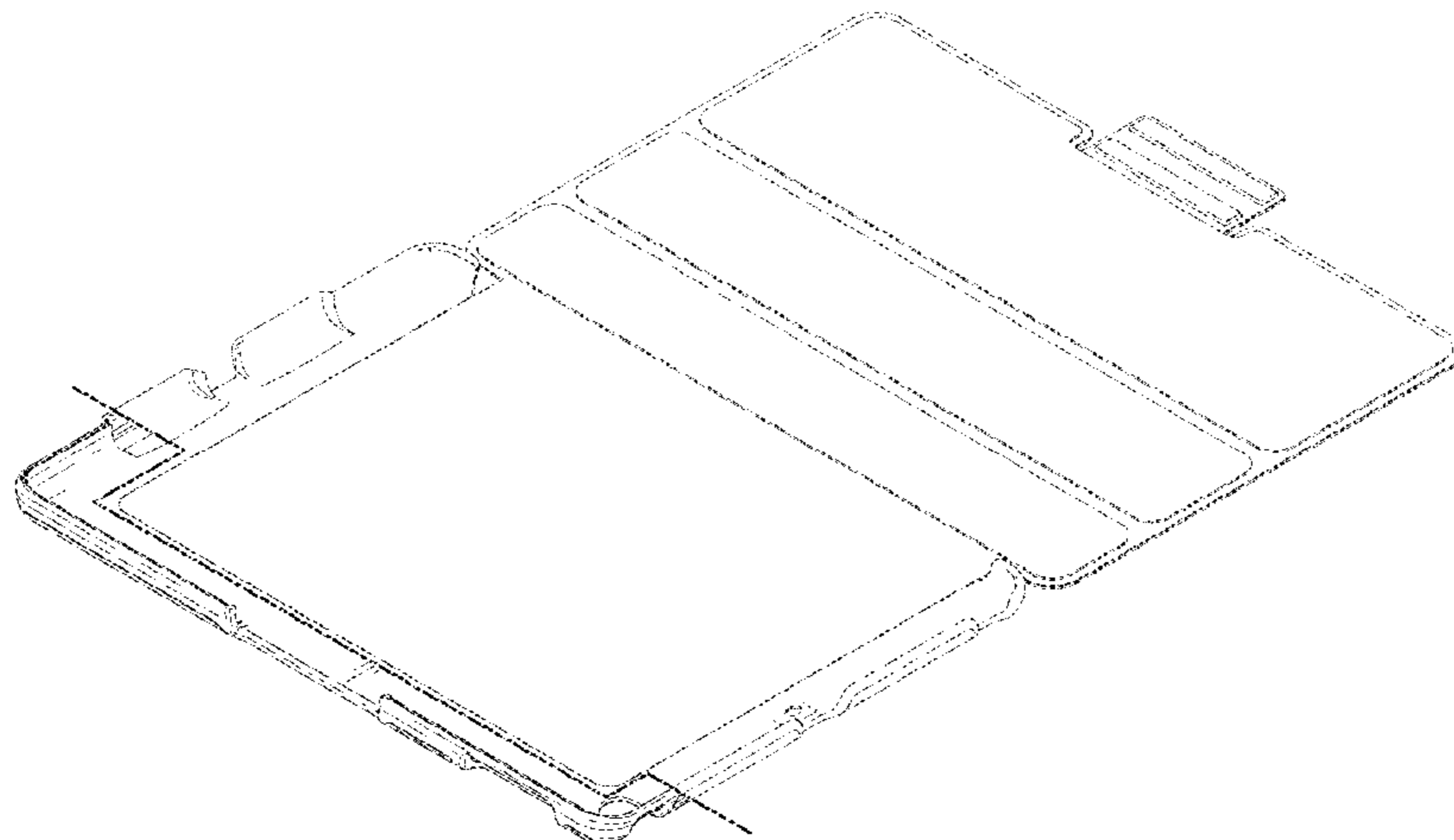
The ornamental design for a protective case, as shown and described.

DESCRIPTION

FIG. 1 is a front perspective view of a protective case.
 FIG. 2 is a back perspective view thereof.
 FIG. 3 is a top plan view thereof.
 FIG. 4 is a bottom plan view thereof.
 FIG. 5 is a left side view thereof.
 FIG. 6 is a right side view thereof.
 FIG. 7 is a front view thereof; and,
 FIG. 8 is a back view thereof.

The broken lines represent environment and the boundary line represents the boundary of the claim. Neither of which form any part of the claim.

1 Claim, 5 Drawing Sheets



(56)

References Cited

U.S. PATENT DOCUMENTS

8,279,188 B2 *	10/2012	Kusuda	G06F 3/041 178/18.01	8,773,353 B2	7/2014	Wei	
8,312,991 B2	11/2012	Diebel et al.			8,783,458 B2	7/2014	Gallagher et al.	
D671,948 S	12/2012	Akana et al.			D710,859 S	8/2014	Mecchella et al.	
D672,353 S	12/2012	Liu			8,797,132 B2	8/2014	Childs et al.	
D672,781 S	12/2012	Lu			D721,079 S *	1/2015	Fujioka D14/440
D675,625 S	2/2013	Hasbrook et al.			8,974,620 B2 *	3/2015	Wilson G06F 3/041 156/247
D678,260 S	3/2013	Bau			D727,330 S *	4/2015	Reaux D14/440
D679,279 S	4/2013	Yang et al.			D731,492 S *	6/2015	Snyder D14/440
D679,715 S	4/2013	Akana et al.			D732,526 S *	6/2015	Ferren D14/341
8,424,830 B2	4/2013	Yang et al.			D733,153 S *	6/2015	Longo D14/440
D681,641 S	5/2013	Van Den Nieuwenhuizen et al.			9,061,542 B1 *	6/2015	Huang B44F 1/063
D682,836 S	5/2013	Akana et al.			9,063,699 B1 *	6/2015	Huang G06F 1/1643
D682,838 S	5/2013	Akana et al.			D734,311 S *	7/2015	Takamoto D14/250
D683,141 S	5/2013	Symons			9,092,195 B1 *	7/2015	Huang G06F 1/1637
D686,628 S *	7/2013	Hall	D14/440	D736,777 S *	8/2015	Rayner D14/440
8,498,103 B2 *	7/2013	Graneto, III	G06F 1/1656 206/320	2001/0038493 A1 *	11/2001	Watanabe B29C 45/14827 359/609
D687,438 S	8/2013	Lu			2002/0101411 A1 *	8/2002	Chang G06F 1/1626 345/179
D689,054 S *	9/2013	Snyder	D14/440	2003/0034263 A1	2/2003	D'Hoste	
D689,475 S *	9/2013	Andre	D14/250	2003/0110613 A1 *	6/2003	Ross G06F 1/1609 29/592
D690,305 S	9/2013	Wen			2004/0227722 A1 *	11/2004	Friberg G06F 1/1609 345/156
D690,702 S	10/2013	Chung			2005/0110772 A1 *	5/2005	Kong G06F 3/045 345/174
D691,142 S	10/2013	Diebel			2007/0181456 A1 *	8/2007	Kusuda G06F 1/1626 206/443
D692,434 S	10/2013	Kim			2008/0302687 A1	12/2008	Sirichai et al.	
D693,823 S	11/2013	Chen et al.			2009/0159763 A1	6/2009	Kim	
D695,296 S	12/2013	Hsu			2010/0026646 A1 *	2/2010	Xiao G06F 3/04886 345/173
D696,253 S	12/2013	Akana et al.			2011/0290687 A1	12/2011	Han	
D696,256 S	12/2013	Piedra et al.			2012/0074271 A1 *	3/2012	Goetz F16M 13/00 248/121
D696,669 S	12/2013	Akana et al.			2012/0211377 A1	8/2012	Sajid	
8,640,864 B2	2/2014	Chen et al.			2012/0211613 A1	8/2012	Yang et al.	
8,644,893 B2	2/2014	Liang			2012/0305413 A1	12/2012	Chung	
8,657,112 B2	2/2014	Igarashi			2012/0308981 A1	12/2012	Libin et al.	
D701,205 S	3/2014	Akana et al.			2013/0015088 A1	1/2013	Wu	
D702,673 S	4/2014	Murchison et al.			2013/0020216 A1	1/2013	Chiou	
D703,633 S *	4/2014	Akana	D14/138 R	2013/0140203 A1	6/2013	Chiang	
D704,689 S	5/2014	Chang			2013/0213838 A1	8/2013	Tsai et al.	
D704,693 S	5/2014	Kim			2013/0214661 A1	8/2013	McBroom	
D706,270 S	6/2014	Akana et al.			2013/0241381 A1	9/2013	Hyneczek et al.	
D706,783 S	6/2014	Almodova			2013/0264459 A1	10/2013	McCosh et al.	
D707,229 S	6/2014	Almodova						
8,757,375 B2	6/2014	Huang						
D708,838 S	7/2014	Lee						
8,763,795 B1	7/2014	Oten et al.						
8,766,921 B2	7/2014	Ballagas et al.						

* cited by examiner

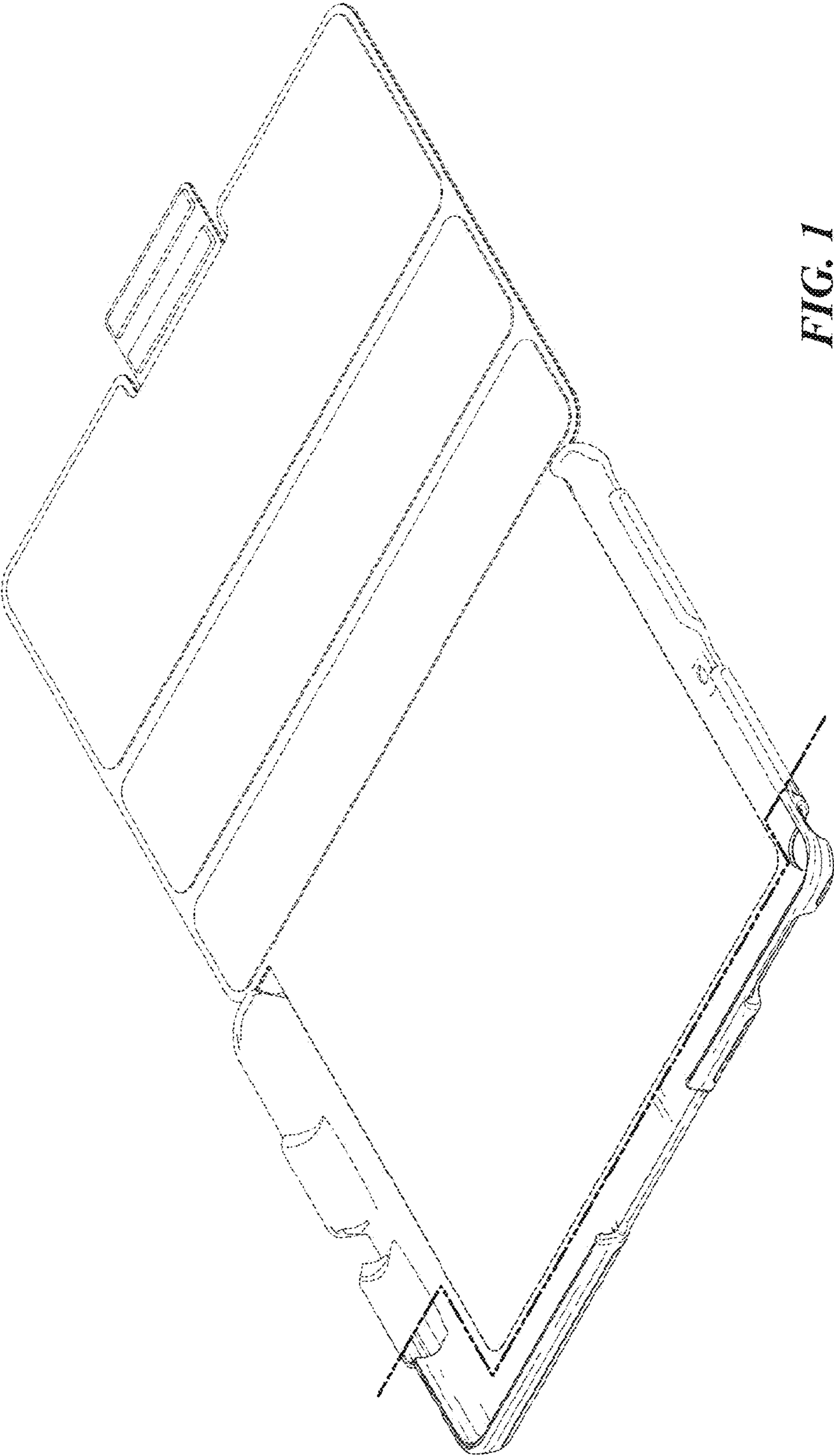


FIG. 1

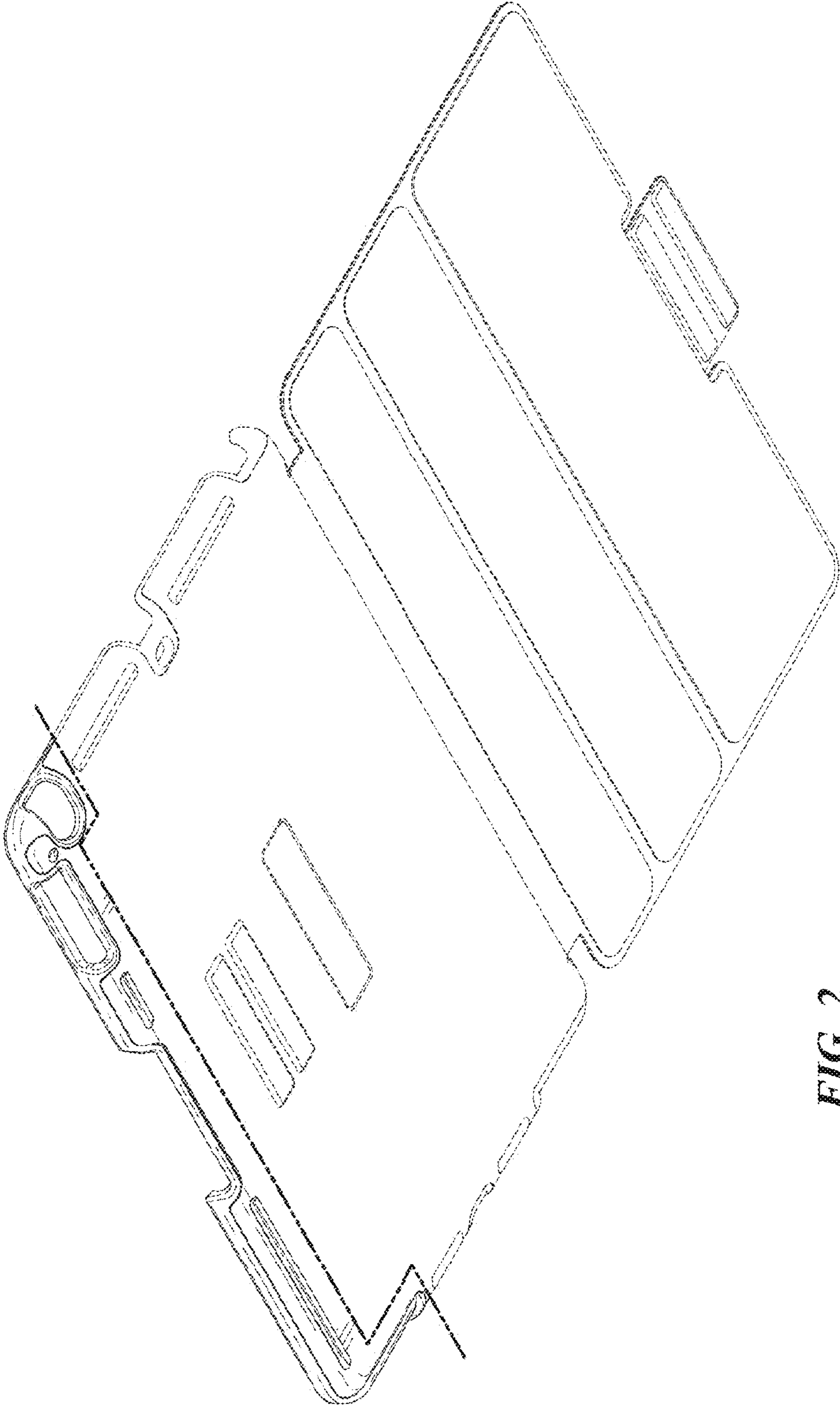


FIG. 2

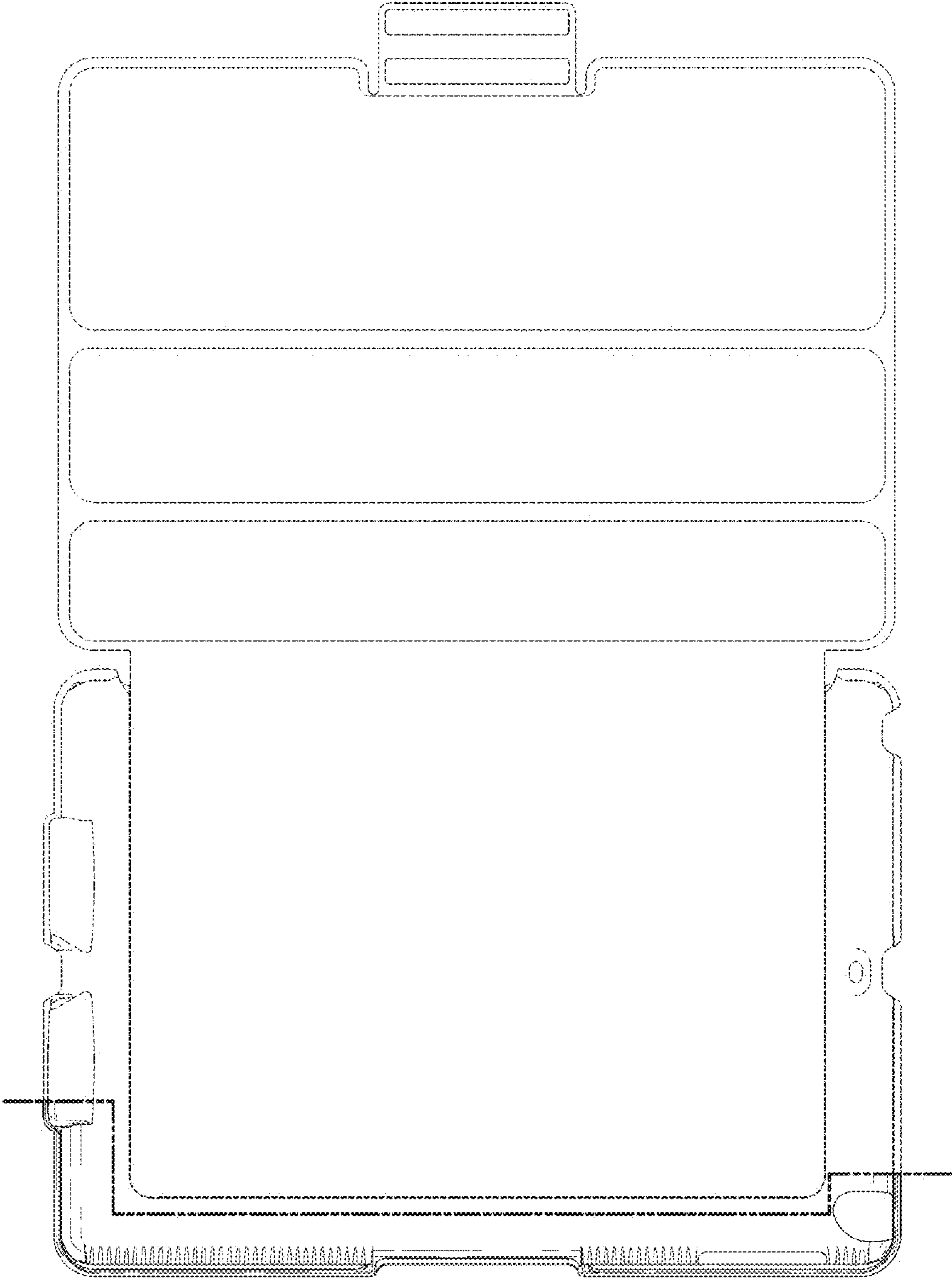


FIG. 3

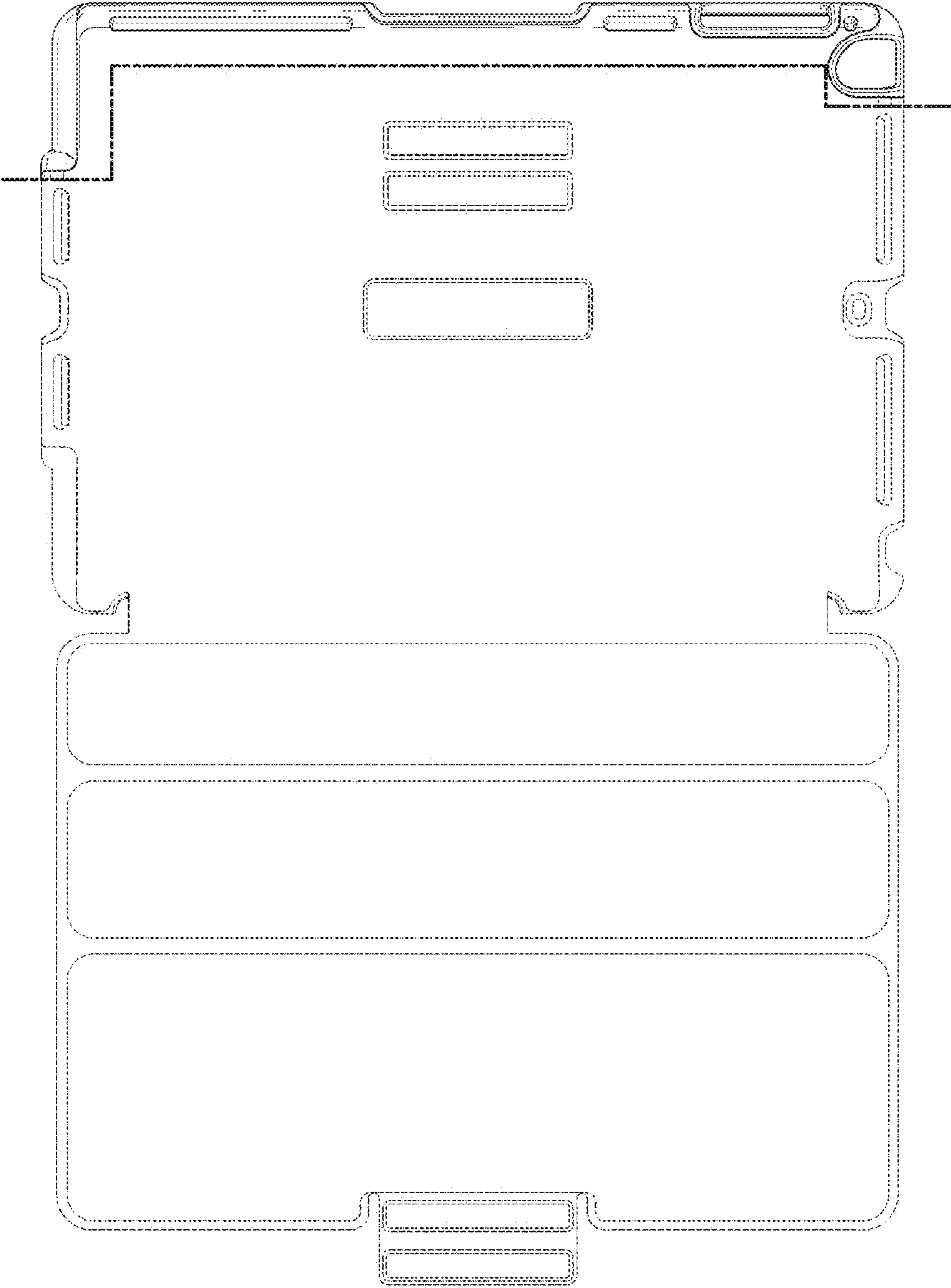


FIG. 4

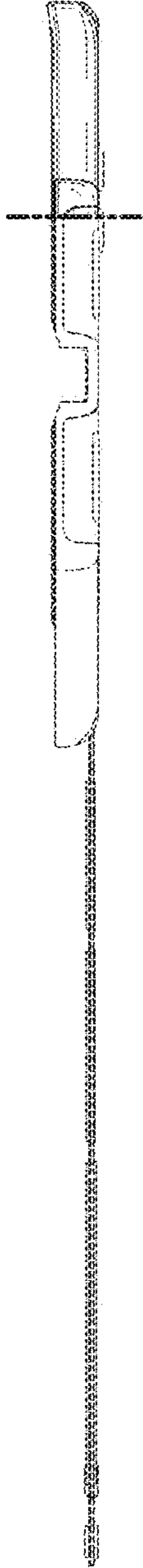


FIG. 5

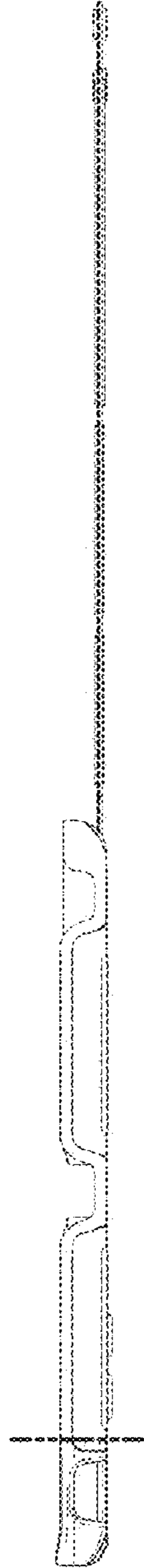


FIG. 6



FIG. 7



FIG. 8