



US00D824389S

(12) **United States Design Patent**  
**Dinh et al.**

(10) **Patent No.:** **US D824,389 S**  
(45) **Date of Patent:** **\*\* Jul. 31, 2018**

(54) **HOUSING PLATE**

(71) Applicant: **Apple Inc.**, Cupertino, CA (US)  
(72) Inventors: **Richard Hung Minh Dinh**, San Jose, CA (US); **Richard P. Howarth**, San Francisco, CA (US); **Scott A. Myers**, San Francisco, CA (US); **David A. Pakula**, San Francisco, CA (US); **Tang Yew Tan**, San Francisco, CA (US)

(73) Assignee: **Apple Inc.**, Cupertino, CA (US)

(\*\*) Term: **15 Years**

(21) Appl. No.: **29/554,625**

(22) Filed: **Feb. 12, 2016**

**Related U.S. Application Data**

(60) Continuation of application No. 29/503,544, filed on Sep. 26, 2014, now Pat. No. Des. 749,590, which is a continuation of application No. 29/429,885, filed on Aug. 17, 2012, now Pat. No. Des. 714,294, which is a continuation of application No. 29/363,173, filed on Jun. 5, 2010, now Pat. No. Des. 666,202, application No. 29/554,625, which is a continuation of application No. 13/561,567, filed on Jul. 30, 2012, which is a division of application No. 12/794,467, filed on Jun. 4, 2010, now Pat. No. 8,264,837.

(51) **LOC (11) Cl.** ..... **14-02**

(52) **U.S. Cl.**  
USPC ..... **D14/439**

(58) **Field of Classification Search**  
USPC ..... D14/341-347, 424, 425, 432-453, 464, D14/468, 469, 471, 496, 511, 138 AA, D14/138 AD, 138 C, 138 G, 203.1-203.8, D14/217, 238.1, 248, 250, 257, 299  
CPC .... G06F 1/1626; G06F 1/1656; G06F 1/1637; G06F 1/1635; G06F 1/1633; H04M 1/0262; H04M 1/0266; H04M 1/2024; H04M 1/0277; H04M 1/0249; H04M 1/0252; H04M 1/026

See application file for complete search history.

(56) **References Cited**

U.S. PATENT DOCUMENTS

6,900,388 B2 5/2005 Wang et al.  
D513,617 S 1/2006 Tierney  
D557,239 S 12/2007 Lee  
7,303,424 B2 12/2007 Tu et al.

(Continued)

FOREIGN PATENT DOCUMENTS

TW D136926 9/2010  
TW D137773 11/2010

*Primary Examiner* — Deanna L Pratt

(74) *Attorney, Agent, or Firm* — Sterne, Kessler, Goldstein & Fox P.L.L.C.

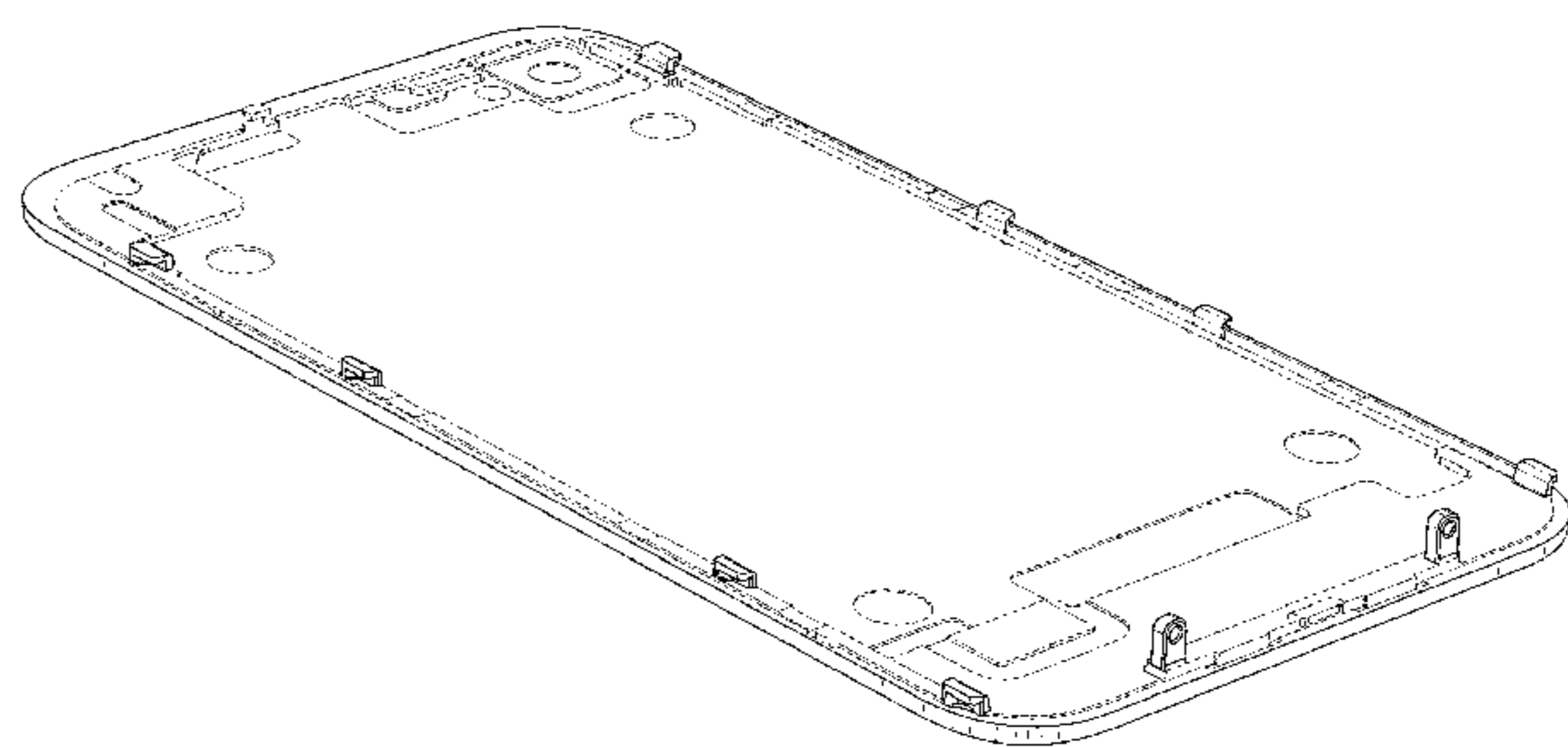
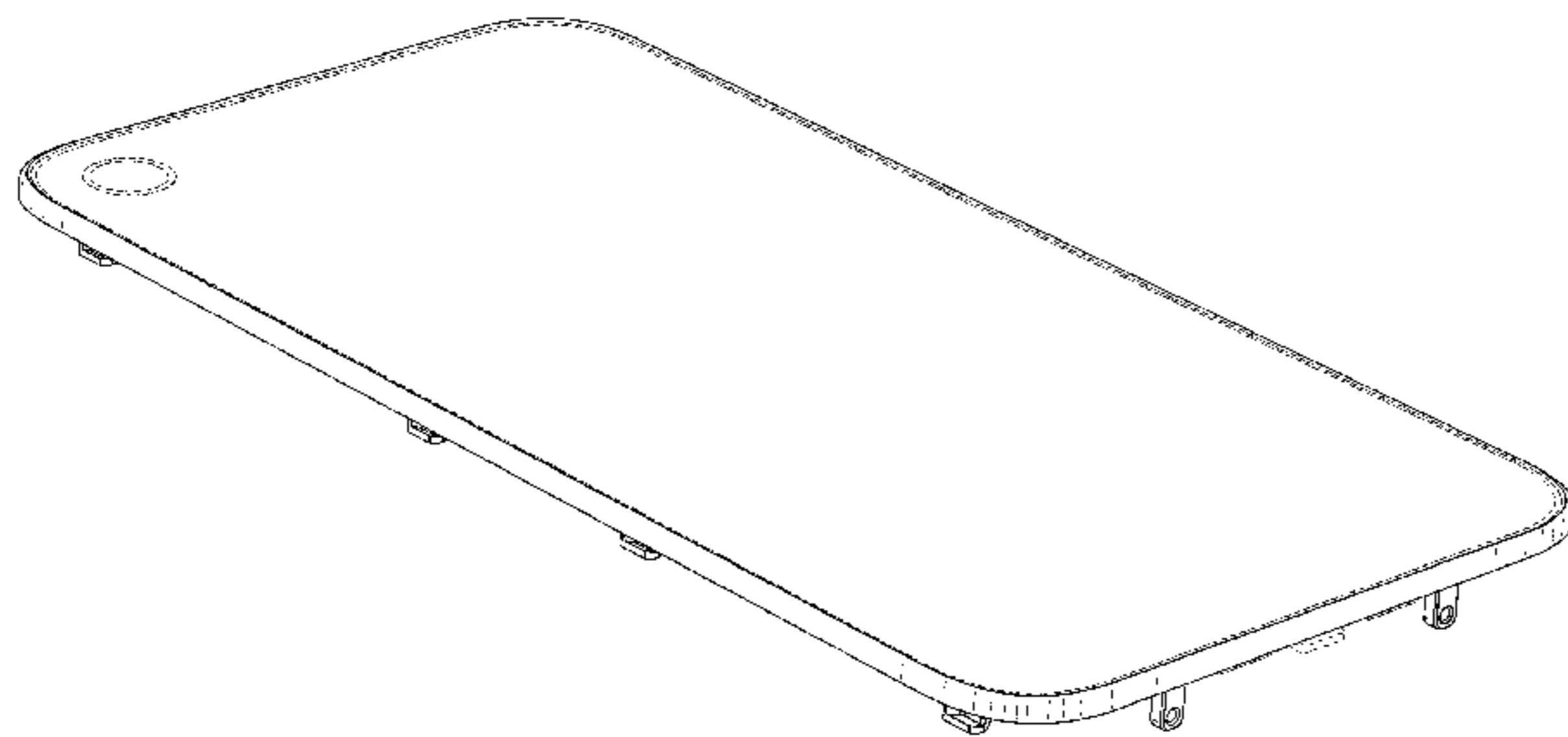
(57) **CLAIM**

The ornamental design for a housing plate, as shown and described.

**DESCRIPTION**

FIG. 1 is a bottom rear perspective view of a housing plate showing the claimed design;  
FIG. 2 is a top rear perspective view thereof;  
FIG. 3 is a bottom front perspective view thereof;  
FIG. 4 is a top front perspective view thereof;  
FIG. 5 is a rear view thereof;  
FIG. 6 is a front view thereof;  
FIG. 7 is a bottom view thereof;  
FIG. 8 is top view thereof;  
FIG. 9 is a left side view thereof; and,  
FIG. 10 is a right side view thereof.  
The shade lines in the Figures show contour and not surface ornamentation.  
The broken lines in the figures show portions of the housing plate that form no part of the claimed design.

**1 Claim, 8 Drawing Sheets**



(56)

References Cited

U.S. PATENT DOCUMENTS

D558,756 S 1/2008 Andre et al.  
 D558,758 S 1/2008 Andre et al.  
 D561,153 S 2/2008 Hong et al.  
 D569,830 S 5/2008 Kwak  
 D570,346 S 6/2008 Suk et al.  
 D574,819 S 8/2008 Andre et al.  
 D575,259 S 8/2008 Kim et al.  
 D580,387 S 11/2008 Andre et al.  
 D592,211 S 5/2009 Ichise et al.  
 D592,212 S 5/2009 Hamada et al.  
 D594,863 S 6/2009 Ichise et al.  
 D599,342 S 9/2009 Andre et al.  
 D602,014 S 10/2009 Andre et al.  
 D602,015 S 10/2009 Andre et al.  
 D602,017 S 10/2009 Andre et al.  
 D602,486 S 10/2009 Andre et al.  
 7,660,560 B2 2/2010 Zuo et al.  
 D617,792 S 6/2010 Andre et al.  
 D619,361 S 7/2010 Andre et al.  
 D622,270 S 8/2010 Andre et al.  
 D622,718 S 8/2010 Andre et al.  
 D622,719 S 8/2010 Andre et al.  
 D624,304 S 9/2010 Danze et al.  
 D624,536 S 9/2010 Andre et al.  
 D627,778 S 11/2010 Akana et al.  
 D629,387 S 12/2010 Lee  
 D629,787 S 12/2010 Lee  
 D629,788 S 12/2010 Lee  
 D630,630 S 1/2011 Andre et al.  
 7,869,206 B2 1/2011 Dabov et al.  
 D633,493 S 3/2011 Akana et al.  
 D634,742 S 3/2011 Andre et al.  
 D636,390 S 4/2011 Andre et al.  
 D636,392 S 4/2011 Akana et al.  
 D638,835 S 5/2011 Akana et al.  
 D639,805 S 6/2011 Song et al.

D640,646 S 6/2011 Wu et al.  
 8,014,135 B2 9/2011 Yu  
 D647,519 S 10/2011 Rothbaum et al.  
 D649,539 S 11/2011 Hong  
 D652,015 S 1/2012 Han  
 8,102,319 B2 1/2012 Schlub et al.  
 D653,640 S 2/2012 Kwon et al.  
 D666,202 S 8/2012 Dinh et al.  
 8,264,837 B2 9/2012 Pakula et al.  
 D677,666 S 3/2013 Akana et al.  
 8,551,283 B2\* 10/2013 Pakula ..... G06F 1/1626  
 156/312  
 8,684,613 B2 4/2014 Weber  
 D714,294 S 9/2014 Dinh et al.  
 9,072,163 B2\* 6/2015 Li ..... G06F 1/1679  
 D738,364 S\* 9/2015 Han ..... D14/248  
 9,185,816 B2\* 11/2015 Pakula ..... G06F 1/1626  
 9,232,670 B2\* 1/2016 Pakula ..... G06F 1/1626  
 9,606,579 B2\* 3/2017 Pakula ..... G06F 1/1626  
 D789,340 S\* 6/2017 Lee ..... D14/248  
 2006/0139856 A1 6/2006 Liu et al.  
 2006/0281501 A1 12/2006 Zuo et al.  
 2007/0082718 A1 4/2007 Yoon et al.  
 2008/0316121 A1 12/2008 Hobson et al.  
 2009/0067141 A1 3/2009 Dabov et al.  
 2009/0245565 A1 10/2009 Mittleman et al.  
 2009/0247244 A1 10/2009 Mittleman et al.  
 2010/0105452 A1 4/2010 Shin et al.  
 2011/0151945 A1 6/2011 Jiang et al.  
 2011/0188179 A1 8/2011 Myers et al.  
 2011/0255218 A1 10/2011 Pakula et al.  
 2012/0002352 A1 1/2012 Hsiung  
 2012/0009974 A1 1/2012 Sunderland  
 2012/0073115 A1 3/2012 Filson et al.  
 2012/0086648 A1 4/2012 Leung  
 2012/0087066 A1 4/2012 Leggett  
 2013/0063876 A1\* 3/2013 Pakula ..... G06F 1/1626  
 361/679.01

\* cited by examiner

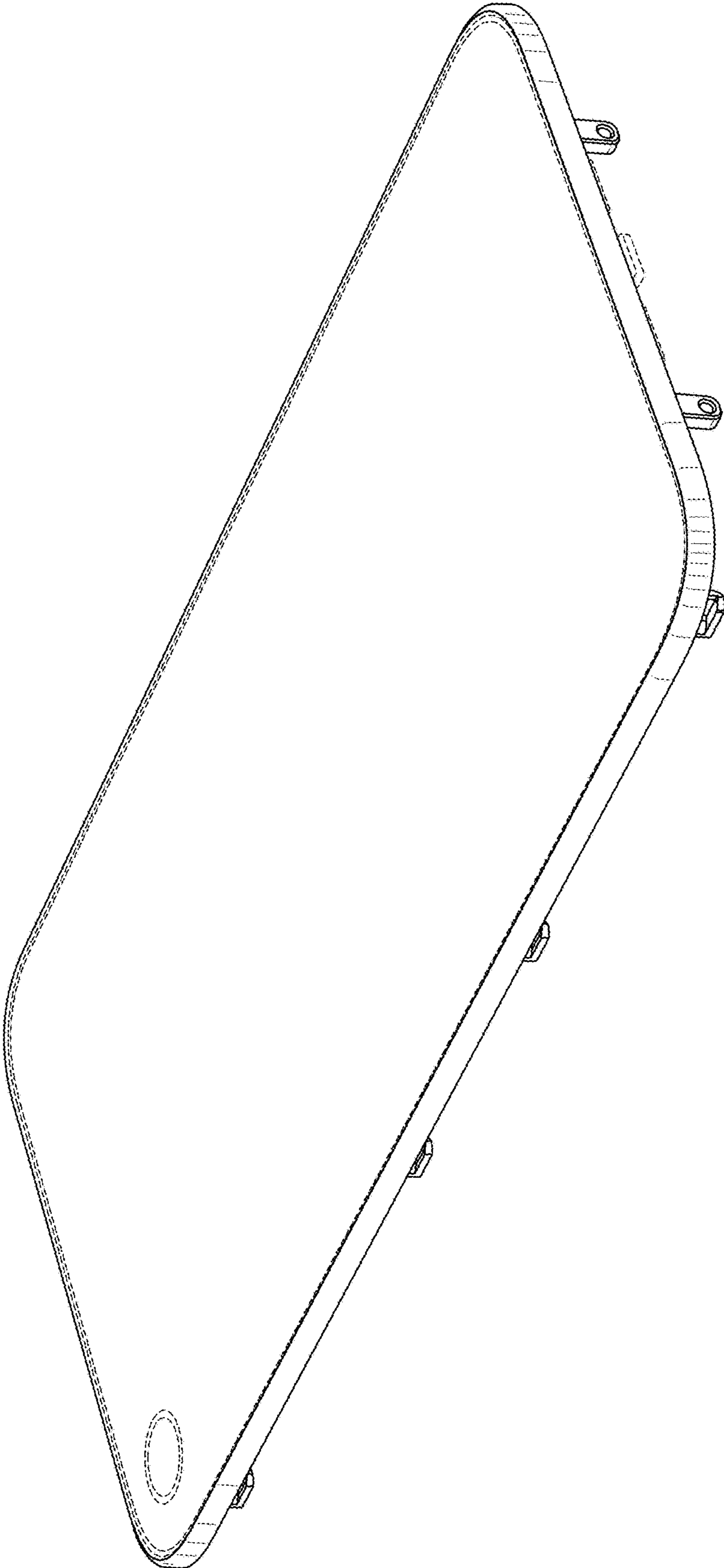


FIG. 1

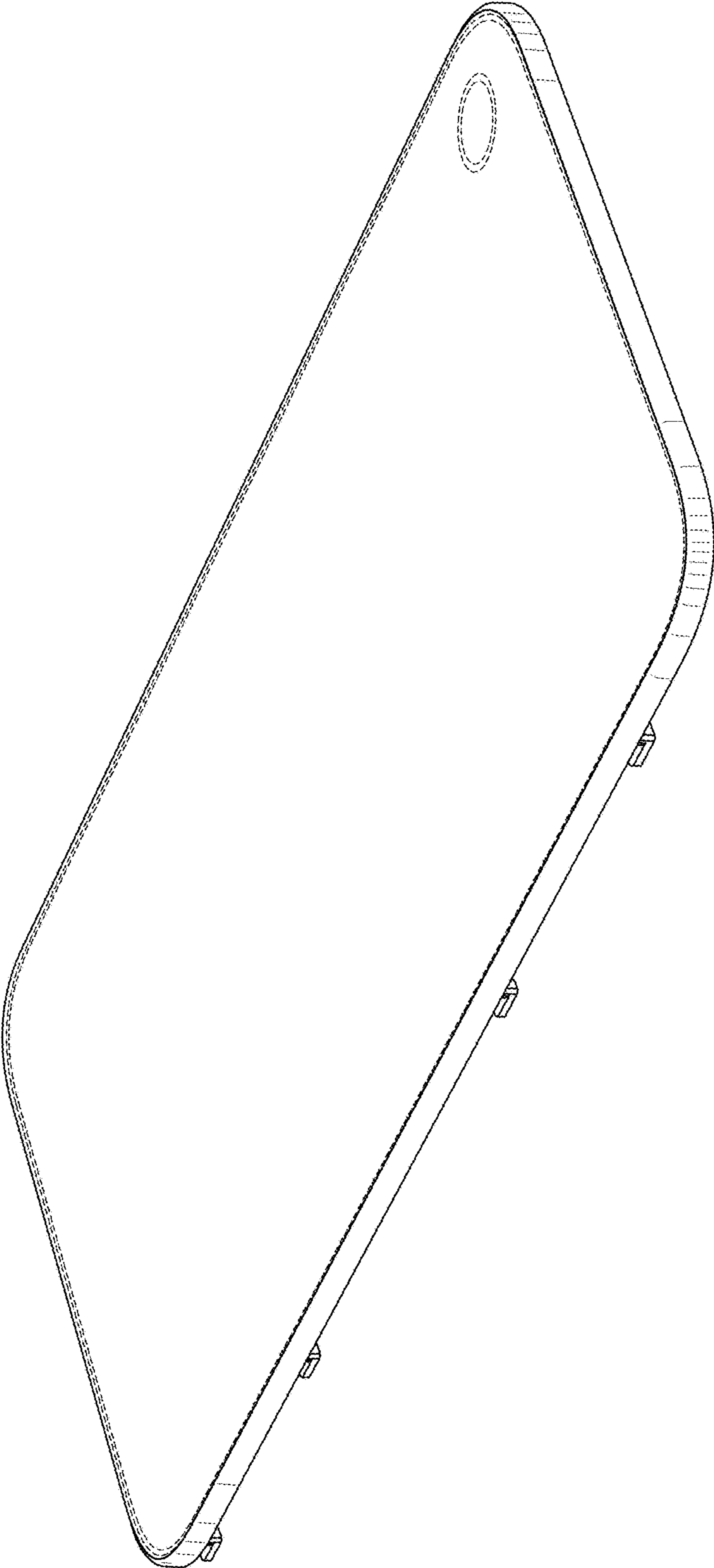


FIG. 2

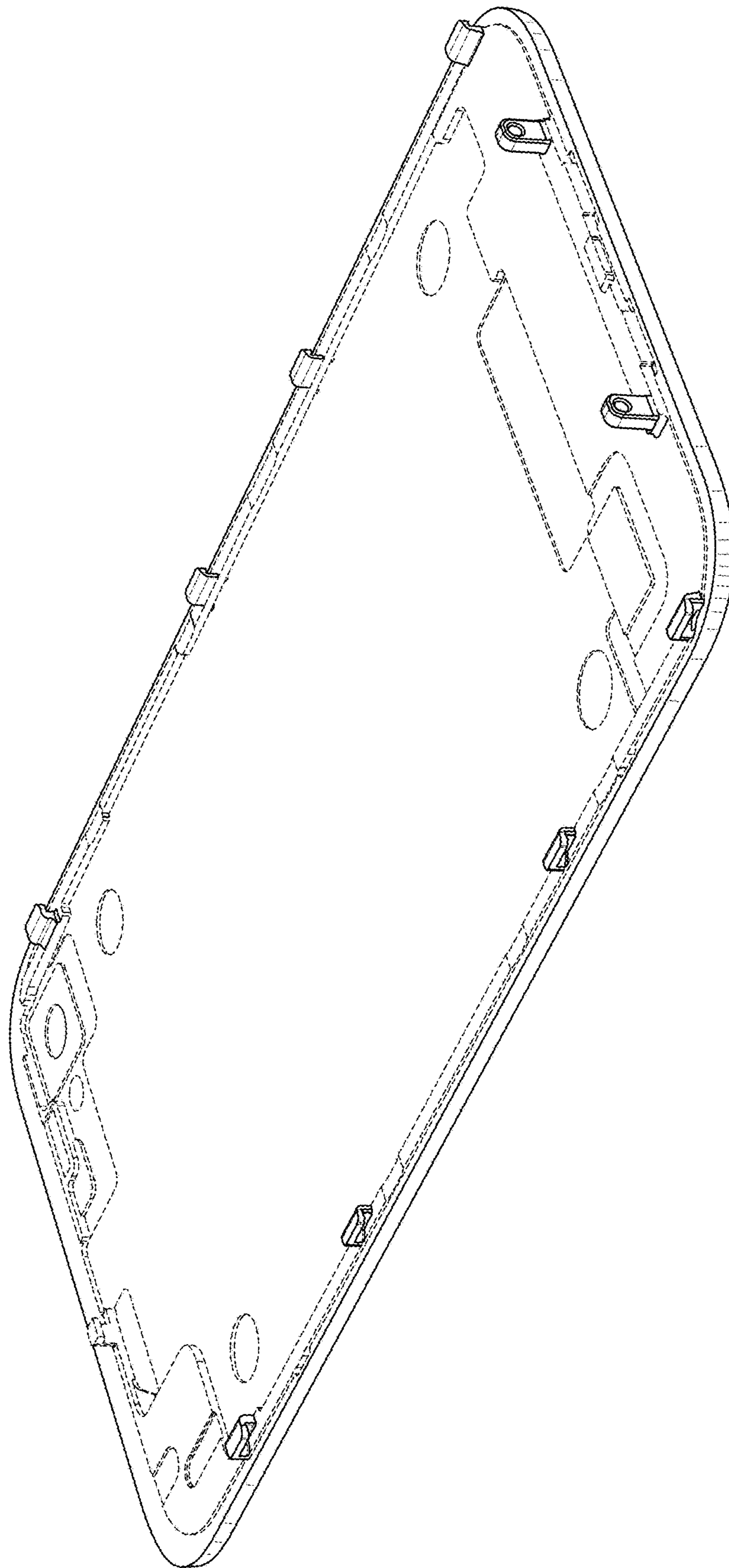


FIG. 3

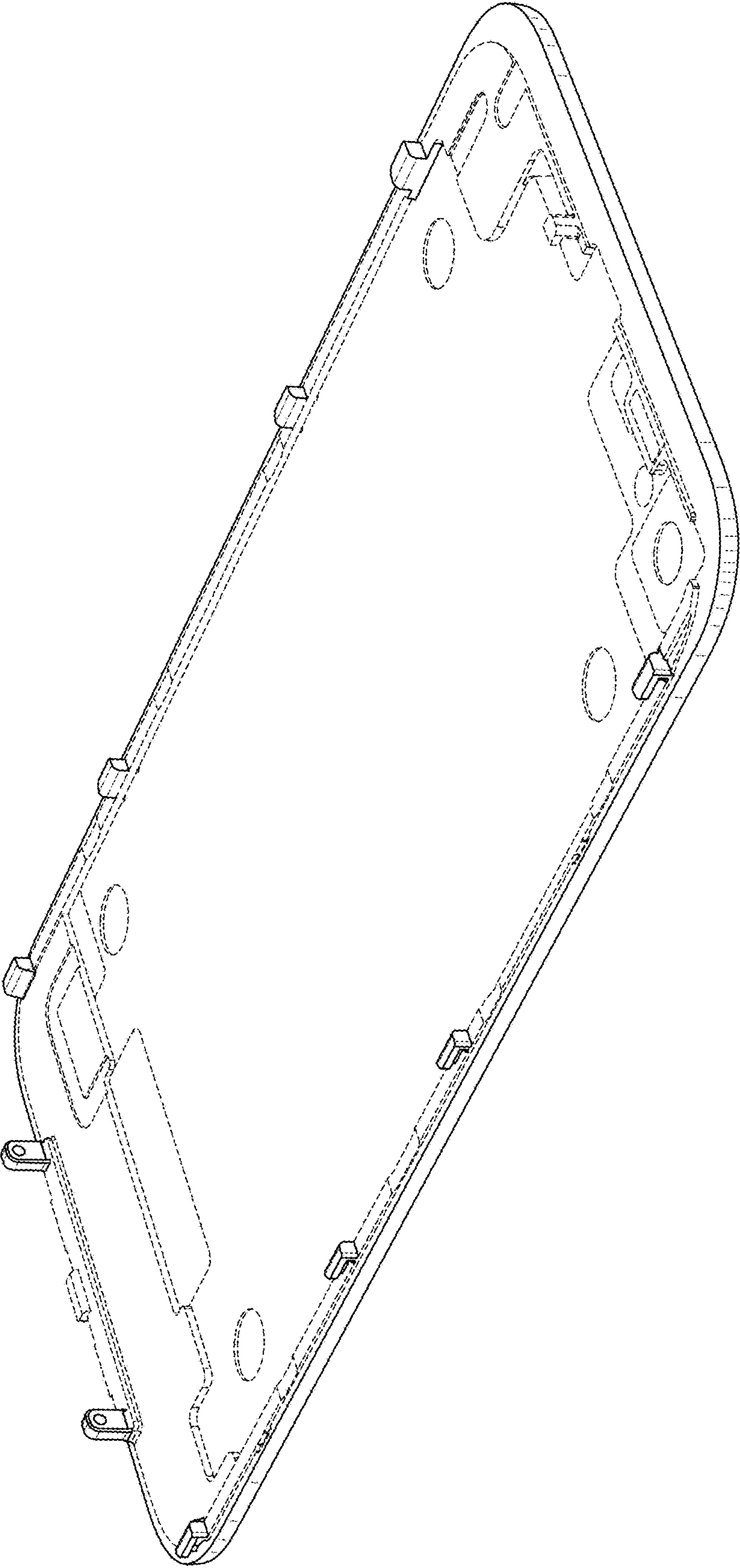


FIG. 4

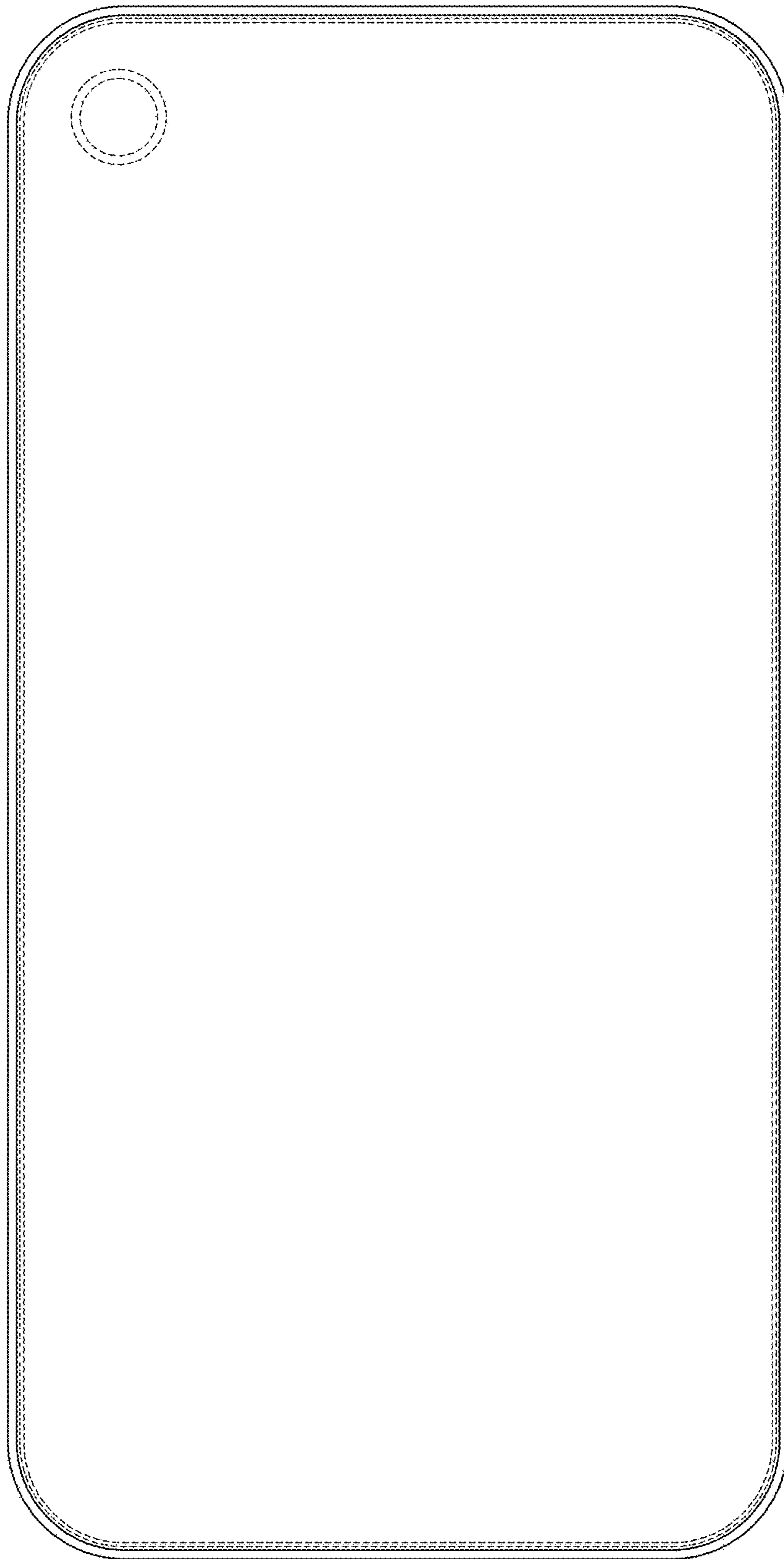


FIG. 5

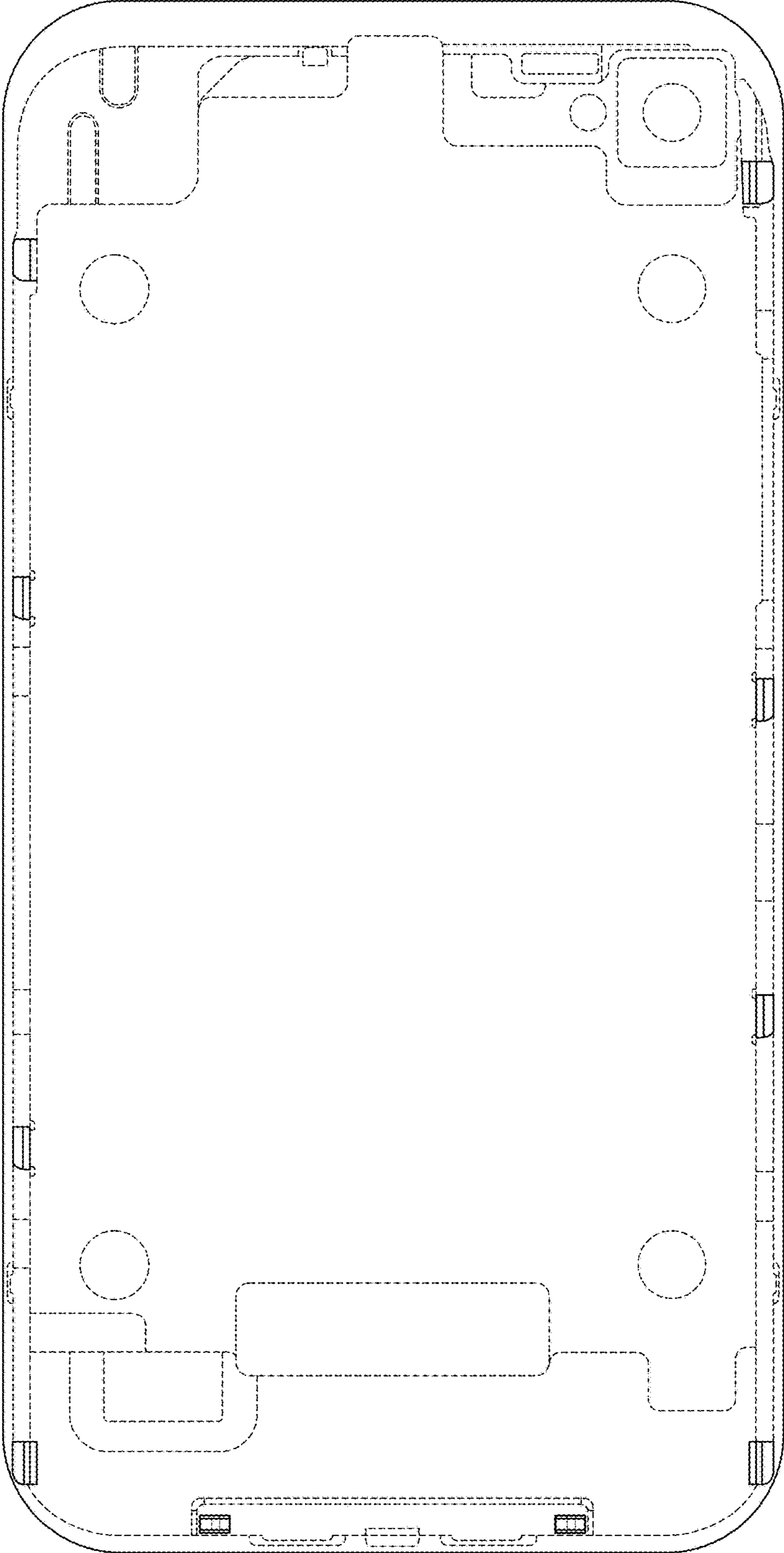
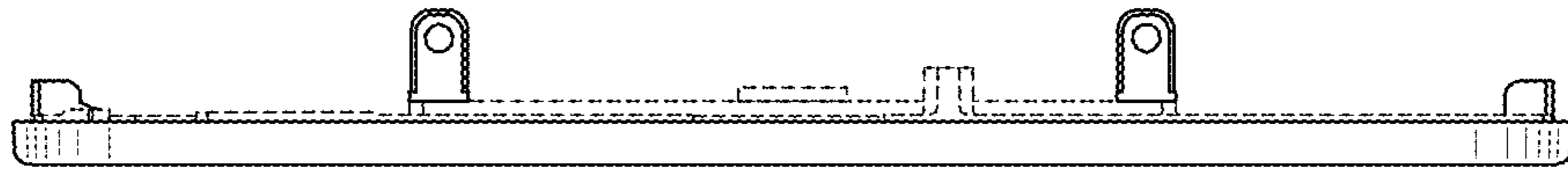
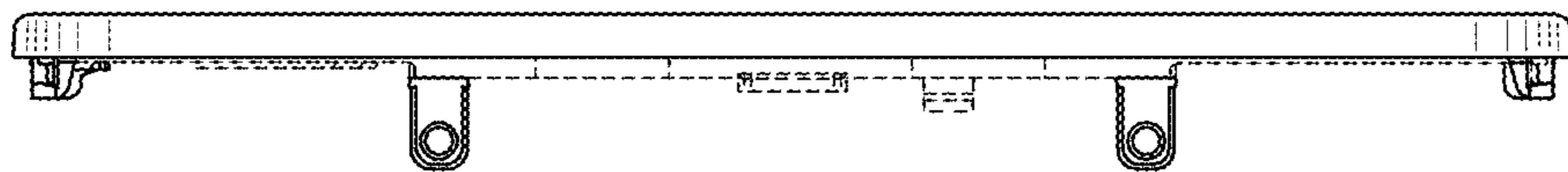


FIG. 6





**FIG. 7**



**FIG. 8**

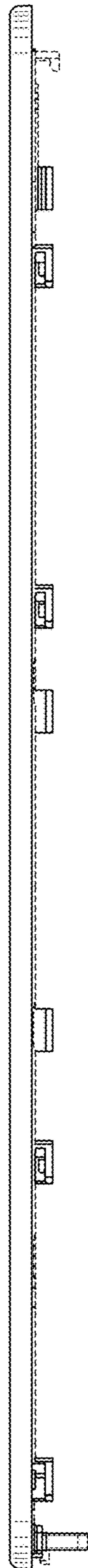


FIG. 9

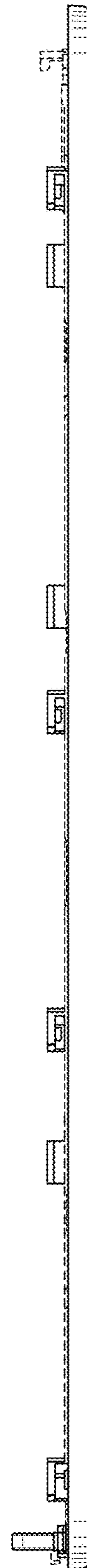


FIG. 10