



US00D824388S

(12) **United States Design Patent**
Fawcett et al.

(10) **Patent No.:** **US D824,388 S**
(45) **Date of Patent:** **** Jul. 31, 2018**

(54) **MAGNETIC CHARGING CABLE FOR A MOBILE DEVICE**

(71) Applicant: **FUSE CHICKEN, LLC**, Cuyahoga Falls, OH (US)

(72) Inventors: **Jonathan Eric Fawcett**, Stow, OH (US); **Aaron Daniel Marshall**, Uniontown, OH (US); **Cory James Tederous**, Stow, OH (US)

(73) Assignee: **FUSE CHICKEN, LLC**, Cuyahoga Falls, OH (US)

(**) Term: **15 Years**

(21) Appl. No.: **29/605,728**

(22) Filed: **May 30, 2017**

(51) **LOC (11) Cl.** **14-02**

(52) **U.S. Cl.**
USPC **D14/433; D13/147**

(58) **Field of Classification Search**
USPC D14/432–437, 439, 217, 218, 223, 238.1, D14/240, 242, 253, 356, 358; D13/103, D13/110, 133, 146, 158, 184, 147, 153
CPC H01R 31/00; H01R 31/06; H01R 31/065; H01R 27/00; H01R 27/02; H01R 25/00; H01R 25/003; H01R 25/006; G06F 1/1607; G06F 1/20

See application file for complete search history.

(56) **References Cited**

U.S. PATENT DOCUMENTS

D381,629 S * 7/1997 Goto D13/147
D449,275 S * 10/2001 Goto D13/147

(Continued)

OTHER PUBLICATIONS

Review: Fuse Chicken Titan Plus and Rivet Charge, Rivet Charge pictured therein, online, post date Jul. 13, 2017, <URL: <https://thetechhangout.com/2017/07/13/review-fuse-chicken-titan-plus-rivet-charge/>>, retrieved Jun. 6, 2018.*

thetechhangout.com/2017/07/13/review-fuse-chicken-titan-plus-rivet-charge/>, retrieved Jun. 6, 2018.*

Primary Examiner — Jeffrey D Asch
Assistant Examiner — Rebekah A Caruso

(74) *Attorney, Agent, or Firm* — Christopher C. Dremann, P.C.; Christopher C. Dremann

(57) **CLAIM**

The ornamental design for a magnetic charging cable for a mobile device, as shown and described.

DESCRIPTION

FIG. 1 is a perspective view of a first embodiment of a magnetic charging cable for a mobile device according to our design;

FIG. 2 is a front view of the magnetic charging cable of FIG. 1;

FIG. 3 is a rear view thereof;

FIG. 4 is a right side view thereof;

FIG. 5 is a left side view thereof;

FIG. 6 is a top view thereof;

FIG. 7 is a bottom view thereof;

FIG. 8 is a perspective view of a second embodiment of a magnetic charging cable for a mobile device according to our design;

FIG. 9 is a front view of the magnetic charging cable of FIG. 8;

FIG. 10 is a rear view thereof;

FIG. 11 is a right side view thereof;

FIG. 12 is a left side view thereof;

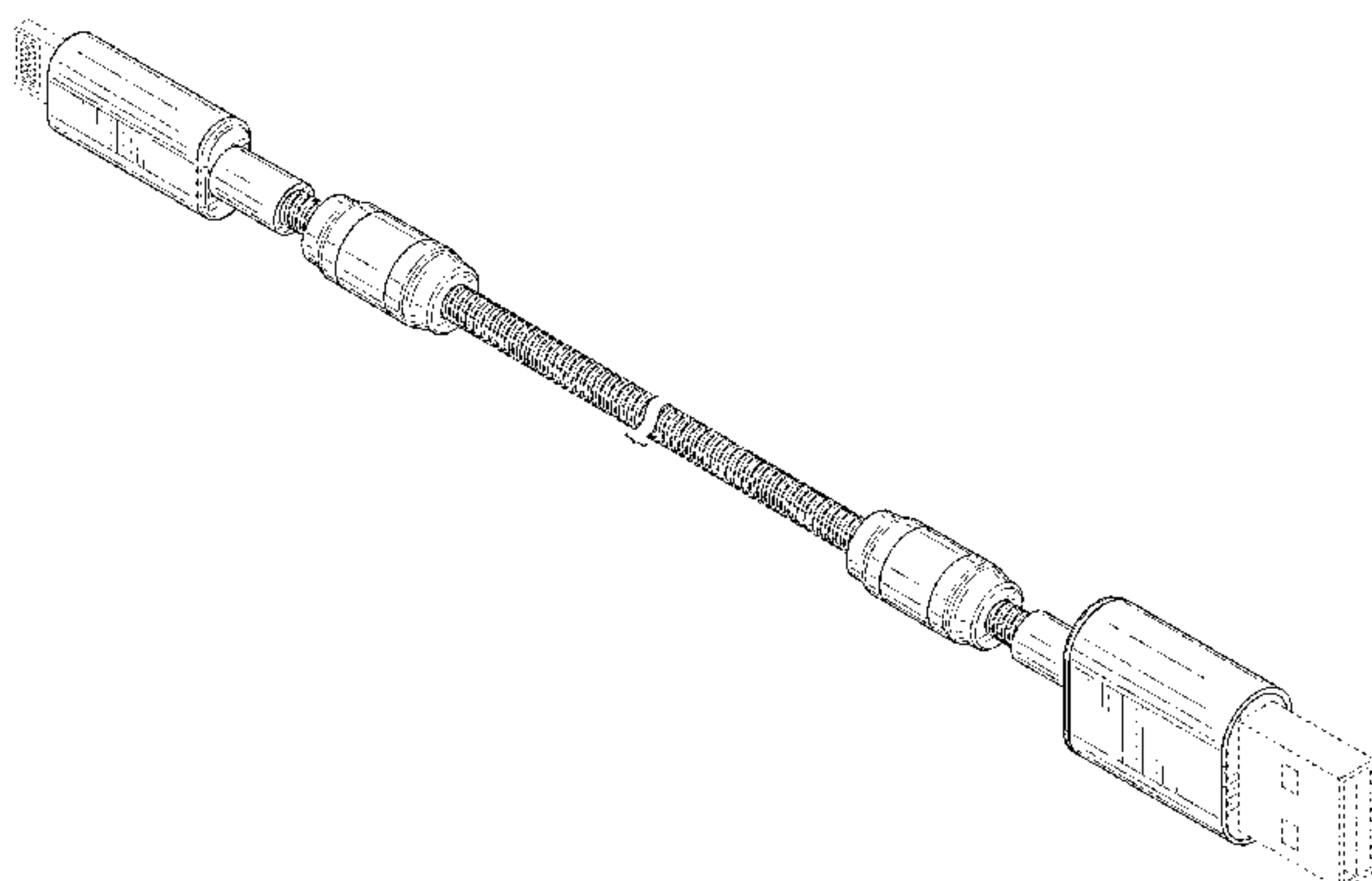
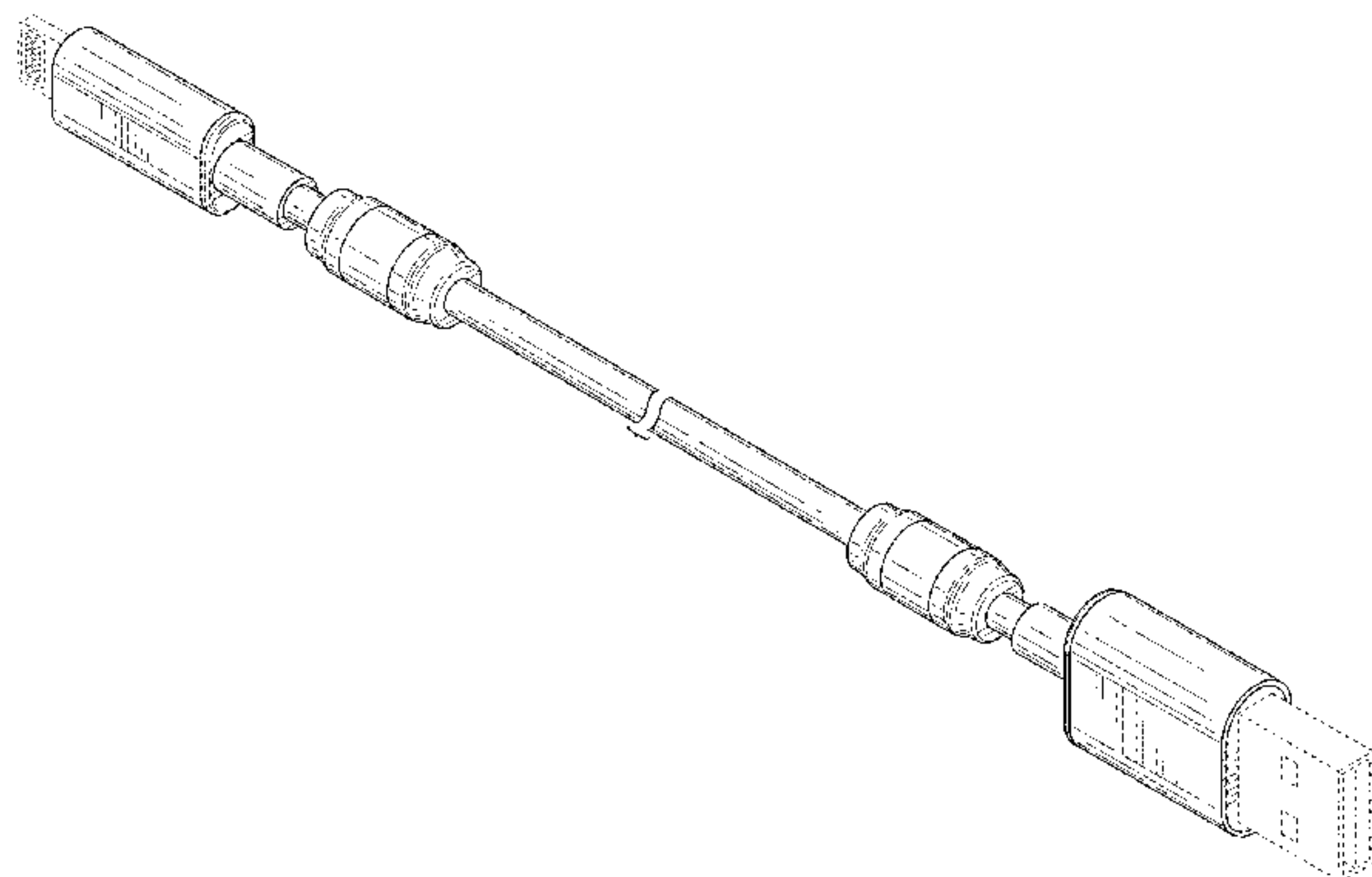
FIG. 13 is a top view thereof; and,

FIG. 14 is a bottom view thereof.

Features of the magnetic charging cable that are shown in broken lines are for illustrative purposes and form no part of the claimed design.

The magnetic charging cable is shown with a symbolic break in its length. The appearance of any portion of the article between the break lines forms no part of the claimed design.

1 Claim, 8 Drawing Sheets



(56)

References Cited

U.S. PATENT DOCUMENTS

D451,473	S	*	12/2001	Goto	D13/147
6,461,192	B1	*	10/2002	Kwoka	H01R 31/06 439/505
D549,660	S	*	8/2007	Zenri	D13/147
D585,835	S	*	2/2009	Jaqua	D13/147
D620,482	S	*	7/2010	Chen	D14/225
D636,337	S	*	4/2011	Smith	D13/147
8,043,122	B1	*	10/2011	Cho	H01R 31/005 439/501
D692,390	S	*	10/2013	Smith	D13/133
D738,312	S	*	9/2015	Bress	D13/147
D748,460	S	*	2/2016	Byrne	D8/381
D760,720	S	*	7/2016	Laffon de Mazieres	D14/433
D794,567	S	*	8/2017	Fries	D13/133
D795,816	S	*	8/2017	He	D13/153
D798,825	S	*	10/2017	Hahn	D13/153
D800,731	S	*	10/2017	He	D14/433
D804,291	S	*	12/2017	Fawcett	D8/356

* cited by examiner

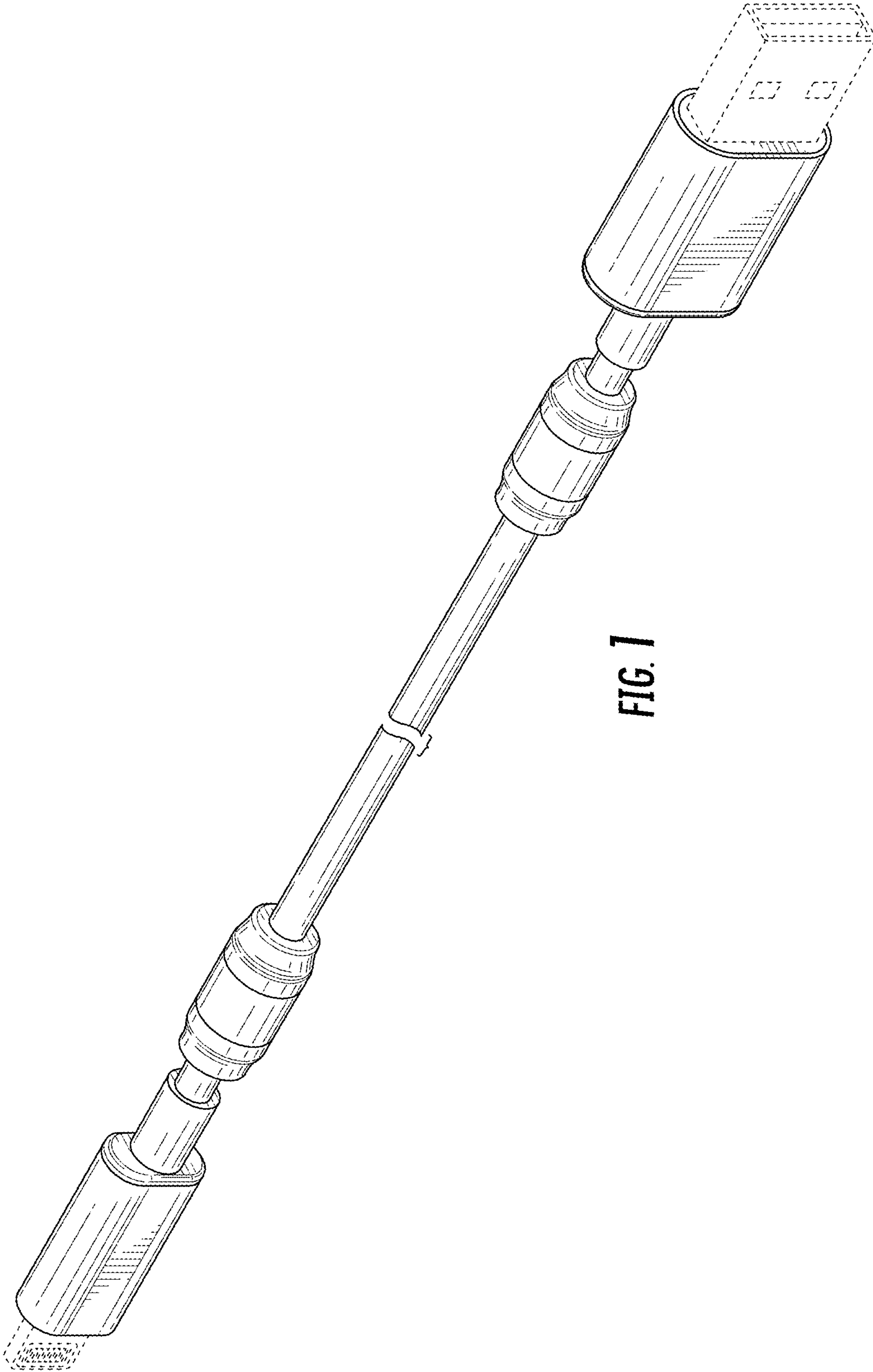


FIG. 1

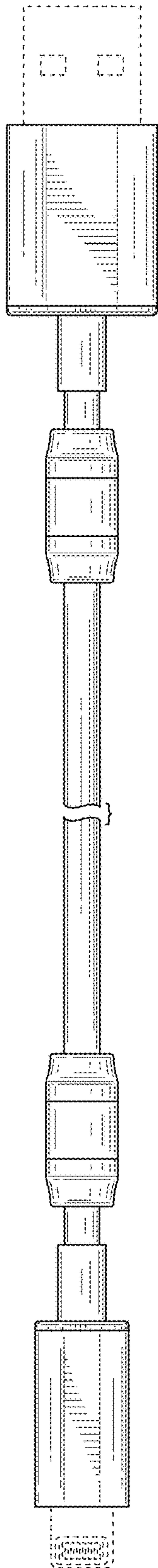


FIG. 2

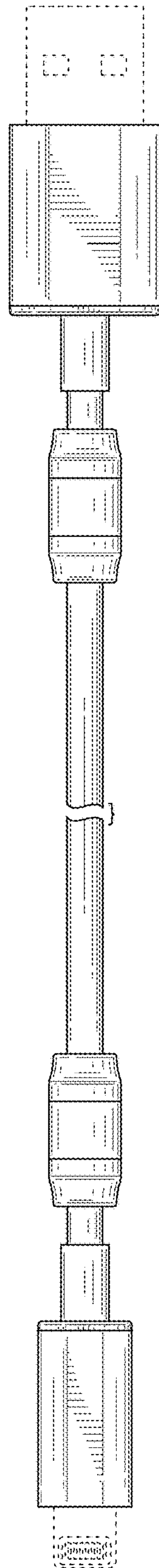


FIG. 3

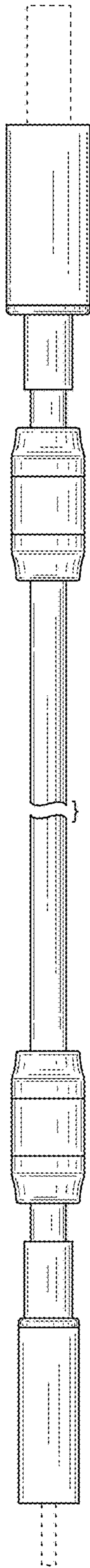


FIG. 4

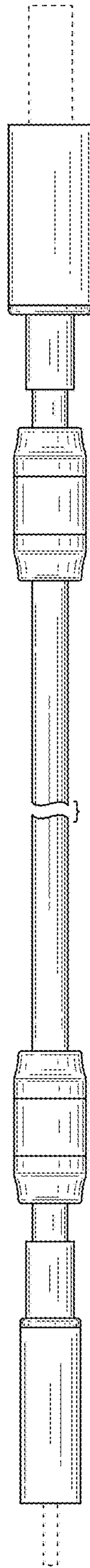


FIG. 5

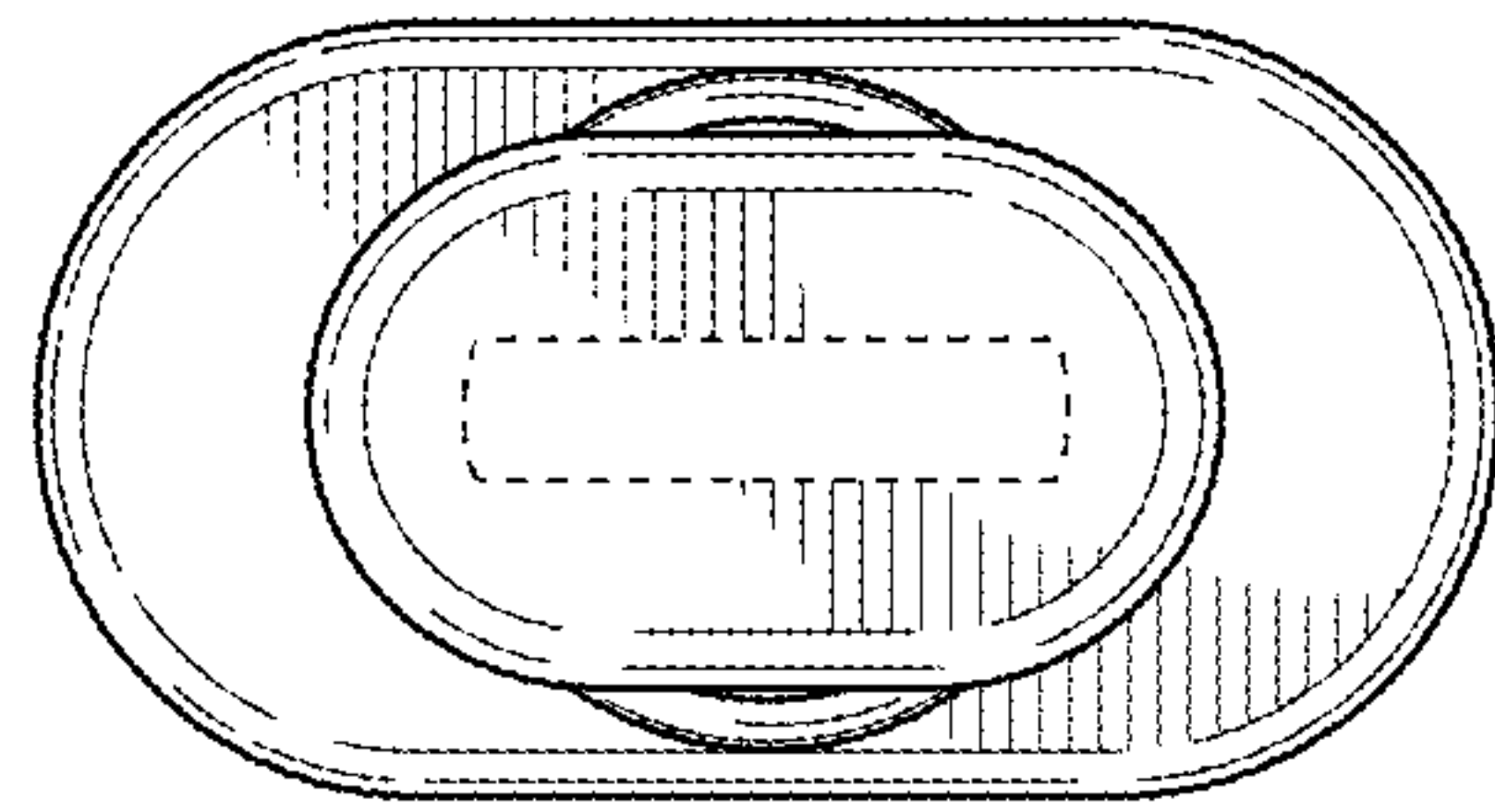


FIG. 7

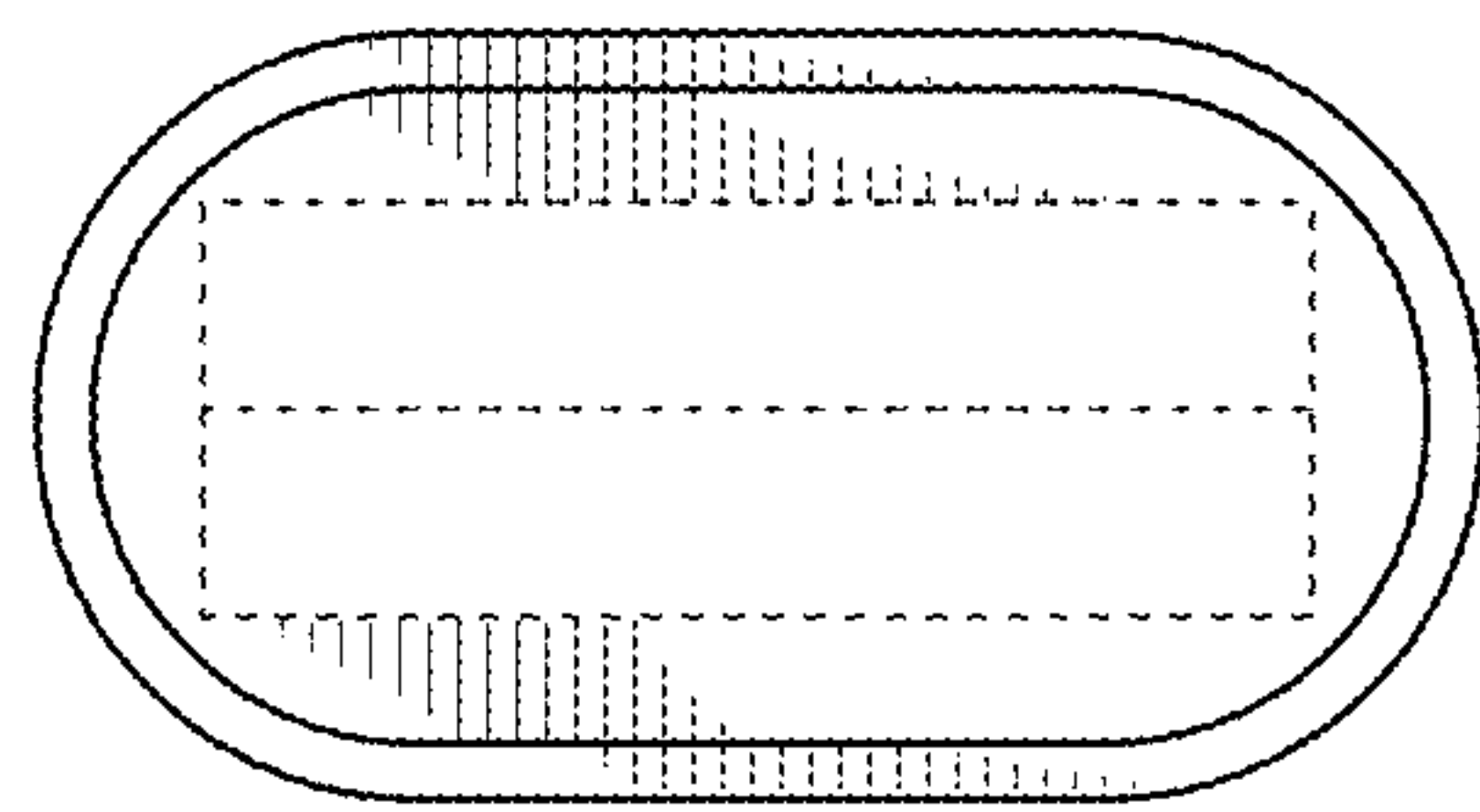


FIG. 6

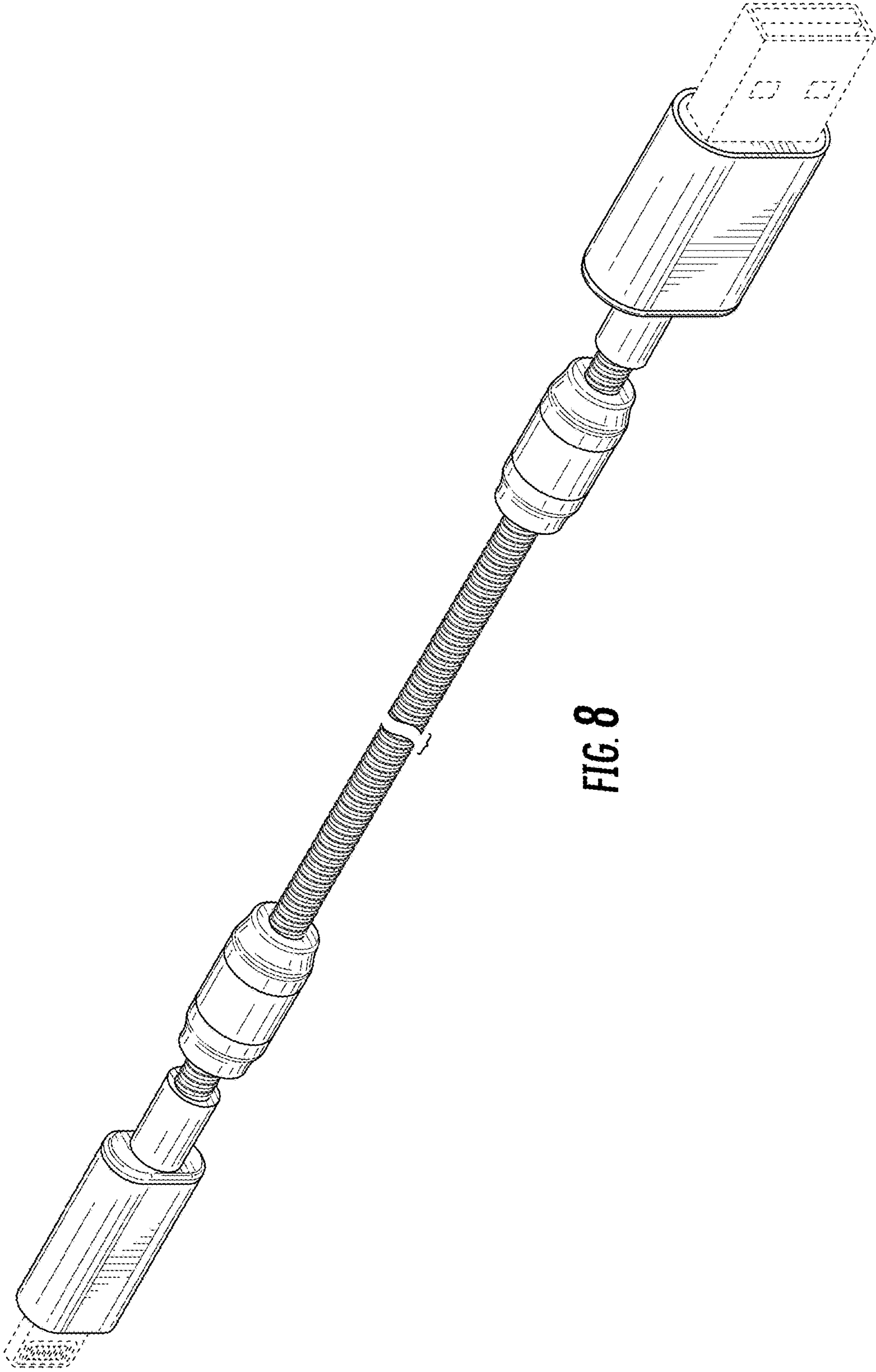


FIG. 8

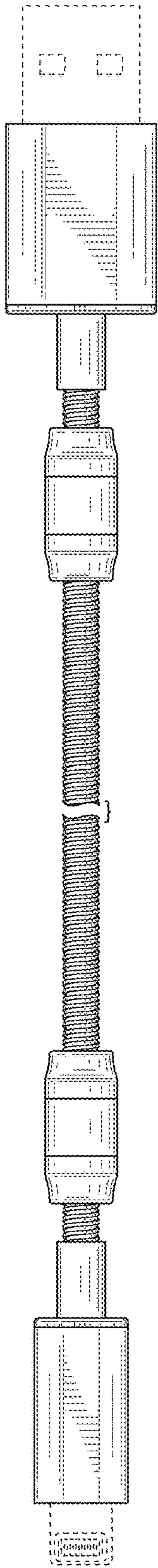


FIG. 9

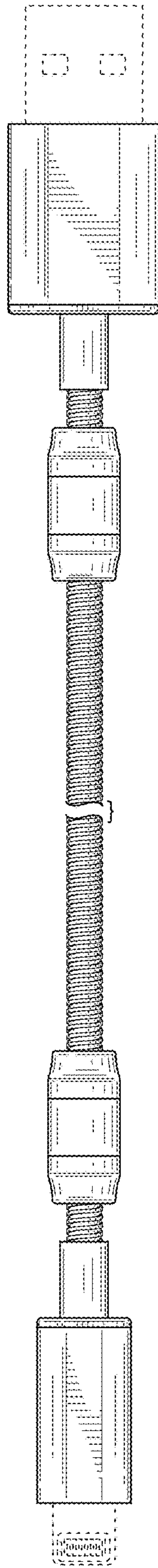


FIG. 10

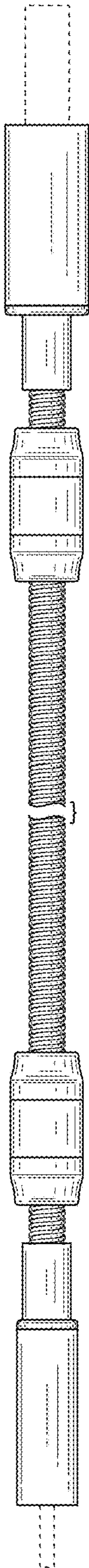


FIG. 11

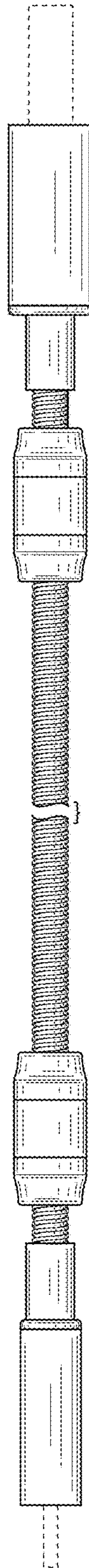


FIG. 12

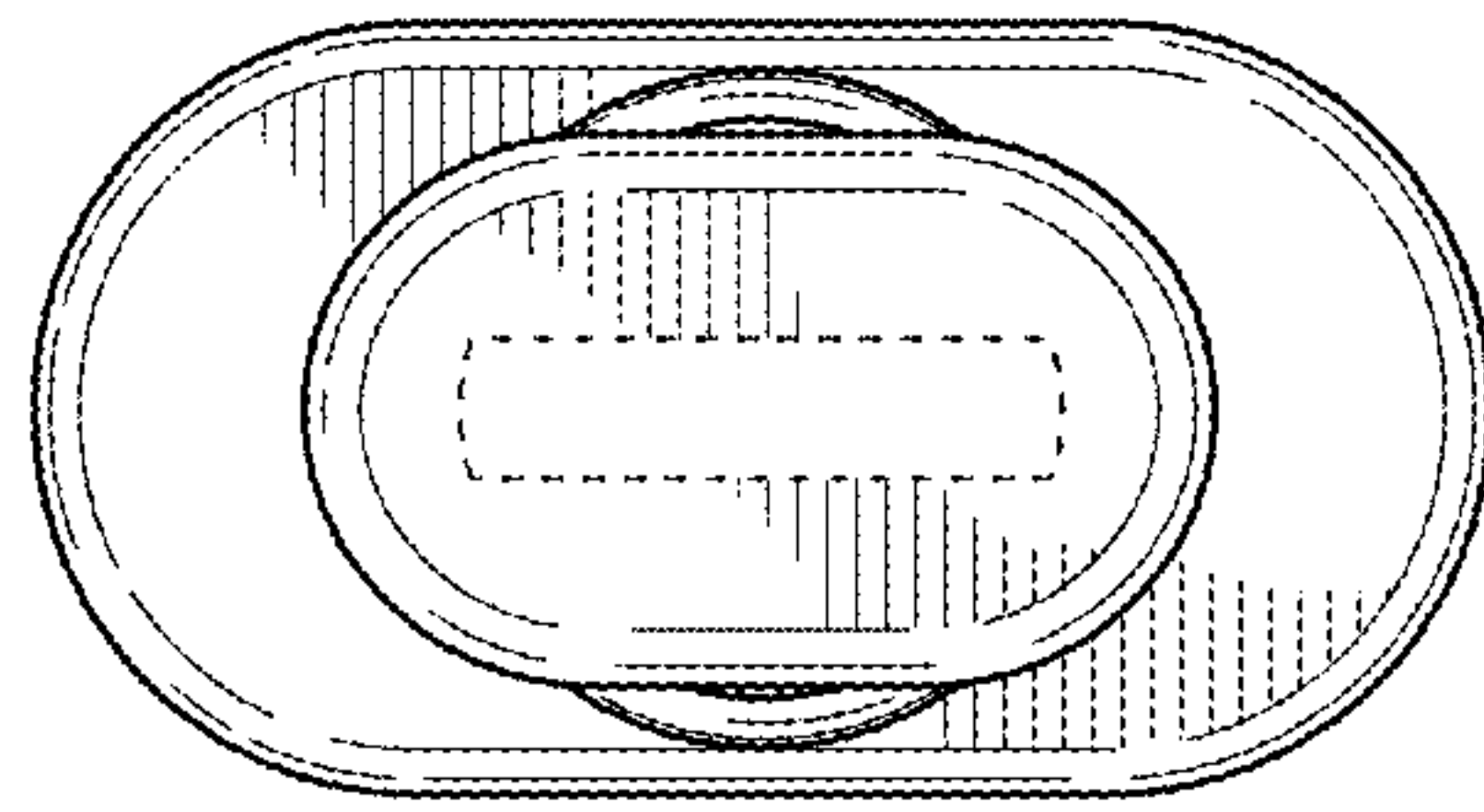


FIG. 14

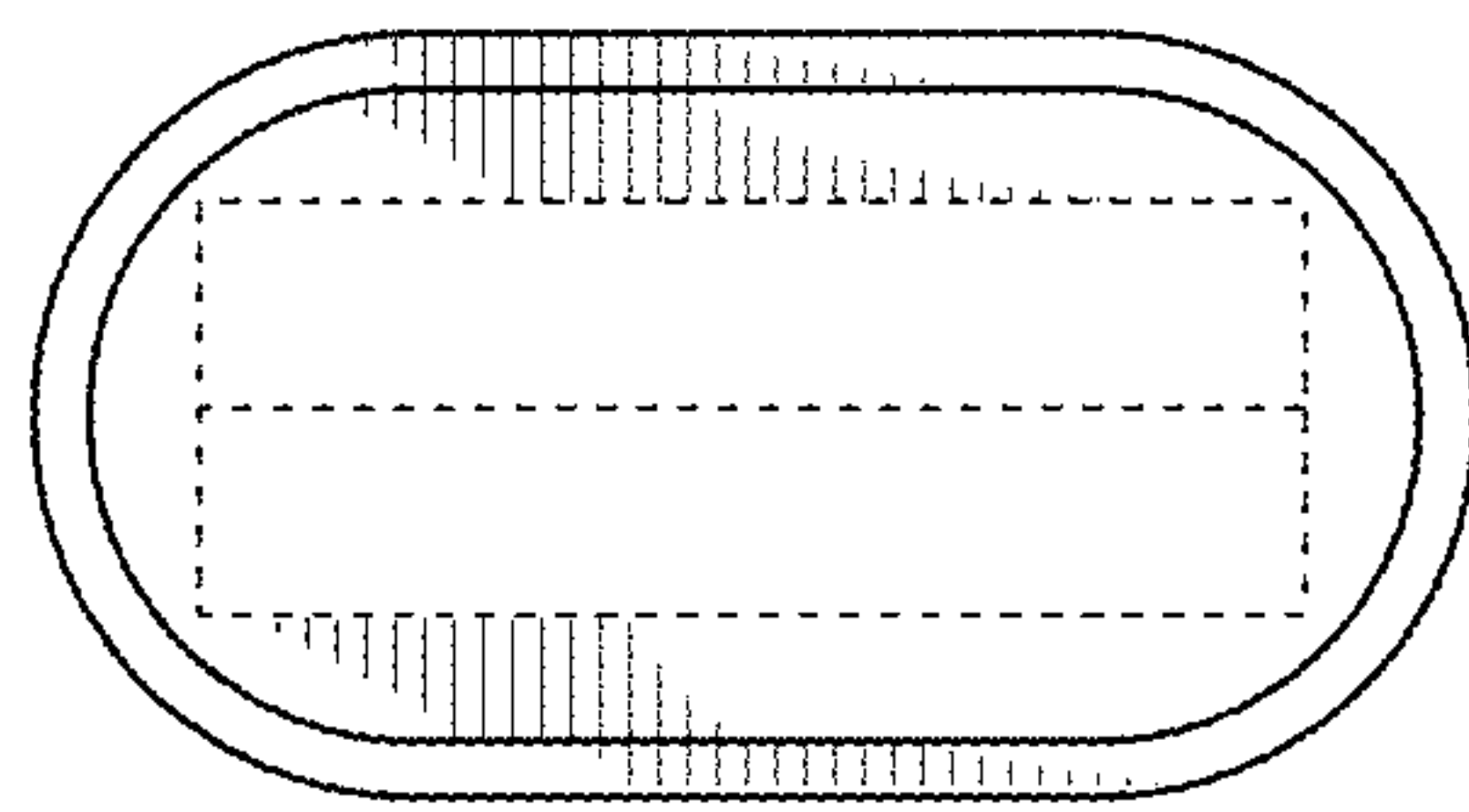


FIG. 13