



US00D824386S

(12) **United States Design Patent**
Lefebvre

(10) **Patent No.:** **US D824,386 S**

(45) **Date of Patent:** **** *Jul. 31, 2018**

(54) **COMPUTER DISPLAY AND SPEAKER COMBINATION**

(71) Applicant: **Sergio Lefebvre**, Katy, TX (US)

(72) Inventor: **Sergio Lefebvre**, Katy, TX (US)

(*) Notice: This patent is subject to a terminal disclaimer.

(**) Term: **15 Years**

(21) Appl. No.: **29/586,926**

(22) Filed: **Dec. 7, 2016**

(51) **LOC (11) Cl.** **14-02**

(52) **U.S. Cl.**
USPC **D14/371**

(58) **Field of Classification Search**
USPC D14/371–375, 125–129, 336, 337;
D6/300, 308; D19/113, 114; D20/10
CPC G09F 15/0025; G09F 15/0062; G09F
15/0068; G06F 1/16; G06F 1/1613; G06F
1/133308; G06F 1/1601; G06F 3/037;
G06F 1/162; F16M 11/02; F16M 11/10;
F16M 11/00; F16M 11/06; F16M 11/18;
F16M 11/045; F16M 11/105; F16M
11/041; F16M 11/126; F16M 11/04;
F16M 11/24; F16M 13/02; A47F 5/00
See application file for complete search history.

(56) **References Cited**

U.S. PATENT DOCUMENTS

D427,169 S * 6/2000 Saeki D14/126
D462,353 S * 9/2002 Kita D14/374

D465,490 S * 11/2002 Wei D14/374
D495,331 S * 8/2004 Liu D14/371
D502,152 S * 2/2005 Peng D14/126
D571,744 S * 6/2008 Wang D14/126
D600,233 S * 9/2009 Birsel D14/127
D645,467 S * 9/2011 Mitsuhashi D14/374
D739,365 S * 9/2015 Garcia D14/126
2005/0088463 A1 * 4/2005 Schilling G09G 3/20
345/699

* cited by examiner

Primary Examiner — Freda S Nunn

(74) *Attorney, Agent, or Firm* — Karen B. Tripp

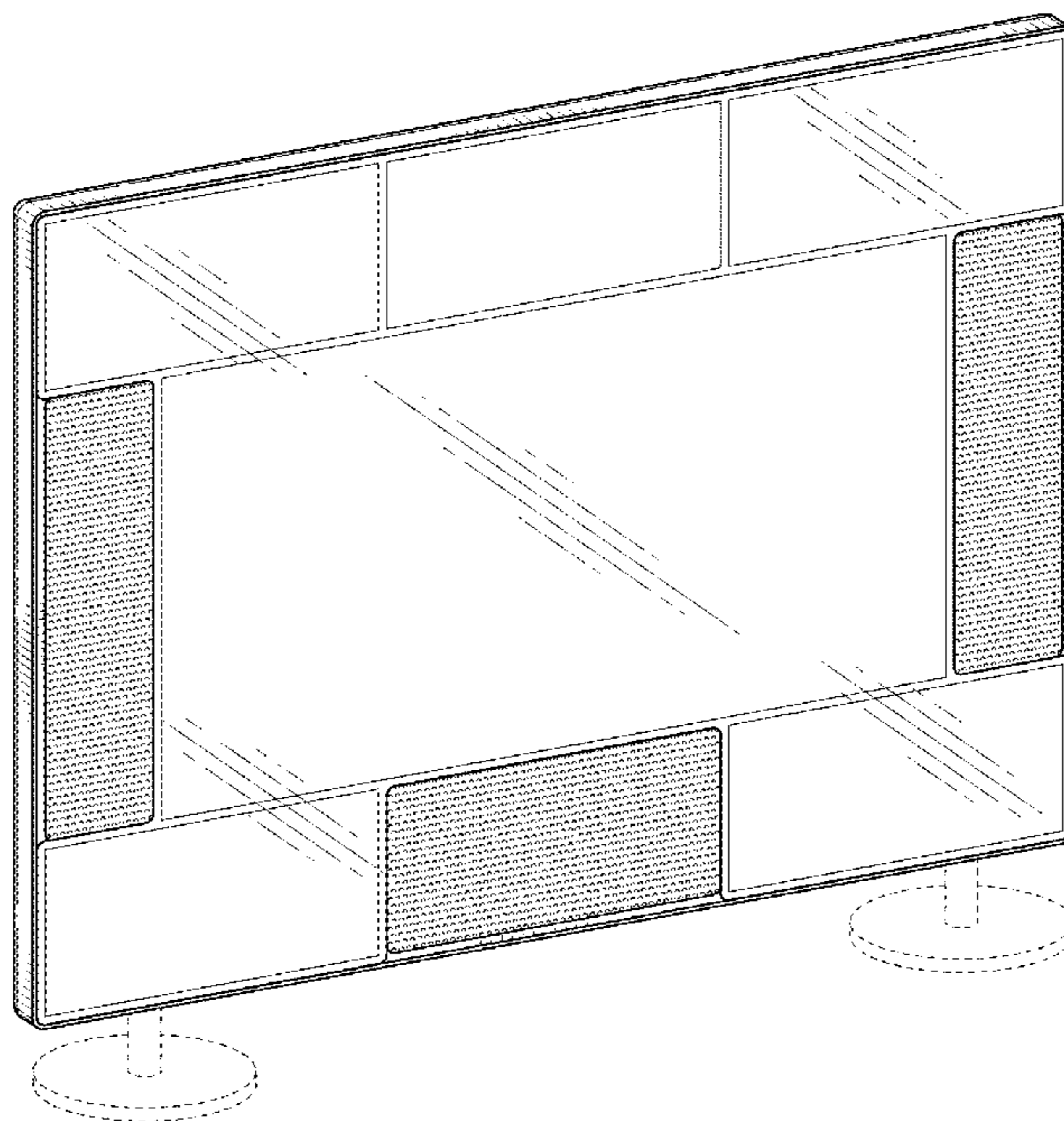
(57) **CLAIM**

I claim the ornamental design for a computer display and speaker combination, as shown and described.

DESCRIPTION

FIG. 1 is a perspective front view of a computer display and speaker combination of my new design.
FIG. 2 is a front view of the computer display and speaker combination of FIG. 1.
FIG. 3 is a back view of the computer display and speaker combination of FIG. 1.
FIG. 4 is a right side view of the computer display and speaker combination of FIG. 1.
FIG. 5 is a left side view of the computer display and speaker combination of FIG. 1.
FIG. 6 is a top view of the computer display and speaker combination of FIG. 1; and,
FIG. 7 is a bottom view of the computer display and speaker combination of FIG. 1.
Broken lines shown in the drawings represent environment only and form no part of the claimed design.

1 Claim, 4 Drawing Sheets



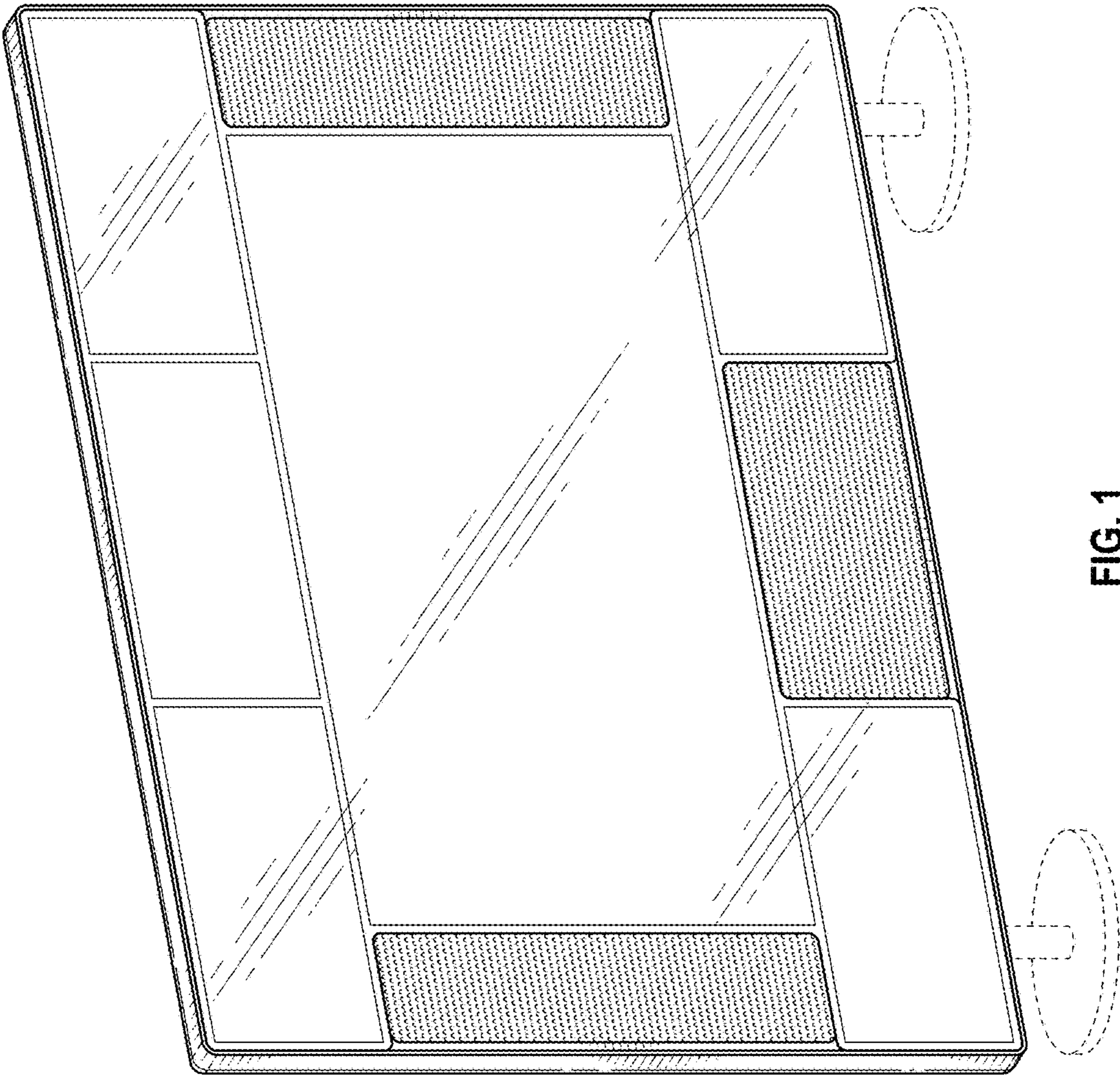


FIG. 1

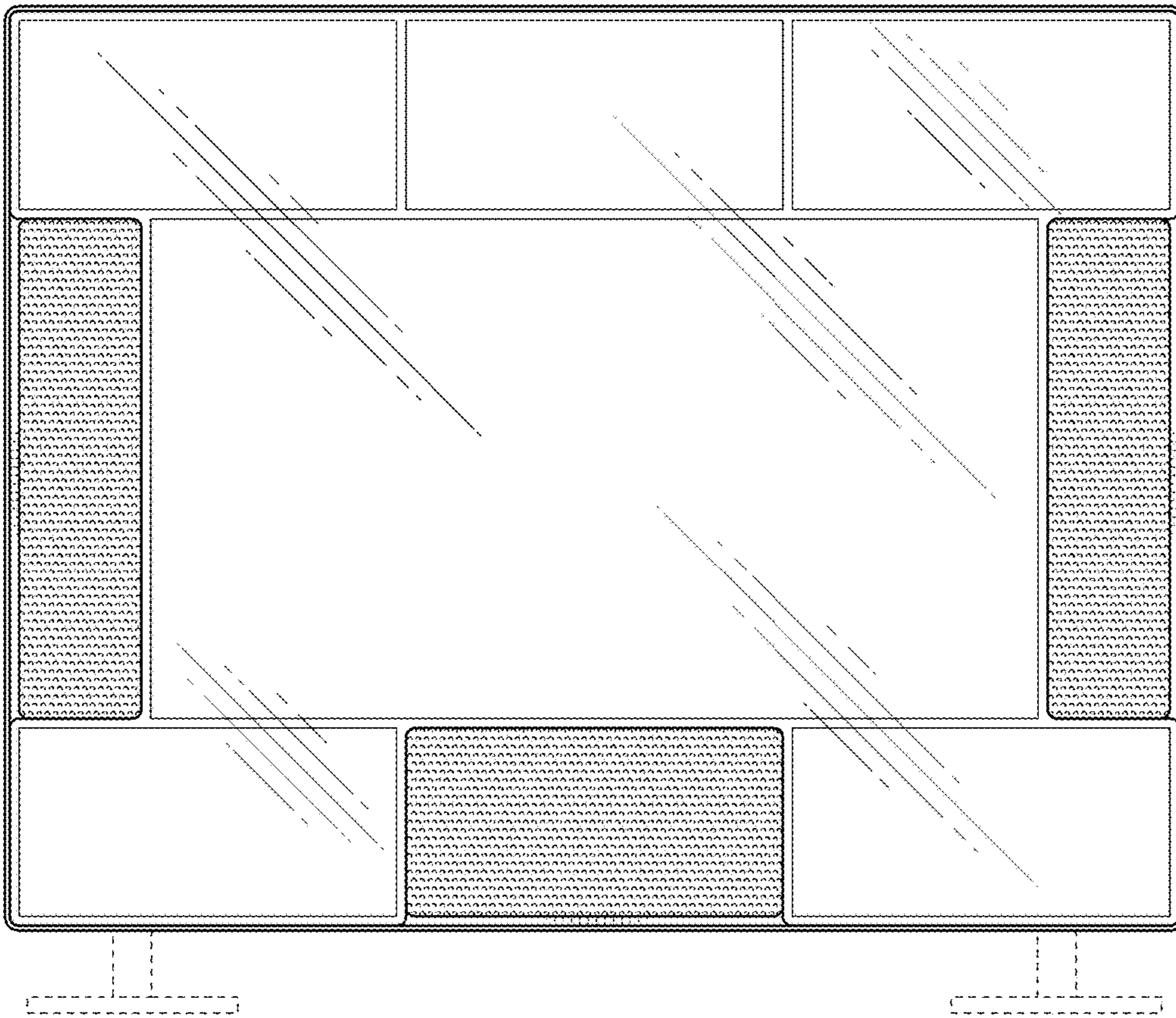


FIG. 2

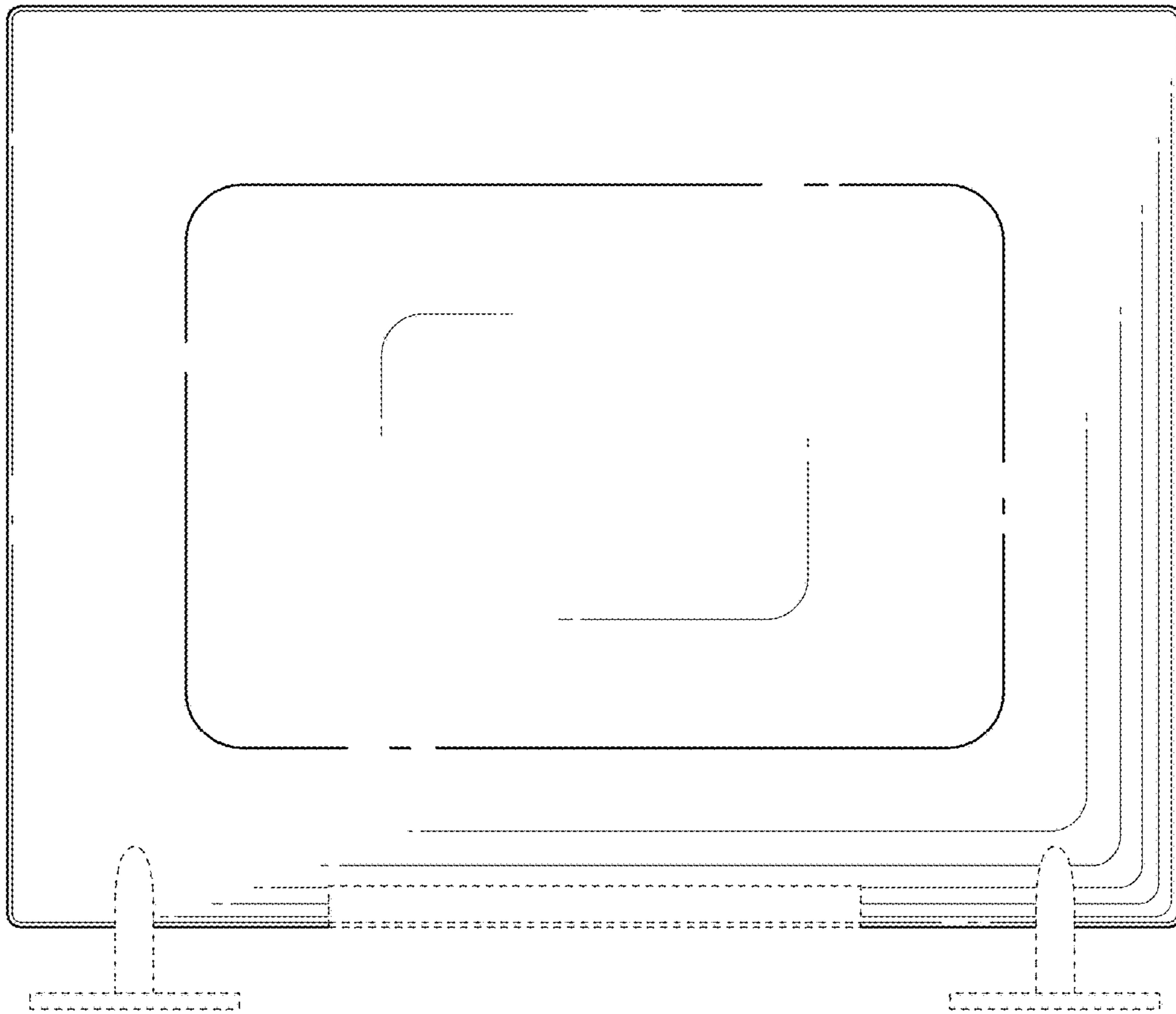


FIG. 3

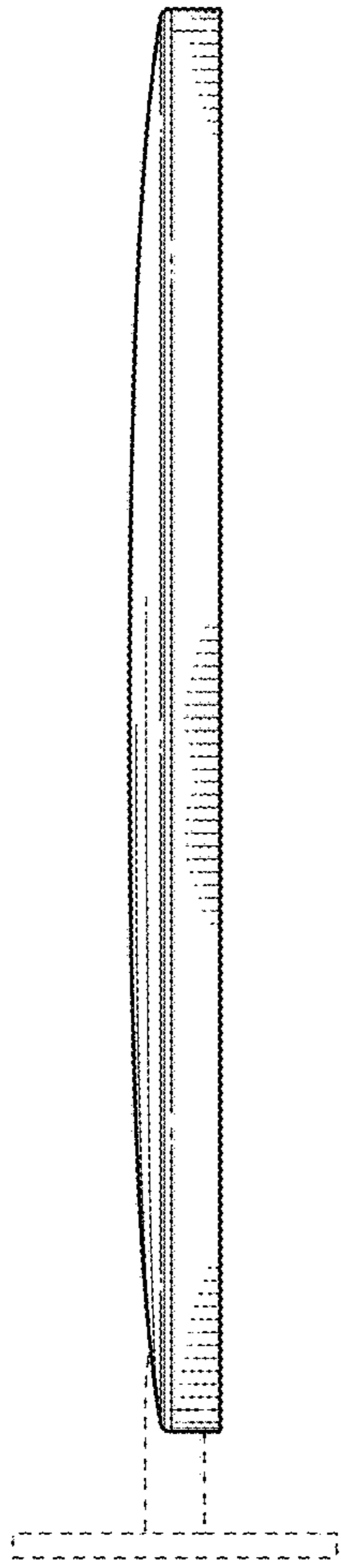


FIG. 4

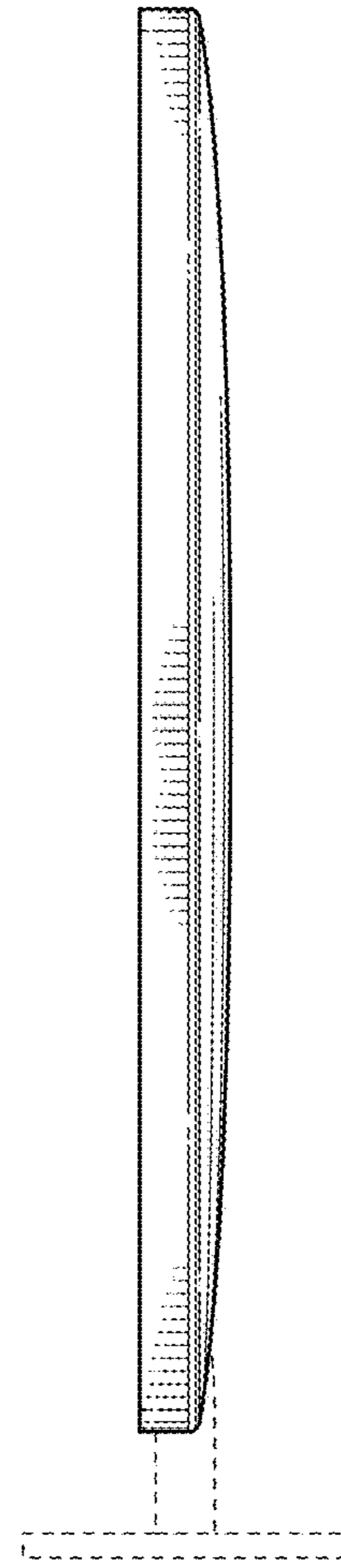


FIG. 5

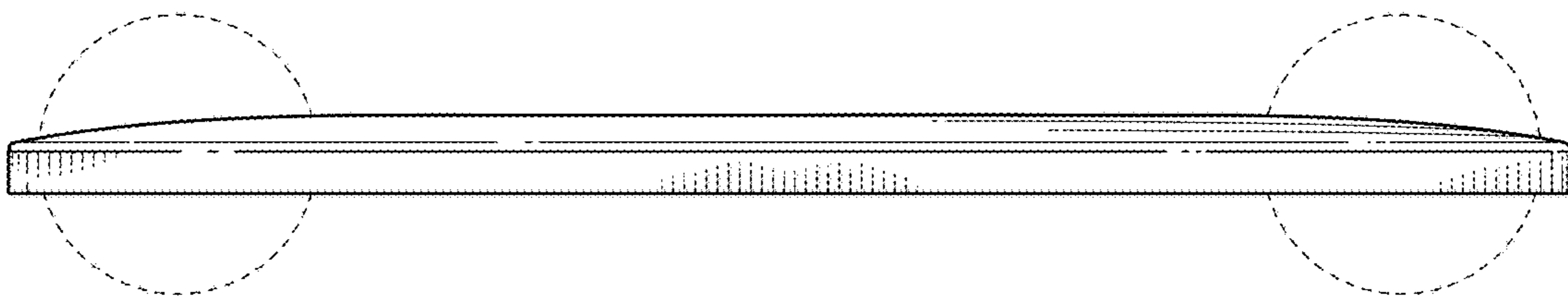


FIG. 6

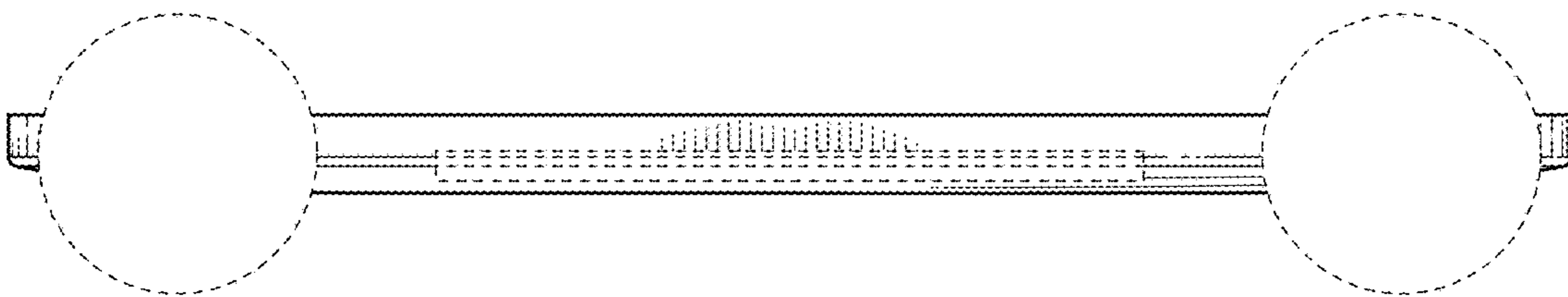


FIG. 7