



US00D824383S

(12) **United States Design Patent** (10) **Patent No.:** **US D824,383 S**  
**Wall et al.** (45) **Date of Patent:** **\*\* Jul. 31, 2018**

(54) **ELECTRONIC DEVICE**

(56) **References Cited**

(71) Applicant: **Amazon Technologies, Inc.**, Seattle, WA (US)  
(72) Inventors: **Timothy Eli Wall**, San Francisco, CA (US); **Christopher Green**, San Francisco, CA (US); **Wilfrido Loor Canizares**, San Francisco, CA (US)  
(73) Assignee: **Amazon Technologies, Inc.**, Seattle, WA (US)

U.S. PATENT DOCUMENTS

4,725,694 A	2/1988	Auer et al.	
D319,434 S	8/1991	Lund	
D348,661 S	7/1994	Hansen et al.	
D350,555 S	9/1994	Field et al.	
5,692,815 A	12/1997	Murphy	
D390,861 S	2/1998	Liao	
D628,199 S	11/2010	Yukikado et al.	
D645,435 S *	9/2011	Kim .....	D14/138 G
D654,498 S *	2/2012	Hwang .....	D14/341
D664,540 S *	7/2012	Kim .....	D14/341

(Continued)

(\*\*) Term: **15 Years**  
(21) Appl. No.: **29/594,346**  
(22) Filed: **Feb. 17, 2017**

OTHER PUBLICATIONS

The Indian Office Action dated Jul. 20, 2016 for Indian Design Application No. 282635, a counterpart foreign application of Design U.S. Appl. No. 29/542,764, 2 pages.  
(Continued)

**Related U.S. Application Data**

(63) Continuation of application No. 29/542,764, filed on Oct. 16, 2015, now Pat. No. Des. 779,483.

*Primary Examiner* — Katie Jane Stofko  
(74) *Attorney, Agent, or Firm* — Lee & Hayes, PLLC

(51) **LOC (11) Cl.** ..... **14-02**

(57) **CLAIM**

(52) **U.S. Cl.**  
USPC ..... **D14/341**

The ornamental design for an electronic device, as shown and described.

(58) **Field of Classification Search**

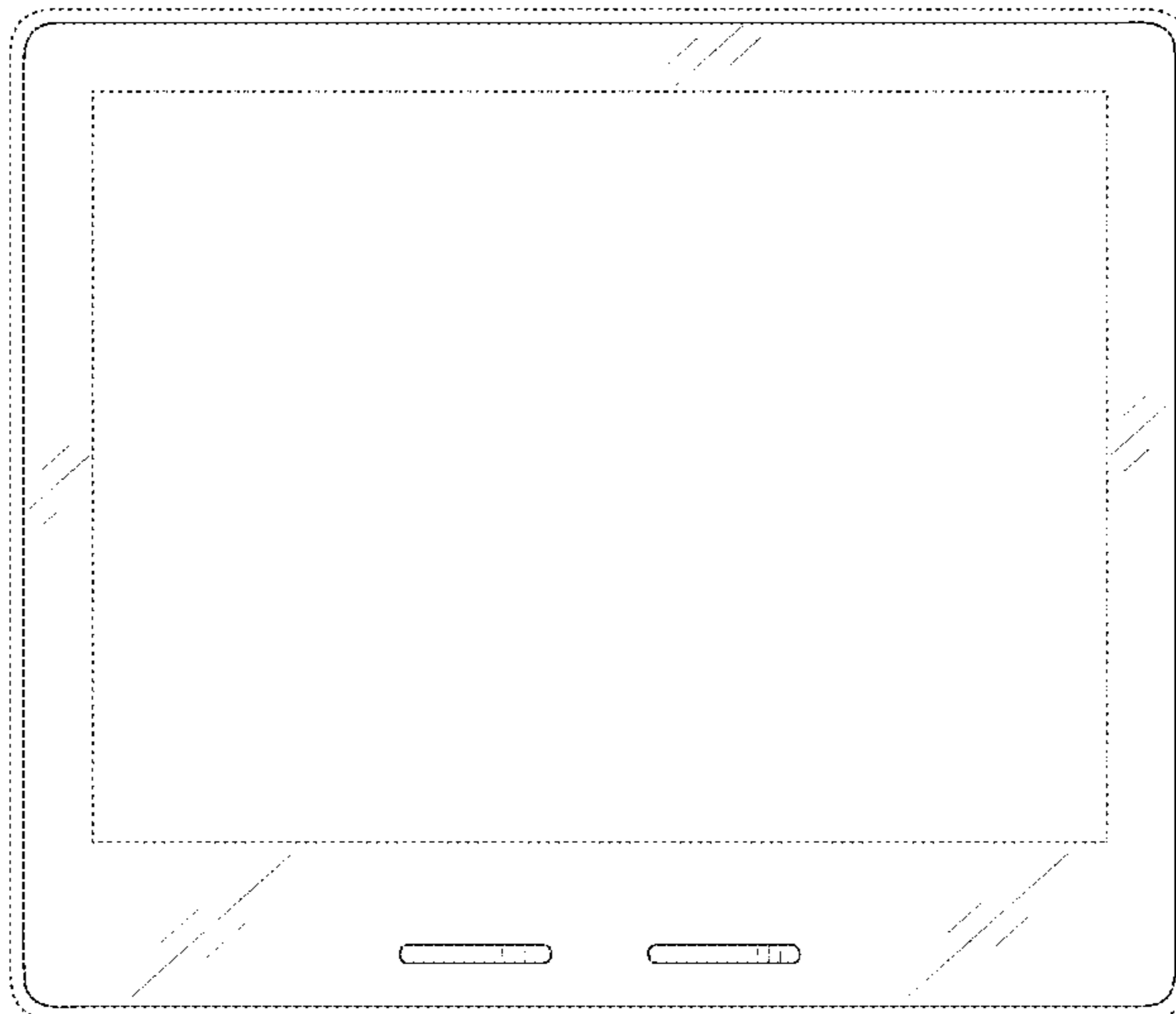
**DESCRIPTION**

USPC ..... D14/341-347, 137, 138 R, 138 AA, D14/138 C, 138 G, 496, 203.1, 203.3, D14/203.4, 203.7, 129, 130, 147, 218, D14/248, 389, 388, 426, 420, 440; D10/65, 104.1; D18/6, 7; D21/324, 329, D21/330; 455/556.1, 556.2, 566, 575.1, 455/90.3; 379/433.04, 433.01, 433.06, 379/916; 345/173, 901, 905; 361/679.26, 670.3, 679.55, 679.56  
CPC .... H04M 1/00; H04M 11/066; H04M 1/2478; H04M 1/72519; H04M 2201/38; H04M 2250/22; G06F 15/00

FIG. 1 is a front perspective view of an electronic device; FIG. 2 is a back perspective view of the electronic device; FIG. 3 is a front view of the electronic device; FIG. 4 is a back view of the electronic device; FIG. 5 is a right-side view of the electronic device; FIG. 6 is a left-side view of the electronic device; FIG. 7 is a top view of the electronic device; and, FIG. 8 is a bottom view of the electronic device. The broken lines in the drawings depict portions of the electronic device which form no part of the claimed design.

See application file for complete search history.

**1 Claim, 6 Drawing Sheets**



(56)

**References Cited**

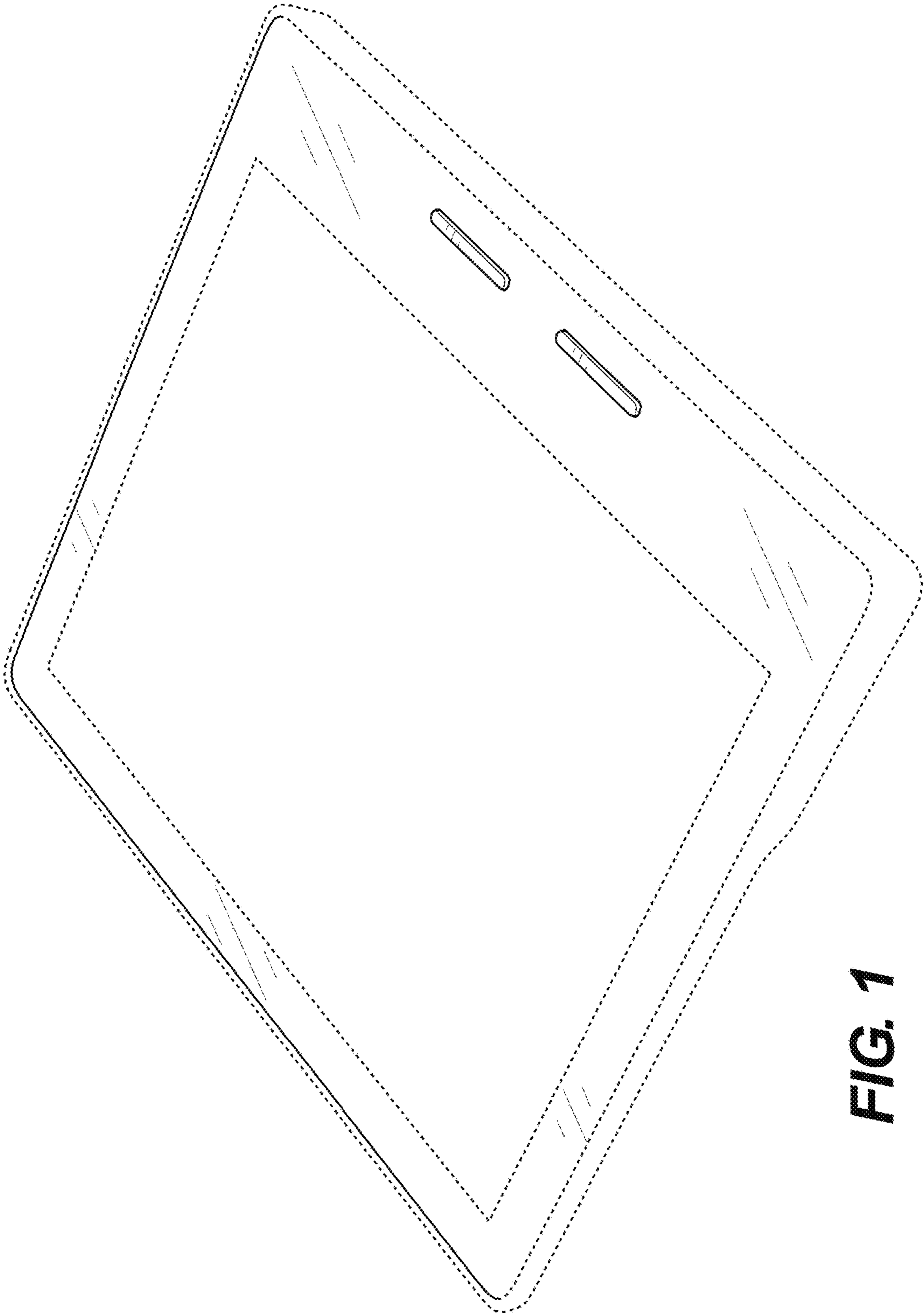
U.S. PATENT DOCUMENTS

D664,954 S \* 8/2012 Kim ..... D14/341  
D673,952 S 1/2013 Toda et al.  
D675,613 S 2/2013 Chu et al.  
D685,783 S \* 7/2013 Bryan ..... D14/341  
D691,996 S \* 10/2013 Ohshima ..... D14/341  
D692,420 S 10/2013 McManigal et al.  
D695,249 S \* 12/2013 Kim ..... D14/138 G  
D697,065 S \* 1/2014 Kim ..... D14/138 AD  
D702,233 S \* 4/2014 Lee ..... D14/341  
D712,400 S \* 9/2014 Kim ..... D14/341  
D718,308 S 11/2014 Nishizawa  
D724,582 S 3/2015 Kim et al.  
D735,717 S \* 8/2015 Lam ..... D14/341  
D748,630 S 2/2016 Helwig et al.  
D763,252 S \* 8/2016 Lee ..... D14/341  
D763,847 S \* 8/2016 Lee ..... D14/341

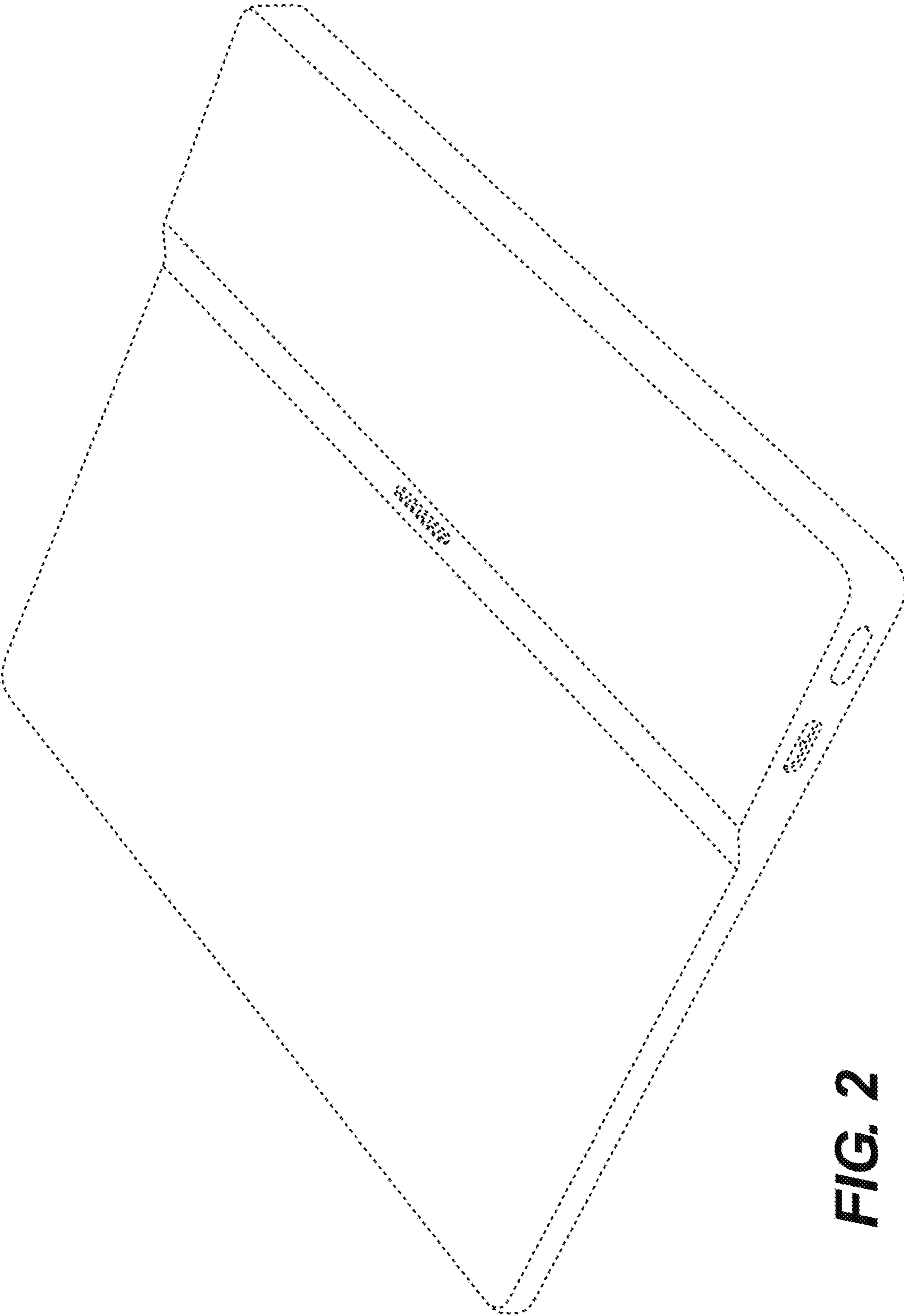
OTHER PUBLICATIONS

The Indian Hearing Letter mailed May 31, 2017 for Indian design application No. 282635, a counterpart foreign application of Design U.S. Pat. No. D. 779,483, 1 page.

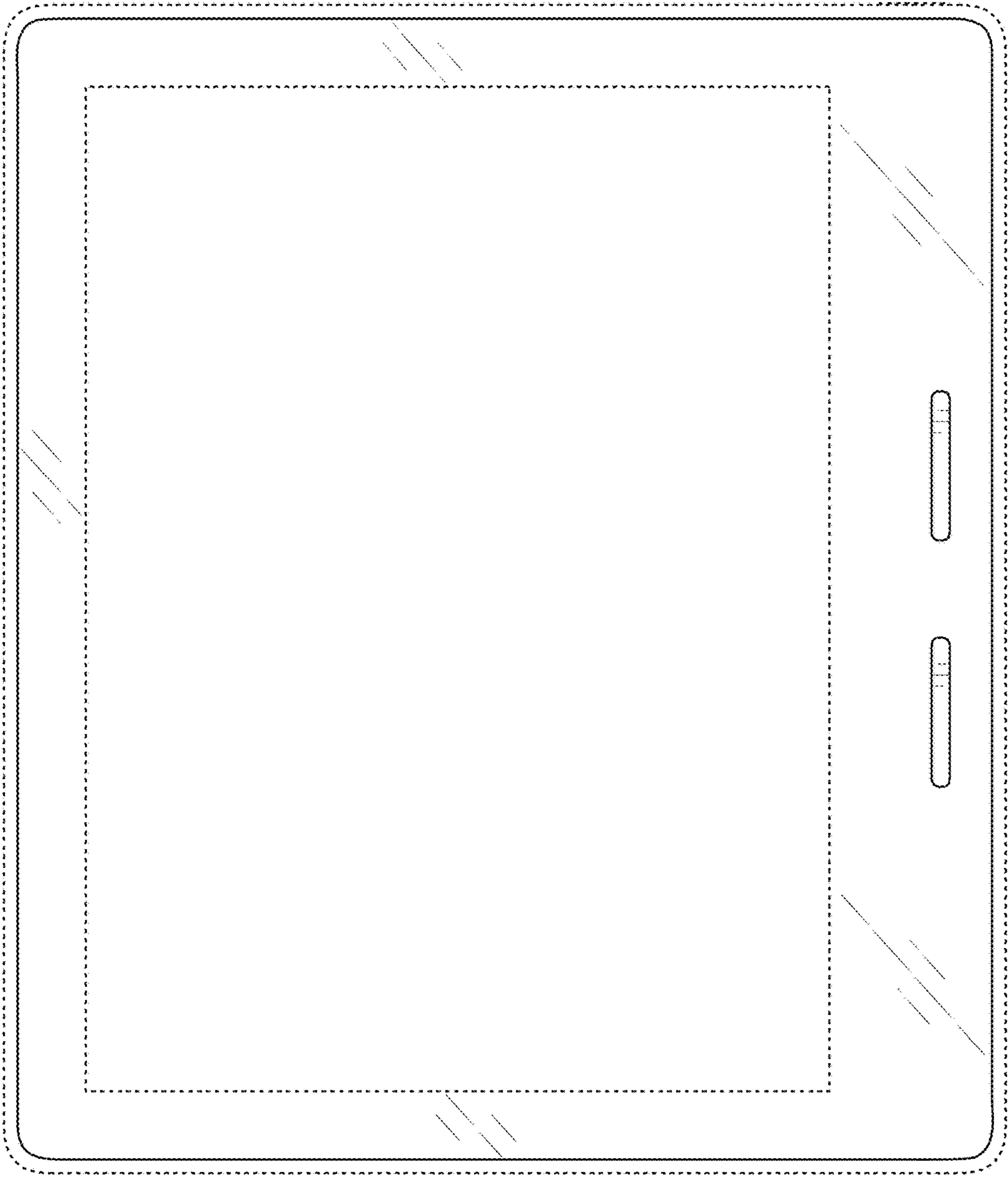
\* cited by examiner



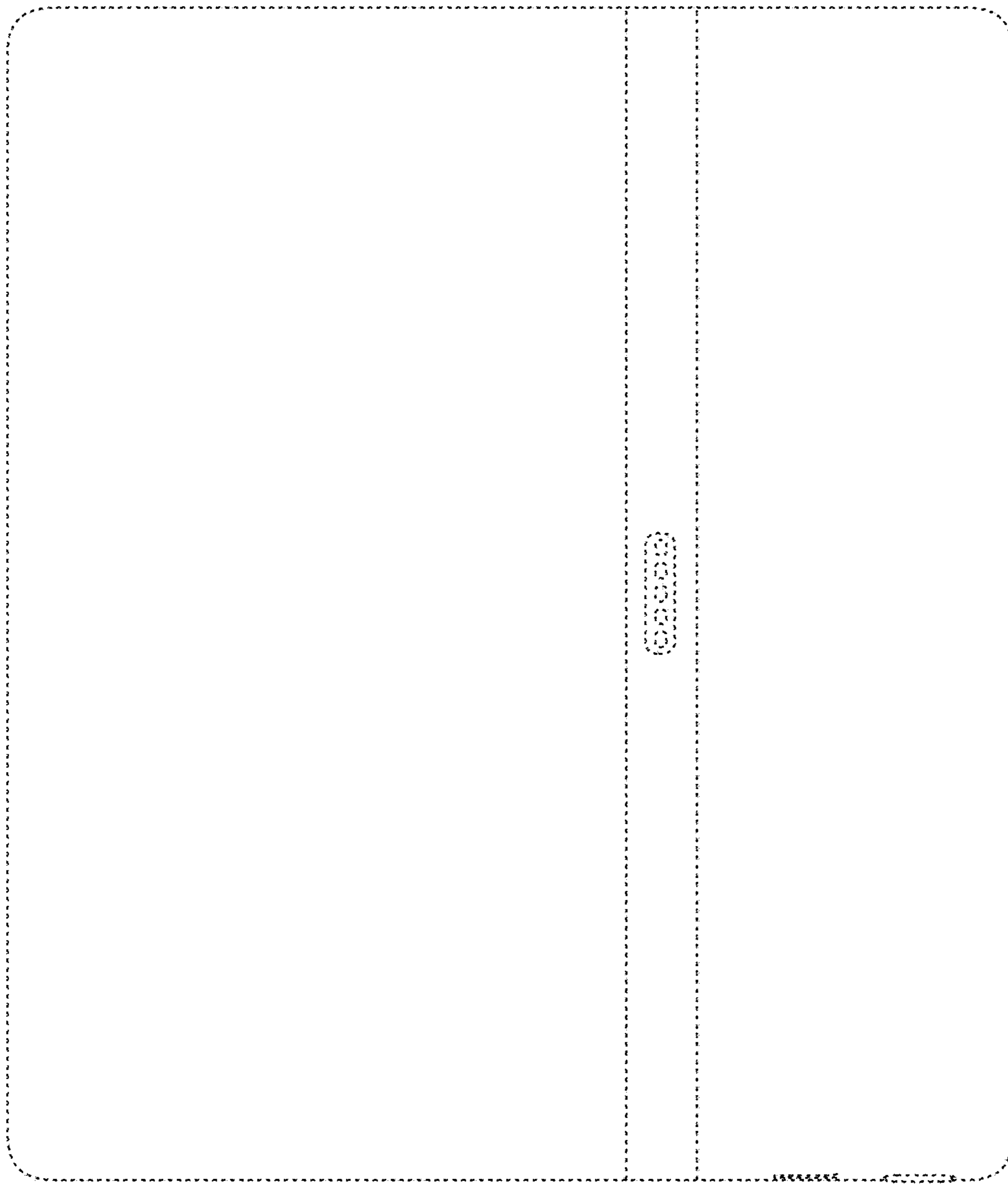
**FIG. 1**



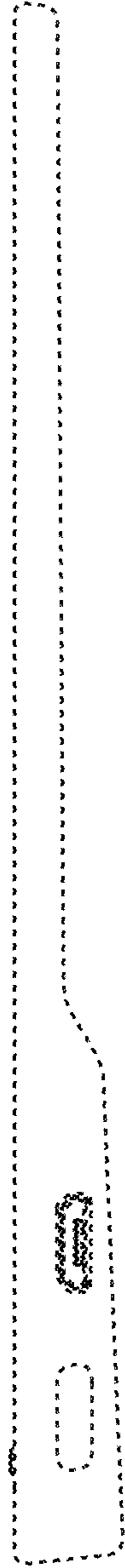
**FIG. 2**



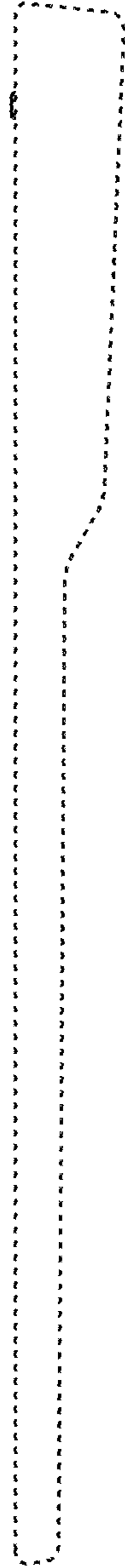
**FIG. 3**



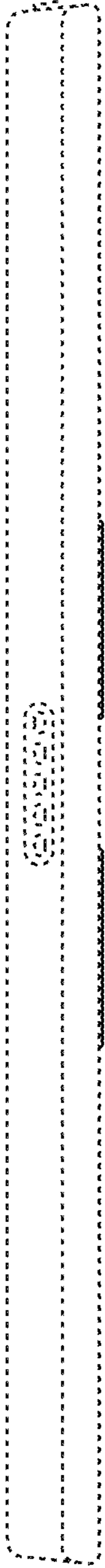
**FIG. 4**



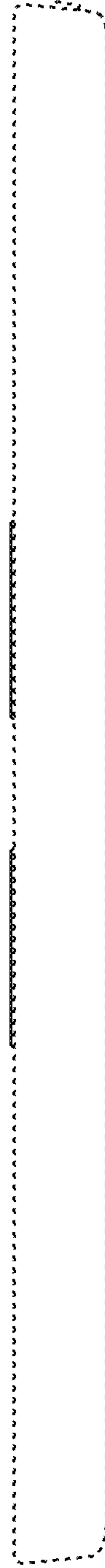
**FIG. 5**



**FIG. 6**



**FIG. 7**



**FIG. 8**