



US00D824380S

(12) **United States Design Patent**
Lee

(10) **Patent No.:** **US D824,380 S**
(45) **Date of Patent:** **** Jul. 31, 2018**

(54) **CAR MOUNT FOR ELECTRONIC DEVICE**

- (71) Applicant: **Bum Joon Lee**, Seoul (KR)
- (72) Inventor: **Bum Joon Lee**, Seoul (KR)
- (73) Assignee: **SPIGEN KOREA CO., LTD.**, Seoul (KR)
- (**) Term: **15 Years**
- (21) Appl. No.: **29/590,749**
- (22) Filed: **Jan. 12, 2017**

Related U.S. Application Data

- (63) Continuation of application No. 29/579,869, filed on Oct. 4, 2016.
- (51) **LOC (11) Cl.** **14-03**
- (52) **U.S. Cl.**
USPC **D14/253**
- (58) **Field of Classification Search**
USPC D14/253, 251, 252, 447, 451, 452, 440, D14/434, 458, 432, 439, 457, 460, 238.1, D14/140, 142, 149, 217, 148, 140.8, D14/140.11, 209.1, 151, 140.9; D13/107, D13/108; D12/415, 223, 114
CPC B60R 2011/0008; B60R 11/02; B60R 11/0241; B60R 11/0258; B60R 11/0252; B60R 2011/0294; F16M 11/00; F16M 11/04; F16M 11/041; F16M 11/02; F16M
(Continued)

(56) **References Cited**

U.S. PATENT DOCUMENTS

- D456,024 S 4/2002 Richter
 - 7,219,867 B2 5/2007 Kalis et al.
 - D545,825 S 7/2007 Richter
- (Continued)

OTHER PUBLICATIONS

Amazon, "TaoTronics Car Phone Mount Holder for Windshield and Dashboard—Extra Sticky Pad, Adjustable Viewing Angle, Suitable for Smartphone", https://www.amazon.com/TaoTronics%ADPhone%ADHolder%ADWindshield%ADDashboard/dp/B01JZA0IPM/ref=cm_cr_arp_d_product_top?ie=UTF8, Downloaded Feb. 7, 2017, 9 Pages.

(Continued)

Primary Examiner — Janice Hallmark

(74) *Attorney, Agent, or Firm* — Heedong Chae; Lucem, PC

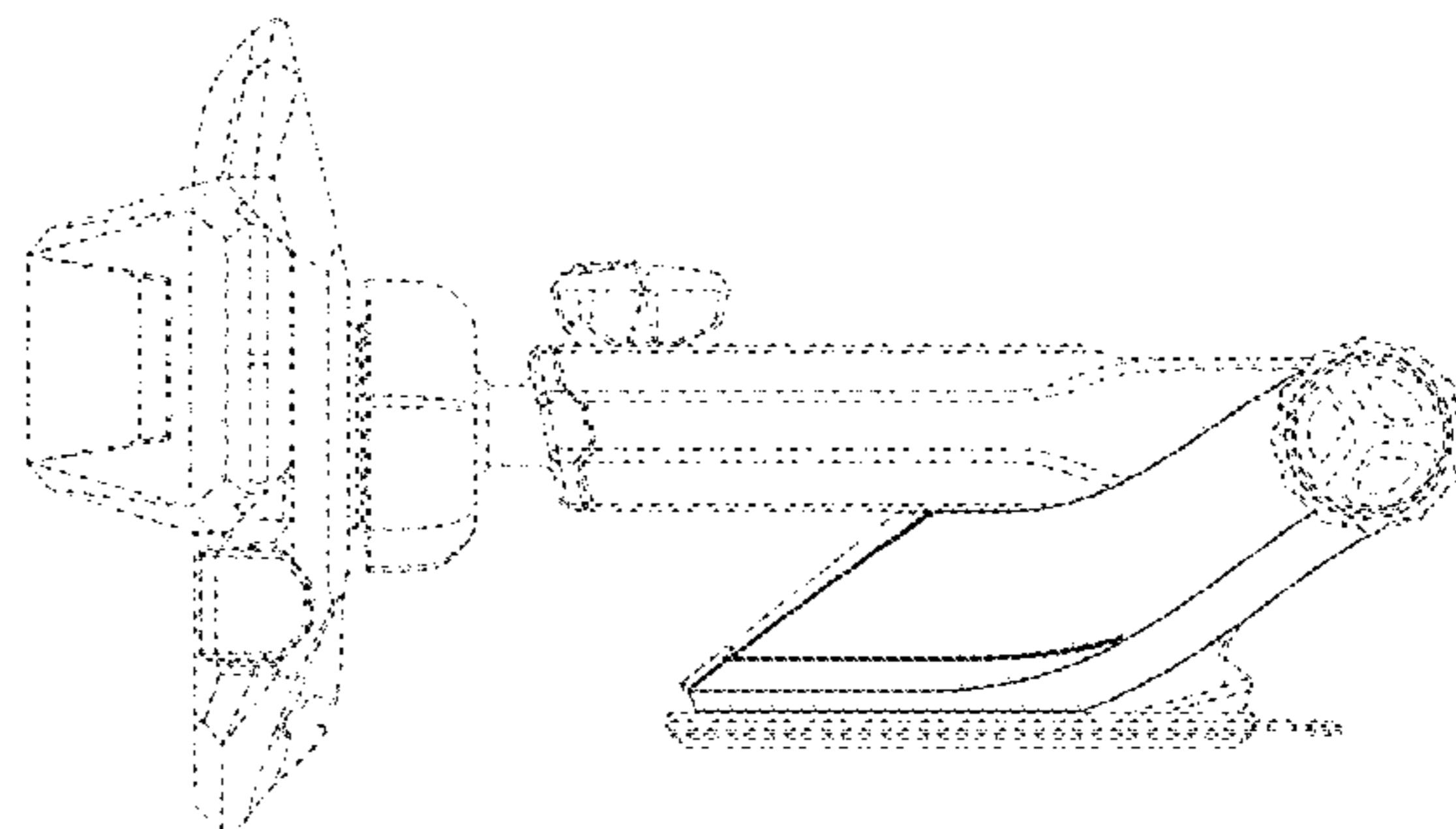
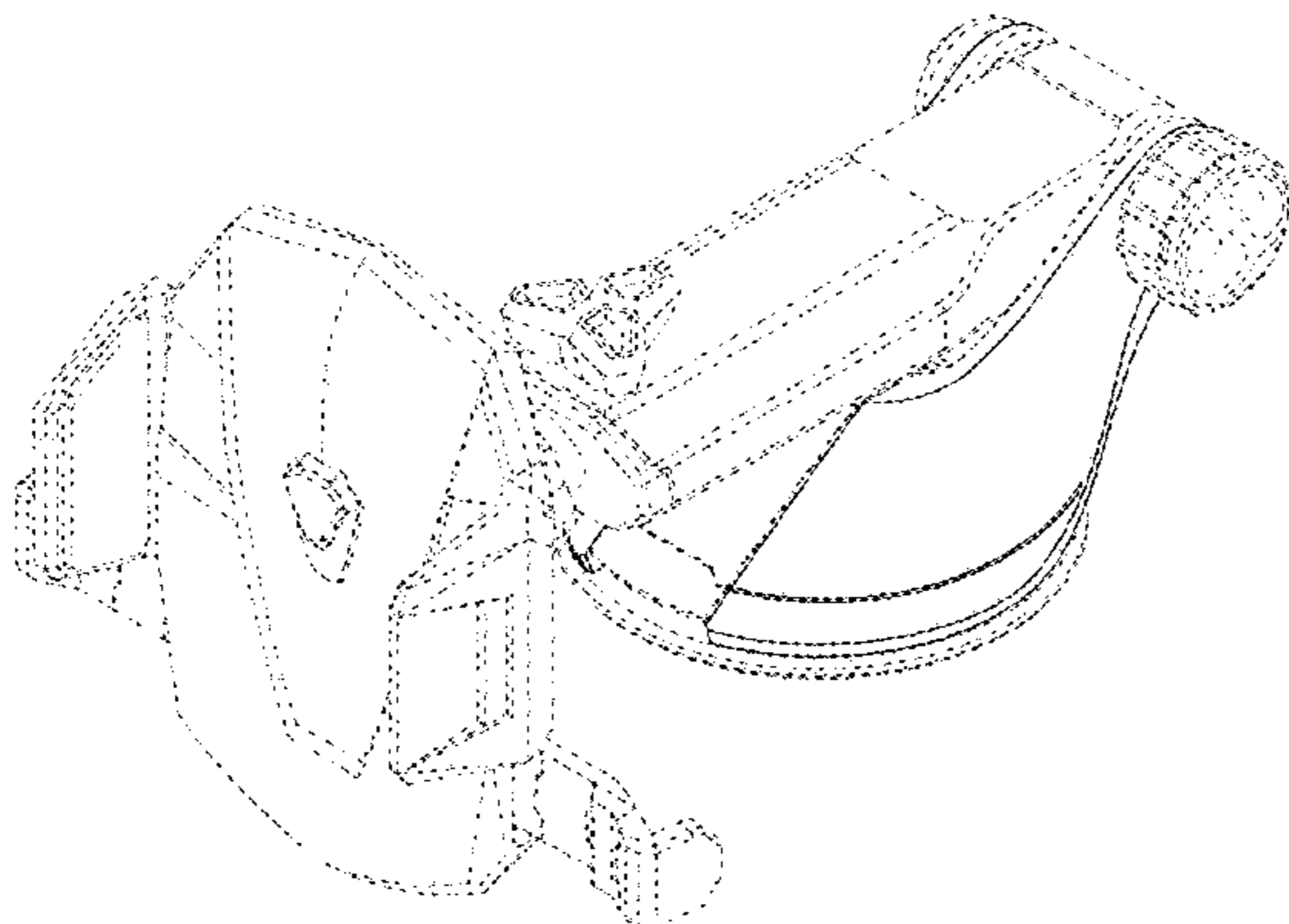
(57) **CLAIM**

The ornamental design for a car mount for electronic device, as shown and described.

DESCRIPTION

FIG. 1 is a front perspective view of a car mount for electronic device, showing my new design; FIG. 2 is a rear perspective view thereof; FIG. 3 is a front elevational view thereof; FIG. 4 is a left side elevational view thereof; FIG. 5 is a right side elevational view thereof; FIG. 6 is a top plan view thereof; FIG. 7 is a bottom plan view thereof; FIG. 8 is a front perspective view thereof, shown in a first alternate configuration with the arm portion of the car mount for electronic device rotated for clarity of disclosure; FIG. 9 is a front perspective view thereof, shown in a second alternate configuration with the arm portion of the car mount for electronic device rotated and extended for clarity of disclosure; and, FIG. 10 is a front perspective view thereof, shown in a third alternate configuration with the arm portion of the car mount for electronic device extended for clarity of disclosure. The broken lines illustrate portions of the magnetic mount for electronic device that form no part of the claimed design.

1 Claim, 10 Drawing Sheets



(58) **Field of Classification Search**
 CPC . 11/06; H04M 1/02; A47F 7/022; B62J 11/00
 See application file for complete search history.

(56) **References Cited**
 U.S. PATENT DOCUMENTS

D566,530 S * 4/2008 Brassard D8/363
 D566,647 S 4/2008 Lee
 7,475,858 B2 1/2009 Kalis et al.
 D588,903 S 3/2009 Carnevali
 D590,696 S 4/2009 Carnevali
 7,513,472 B2 4/2009 Yang
 D592,205 S 5/2009 O'Brien
 D603,322 S 11/2009 Nicieja
 D614,613 S 4/2010 Kim et al.
 D645,462 S 9/2011 Choi
 D650,372 S 12/2011 Molter
 8,091,843 B2 1/2012 Tsai
 D654,119 S 2/2012 Lin
 D654,120 S 2/2012 Lin
 D654,493 S 2/2012 Baumann et al.
 D655,283 S 3/2012 Richter
 D655,284 S 3/2012 Richter
 D655,692 S 3/2012 Silverman et al.
 D657,783 S 4/2012 Mo
 D681,028 S 4/2013 Richter
 D683,724 S 6/2013 Wada
 D685,379 S * 7/2013 Richter D14/253
 8,627,953 B1 1/2014 Yeo
 D705,211 S 5/2014 Huang
 D707,672 S 6/2014 Lai
 D708,603 S 7/2014 Kim
 D709,066 S 7/2014 Byun
 D709,074 S 7/2014 Tsui et al.
 D709,896 S 7/2014 McKinstry
 D713,837 S 9/2014 Kim
 D715,790 S 10/2014 Conomos et al.
 8,857,687 B1 10/2014 An
 D718,297 S 11/2014 Aspinall et al.
 D718,298 S 11/2014 Aspinall et al.
 8,967,561 B2 3/2015 Cheng et al.
 8,981,962 B2 3/2015 Fu
 8,998,048 B1 4/2015 Wu
 D729,815 S 5/2015 Anderson
 D730,723 S * 6/2015 McSweyn D8/363
 D732,013 S 6/2015 Aspinall et al.
 D732,519 S 6/2015 Aspinall et al.
 D748,098 S 1/2016 Khodapanah et al.

D750,612 S 3/2016 Chen
 D769,235 S 10/2016 Li
 D772,218 S 11/2016 Alesi et al.
 D784,923 S 4/2017 Song
 D792,418 S * 7/2017 Stener D14/451
 2005/0236536 A1 10/2005 Fan
 2008/0245935 A1 10/2008 Kaneda et al.
 2009/0050758 A1 2/2009 Carnevali
 2009/0108151 A1 4/2009 Carnevali
 2010/0252700 A1 10/2010 Wang
 2010/0295228 A1 * 11/2010 Woody B60R 11/0241
 269/254 R
 2010/0320341 A1 * 12/2010 Baumann B60R 11/0241
 248/206.2
 2012/0267406 A1 * 10/2012 Fan B60R 11/02
 224/482
 2014/0145051 A1 5/2014 Gwag
 2014/0176062 A1 * 6/2014 Jung B60R 11/02
 320/108

OTHER PUBLICATIONS

Amazon, "Car Mount PowerLead Chob BT11 Easy Touch Adjustable Universal Windshield/Dashboard Car Holder for iPhone 6s/6, Galaxy S7/S6—Black", https://www.amazon.com/PowerLead%ADBT11%ADAdjustable%ADUniversal%ADWindshield/dp/B01AC0W2Q2/?ref=cm_cr_arp_d_product_top?ie=UTF8, Downloaded Feb. 7, 2017, 7 Pages.
 Amazon, "iOttie Easy One Touch 3 (V2.0) Car Mount Universal Phone Holder for iPhone 7 Plus 6s Plus SE Samsung Galaxy S7 Edge S6 Edge Note 5—Retail Packaging—Black", https://www.amazon.com/iOttie%C2%ADUniversal-%C2%ADHolder%C2%ADSamsung%C2%ADPackaging/dp/B01BZC262Q/ref=pd_sim_107_8?encoding=UTF8&psc=1&refRID=P32NR1SQJ%E2%80%A6, Downloaded Feb. 7, 2017, 10 Pages.
 Amazon, "Anker Dashboard Cell Phone Mount, Windshield Car Mount, Phone Holder for iPhone 7/7 plus/6/6s/6Plus/6s Plus, Samsung S6/edge/S7/S7 edge, Note 5, LG G5, Nexus 5X/6/6P, HTC and Other Smartphones", https://www.amazon.com/iOttie%C2%ADUniversal%C2%ADHolder%C2%ADSamsung%C2%ADPackaging/dp/B01BZC262Q/ref=pd_sim_107_8?encoding=UTF8&psc=1&refRID=P32NR1SQJ%E2%80%A6, Downloaded Feb. 7, 2017, 8 Pages.

* cited by examiner

FIG. 1

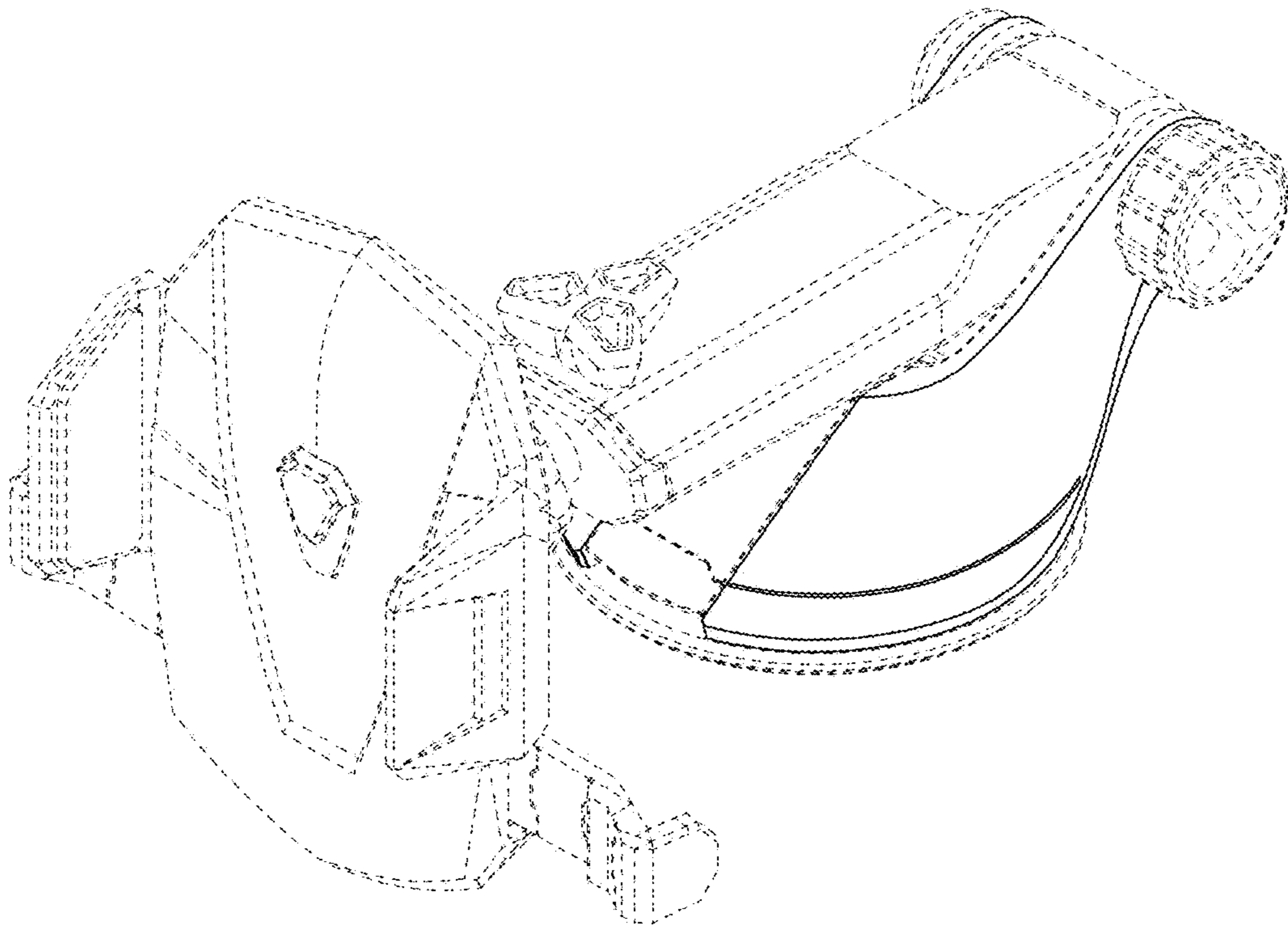


FIG. 2

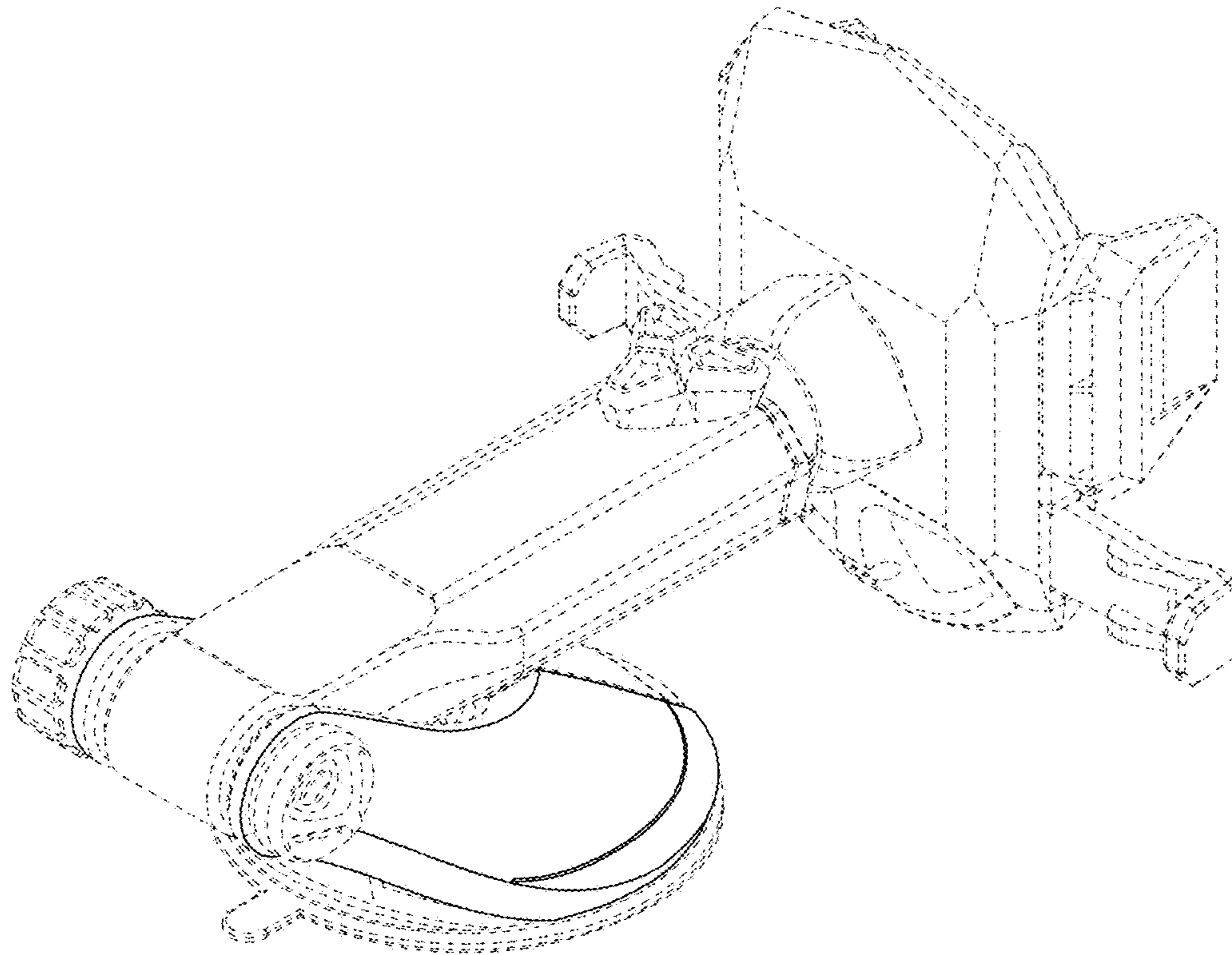


FIG. 3

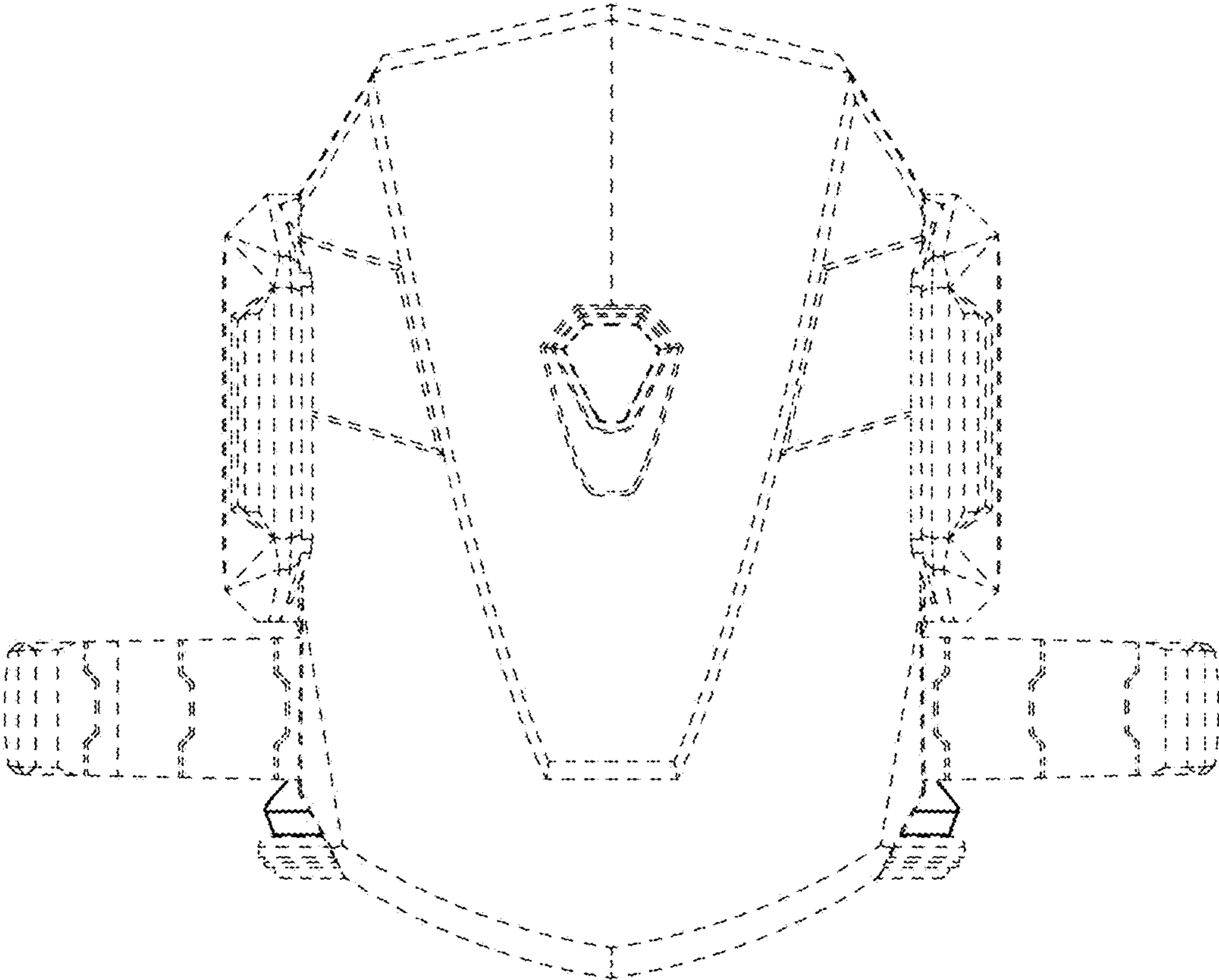


FIG. 4

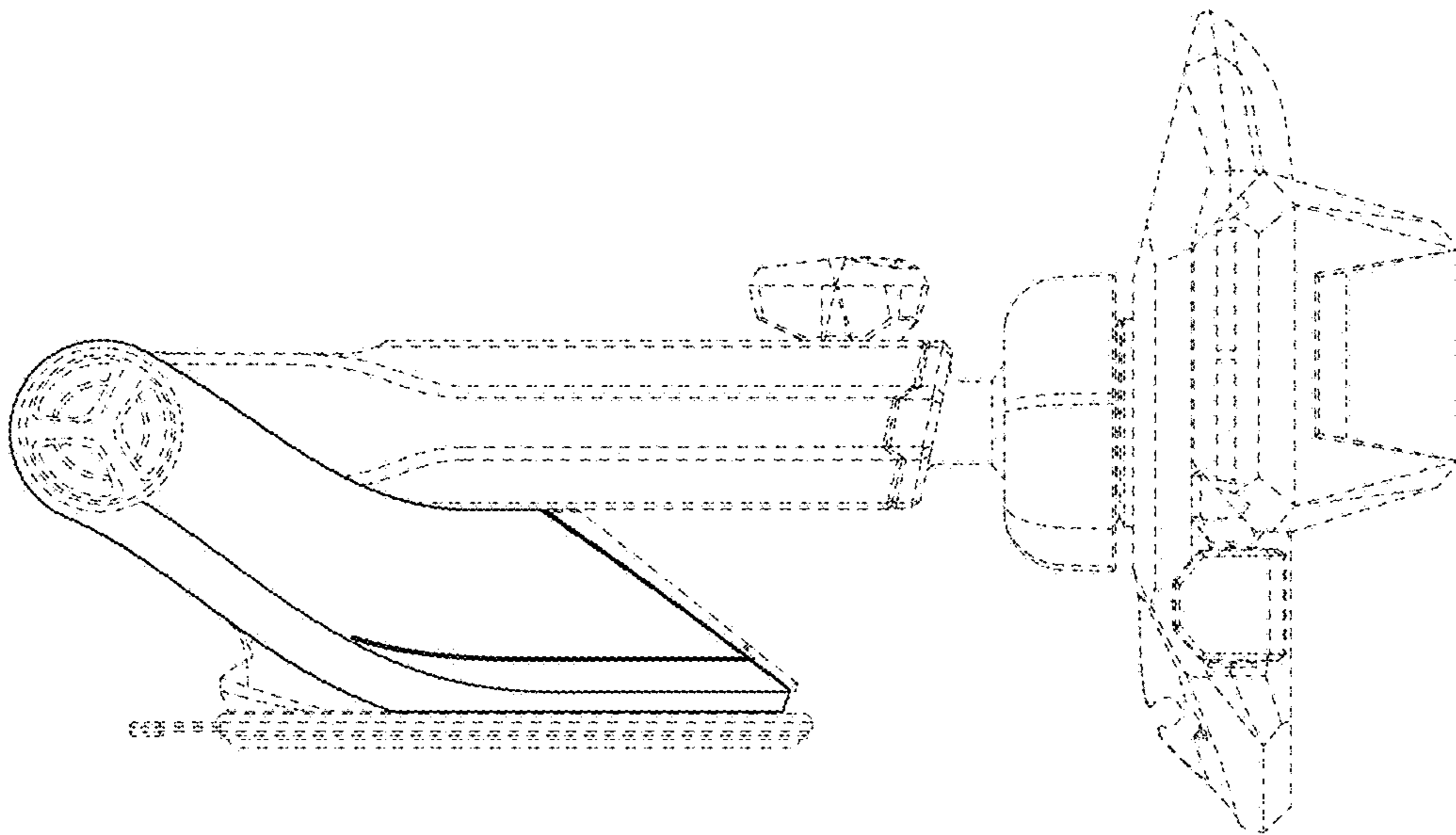


FIG. 5

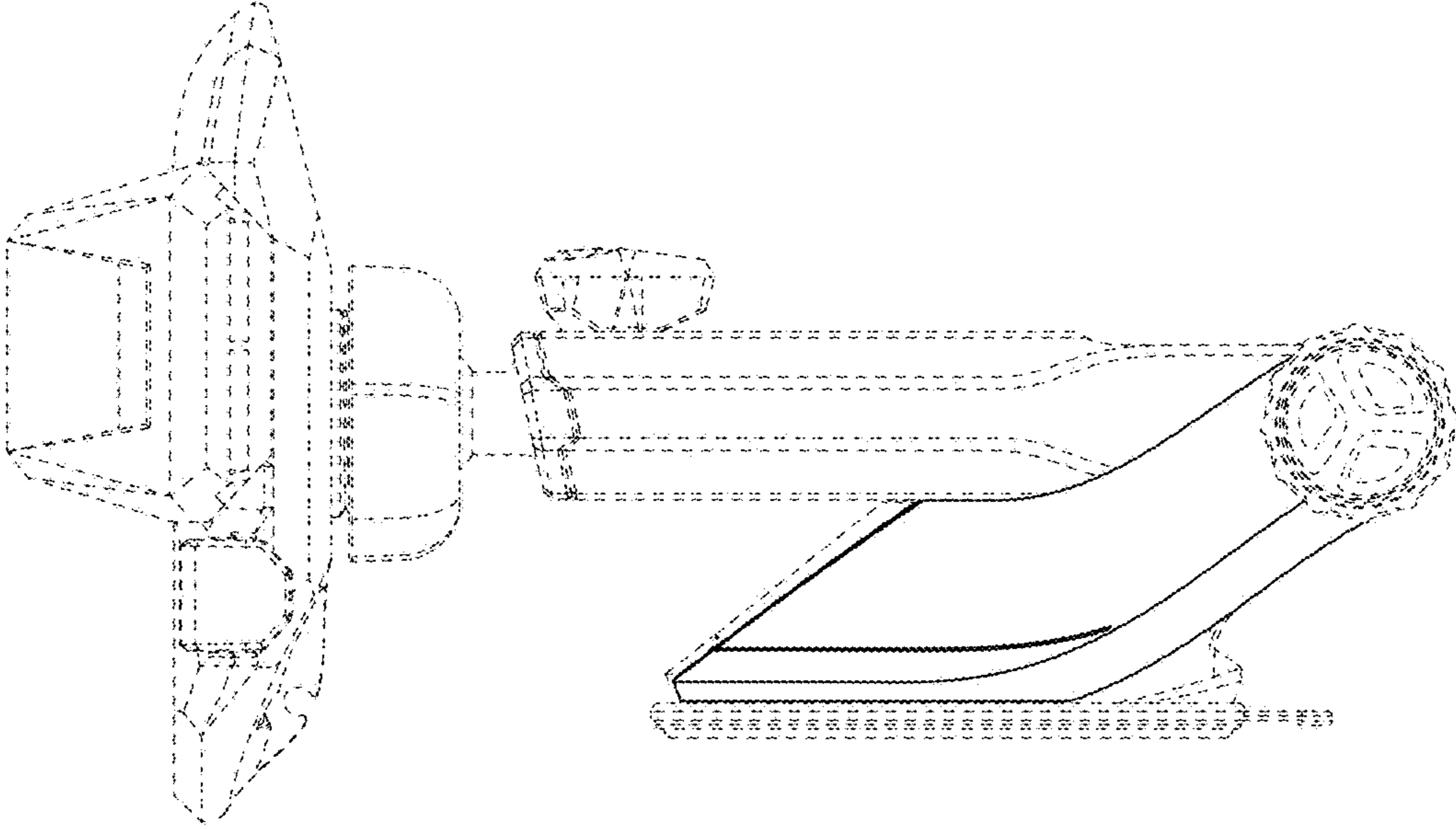


FIG. 6

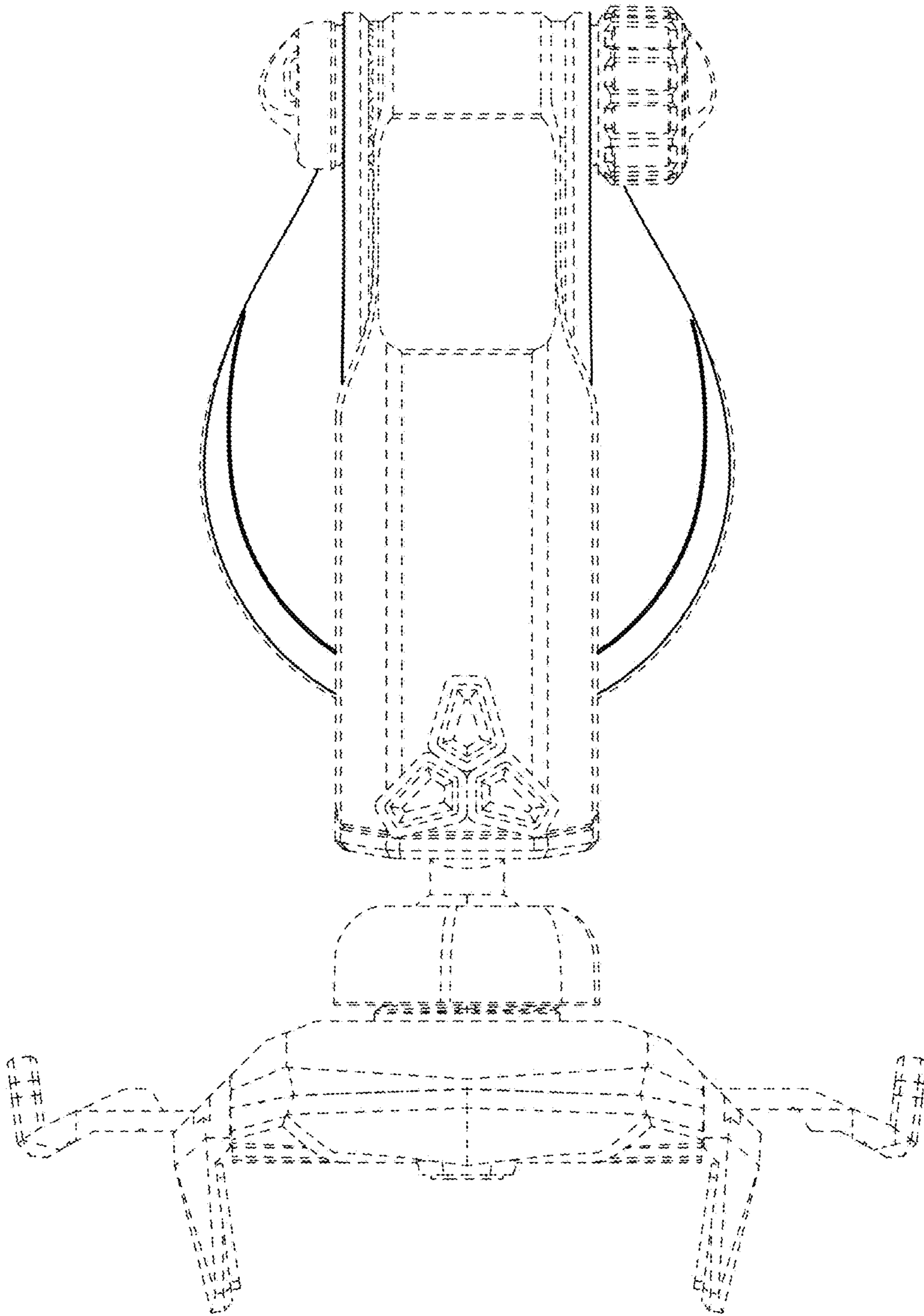


FIG. 7

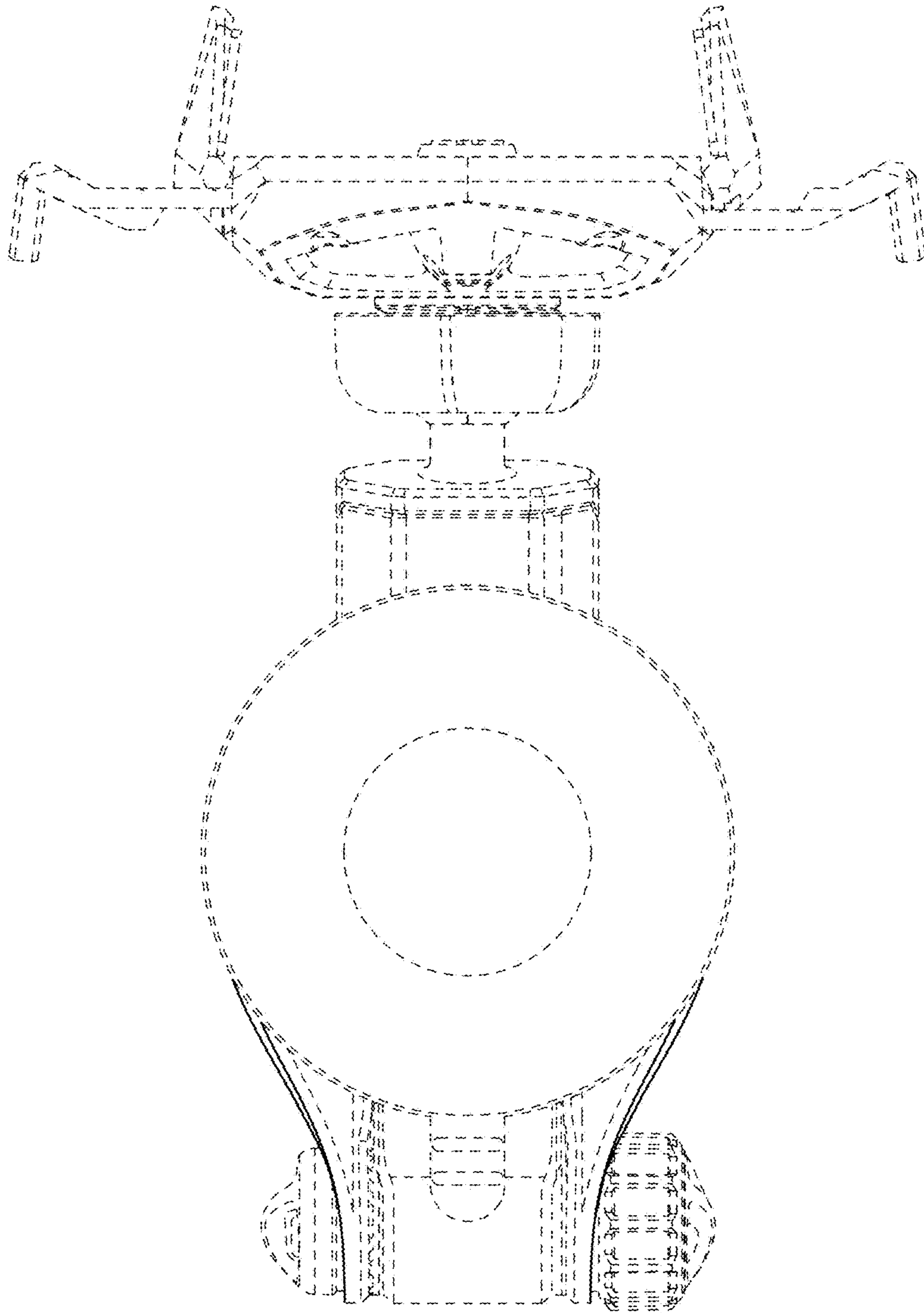


FIG. 8

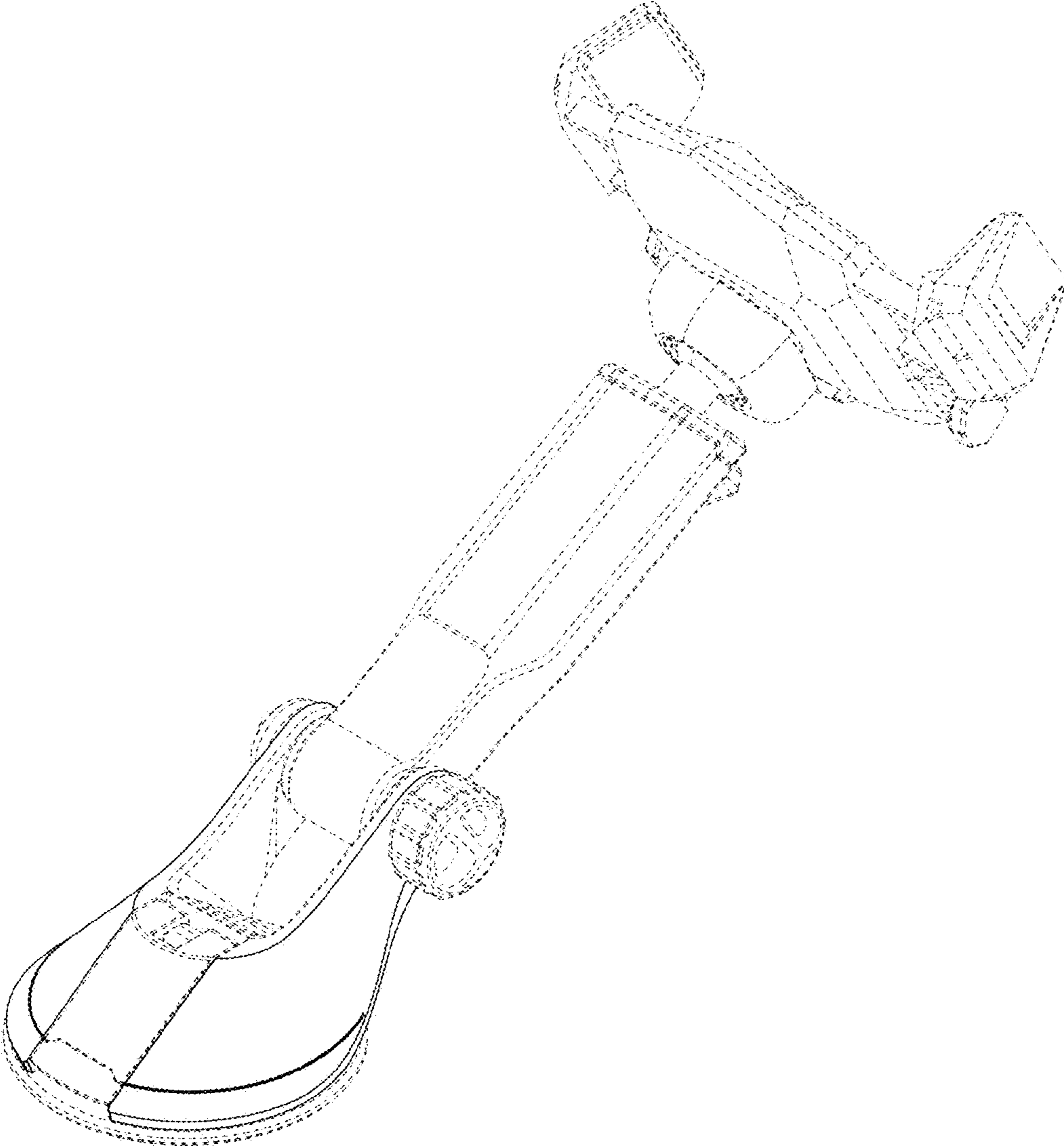


FIG. 9

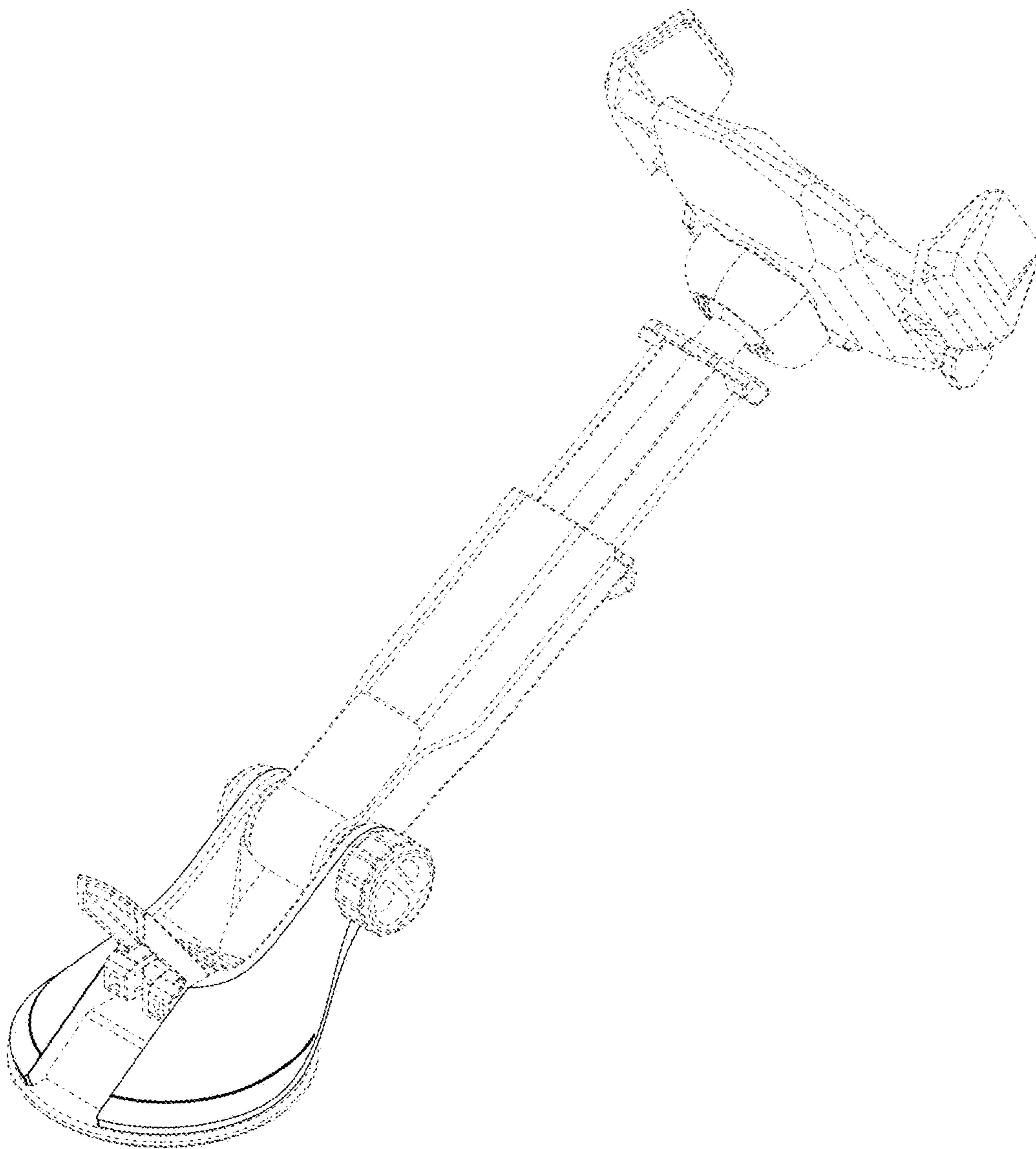


FIG. 10

