

US00D824379S

(12) **United States Design Patent**
Symons

(10) **Patent No.:** **US D824,379 S**
(45) **Date of Patent:** **** Jul. 31, 2018**

(54) **PHONE HOLDER**

7/022; B62J 11/00; H05K 7/00; G03B
17/56

(71) Applicant: **Bluelounge Pte. Ltd.**, Wilkie Edge
(SG)

See application file for complete search history.

(72) Inventor: **Dominic Symons**, Wilkie Edge (SG)

(56) **References Cited**

(73) Assignee: **Advantus, Corp.**, Jacksonville, FL
(US)

U.S. PATENT DOCUMENTS

D674,381 S * 1/2013 Ma D14/253
D690,707 S 10/2013 Minn
D713,399 S * 9/2014 Green D14/253
D718,926 S * 12/2014 Minn D3/218

(**) Term: **15 Years**

(Continued)

(21) Appl. No.: **29/589,168**

OTHER PUBLICATIONS

(22) Filed: **Dec. 28, 2016**

bedbathandbeyond.com, Dec. 21, 2016, Internet printout: <https://www.bedbathandbeyond.com/store/product/sharper-image-re...device=c&matchtype=&network=s&gclid=CMLs-7jRhtECFQqtaQoddk8NZA>.

(51) **LOC (11) Cl.** **14-03**

(Continued)

(52) **U.S. Cl.**

USPC **D14/253**

Primary Examiner — Janice Hallmark

(58) **Field of Classification Search**

(74) *Attorney, Agent, or Firm* — Todd R. Miller

USPC D14/251–253, 447, 451, 452, 440, 434,
D14/458, 432, 439, 457, 460, 238.1, 140,
D14/142, 149, 217, 148, 140.8, 140.11,
D14/209.1, 151, 140.9, 250, 238;
D13/107, 108; D12/415, 223, 114, 420,
D12/417, 407, 177; D3/218;
D16/242–245, 250, 237, 203, 214, 219;
D8/349; D6/675, 672, 673, 675.4, 553,
D6/676, 310, 406.3, 406.4, 406.5, 406.6,
D6/407, 567, 300, 682.3; 248/459, 460;
224/483

(57) **CLAIM**

The ornamental design for a phone holder, as shown and described.

CPC B60R 2011/0008; B60R 11/02; B60R
11/0241; B60R 11/0258; B60R 11/0252;
B60R 2011/0294; F16M 11/00; F16M
11/04; F16M 11/041; F16M 11/02; F16M
11/06; F16M 13/00; H04M 1/02; H04M
1/04; H04M 1/11; H04M 1/12; A47F

DESCRIPTION

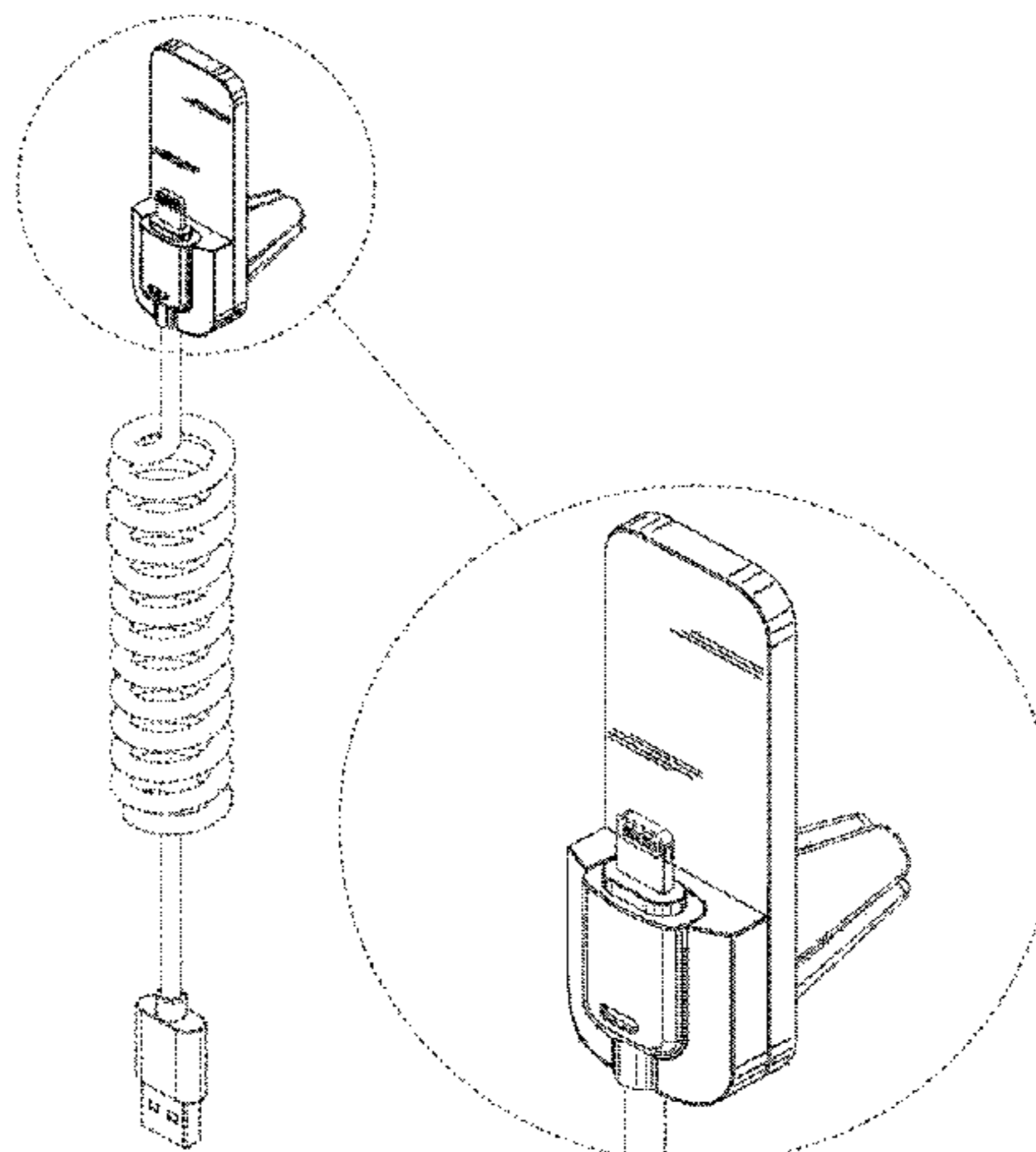
FIG. 1 is a front view of the phone holder showing my new design, with a detail view of the portion of the phone holder shown encircled by a dash-dot-dash line;

FIG. 2 is a side view thereof, with a detail view of the portion of the phone holder shown encircled by a dash-dot-dash line;

FIG. 3 is a top view thereof, with a detail view of the portion of the phone holder shown encircled by a dash-dot-dash line; FIG. 4 is a perspective view thereof, with a detail view of the portion of the phone holder shown encircled by a dash-dot-dash line; and,

FIG. 5 is another perspective view of the phone holder, shown in an alternate configuration for clarity of disclosure,

(Continued)



with a detail view of the portion of the phone holder shown encircled by a dash-dot-dash line.

The dash-dash broken lines in the drawings depict environmental subject matter only and the dash-dot-dash broken lines indicate the portion of the phone holder shown in detail views; all broken lines form no part of the claimed design.

1 Claim, 5 Drawing Sheets

(56)

References Cited

U.S. PATENT DOCUMENTS

D725,646	S	3/2015	Minn	
D729,248	S *	5/2015	Porter D14/434
9,080,714	B2	7/2015	Minn	
D750,633	S	3/2016	Minn	
D757,705	S *	5/2016	Esses D14/251
D765,070	S	8/2016	Franklin	
D768,125	S *	10/2016	Kim D14/253
D772,216	S *	11/2016	Lau D13/108
9,543,082	B1 *	1/2017	Wengreen F16M 13/02

D780,168	S *	2/2017	Du D14/253
D782,462	S *	3/2017	Huang D14/253
2014/0138419	A1 *	5/2014	Minn B60R 11/0241 224/567
2016/0165025	A1 *	6/2016	Sheu H04M 1/04 455/557

OTHER PUBLICATIONS

amazon.com, Dec. 21, 2016, Internet printout: <https://www.amazon.com/U-good-Release-Rotating-Samsung-Motorol...s&ie=UTF8&qid=1482370101&sr=1-23&keywords=car+vent+phone+mount>.
amazon.com, Dec. 21, 2016, Internet printout: <https://www.amazon.com/Mobile-Holder-Secure-Windshield-Adjustabl...qid=1482370101&sr=1-1-spons&keywords=car+vent+phone+mount&psc=1>.
amazon.com, Dec. 21, 2016, Internet printout: <https://www.amazon.com/Belkin-Smartphones-including-Samsung-IP...ss&ie=UTF8&qid=1482370101&sr=1-6&keywords=car+vent+phone+mount>.
amazon.com, Dec. 21, 2016, Internet printout: <https://www.amazon.com/AVANTEK-Universal-Phone-Holder-Cradle/d...ss&ie=UTF8&qid=1482370101&sr=1-4&keywords=car+vent+phone+mount>.

* cited by examiner

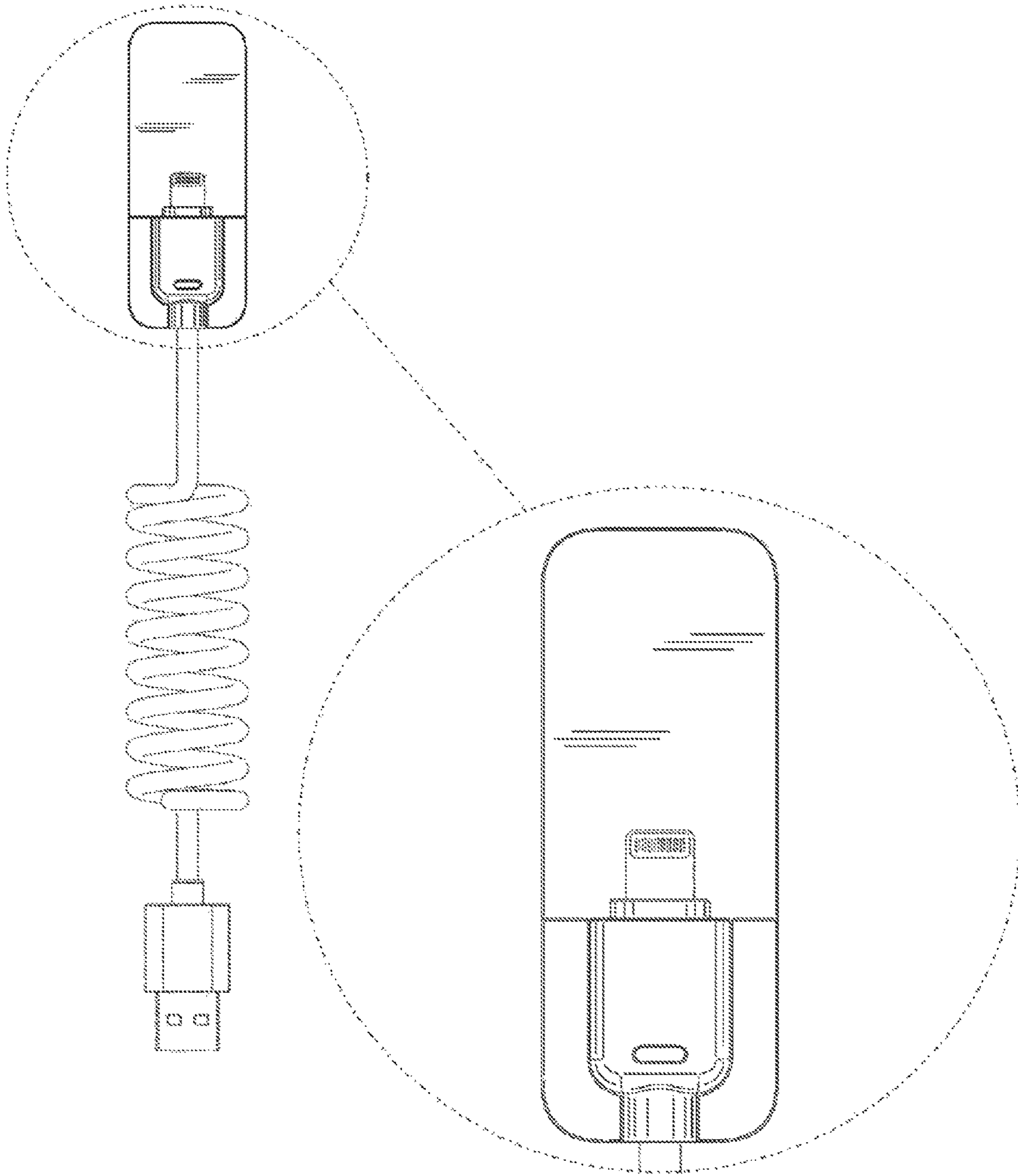


FIG. 1

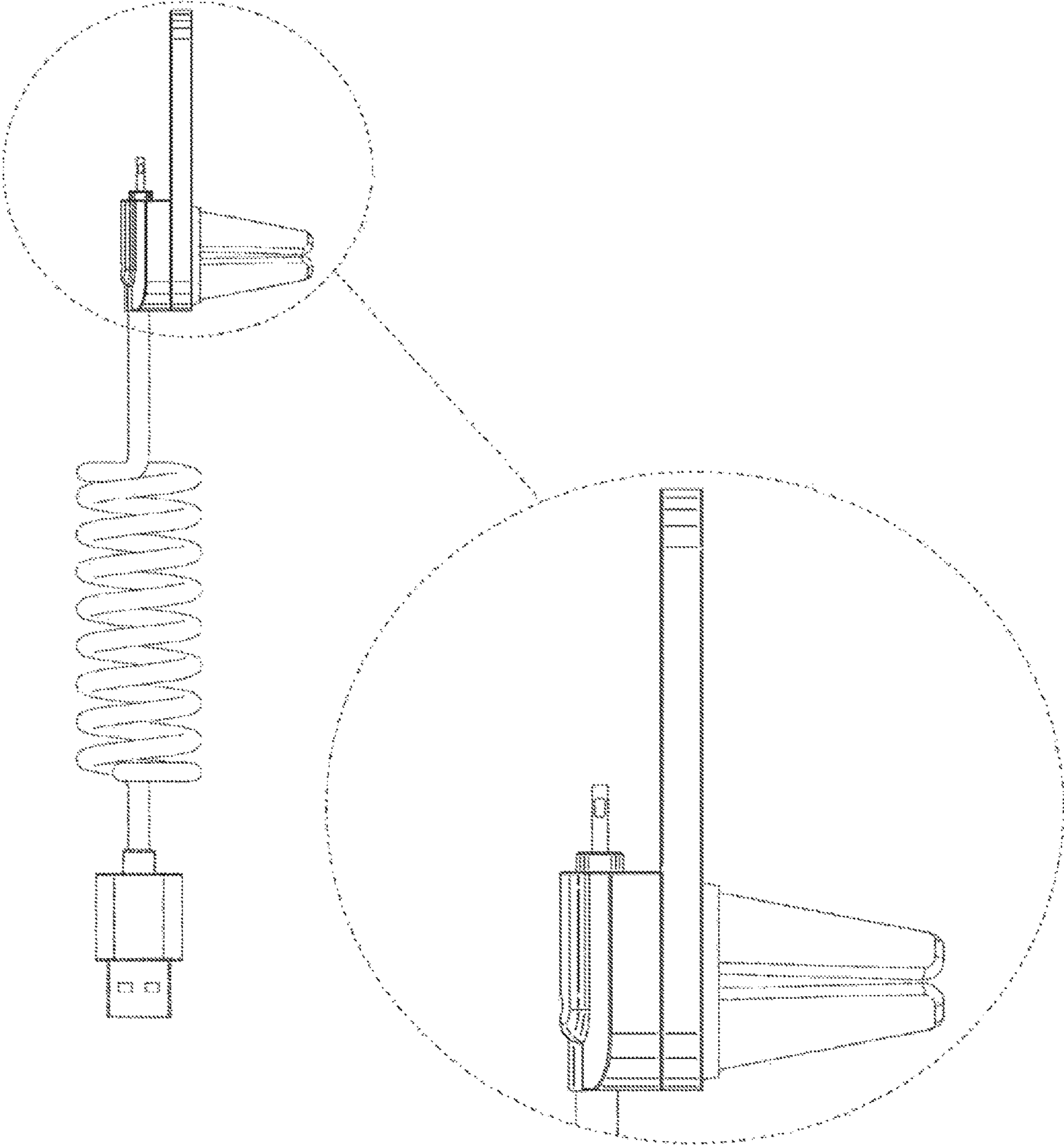


FIG. 2

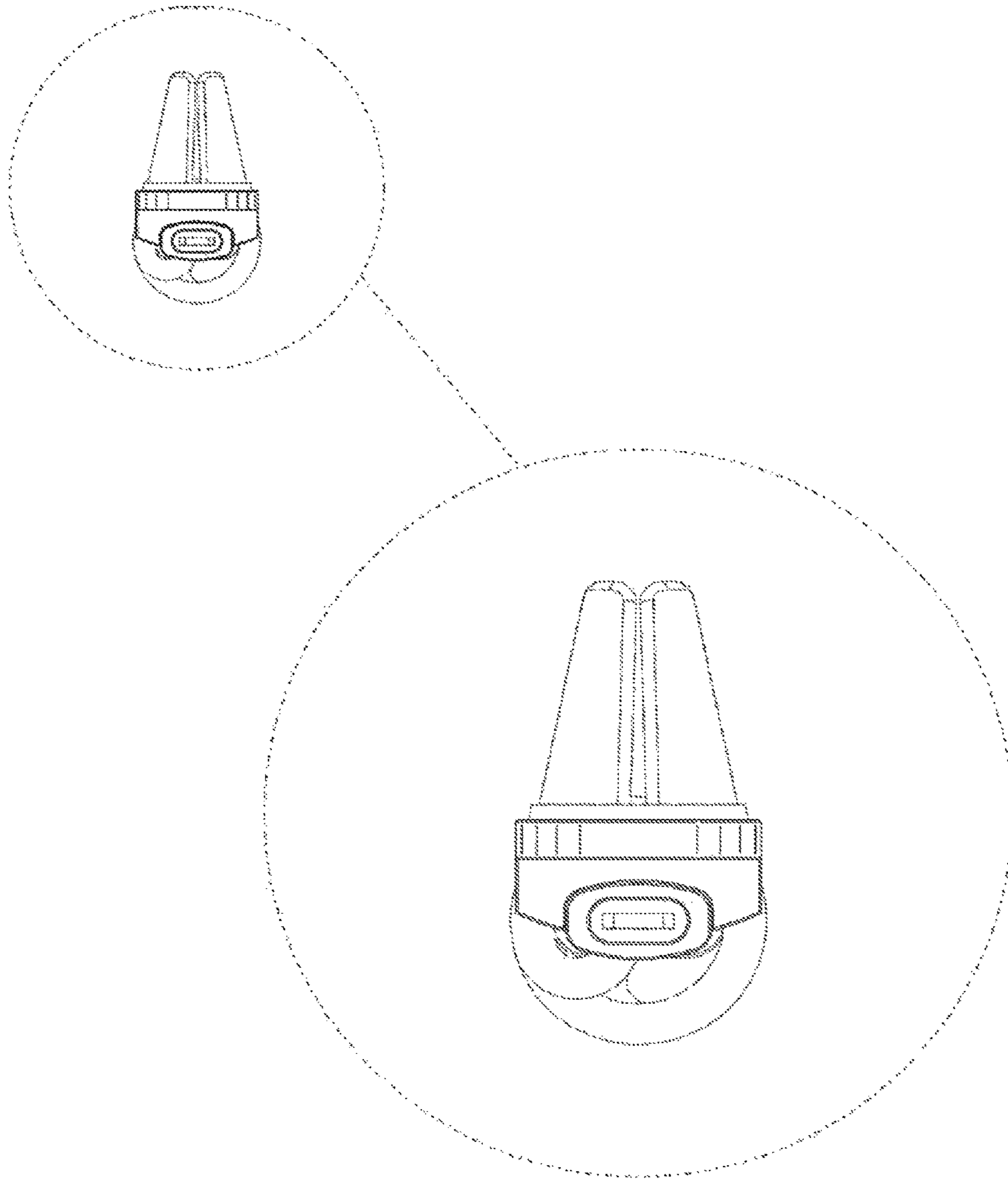


FIG. 3

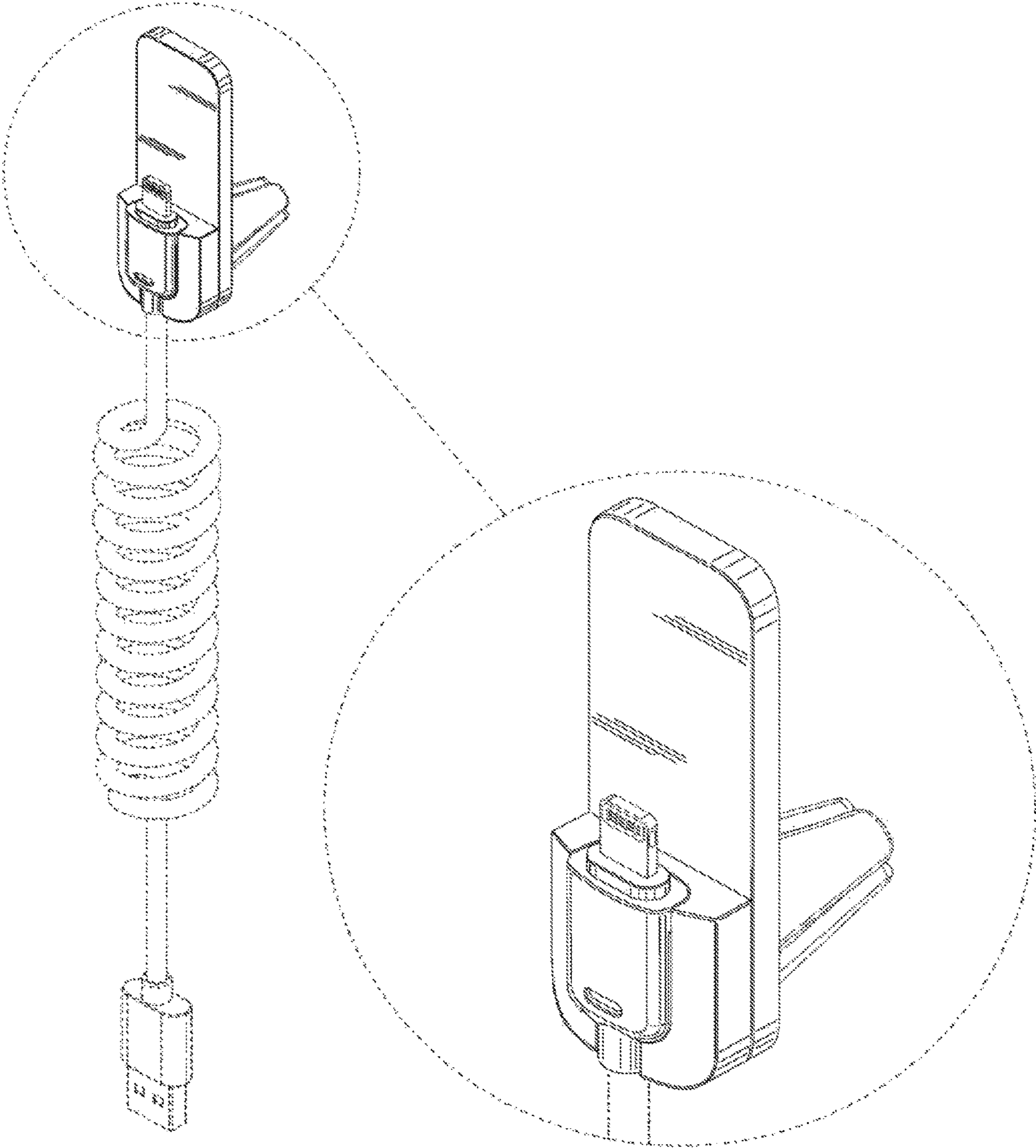


FIG. 4

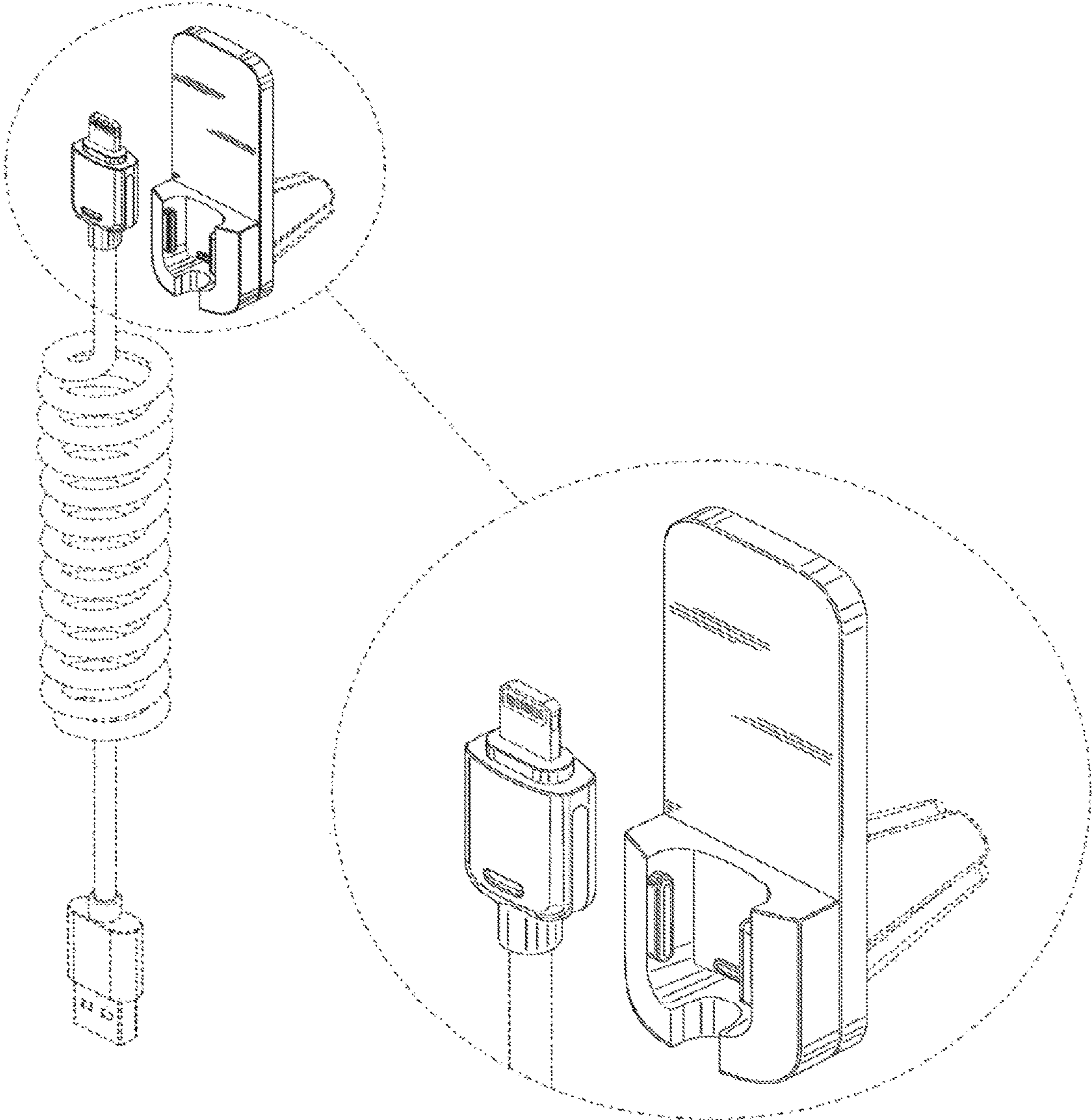


FIG. 5